

**LM158,LM258,LM2904,LM358**

*LM158/LM258/LM358/LM2904 Low Power Dual Operational Amplifiers*

# Datasheet.Directory



Literature Number: SNOSBT3G

# LM158/LM258/LM358/LM2904

## Low Power Dual Operational Amplifiers

### General Description

The LM158 series consists of two independent, high gain, internally frequency compensated operational amplifiers which were designed specifically to operate from a single power supply over a wide range of voltages. Operation from split power supplies is also possible and the low power supply current drain is independent of the magnitude of the power supply voltage.

Application areas include transducer amplifiers, dc gain blocks and all the conventional op amp circuits which now can be more easily implemented in single power supply systems. For example, the LM158 series can be directly operated off of the standard +5V power supply voltage which is used in digital systems and will easily provide the required interface electronics without requiring the additional  $\pm 15V$  power supplies.

The LM358 and LM2904 are available in a chip sized package (8-Bump micro SMD) using National's micro SMD package technology.

### Unique Characteristics

- In the linear mode the input common-mode voltage range includes ground and the output voltage can also swing to ground, even though operated from only a single power supply voltage.
- The unity gain cross frequency is temperature compensated.
- The input bias current is also temperature compensated.

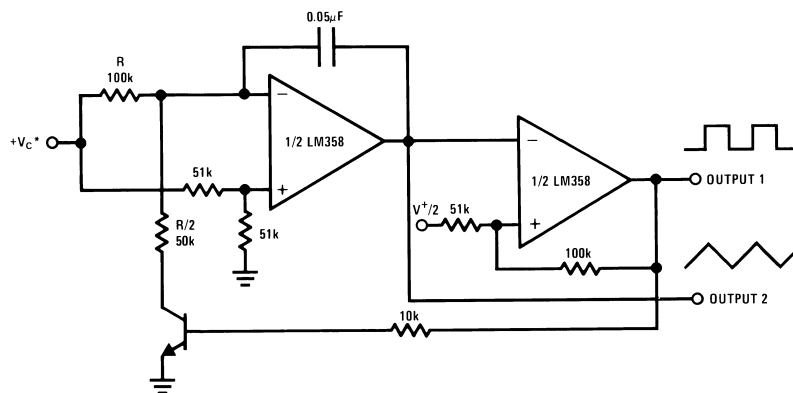
### Advantages

- Two internally compensated op amps
- Eliminates need for dual supplies
- Allows direct sensing near GND and  $V_{OUT}$  also goes to GND
- Compatible with all forms of logic
- Power drain suitable for battery operation

### Features

- Available in 8-Bump micro SMD chip sized package, (See AN-1112)
- Internally frequency compensated for unity gain
- Large dc voltage gain: 100 dB
- Wide bandwidth (unity gain): 1 MHz (temperature compensated)
- Wide power supply range:
  - Single supply: 3V to 32V
  - or dual supplies:  $\pm 1.5V$  to  $\pm 16V$
- Very low supply current drain (500  $\mu A$ )—essentially independent of supply voltage
- Low input offset voltage: 2 mV
- Input common-mode voltage range includes ground
- Differential input voltage range equal to the power supply voltage
- Large output voltage swing

### Voltage Controlled Oscillator (VCO)



00778723

**Absolute Maximum Ratings** (Note 9)

If Military/Aerospace specified devices are required,  
please contact the National Semiconductor Sales Office/

Distributors for availability and specifications.

	LM158/LM258/LM358 LM158A/LM258A/LM358A	LM2904
Supply Voltage, V <sup>+</sup>	32V	26V
Differential Input Voltage	32V	26V
Input Voltage	-0.3V to +32V	-0.3V to +26V
Power Dissipation (Note 1)		
Molded DIP	830 mW	830 mW
Metal Can	550 mW	
Small Outline Package (M)	530 mW	530 mW
micro SMD	435mW	
Output Short-Circuit to GND (One Amplifier) (Note 2)		
V <sup>+</sup> ≤ 15V and T <sub>A</sub> = 25°C	Continuous	Continuous
Input Current (V <sub>IN</sub> < -0.3V) (Note 3)	50 mA	50 mA
Operating Temperature Range		
LM358	0°C to +70°C	-40°C to +85°C
LM258	-25°C to +85°C	
LM158	-55°C to +125°C	
Storage Temperature Range	-65°C to +150°C	-65°C to +150°C
Lead Temperature, DIP (Soldering, 10 seconds)	260°C	260°C
Lead Temperature, Metal Can (Soldering, 10 seconds)	300°C	300°C
Soldering Information		
Dual-In-Line Package		
Soldering (10 seconds)	260°C	260°C
Small Outline Package		
Vapor Phase (60 seconds)	215°C	215°C
Infrared (15 seconds)	220°C	220°C
See AN-450 "Surface Mounting Methods and Their Effect on Product Reliability" for other methods of soldering surface mount devices.		
ESD Tolerance (Note 10)	250V	250V

**Electrical Characteristics**

V<sup>+</sup> = +5.0V, unless otherwise stated

Parameter	Conditions	LM158A		LM358A		LM158/LM258		Units
		Min	Typ Max	Min	Typ Max	Min	Typ Max	
Input Offset Voltage	(Note 5), T <sub>A</sub> = 25°C	1	2	2	3	2	5	mV
Input Bias Current	I <sub>IN(+)</sub> or I <sub>IN(-)</sub> , T <sub>A</sub> = 25°C, V <sub>CM</sub> = 0V, (Note 6)	20	50	45	100	45	150	nA
Input Offset Current	I <sub>IN(+)</sub> - I <sub>IN(-)</sub> , V <sub>CM</sub> = 0V, T <sub>A</sub> = 25°C	2	10	5	30	3	30	nA
Input Common-Mode Voltage Range	V <sup>+</sup> = 30V, (Note 7) (LM2904, V <sup>+</sup> = 26V), T <sub>A</sub> = 25°C	0	V <sup>+</sup> -1.5	0	V <sup>+</sup> -1.5	0	V <sup>+</sup> -1.5	V
Supply Current	Over Full Temperature Range R <sub>L</sub> = ∞ on All Op Amps V <sup>+</sup> = 30V (LM2904 V <sup>+</sup> = 26V) V <sup>+</sup> = 5V	1	2	1	2	1	2	mA
		0.5	1.2	0.5	1.2	0.5	1.2	mA

## Electrical Characteristics

$V^+ = +5.0V$ , unless otherwise stated

Parameter	Conditions	LM358			LM2904			Units
		Min	Typ	Max	Min	Typ	Max	
Input Offset Voltage	(Note 5), $T_A = 25^\circ C$		2	7		2	7	mV
Input Bias Current	$I_{IN(+)}$ or $I_{IN(-)}$ , $T_A = 25^\circ C$ , $V_{CM} = 0V$ , (Note 6)		45	250		45	250	nA
Input Offset Current	$I_{IN(+)} - I_{IN(-)}$ , $V_{CM} = 0V$ , $T_A = 25^\circ C$		5	50		5	50	nA
Input Common-Mode Voltage Range	$V^+ = 30V$ , (Note 7) (LM2904, $V^+ = 26V$ ), $T_A = 25^\circ C$	0		$V^+ - 1.5$	0		$V^+ - 1.5$	V
Supply Current	Over Full Temperature Range $R_L = \infty$ on All Op Amps $V^+ = 30V$ (LM2904 $V^+ = 26V$ ) $V^+ = 5V$		1 0.5	2 1.2		1 0.5	2 1.2	mA mA

## Electrical Characteristics

$V^+ = +5.0V$ , (Note 4), unless otherwise stated

Parameter	Conditions	LM158A			LM358A			LM158/LM258			Units
		Min	Typ	Max	Min	Typ	Max	Min	Typ	Max	
Large Signal Voltage Gain	$V^+ = 15V$ , $T_A = 25^\circ C$ , $R_L \geq 2 k\Omega$ , (For $V_O = 1V$ to $11V$ )	50	100		25	100		50	100		V/mV
Common-Mode Rejection Ratio	$T_A = 25^\circ C$ , $V_{CM} = 0V$ to $V^+ - 1.5V$	70	85		65	85		70	85		dB
Power Supply Rejection Ratio	$V^+ = 5V$ to $30V$ (LM2904, $V^+ = 5V$ to $26V$ ), $T_A = 25^\circ C$	65	100		65	100		65	100		dB
Amplifier-to-Amplifier Coupling	$f = 1 kHz$ to $20 kHz$ , $T_A = 25^\circ C$ (Input Referred), (Note 8)		-120			-120			-120		dB
Output Current	Source $V_{IN^+} = 1V$ , $V_{IN^-} = 0V$ , $V^+ = 15V$ , $V_O = 2V$ , $T_A = 25^\circ C$	20	40		20	40		20	40		mA
	Sink $V_{IN^-} = 1V$ , $V_{IN^+} = 0V$ $V^+ = 15V$ , $T_A = 25^\circ C$ , $V_O = 2V$	10	20		10	20		10	20		mA
	$V_{IN^-} = 1V$ , $V_{IN^+} = 0V$ $T_A = 25^\circ C$ , $V_O = 200 mV$ , $V^+ = 15V$	12	50		12	50		12	50		$\mu A$
Short Circuit to Ground	$T_A = 25^\circ C$ , (Note 2), $V^+ = 15V$		40	60		40	60		40	60	mA
Input Offset Voltage	(Note 5)		4			5			7		mV
Input Offset Voltage Drift	$R_S = 0\Omega$		7	15		7	20		7		$\mu V/^\circ C$
Input Offset Current	$I_{IN(+)} - I_{IN(-)}$		30			75			100		nA
Input Offset Current Drift	$R_S = 0\Omega$		10	200		10	300		10		$pA/^\circ C$
Input Bias Current	$I_{IN(+)}$ or $I_{IN(-)}$		40	100		40	200		40	300	nA
Input Common-Mode Voltage Range	$V^+ = 30V$ , (Note 7) (LM2904, $V^+ = 26V$ )	0		$V^+ - 2$	0		$V^+ - 2$	0		$V^+ - 2$	V

**Electrical Characteristics** (Continued) $V^+ = +5.0V$ , (Note 4), unless otherwise stated

Parameter	Conditions	LM158A			LM358A			LM158/LM258			Units	
		Min	Typ	Max	Min	Typ	Max	Min	Typ	Max		
Large Signal Voltage Gain	$V^+ = +15V$ ( $V_O = 1V$ to $11V$ ) $R_L \geq 2 k\Omega$	25			15			25			V/mV	
Output Voltage Swing	$V_{OH}$	$V^+ = +30V$ (LM2904, $V^+ = 26V$ ) $R_L = 2 k\Omega$			26			26			V	
	$V_{OL}$	$R_L = 10 k\Omega$			27 28			27 28			V	
Output Current	$V^+ = 5V$ , $R_L = 10 k\Omega$	5 20			5 20			5 20			mV	
Output Current	Source	$V_{IN^+} = +1V$ , $V_{IN^-} = 0V$ , $V^+ = 15V$ , $V_O = 2V$			10 20			10 20			mA	
	Sink	$V_{IN^-} = +1V$ , $V_{IN^+} = 0V$ , $V^+ = 15V$ , $V_O = 2V$			10 15			5 8			mA	

**Electrical Characteristics** $V^+ = +5.0V$ , (Note 4), unless otherwise stated

Parameter	Conditions	LM358			LM2904			Units				
		Min	Typ	Max	Min	Typ	Max					
Large Signal Voltage Gain	$V^+ = 15V$ , $T_A = 25^\circ C$ , $R_L \geq 2 k\Omega$ , (For $V_O = 1V$ to $11V$ )	25 100			25 100			V/mV				
Common-Mode Rejection Ratio	$T_A = 25^\circ C$ , $V_{CM} = 0V$ to $V^+ - 1.5V$	65 85			50 70			dB				
Power Supply Rejection Ratio	$V^+ = 5V$ to $30V$ (LM2904, $V^+ = 5V$ to $26V$ ), $T_A = 25^\circ C$	65 100			50 100			dB				
Amplifier-to-Amplifier Coupling	$f = 1 kHz$ to $20 kHz$ , $T_A = 25^\circ C$ (Input Referred), (Note 8)	-120			-120			dB				
Output Current	Source	$V_{IN^+} = 1V$ , $V_{IN^-} = 0V$ , $V^+ = 15V$ , $V_O = 2V$ , $T_A = 25^\circ C$			20 40			20 40		mA		
	Sink	$V_{IN^-} = 1V$ , $V_{IN^+} = 0V$ $V^+ = 15V$ , $T_A = 25^\circ C$ , $V_O = 2V$			10 20			10 20			mA	
		$V_{IN^-} = 1V$ , $V_{IN^+} = 0V$ $T_A = 25^\circ C$ , $V_O = 200 mV$ , $V^+ = 15V$			12 50			12 50			$\mu A$	
Short Circuit to Ground	$T_A = 25^\circ C$ , (Note 2), $V^+ = 15V$	40 60			40 60			mA				
Input Offset Voltage	(Note 5)	9			10			mV				
Input Offset Voltage Drift	$R_S = 0\Omega$	7			7			$\mu V/^\circ C$				
Input Offset Current	$I_{IN(+)} - I_{IN(-)}$	150			45 200			nA				
Input Offset Current Drift	$R_S = 0\Omega$	10			10			$pA/^\circ C$				
Input Bias Current	$I_{IN(+)}$ or $I_{IN(-)}$	40 500			40 500			nA				
Input Common-Mode Voltage Range	$V^+ = 30 V$ , (Note 7) (LM2904, $V^+ = 26V$ )	0 $V^+ - 2$			0 $V^+ - 2$			V				

**Electrical Characteristics** (Continued)V<sup>+</sup> = +5.0V, (Note 4), unless otherwise stated

Parameter	Conditions	LM358			LM2904			Units
		Min	Typ	Max	Min	Typ	Max	
Large Signal Voltage Gain	V <sup>+</sup> = +15V (V <sub>O</sub> = 1V to 11V) R <sub>L</sub> ≥ 2 kΩ	15			15			V/mV
Output Voltage Swing	V <sub>OH</sub>	26			22			V
	V <sub>OL</sub>	5			5			mV
Output Current	Source	10			10			mA
	Sink	5			5			mA

**Note 1:** For operating at high temperatures, the LM358/LM358A, LM2904 must be derated based on a +125°C maximum junction temperature and a thermal resistance of 120°C/W for MDIP, 182°C/W for Metal Can, 189°C/W for Small Outline package, and 230°C/W for micro SMD, which applies for the device soldered in a printed circuit board, operating in a still air ambient. The LM258/LM258A and LM158/LM158A can be derated based on a +150°C maximum junction temperature. The dissipation is the total of both amplifiers—use external resistors, where possible, to allow the amplifier to saturate or to reduce the power which is dissipated in the integrated circuit.

**Note 2:** Short circuits from the output to V<sup>+</sup> can cause excessive heating and eventual destruction. When considering short circuits to ground, the maximum output current is approximately 40 mA independent of the magnitude of V<sup>+</sup>. At values of supply voltage in excess of +15V, continuous short-circuits can exceed the power dissipation ratings and cause eventual destruction. Destructive dissipation can result from simultaneous shorts on all amplifiers.

**Note 3:** This input current will only exist when the voltage at any of the input leads is driven negative. It is due to the collector-base junction of the input PNP transistors becoming forward biased and thereby acting as input diode clamps. In addition to this diode action, there is also lateral NPN parasitic transistor action on the IC chip. This transistor action can cause the output voltages of the op amps to go to the V<sup>+</sup> voltage level (or to ground for a large overdrive) for the time duration that an input is driven negative. This is not destructive and normal output states will re-establish when the input voltage, which was negative, again returns to a value greater than -0.3V (at 25°C).

**Note 4:** These specifications are limited to -55°C ≤ T<sub>A</sub> ≤ +125°C for the LM158/LM158A. With the LM258/LM258A, all temperature specifications are limited to -25°C ≤ T<sub>A</sub> ≤ +85°C, the LM358/LM358A temperature specifications are limited to 0°C ≤ T<sub>A</sub> ≤ +70°C, and the LM2904 specifications are limited to -40°C ≤ T<sub>A</sub> ≤ +85°C.

**Note 5:** V<sub>O</sub> = 1.4V, R<sub>S</sub> = 0Ω with V<sup>+</sup> from 5V to 30V; and over the full input common-mode range (0V to V<sup>+</sup> -1.5V) at 25°C. For LM2904, V<sup>+</sup> from 5V to 26V.

**Note 6:** The direction of the input current is out of the IC due to the PNP input stage. This current is essentially constant, independent of the state of the output so no loading change exists on the input lines.

**Note 7:** The input common-mode voltage of either input signal voltage should not be allowed to go negative by more than 0.3V (at 25°C). The upper end of the common-mode voltage range is V<sup>+</sup> -1.5V (at 25°C), but either or both inputs can go to +32V without damage (+26V for LM2904), independent of the magnitude of V<sup>+</sup>.

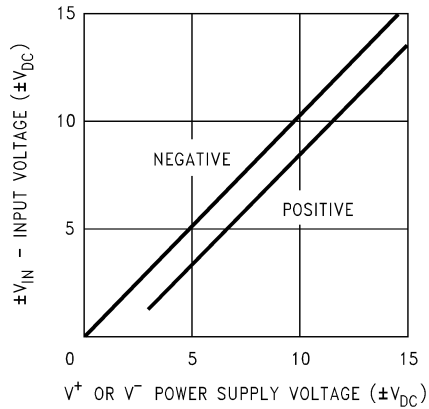
**Note 8:** Due to proximity of external components, insure that coupling is not originating via stray capacitance between these external parts. This typically can be detected as this type of capacitance increases at higher frequencies.

**Note 9:** Refer to RETS158AX for LM158A military specifications and to RETS158X for LM158 military specifications.

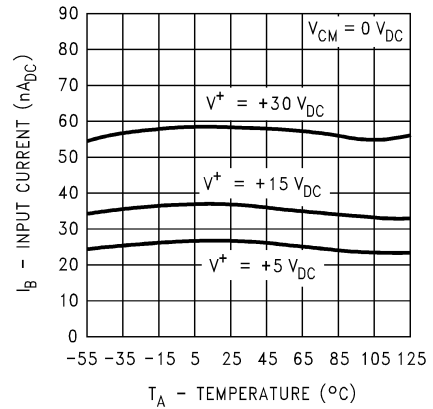
**Note 10:** Human body model, 1.5 kΩ in series with 100 pF.

# Typical Performance Characteristics

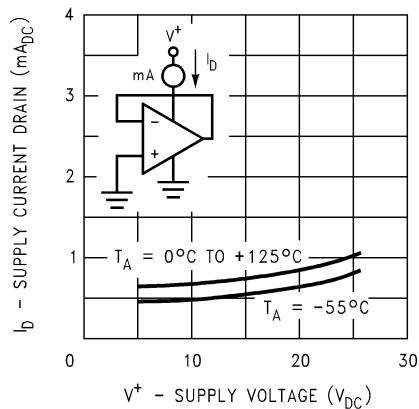
**Input Voltage Range**



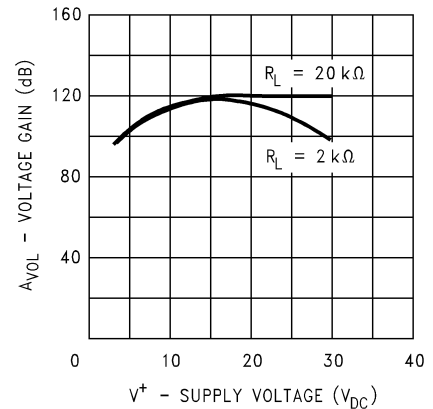
**Input Current**



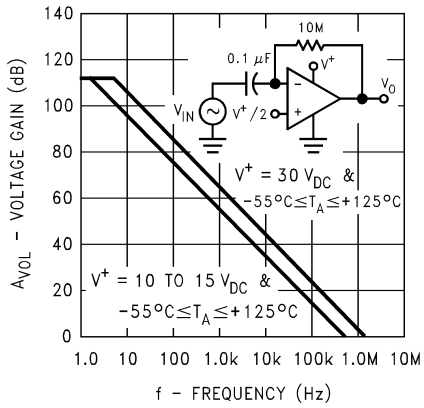
**Supply Current**



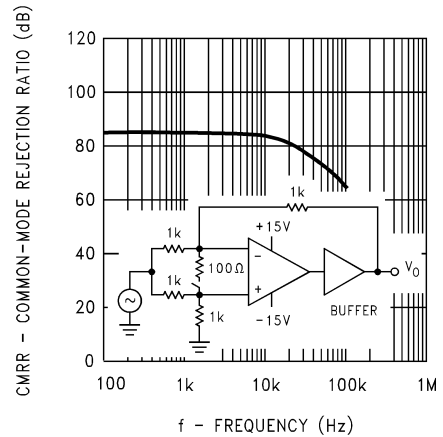
**Voltage Gain**



**Open Loop Frequency Response**

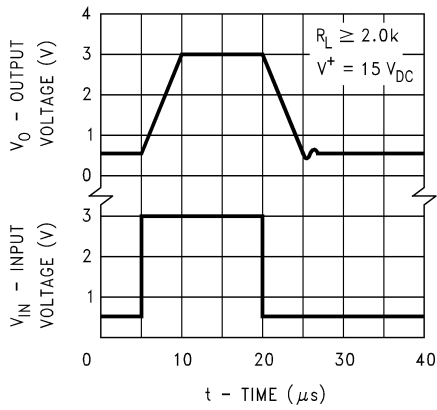


**Common-Mode Rejection Ratio**



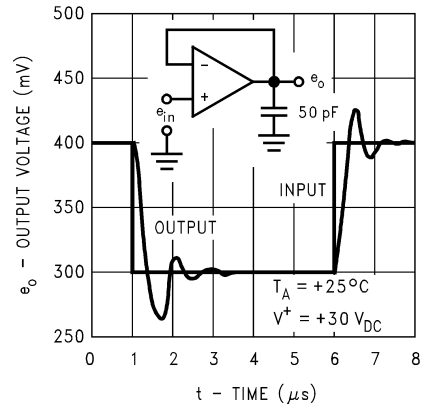
# Typical Performance Characteristics (Continued)

**Voltage Follower Pulse Response**



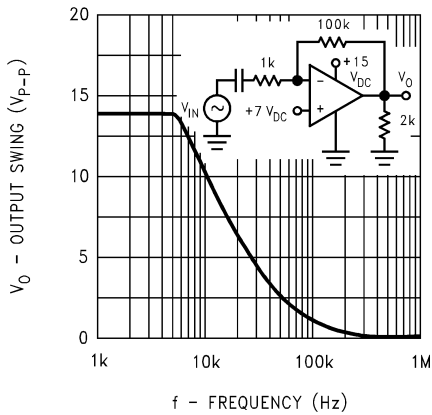
00778740

**Voltage Follower Pulse Response (Small Signal)**



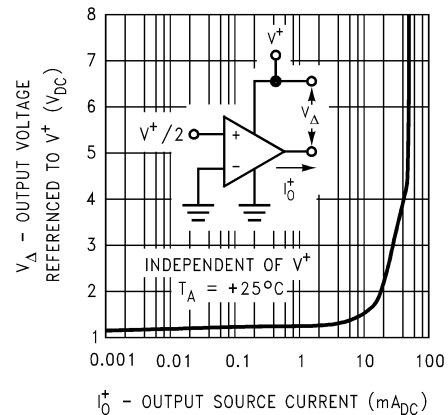
00778741

**Large Signal Frequency Response**



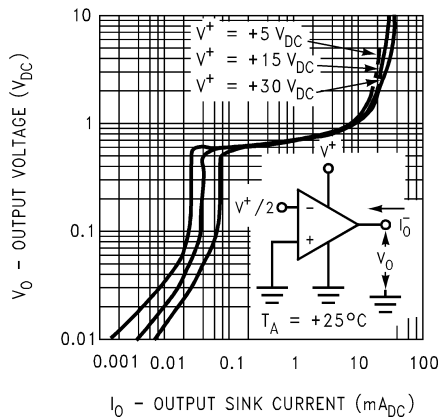
00778742

**Output Characteristics Current Sourcing**



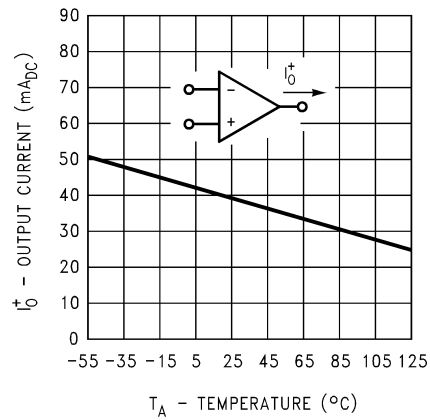
00778743

**Output Characteristics Current Sinking**



00778744

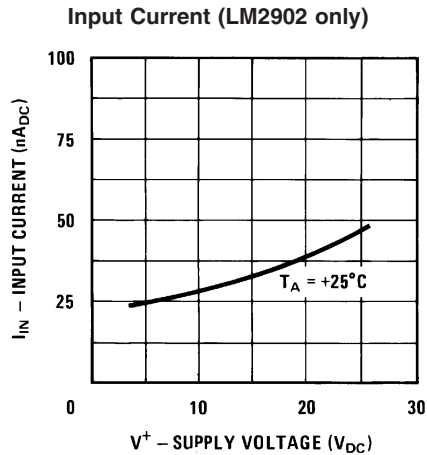
**Current Limiting**



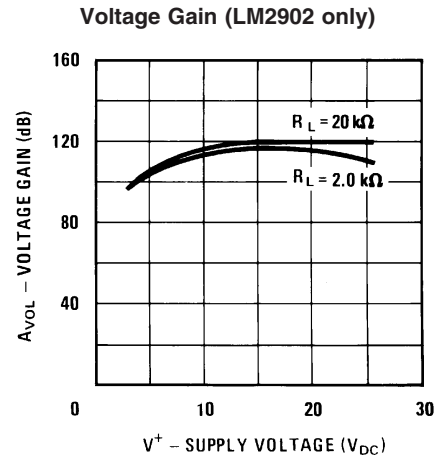
00778745



## Typical Performance Characteristics (Continued)



00778746



00778747

### Application Hints

The LM158 series are op amps which operate with only a single power supply voltage, have true-differential inputs, and remain in the linear mode with an input common-mode voltage of 0 V<sub>DC</sub>. These amplifiers operate over a wide range of power supply voltage with little change in performance characteristics. At 25°C amplifier operation is possible down to a minimum supply voltage of 2.3 V<sub>DC</sub>.

Precautions should be taken to insure that the power supply for the integrated circuit never becomes reversed in polarity or that the unit is not inadvertently installed backwards in a test socket as an unlimited current surge through the resulting forward diode within the IC could cause fusing of the internal conductors and result in a destroyed unit.

Large differential input voltages can be easily accommodated and, as input differential voltage protection diodes are not needed, no large input currents result from large differential input voltages. The differential input voltage may be larger than V<sup>+</sup> without damaging the device. Protection should be provided to prevent the input voltages from going negative more than -0.3 V<sub>DC</sub> (at 25°C). An input clamp diode with a resistor to the IC input terminal can be used.

To reduce the power supply current drain, the amplifiers have a class A output stage for small signal levels which converts to class B in a large signal mode. This allows the amplifiers to both source and sink large output currents. Therefore both NPN and PNP external current boost transistors can be used to extend the power capability of the basic amplifiers. The output voltage needs to raise approximately 1 diode drop above ground to bias the on-chip vertical PNP transistor for output current sinking applications.

For ac applications, where the load is capacitively coupled to the output of the amplifier, a resistor should be used, from the output of the amplifier to ground to increase the class A bias current and prevent crossover distortion. Where the load is directly coupled, as in dc applications, there is no crossover distortion.

Capacitive loads which are applied directly to the output of the amplifier reduce the loop stability margin. Values of 50 pF can be accommodated using the worst-case non-inverting unity gain connection. Large closed loop gains or resistive isolation should be used if larger load capacitance must be driven by the amplifier.

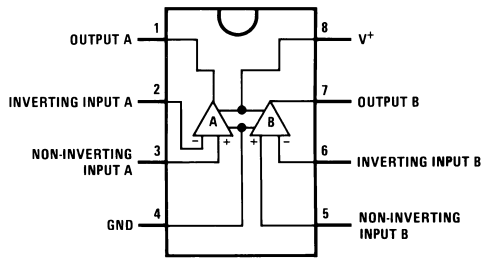
The bias network of the LM158 establishes a drain current which is independent of the magnitude of the power supply voltage over the range of 3 V<sub>DC</sub> to 30 V<sub>DC</sub>.

Output short circuits either to ground or to the positive power supply should be of short time duration. Units can be destroyed, not as a result of the short circuit current causing metal fusing, but rather due to the large increase in IC chip dissipation which will cause eventual failure due to excessive function temperatures. Putting direct short-circuits on more than one amplifier at a time will increase the total IC power dissipation to destructive levels, if not properly protected with external dissipation limiting resistors in series with the output leads of the amplifiers. The larger value of output source current which is available at 25°C provides a larger output current capability at elevated temperatures (see typical performance characteristics) than a standard IC op amp.

The circuits presented in the section on typical applications emphasize operation on only a single power supply voltage. If complementary power supplies are available, all of the standard op amp circuits can be used. In general, introducing a pseudo-ground (a bias voltage reference of V<sup>+</sup>/2) will allow operation above and below this value in single power supply systems. Many application circuits are shown which take advantage of the wide input common-mode voltage range which includes ground. In most cases, input biasing is not required and input voltages which range to ground can easily be accommodated.

# Connection Diagrams

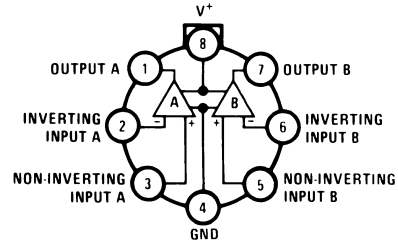
DIP/SO Package



Top View

00778702

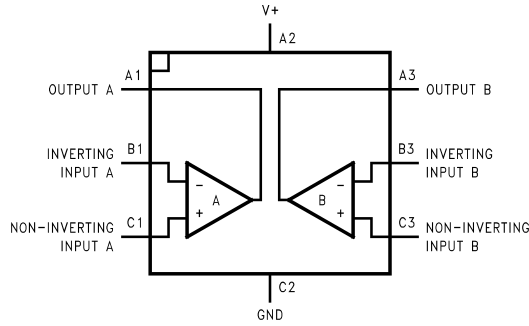
Metal Can Package



Top View

00778701

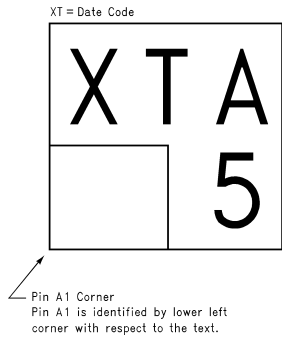
8-Bump micro SMD



Top View  
(Bump Side Down)

00778755

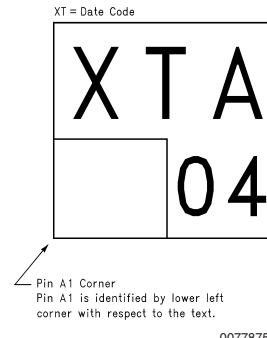
LM358BP micro SMD Marking Orientation



Top View

00778756

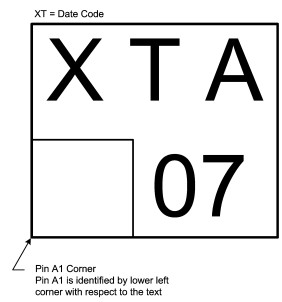
LM2904BP micro SMD Marking Orientation



Top View

00778757

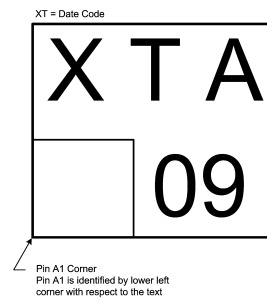
LM358TP micro SMD Marking Orientation



Top View

00778758

LM2904TP micro SMD Marking Orientation



Top View

00778759

## Ordering Information

Package	Temperature Range				NSC Drawing
	-55°C to 125°C	-25°C to 85°C	0°C to 70°C	-40°C to 85°C	
SO-8			LM358AM LM358AMX LM358M LM358MX	LM2904M LM2904MX	M08A
8-Pin Molded DIP			LM358AN LM358N	LM2904N	N08E
8-Pin Ceramic DIP	LM158AJ/883(Note 11) LM158J/883(Note 11) LM158J LM158AJLQML(Note 12) LM158AJQMLV(Note 12)				J08A
TO-5, 8-Pin Metal Can	LM158AH/883(Note 11) LM158H/883(Note 11) LM158AH LM158H LM158AHLQML(Note 12) LM158AHLQMLV(Note 12)	LM258H	LM358H		H08C
8-Bump micro SMD			LM358BP LM358BPX	LM2904IBP LM2904IBPX	BPA08AAB 0.85 mm Thick
8-Bump micro SMD Lead Free			LM358TP LM358TPX	LM2904ITP LM2904ITPX	TPA08AAA 0.50 mm Thick
14-Pin Ceramic SOIC	LM158AWG/883				WG10A

**Note 11:** LM158 is available per SMD #5962-8771001

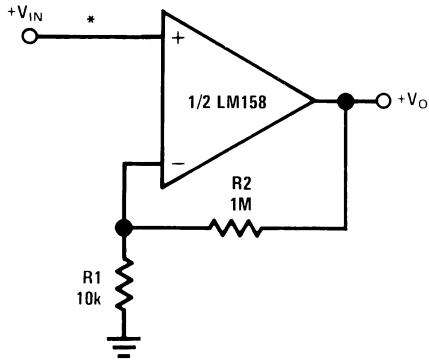
LM158A is available per SMD #5962-8771002

**Note 12:** See STD Mil DWG 5962L87710 for Radiation Tolerant Devices

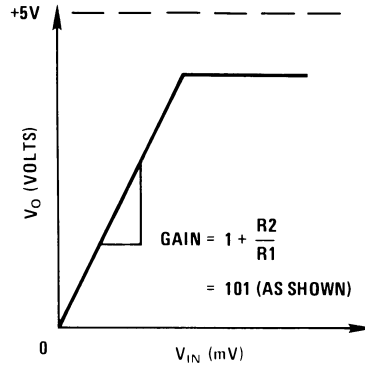
# Typical Single-Supply Applications

( $V^+ = 5.0 V_{DC}$ )

## Non-Inverting DC Gain (0V Output)



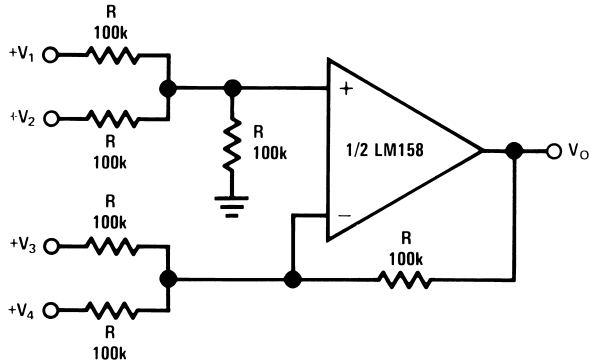
00778706



00778707

\*R not needed due to temperature independent  $I_{IN}$

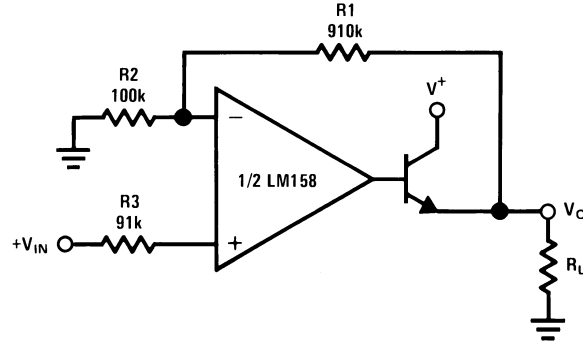
## DC Summing Amplifier ( $V_{IN'S} \geq 0 V_{DC}$ and $V_O \geq 0 V_{DC}$ )



00778708

Where:  $V_O = V_1 + V_2 - V_3 - V_4$   
( $V_1 + V_2 \geq (V_3 + V_4)$ ) to keep  $V_O > 0 V_{DC}$

## Power Amplifier

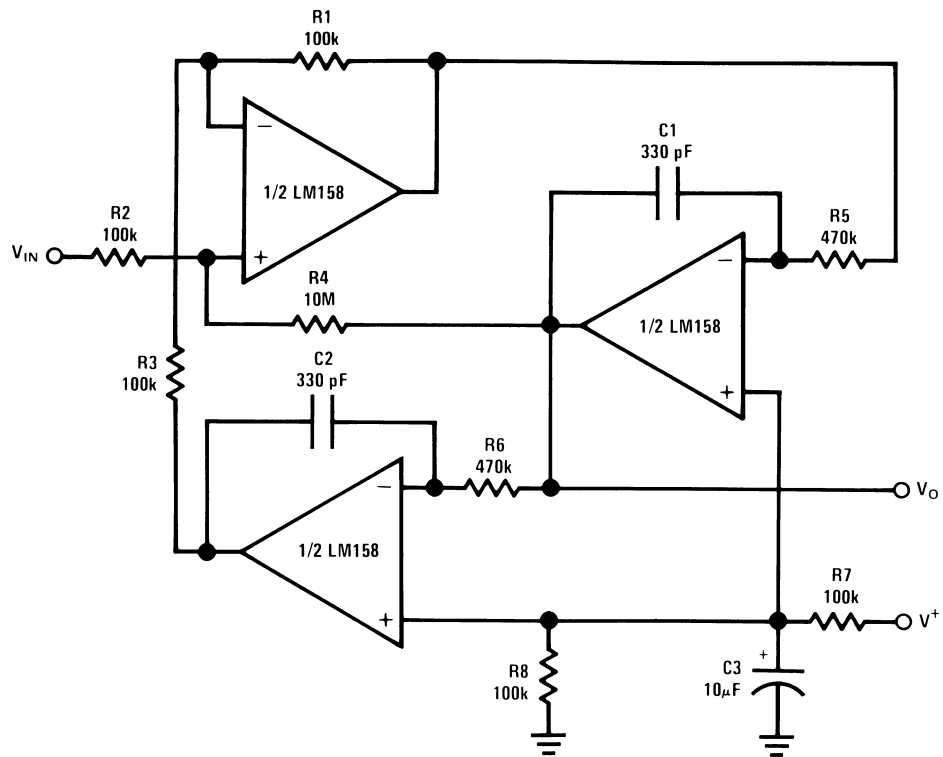


00778709

$V_O = 0 V_{DC}$  for  $V_{IN} = 0 V_{DC}$   
 $A_V = 10$

Typical Single-Supply Applications ( $V^+ = 5.0 V_{DC}$ ) (Continued)

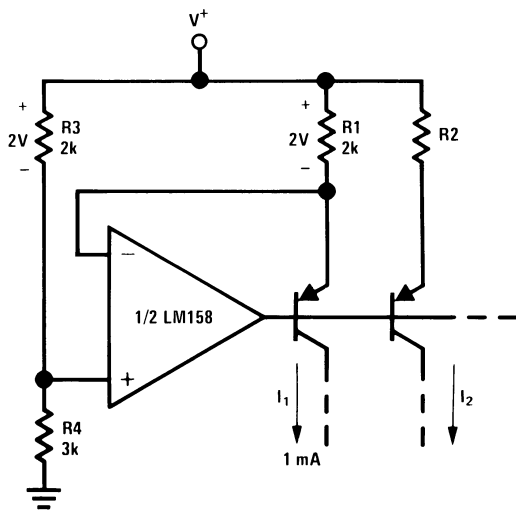
“BI-QUAD” RC Active Bandpass Filter



00778710

$f_o = 1 \text{ kHz}$   
 $Q = 50$   
 $A_v = 100 \text{ (40 dB)}$

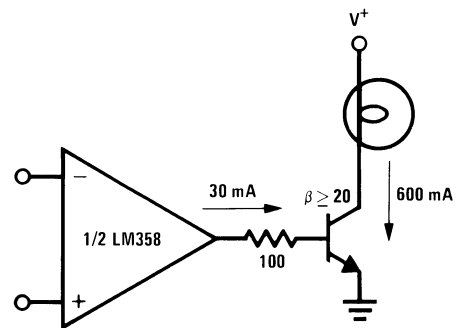
Fixed Current Sources



00778711

$$I_2 = \left( \frac{R_1}{R_2} \right) I_1$$

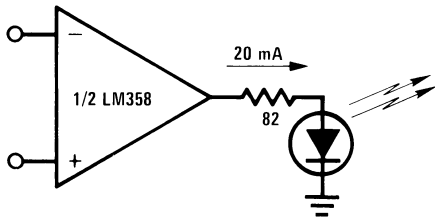
Lamp Driver



00778712

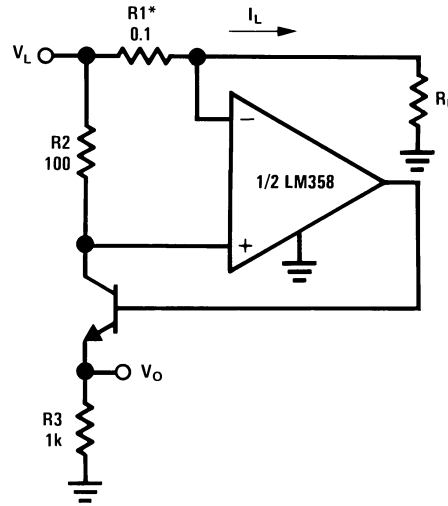
Typical Single-Supply Applications ( $V^+ = 5.0 V_{DC}$ ) (Continued)

LED Driver



00778713

Current Monitor

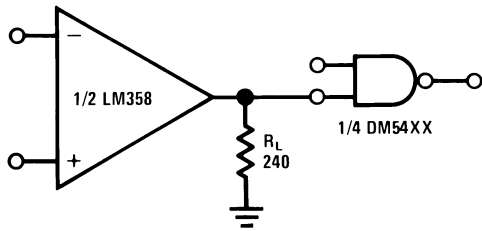


00778714

$$V_O = \frac{1V(I_L)}{1A}$$

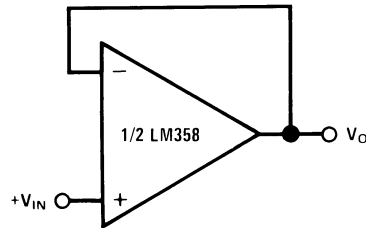
\*(Increase R1 for  $I_L$  small)  
 $V_L \leq V^+ - 2V$

Driving TTL



00778715

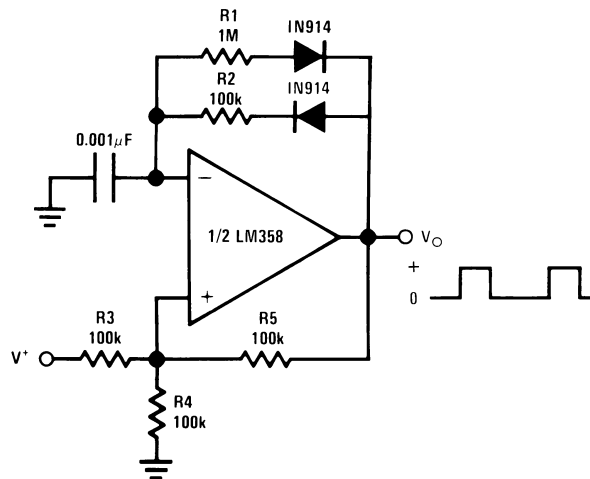
Voltage Follower



00778717

$$V_O = V_{IN}$$

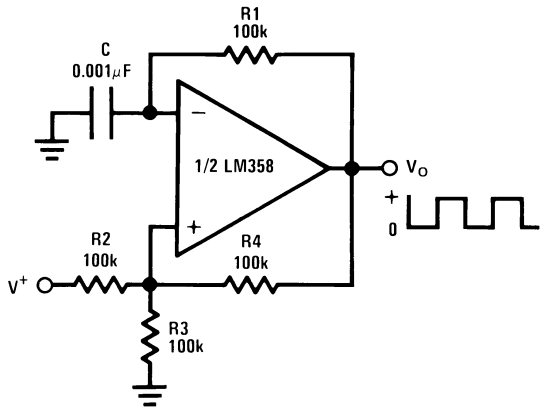
Pulse Generator



00778716

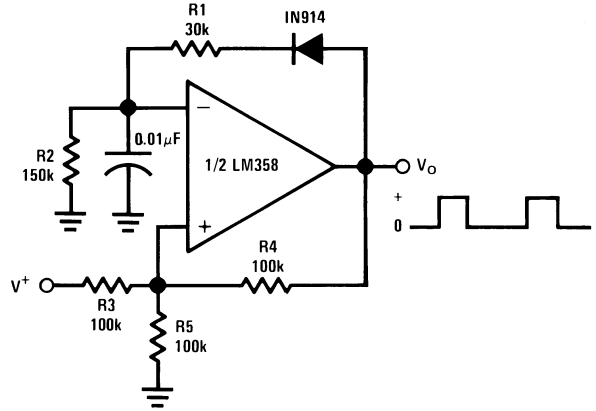
Typical Single-Supply Applications ( $V^+ = 5.0 V_{DC}$ ) (Continued)

Squarewave Oscillator



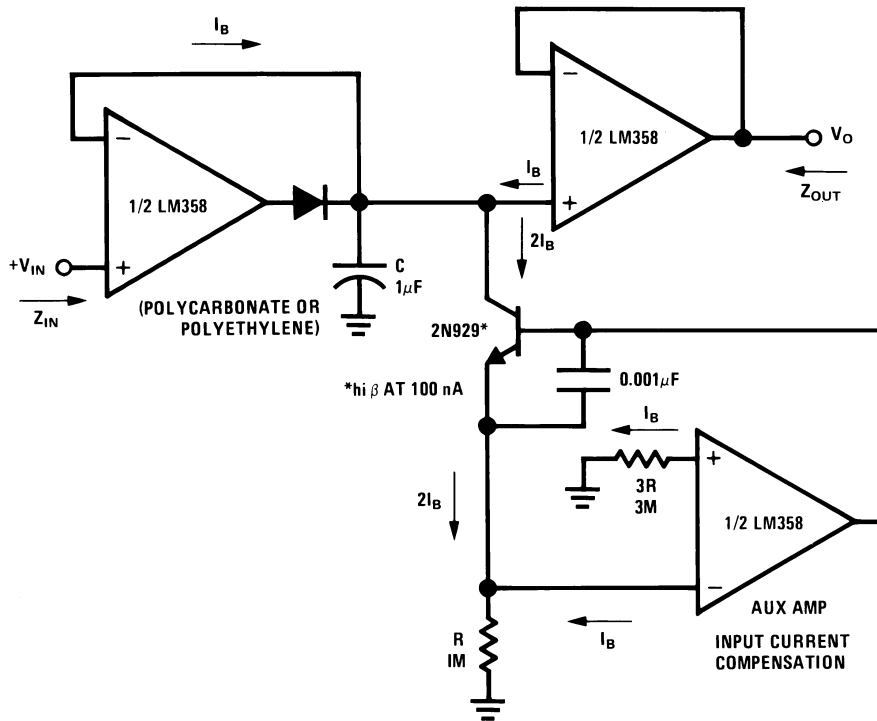
00778718

Pulse Generator



00778719

Low Drift Peak Detector

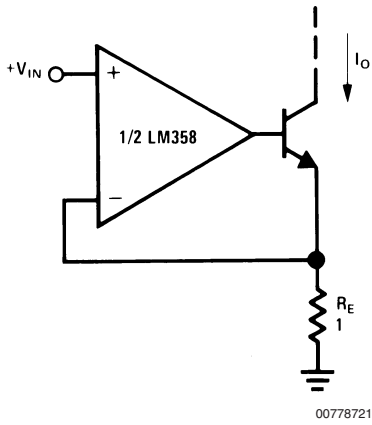


00778720

HIGH  $Z_{IN}$   
LOW  $Z_{OUT}$

**Typical Single-Supply Applications** ( $V^+ = 5.0 V_{DC}$ ) (Continued)

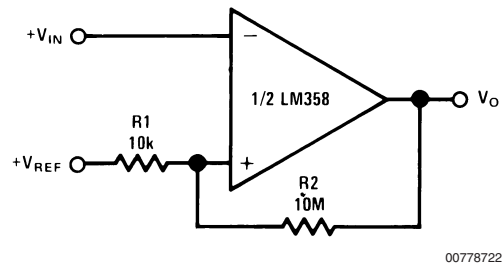
**High Compliance Current Sink**



00778721

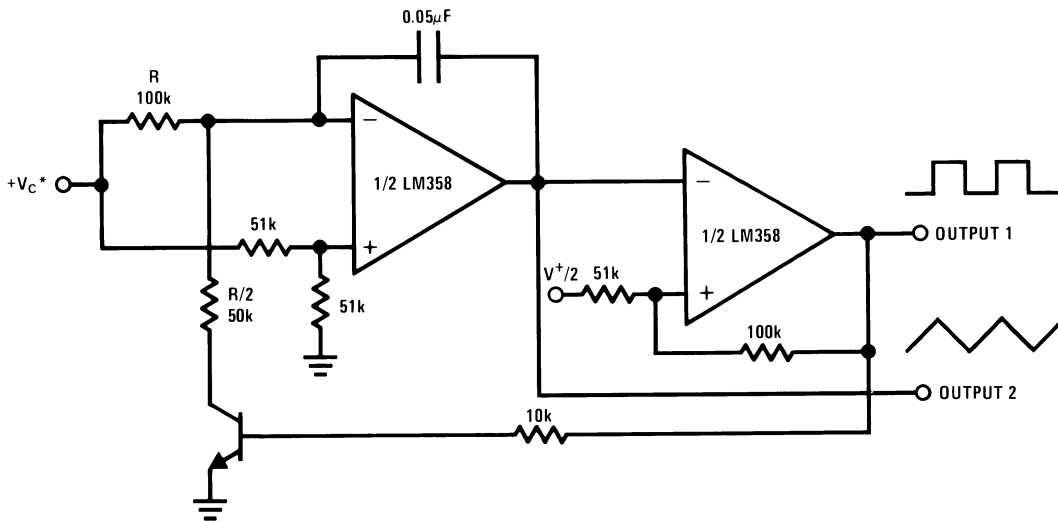
$I_O = 1 \text{ amp/volt } V_{IN}$   
 (Increase  $R_E$  for  $I_O$  small)

**Comparator with Hysteresis**



00778722

**Voltage Controlled Oscillator (VCO)**



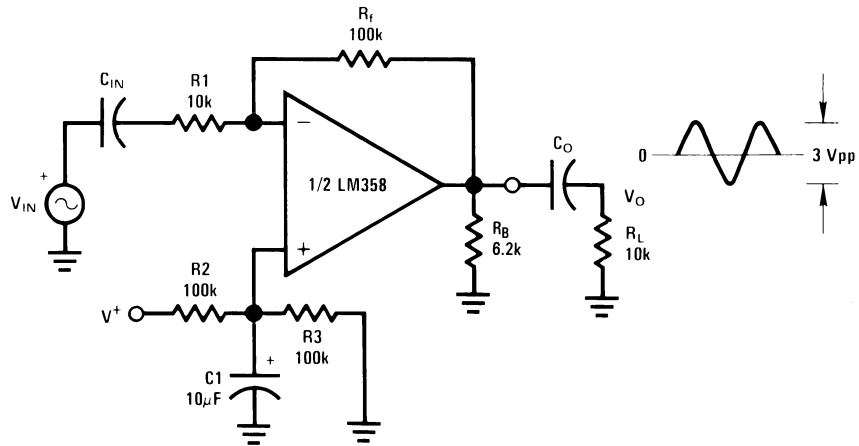
00778723

\*WIDE CONTROL VOLTAGE RANGE:  $0 V_{DC} \leq V_C \leq 2 (V^+ - 1.5V_{DC})$



## Typical Single-Supply Applications ( $V^+ = 5.0 V_{DC}$ ) (Continued)

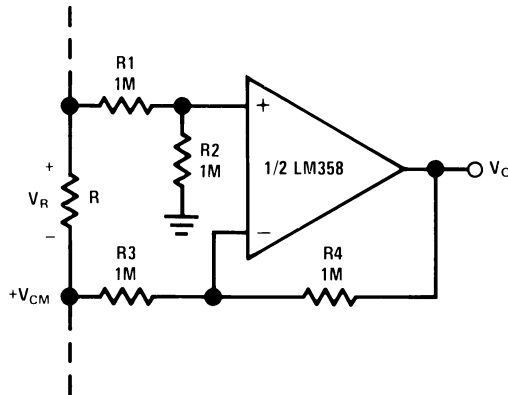
### AC Coupled Inverting Amplifier



00778724

$$A_V = \frac{R_f}{R_1} \quad (\text{As shown, } A_V = 10)$$

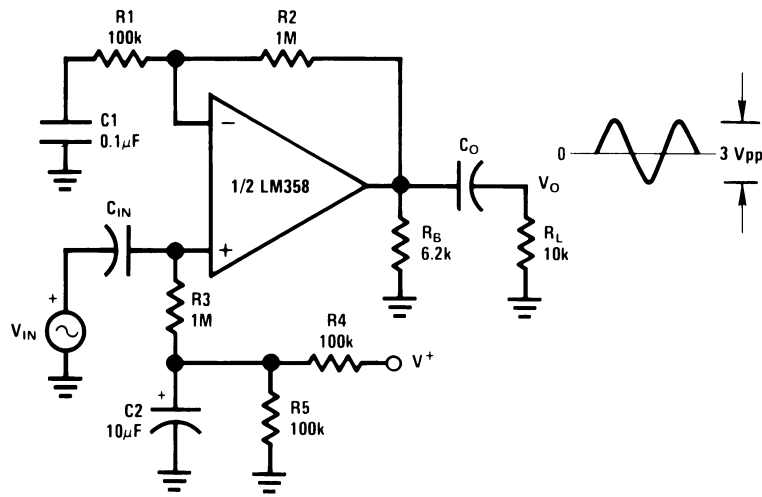
### Ground Referencing a Differential Input Signal



00778725

Typical Single-Supply Applications ( $V^+ = 5.0 V_{DC}$ ) (Continued)

AC Coupled Non-Inverting Amplifier

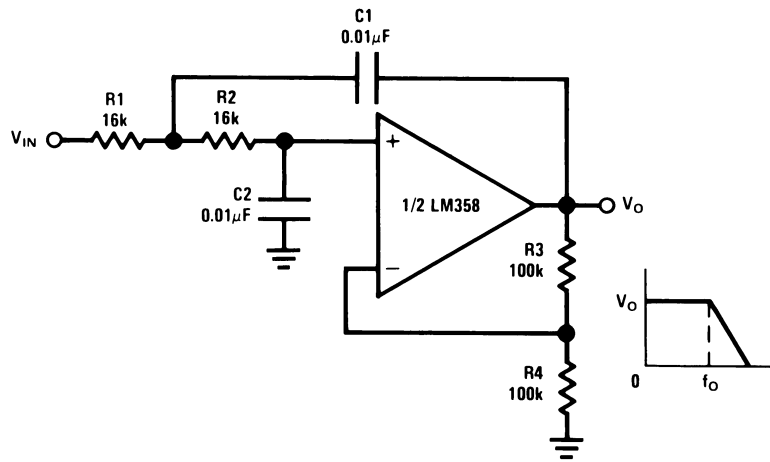


00778726

$$A_V = 1 + \frac{R_2}{R_1}$$

$A_V = 11$  (As Shown)

DC Coupled Low-Pass RC Active Filter

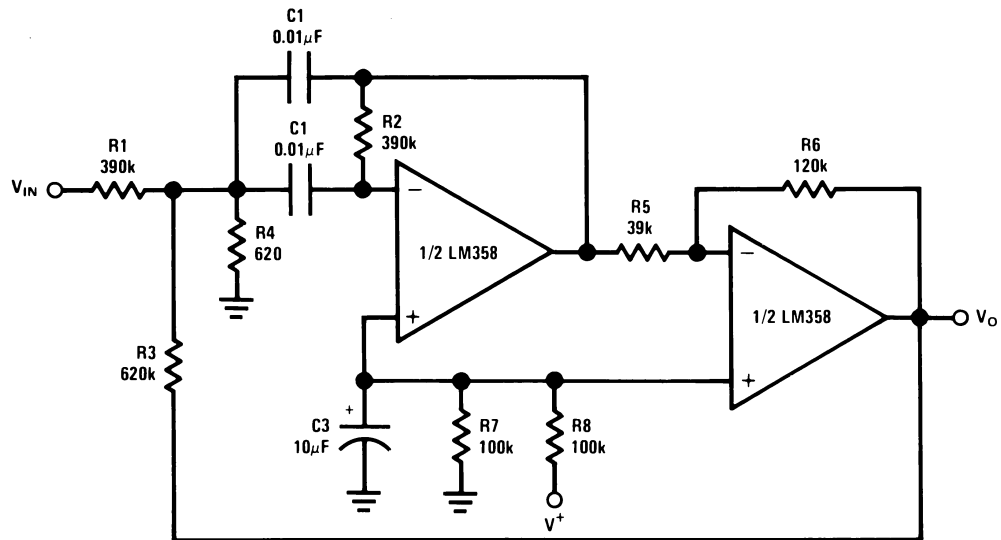


00778727

$f_o = 1 \text{ kHz}$   
 $Q = 1$   
 $A_V = 2$

Typical Single-Supply Applications ( $V^+ = 5.0 V_{DC}$ ) (Continued)

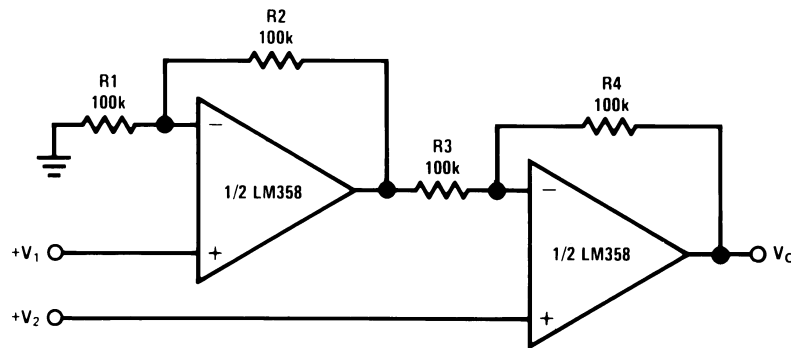
Bandpass Active Filter



00778728

$f_o = 1 \text{ kHz}$   
 $Q = 25$

High Input Z, DC Differential Amplifier



00778729

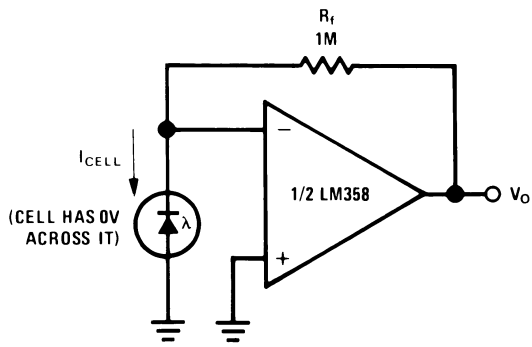
For  $\frac{R1}{R2} = \frac{R4}{R3}$  (CMRR depends on this resistor ratio match)

$$V_O = 1 + \frac{R4}{R3} (V_2 - V_1)$$

As Shown:  $V_O = 2 (V_2 - V_1)$

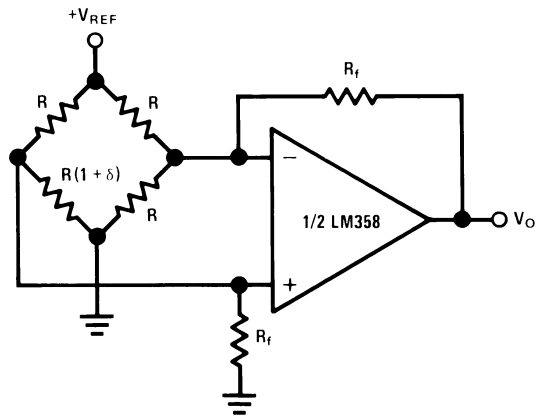
Typical Single-Supply Applications ( $V^+ = 5.0 V_{DC}$ ) (Continued)

Photo Voltaic-Cell Amplifier



00778730

Bridge Current Amplifier

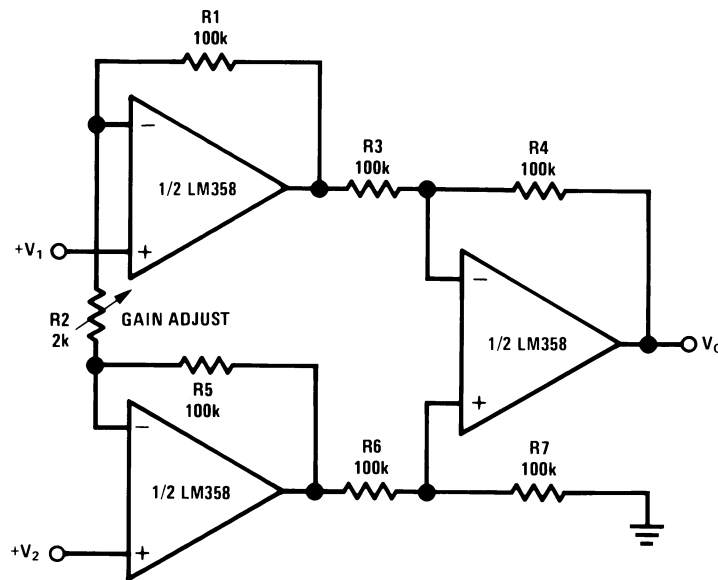


00778733

For  $\delta \ll 1$  and  $R_f \gg R$

$$V_O \cong V_{REF} \left( \frac{\delta}{2} \right) \frac{R_f}{R}$$

High Input Z Adjustable-Gain DC Instrumentation Amplifier



00778731

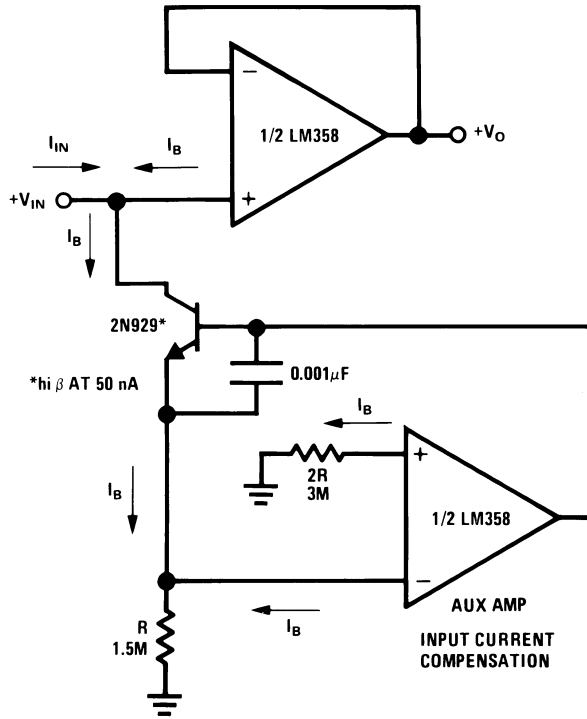
If  $R_1 = R_5$  &  $R_3 = R_4 = R_6 = R_7$  (CMRR depends on match)

$$V_O = 1 + \frac{2R_1}{R_2} (V_2 - V_1)$$

As shown  $V_O = 101 (V_2 - V_1)$

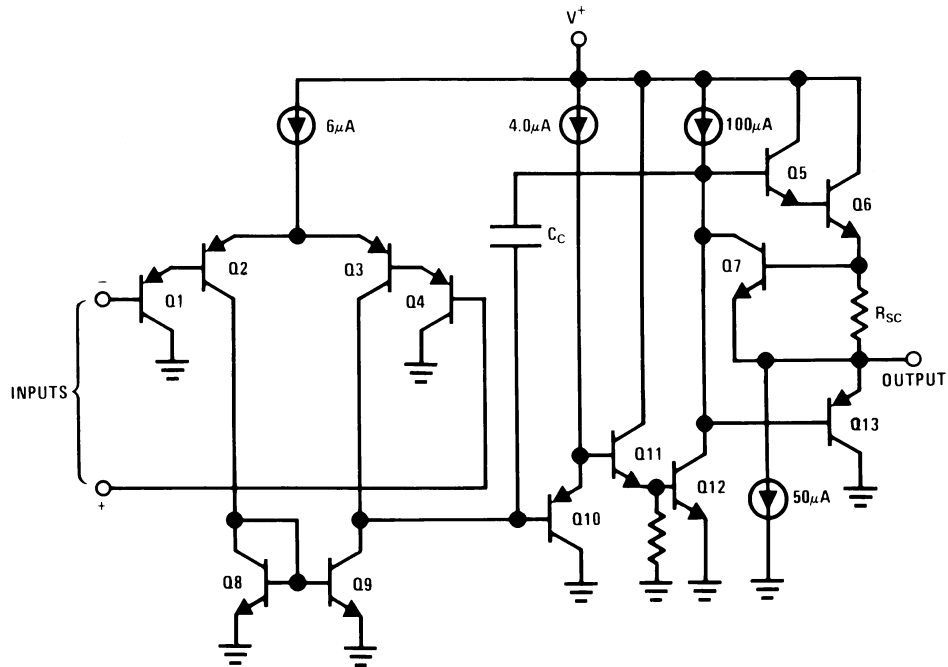
Typical Single-Supply Applications ( $V^+ = 5.0 V_{DC}$ ) (Continued)

Using Symmetrical Amplifiers to Reduce Input Current (General Concept)



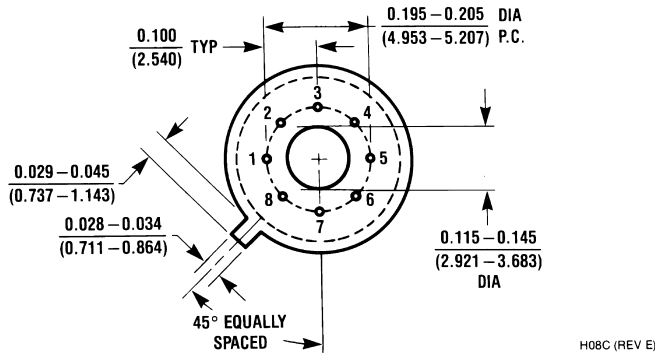
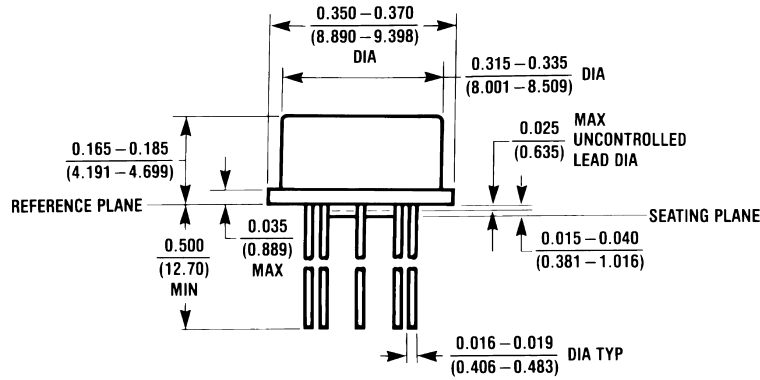
00778732

Schematic Diagram (Each Amplifier)

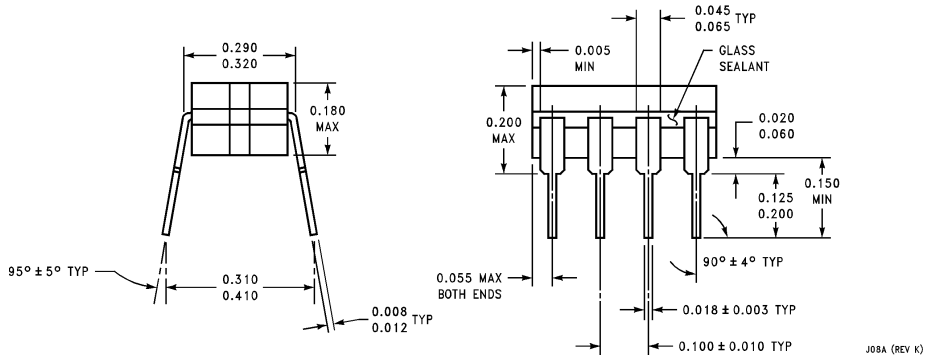
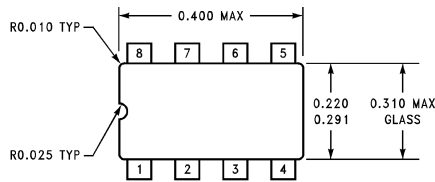


00778703

**Physical Dimensions** inches (millimeters) unless otherwise noted

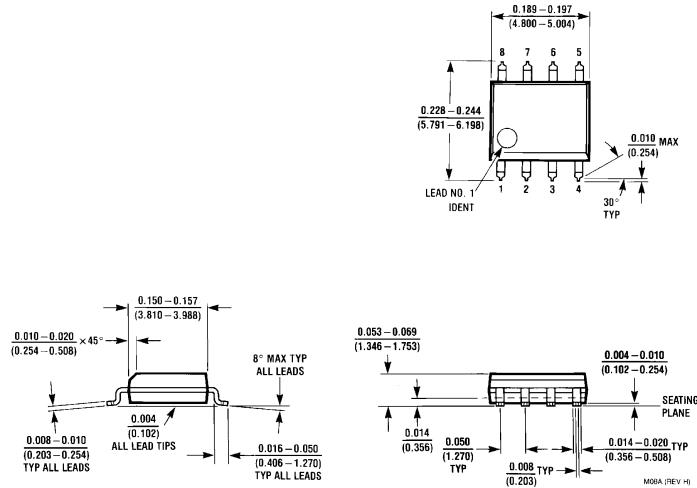


**Metal Can Package (H)**  
NS Package Number H08C

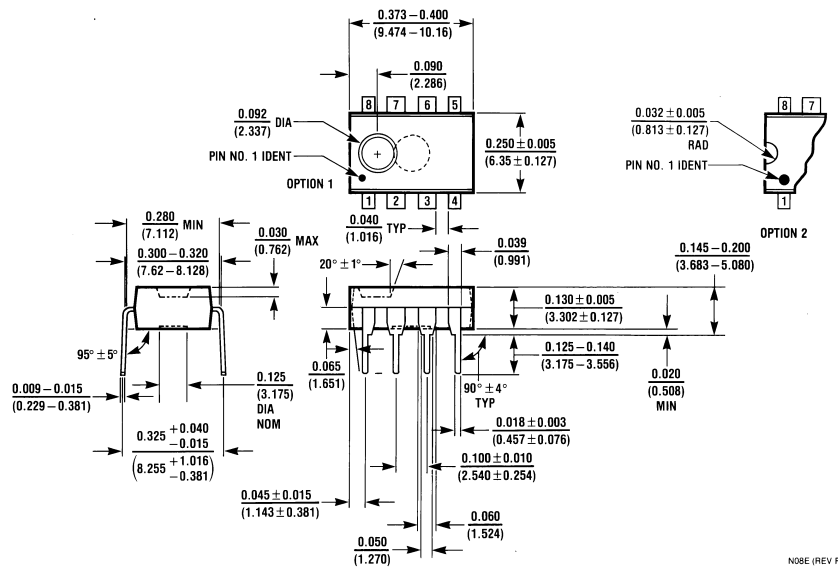


**Cerdip Package (J)**  
NS Package Number J08A

**Physical Dimensions** inches (millimeters) unless otherwise noted (Continued)

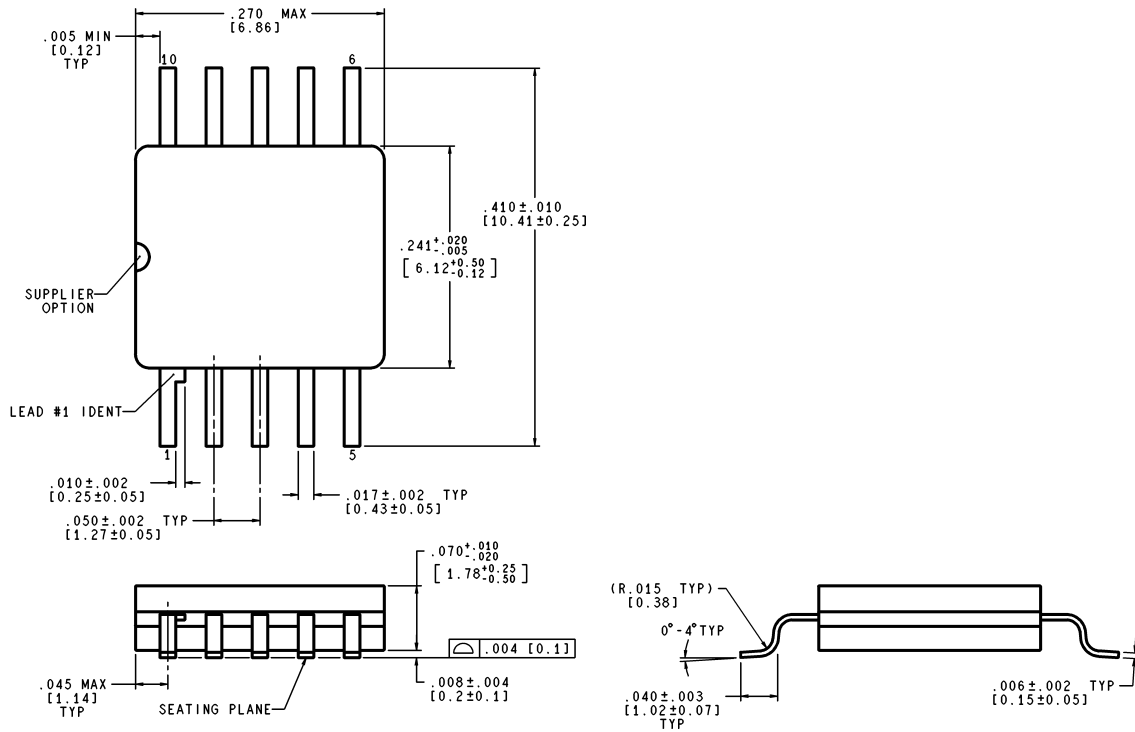


**SOIC Package (M)**  
**NS Package Number M08A**



**Molded Dip Package (N)**  
**NS Package Number N08E**

**Physical Dimensions** inches (millimeters) unless otherwise noted (Continued)



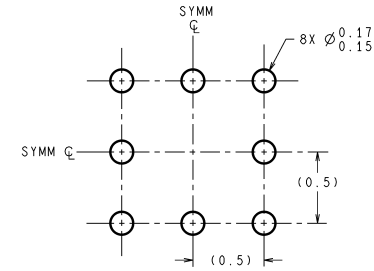
CONTROLLING DIMENSION IS INCH  
VALUES IN [ ] ARE MILLIMETERS

WG10A (Rev C)

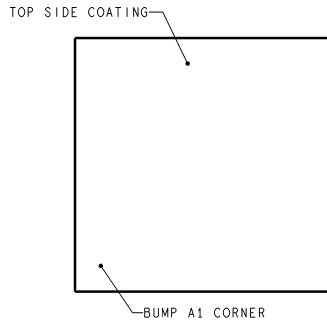
**Order Number LM158AWG/883**  
**NS Package Number WG10A**



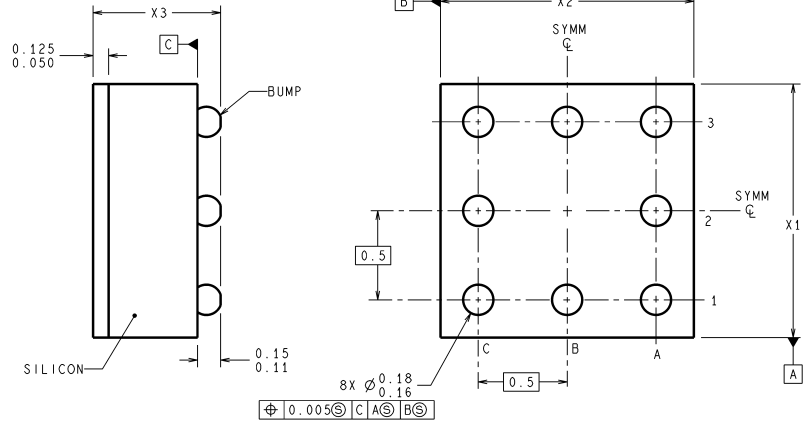
**Physical Dimensions** inches (millimeters) unless otherwise noted (Continued)



**LAND PATTERN RECOMMENDATION**



**DIMENSIONS ARE IN MILLIMETERS**  
DIMENSIONS IN ( ) FOR REFERENCE ONLY



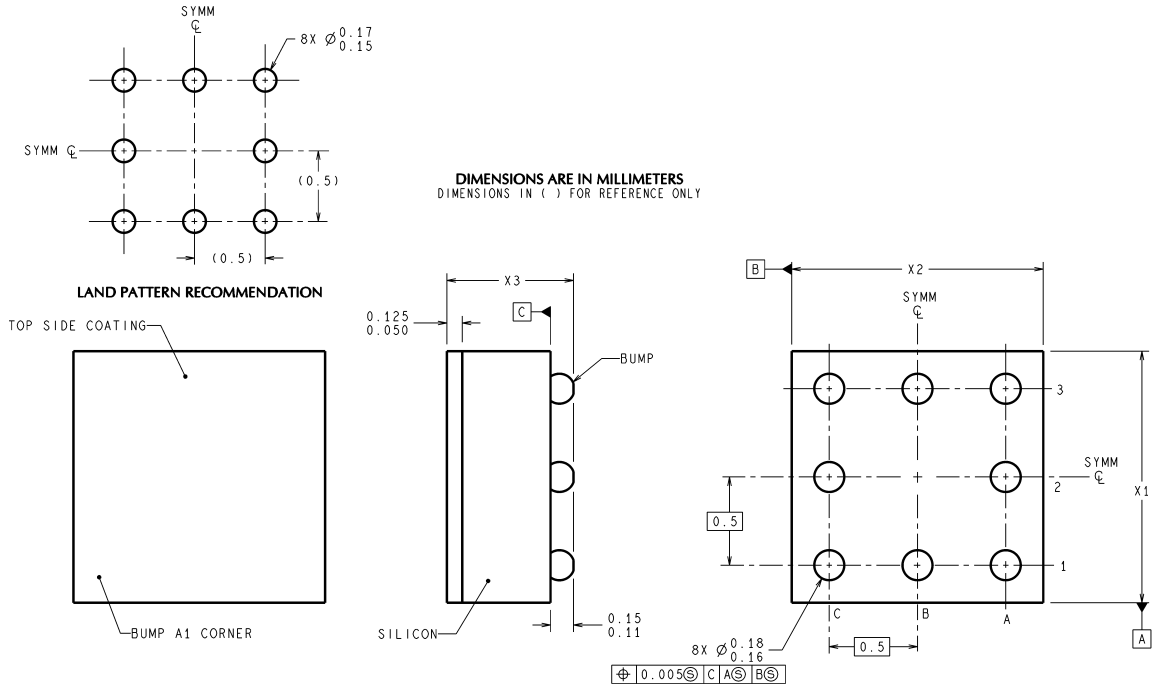
BPA08XXX (Rev D)

NOTES: UNLESS OTHERWISE SPECIFIED

1. EPOXY COATING
2. 63Sn/37Pb EUTECTIC BUMP
3. RECOMMEND NON-SOLDER MASK DEFINED LANDING PAD.
4. PIN A1 IS ESTABLISHED BY LOWER LEFT CORNER WITH RESPECT TO TEXT ORIENTATION REMAINING PINS ARE NUMBERED COUNTERCLOCKWISE.
5. XXX IN DRAWING NUMBER REPRESENTS PACKAGE SIZE VARIATION WHERE X<sub>1</sub> IS PACKAGE WIDTH, X<sub>2</sub> IS PACKAGE LENGTH AND X<sub>3</sub> IS PACKAGE HEIGHT.
6. REFERENCE JEDEC REGISTRATION MO-211, VARIATION BC.

**8-Bump micro SMD**  
**NS Package Number BPA08AAB**  
**X<sub>1</sub> = 1.285 X<sub>2</sub> = 1.285 X<sub>3</sub> = 0.850**

**Physical Dimensions** inches (millimeters) unless otherwise noted (Continued)



NOTES: UNLESS OTHERWISE SPECIFIED

1. EPOXY COATING
2. RECOMMEND NON-SOLDER MASK DEFINED LANDING PAD.
3. PIN A1 IS ESTABLISHED BY LOWER LEFT CORNER WITH RESPECT TO TEXT ORIENTATION REMAINING PINS ARE NUMBERED COUNTERCLOCKWISE.
4. XXX IN DRAWING NUMBER REPRESENTS PACKAGE SIZE VARIATION WHERE X<sub>1</sub> IS PACKAGE WIDTH, X<sub>2</sub> IS PACKAGE LENGTH AND X<sub>3</sub> IS PACKAGE HEIGHT.
5. REFERENCE JEDEC REGISTRATION MO-211, VARIATION BC.

**8-Bump micro SMD Lead Free  
NS Package Number TPA08AAA  
X<sub>1</sub> = 1.285 X<sub>2</sub> = 1.285 X<sub>3</sub> = 0.500**

National does not assume any responsibility for use of any circuitry described, no circuit patent licenses are implied and National reserves the right at any time without notice to change said circuitry and specifications.

For the most current product information visit us at [www.national.com](http://www.national.com).

**LIFE SUPPORT POLICY**

NATIONAL'S PRODUCTS ARE NOT AUTHORIZED FOR USE AS CRITICAL COMPONENTS IN LIFE SUPPORT DEVICES OR SYSTEMS WITHOUT THE EXPRESS WRITTEN APPROVAL OF THE PRESIDENT AND GENERAL COUNSEL OF NATIONAL SEMICONDUCTOR CORPORATION. As used herein:

1. Life support devices or systems are devices or systems which, (a) are intended for surgical implant into the body, or (b) support or sustain life, and whose failure to perform when properly used in accordance with instructions for use provided in the labeling, can be reasonably expected to result in a significant injury to the user.
2. A critical component is any component of a life support device or system whose failure to perform can be reasonably expected to cause the failure of the life support device or system, or to affect its safety or effectiveness.

**BANNED SUBSTANCE COMPLIANCE**

National Semiconductor manufactures products and uses packing materials that meet the provisions of the Customer Products Stewardship Specification (CSP-9-111C2) and the Banned Substances and Materials of Interest Specification (CSP-9-111S2) and contain no "Banned Substances" as defined in CSP-9-111S2.

Leadfree products are RoHS compliant.



**National Semiconductor**  
Americas Customer  
Support Center  
Email: [new.feedback@nsc.com](mailto:new.feedback@nsc.com)  
Tel: 1-800-272-9959

**National Semiconductor**  
Europe Customer Support Center  
Fax: +49 (0) 180-530 85 86  
Email: [europe.support@nsc.com](mailto:europe.support@nsc.com)  
Deutsch Tel: +49 (0) 69 9508 6208  
English Tel: +44 (0) 870 24 0 2171  
Français Tel: +33 (0) 1 41 91 8790

**National Semiconductor**  
Asia Pacific Customer  
Support Center  
Email: [ap.support@nsc.com](mailto:ap.support@nsc.com)

**National Semiconductor**  
Japan Customer Support Center  
Fax: 81-3-5639-7507  
Email: [jpn.feedback@nsc.com](mailto:jpn.feedback@nsc.com)  
Tel: 81-3-5639-7560

## IMPORTANT NOTICE

Texas Instruments Incorporated and its subsidiaries (TI) reserve the right to make corrections, modifications, enhancements, improvements, and other changes to its products and services at any time and to discontinue any product or service without notice. Customers should obtain the latest relevant information before placing orders and should verify that such information is current and complete. All products are sold subject to TI's terms and conditions of sale supplied at the time of order acknowledgment.

TI warrants performance of its hardware products to the specifications applicable at the time of sale in accordance with TI's standard warranty. Testing and other quality control techniques are used to the extent TI deems necessary to support this warranty. Except where mandated by government requirements, testing of all parameters of each product is not necessarily performed.

TI assumes no liability for applications assistance or customer product design. Customers are responsible for their products and applications using TI components. To minimize the risks associated with customer products and applications, customers should provide adequate design and operating safeguards.

TI does not warrant or represent that any license, either express or implied, is granted under any TI patent right, copyright, mask work right, or other TI intellectual property right relating to any combination, machine, or process in which TI products or services are used. Information published by TI regarding third-party products or services does not constitute a license from TI to use such products or services or a warranty or endorsement thereof. Use of such information may require a license from a third party under the patents or other intellectual property of the third party, or a license from TI under the patents or other intellectual property of TI.

Reproduction of TI information in TI data books or data sheets is permissible only if reproduction is without alteration and is accompanied by all associated warranties, conditions, limitations, and notices. Reproduction of this information with alteration is an unfair and deceptive business practice. TI is not responsible or liable for such altered documentation. Information of third parties may be subject to additional restrictions.

Resale of TI products or services with statements different from or beyond the parameters stated by TI for that product or service voids all express and any implied warranties for the associated TI product or service and is an unfair and deceptive business practice. TI is not responsible or liable for any such statements.

TI products are not authorized for use in safety-critical applications (such as life support) where a failure of the TI product would reasonably be expected to cause severe personal injury or death, unless officers of the parties have executed an agreement specifically governing such use. Buyers represent that they have all necessary expertise in the safety and regulatory ramifications of their applications, and acknowledge and agree that they are solely responsible for all legal, regulatory and safety-related requirements concerning their products and any use of TI products in such safety-critical applications, notwithstanding any applications-related information or support that may be provided by TI. Further, Buyers must fully indemnify TI and its representatives against any damages arising out of the use of TI products in such safety-critical applications.

TI products are neither designed nor intended for use in military/aerospace applications or environments unless the TI products are specifically designated by TI as military-grade or "enhanced plastic." Only products designated by TI as military-grade meet military specifications. Buyers acknowledge and agree that any such use of TI products which TI has not designated as military-grade is solely at the Buyer's risk, and that they are solely responsible for compliance with all legal and regulatory requirements in connection with such use.

TI products are neither designed nor intended for use in automotive applications or environments unless the specific TI products are designated by TI as compliant with ISO/TS 16949 requirements. Buyers acknowledge and agree that, if they use any non-designated products in automotive applications, TI will not be responsible for any failure to meet such requirements.

Following are URLs where you can obtain information on other Texas Instruments products and application solutions:

### Products

Audio	<a href="http://www.ti.com/audio">www.ti.com/audio</a>
Amplifiers	<a href="http://amplifier.ti.com">amplifier.ti.com</a>
Data Converters	<a href="http://dataconverter.ti.com">dataconverter.ti.com</a>
DLP® Products	<a href="http://www.dlp.com">www.dlp.com</a>
DSP	<a href="http://dsp.ti.com">dsp.ti.com</a>
Clocks and Timers	<a href="http://www.ti.com/clocks">www.ti.com/clocks</a>
Interface	<a href="http://interface.ti.com">interface.ti.com</a>
Logic	<a href="http://logic.ti.com">logic.ti.com</a>
Power Mgmt	<a href="http://power.ti.com">power.ti.com</a>
Microcontrollers	<a href="http://microcontroller.ti.com">microcontroller.ti.com</a>
RFID	<a href="http://www.ti-rfid.com">www.ti-rfid.com</a>
OMAP Mobile Processors	<a href="http://www.ti.com/omap">www.ti.com/omap</a>
Wireless Connectivity	<a href="http://www.ti.com/wirelessconnectivity">www.ti.com/wirelessconnectivity</a>

### Applications

Communications and Telecom	<a href="http://www.ti.com/communications">www.ti.com/communications</a>
Computers and Peripherals	<a href="http://www.ti.com/computers">www.ti.com/computers</a>
Consumer Electronics	<a href="http://www.ti.com/consumer-apps">www.ti.com/consumer-apps</a>
Energy and Lighting	<a href="http://www.ti.com/energy">www.ti.com/energy</a>
Industrial	<a href="http://www.ti.com/industrial">www.ti.com/industrial</a>
Medical	<a href="http://www.ti.com/medical">www.ti.com/medical</a>
Security	<a href="http://www.ti.com/security">www.ti.com/security</a>
Space, Avionics and Defense	<a href="http://www.ti.com/space-avionics-defense">www.ti.com/space-avionics-defense</a>
Transportation and Automotive	<a href="http://www.ti.com/automotive">www.ti.com/automotive</a>
Video and Imaging	<a href="http://www.ti.com/video">www.ti.com/video</a>

TI E2E Community Home Page

[e2e.ti.com](http://e2e.ti.com)

Mailing Address: Texas Instruments, Post Office Box 655303, Dallas, Texas 75265  
Copyright © 2011, Texas Instruments Incorporated