

# BM3

Patient Monitor

Service Manual

Rev A



## Table of Contents

1. How to Reach Us ...
2. General Precaution
3. Performance Specification
4. Equipment Overview
5. System Construction
6. System Inspection
7. Trouble Shoot
8. Exploded View
9. Circuit Diagram

# 1. How to Reach Us ...

The following are telephone numbers and addresses for contacting various service, product supplies and sales personnel

## Product and Purchase Inquiry

Bionet Co., Ltd.

Address #188-5, KiCOX venture center 501, Guro-dong, Guro-gu, Seoul,

South Korea (ZIP 152-050)

Overseas sales dept. Tel:++82-2-6300-6419

## Service call

Tel: ++82-2 -6300 - 6431

## Technical support

For any technical questions or problems on the equipment, call;

Tel: ++82-2 -6300 - 6431

Web site of Bionet

URL : **HTTP://** [WWW.BIO2NET.COM](http://www.BIO2NET.COM)

※ In the event of a malfunction or failure, contact Service Dept.Of Bionet Co., Ltd along with the model name, serial number, date of purchase and explanation of failure.

## Warranty

- I This product is manufactured and passed through strict quality control and thorough inspection.
- I Compensation standard concerning repair, replacement, refund of the product complies with “ Consumer’s protection law” noticed by Economic Planning Dept.

Warranty period is 2 year.

- I Warranty repair or replacement will be made by Bionet Service Center at no charge for warranty period if properly used under

normal condition in accordance with the instructions for use.

- I Manufacturer or sales agency takes no responsibility for any kind of damage or breakdown that is caused by misuse and failure to maintain the equipment.

## **2. General Precaution**

### **Warning, Caution, Note**

- I For a special emphasis on agreement, terms are defined as listed below in operation manual. Users should operate the equipment according to all the Warning and Caution.

Warning : To inform that it may cause serious injury or

death to the patient, property damage, material losses

against the "Warning" sign.

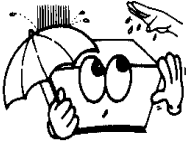
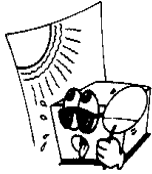
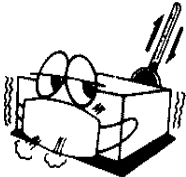
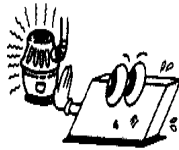
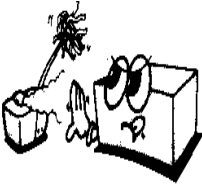
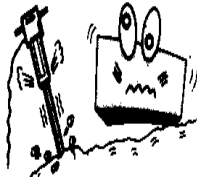
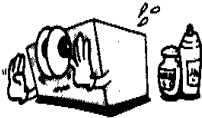

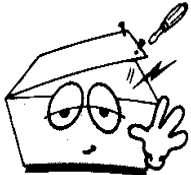

Caution: To inform that it may cause no harm in life but lead to injury

against the "Caution" sign.

Note : To inform that it is not dangerous but important for proper installation, operation, and maintenance of the equipment.

## **General Precaution on Environment**

- I Do not keep or operate the equipment in the environment listed below.

	<p>Avoid placing in an area exposed to moist. Do not touch the equipment with wet hand.</p>		<p>Avoid exposure to direct sunlight</p>
	<p>Avoid placing in an area where there is a high variation of temperature. Operating temperature ranges from 10°C to 40°C. Operating humidity ranges from 30% to 85%.</p>		<p>Avoid in the vicinity of Electric heater</p>
	<p>Avoid placing in an area where there is an excessive humidity rise or ventilation problem.</p>		<p>Avoid placing in an area where there is an excessive shock or vibration.</p>
	<p>Avoid placing in an area where chemicals are stored or where there is danger of gas leakage.</p>		<p>Avoid being inserted dust and especially metal material into the equipment</p>
	<p>Do not disjoint or disassemble the equipment. Bionet Co.Ltd takes no responsibility for it</p>		<p>Power off when the equipment is not fully installed. Otherwise, equipment could be damaged.</p>

## General Precaution on Electric Safety

**Warning: Check the item listed below before operating the equipment.**

1. Be sure that AC power supply line is appropriate to use.  
(AC 100 - 240V)
2. Be sure that the power source is the one supplied from Bionet.  
(DC 18V, 2.5A)
3. Be sure that the entire connection cable of the system is properly and firmly fixed.
4. Be sure that the equipment is completely grounded. (Otherwise, noise could result.)
5. The equipment should not be placed in the vicinity of electric generator, X-ray, broadcasting apparatus to eliminate the electric noise during operation. Otherwise, it may cause incorrect result.

<b>NOTE</b>
The Equipment should be placed far from generator, X-ray equipment, broadcasting equipment, or transmitting wires, so as to prevent the electrical noises from being generated during the operation, When these devices are near the Equipment, it can produce inaccurate measurements. For BM3, both independent circuit and stable grounding are essentially required. In the event that same power source is shared with other electronic equipment, it can also produce inaccurate output

<b>Warning</b>
Do not use the System for any monitoring procedure on a patient if the monitor is not working properly, or if it is mechanically damaged. Contact the hospital biomedical engineer, or your supplier



**NOTE****BM3 is classified as follows. :**

- It is a class I type-CF Class equipment in terms of electrical shock prevention. It is not proper to operate this Equipment around combustible anesthetic or dissolvent.
- The noise level is "B" Class according to the IEC/EN 60601-1 (Safety of Electric Medical Equipment), and the noise redemption is "B" Level according to the IEC/EN 60601-1-2 (Electromagnetic Compatibility Requirements).

**Equipment connection****CAUTION**

In the hospital, doctors and patients are expose to dangerous, uncontrollable compensating currents. These currents are due to the potential differences between connected equipment and reachable conducting parts often in the medical rooms. The safety solution to the problem is accomplished with consistent equipment

**Maintenance and Cleaning**

Using various methods can clean BM3 and its accessories. Please follow the methods mentioned below to avoid unnecessary damage or contamination to the Equipment.

In the event that harmful (unauthorized) materials are used for cleaning, the damaged or contaminated Equipment shall not be serviced without charges regardless of warranty period.

**Caution!**

Please check carefully both frame and sensor, after cleaning the Equipment, Do not use the Equipment that is worn out or damaged.

At least once a month, clean and wipe off the frame by using the soft cloth after wetting it with lukewarm water and alcohol. Do not use lacquer, thinner, ethylene, or oxides, which could be harmful to the Equipment.

Make sure both cables and accessories are free of dust or contaminants, and wipe them off with soft cloth wetted with lukewarm water(40°C / 104°F), and at least once a week, clean them by using the clinical alcohol.

Do not submerge the accessories under any liquid or detergent. Also, make sure any liquid not to penetrate into the Equipment or probe.

### Caution!

Do not dispose single use probe to any hazard place, Always think about environmental contamination

### Caution!

There is back-up battery on board inside system. When users dispose this chip. Please waste proper place for environmental protection  
CR2032 3.0Volt battery

Warning: Check the electrodes of batteries

before changing them.

## 3. Performance Specification

### Ease of use

- Battery operation

- Optional integrated strip chart recorder
- mounting to a roll stand supports bedside availability

### **Customization**

- Tabular and Graphical Trends
- Compatible with Nellcor reusable and disposable SpO2 sensors

### **Special Features**

- Direct DC input for transport needs
- LAN data export interface
- Nurse call alarm capability

### **Monitor Environmental Specifications**

- Operating Temperature: 0°C to 50°C (32°F to 122°F)
- Storage Temperature: - 20°C to 60°C (- 4°F to 140°F)
- Operating/Storage Humidity: 5% to 95% RH, non-condensing
- Operating Altitude: 0 to 3,048 m (0 to 10,000 ft.)

### **Power**

- 18 VDC, 2.5 A max , Adapter

### **Monitor Performance Specifications**

- Display:
  - LCD 5.7" color
- Indicators
  - Up to 3 waves (ECG, SpO2, Respiration)
  - categorized alarms (3 priority levels)
  - visual alarm
  - heart rate tone
  - battery status
  - external power LED
- Interfaces
  - DC input connector: 10 to 16 V DC, 3A max.
  - Defib Sync Output
    - Signal Level: 0 to 5 V pulse

Pulse Width: 100 ±10 ms

Delay from R-wave peak to start of pulse: 35 ms, maximum

Short circuit current: 15 mA Minimum required R-wave  
amplitude: 0.5 V

- LAN digital output for transferring data to an external computer
- nurse call
- Battery (standard)
  - internal battery: sealed lead-acid
  - battery status indicator
  - Operating Time: 2.5 hours typical (fully charged battery)
- Thermal Printer (Optional):
  - Speeds: 25, 50 mm/sec
  - Paper Width: 58 mm

### Graphical and Tabular Trends

- Tabular Trends
  - Memory Storage: 24 hours
  - Data Interval: 1 minute
  - Display Interval: 1MIN, 5, 15, 30, 1HR
  - Tabular Format: One table for all variables
- Graphical Trends
  - Display Period: 30MINS, 60, 90, 3HRS, 6, 12

### SpO<sub>2</sub> Performance Specifications

- % Saturation Range: 0% to 100%
- Pulse Rate Range: 30 to 300 bpm
- SpO<sub>2</sub> Accuracy: 70% to 100% ± 2 digits, 0% to 69% unspecified
- Pulse Rate Accuracy: ± 3 bpm

### NIBP Performance Specifications

- Technique: oscillometric
- Measurement Modes:
  - Manual: Single measurement
  - Auto: Automatic intervals of 1MIN, 2, 3, 4, 5, 10, 15, 20, 30, 1HR, 2, 4, 8
- Cuff Pressure Display: 30 to 300 mmHg
- Blood Pressure Measurement Range:

- Systolic: 60 to 250 mmHg
- Mean Arterial Pressure: 45 to 235 mmHg
- Diastolic: 40 to 220 mmHg
- Pulse Rate Range: 40 to 200 bpm

### **ECG Performance Specifications**

- Leads: 3 leads
- Heart Rate Range: 30 to 300 bpm
- Heart Rate Accuracy:  $\pm 3$  bpm
- Bandwidth: 0.5 Hz to 40 Hz
- Display Sweep Speeds: 25mm/sec
- ECG Size (Sensitivity): 0.5, 1, 2, 4 mV/cm
- Lead-Off Detection with display indicator
- Pacemaker Detection Mode: Indicator on waveform display,  
user selectable
- Differential Input Impedance:  $> 5$  Mohm
- Common Mode Rejection Ratio:  $> 90$  dB at 50 or 60 Hz
- Input Dynamic Range:  $\pm 5$  mVAC,  $\pm 300$  mVDC
- Defibrillator Discharge:  $< 5$  s
- Defibrillation Artifact Recovery Time:  $< 8$  s

### **Respirations Performance Specifications**

- Range: 5 to 120 breaths/min
- Accuracy:  $\pm 3$  breaths/min
- Display Sweep Speeds: 25mm/sec

### **Temperature Performance Specifications**

- Range: 15°C to 45°C (59°F to 113°F)
- Accuracy: 25°C to 45°C  $\pm 0.2^\circ\text{C}$ , 15 °C to 24°C  $\pm 0.3^\circ\text{C}$
- Compatible with YSI Series 400 Temperature Probes

### **Accessories included:**

- |                        |      |
|------------------------|------|
| - 3-lead patient cable | 1ea  |
| - electrodes           | 10ea |

- NIBP tubing, 3 m long 1ea
- Adult cuff, 25-35 cm, reusable 1ea
- SpO2 sensor extension cable(2 m) 1ea
- SpO2 sensor, reusable 1ea
- DC adapter, 18VDC, 2.5A 1ea
- Temperature probe Surface/Skin, reusable(OPTION)
- rolls of paper. (OPTION)
- 5-lead patient cable(OPTION)

## 4. Equipment Overview

### Overview of the Product

BM3 monitor is a product used for monitoring biological information and

occurrence of a patient. Main functions of the product include displaying information such as ECG, respiration, SpO<sub>2</sub>, NIBP and temperature on its LCD screen and monitoring parameter, and alarming. It also prints out waves and parameters via a printer.

## Features of the Product

BM3 is a small-size multifunctional monitoring equipment for a patient designed to an easy usage during movement. It features devices for auto power supply (DC 10V-16V) and DC power supply (DC 18V) as well as installing its handle to the patient's bed. The equipment also measures major parameters such as ECG, SpO<sub>2</sub>, NIBP, temperature and pulse, displaying it on a 5.7-inch color LCD screen. It also enables users to check waves and parameters and other vital signs of a patient via the 58mm thermal printer and monitor the patient by the remote-controlled alarm system. It also enables to build a central monitoring system by linking devices used for separate patients so that one can monitor several patients at a time.

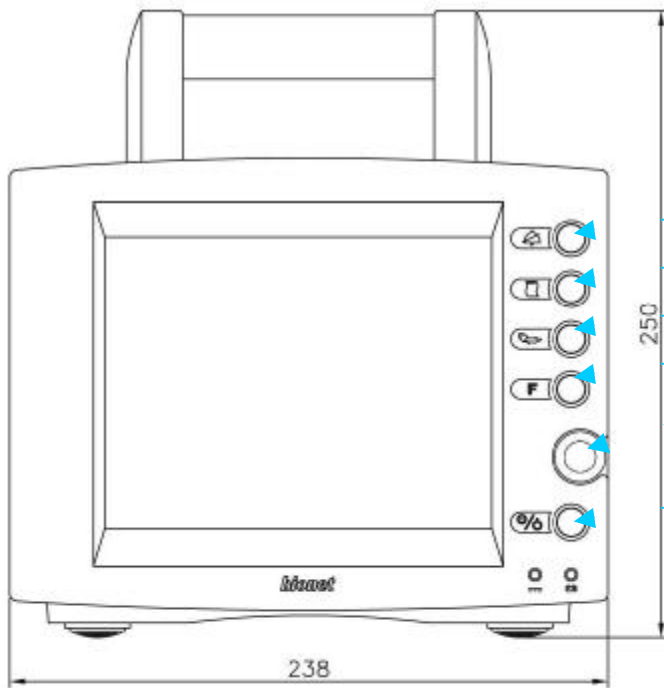
Warning
<b>In order to avoid electrical shock, do not open the cover. Disassembling of the Equipment have to be done only by the service personnel authorized by</b>

BiONET Co. Ltd.

**Warning**

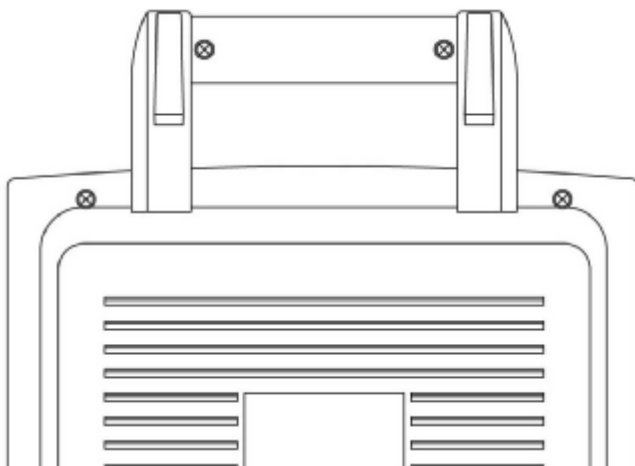
Users must pay attention on connecting any auxiliary device via LAN port or nurse calling. Always consider about summation of leakage current, Please check if the auxiliary device is qualified by IEC 60601-1, or consult your hospital biomedical engineer

**Features of Main Body**



- SILENCE ALARM KEY
- PRINT GO/STOP KEY
- NIBP GO/STOP KEY
- FUNCTION KEY
- TRIM KNOB CONTROL KEY
- POWER KEY

**Front**

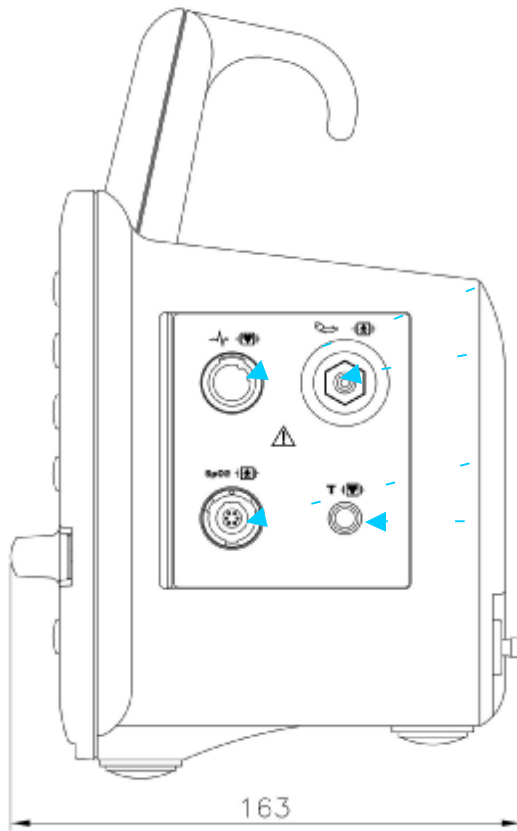






- Protective Ground Terminal
- DC Power Input Port
- Defib Sync
- RJ45 LAN Port
- RS-232C Serial Port
- /Nurse Call

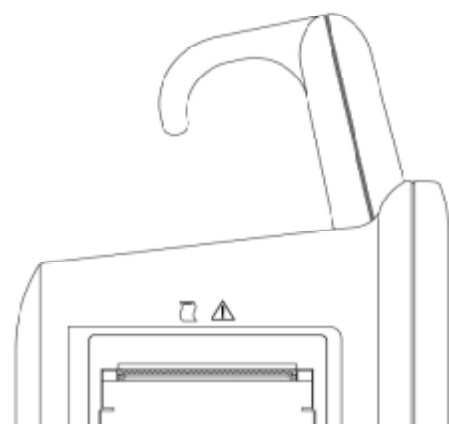
Back



- ECG Probe Connector
- NIBP Probe Connector
- SpO<sub>2</sub> Probe Connector
- TEMP Probe Connector

▲ Right side

▼ Left side



PRINTER



### Accessories



ECG Cable



ECG wire



SpO2 Cable



SpO2 Extention cable









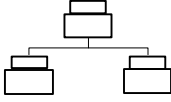
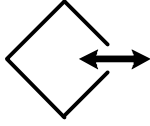
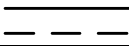
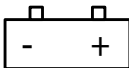
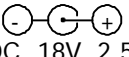
(option) Temperature Cable

**NIBP CUFF**

**TEMP(OPTION)**

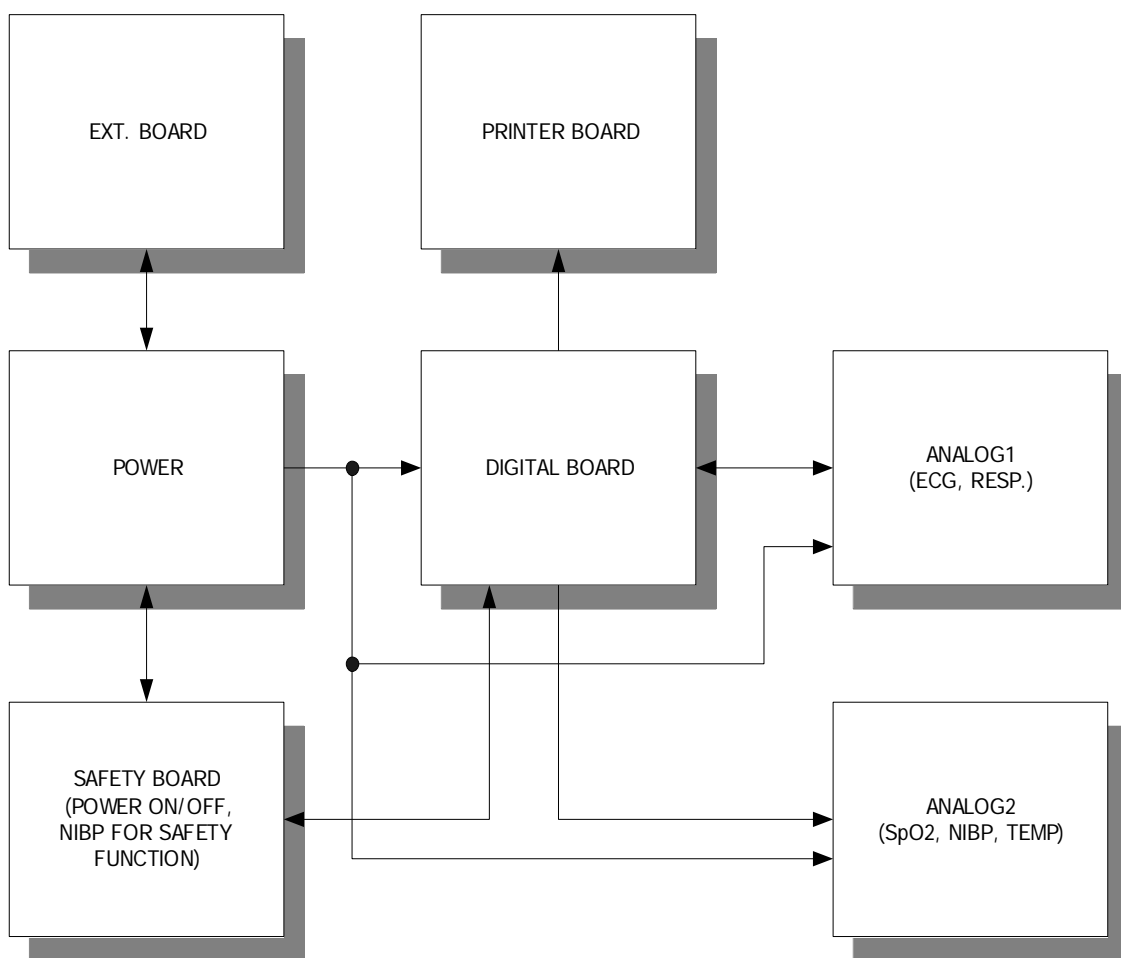
### Equipment Symbols

	<p>ATTENTION : Consult accompanying documents</p>
	<p>TYPE CF APPLIED PART : Insulated (floating) applied part suitable for intentional external and internal application to the patient including direct cardiac application. “Paddles” outside the box indicate the applied part is defibrillator proof.</p> <p>Medical Standard Definition : F-type applied part (floating/insulated) complying with the specified requirements of IEC 60601-1/UL 2601-1/CSA 601.1 Medical Standards to provide a higher degree of protection against electric shock than that provided by type BF applied parts.</p>
	<p>TYPE BF APPLIED PART : I Insulated (floating) applied part suitable for intentional external and internal application to the patient excluding direct cardiac application. “Paddles” outside the box indicate the applied part is defibrillator proof.</p>

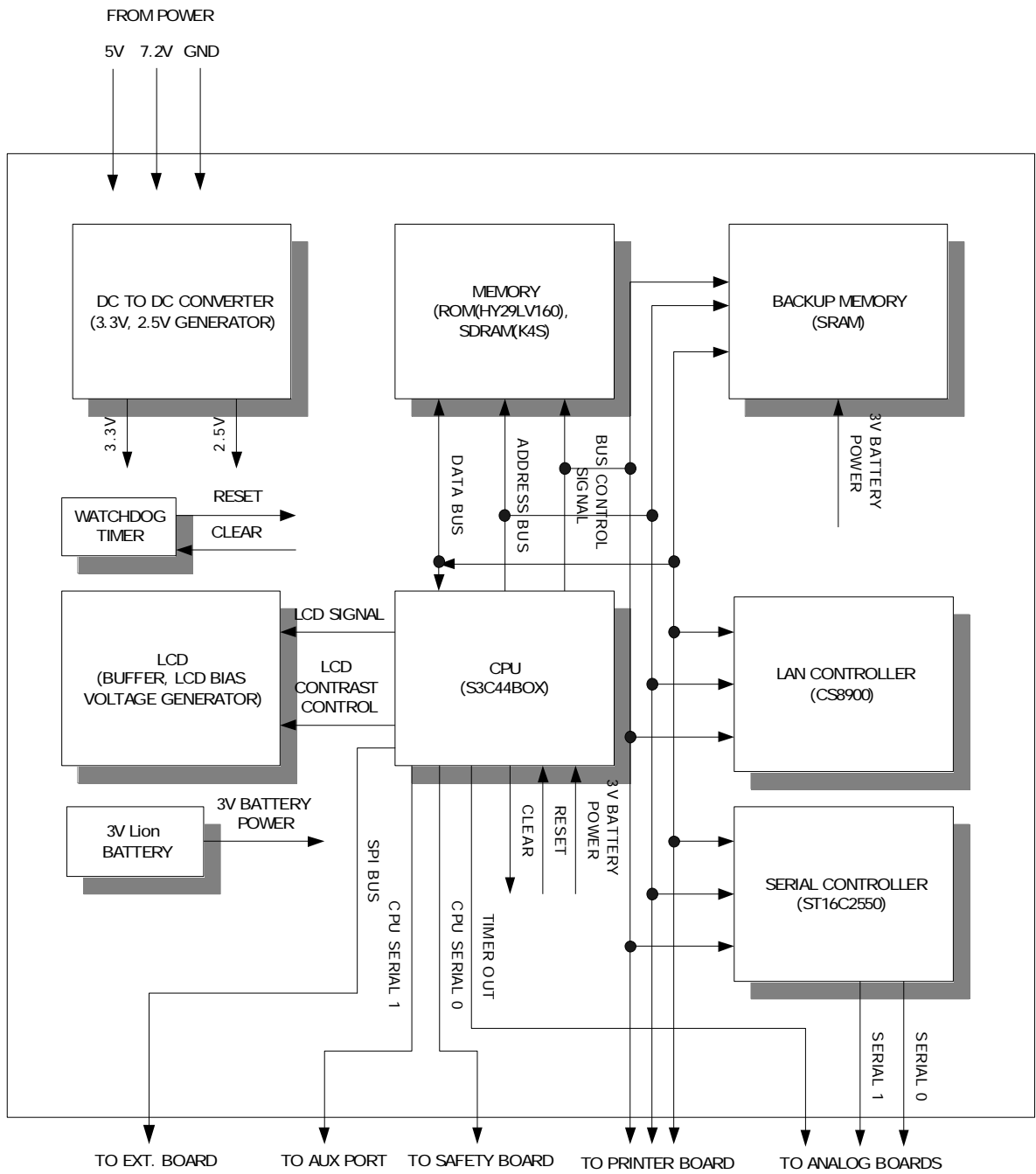
	<p>Medical Standard Definition : F-type applied part (floating/insulated) complying with the specified requirements of IEC 60601-1/UL 2601-1/CSA 601.1 Medical Standards to provide a higher degree of protection against electric shock than that provided by type B applied parts.</p>
	Equipotentiality
	PAPER
	RS-232
	LAN
	AUX CONNECTOR
	DC INPUT INDICATOR
	BATTERY OPERATION INDICATOR
 DC 18V 2.5A	DC INPUT CONNECTOR

## 5. System Construction

Block Diagram



## Digital Board



**Power components**

Power boards receives +5V, then creates 3.3V and 2.5V through the direct-direct rectifier.

**CPU components**

Samsung's S3C44B0X is installed operating at the 3.5 times speed of 18.432MHz, 64.512MHz. The CPU includes the STN LCD CONTROLLER; Real Time Clock is installed inside allowing the activation of the interior clock, if the crystal of 32.768KHz and power are supplied.

**Memory components**

Consists of the ROM 2MByte (Hynix HY29LV160BT) and RAM 8MByte (Samsung K4S641632); by moving program images of the ROM to RAM commands are run.

**BACKUP Memory component**

Consists of the 128KByte SRAM and the SRAM BACKUP CONTROLLER; Lion Battery of 3V is required. Data needed even when the power is turned on is saved.

**LCD components**

Consists of the signal buffer, the DAC (Digital-Analog Converter), the Op Amp and the DC-DC Converter. DC-DC Converter converts +5V into +28V then supplies power to the Op Amp. The Op Amp multiplies the output of the DAC (0~2V) by 15 times. The output of the Op Amp equals to the LCD Bias Voltage. +3.3V signals from the CPU becomes +5V signals through the buffer, then is supplied to the LCD.

**LAN Controller**

Consists of Cirrus Logic's CS8900 Ethernet Controller and supports 10Base-T.

**3V Lion**

Back-up power for CPU's RTC and SRAM.

**WATCH DOG TIMER**

Resets the system should there be any failure in the system operation; saves system settings in the interior memory



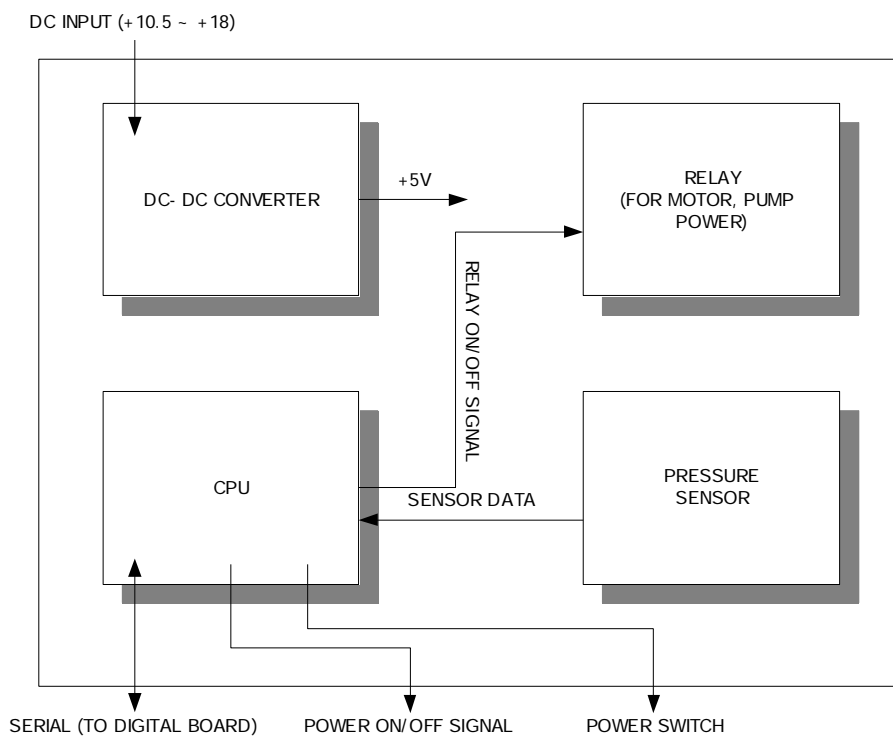
## Serial Controller

Communicates with the analog board through two serial channels.

## Safety Board

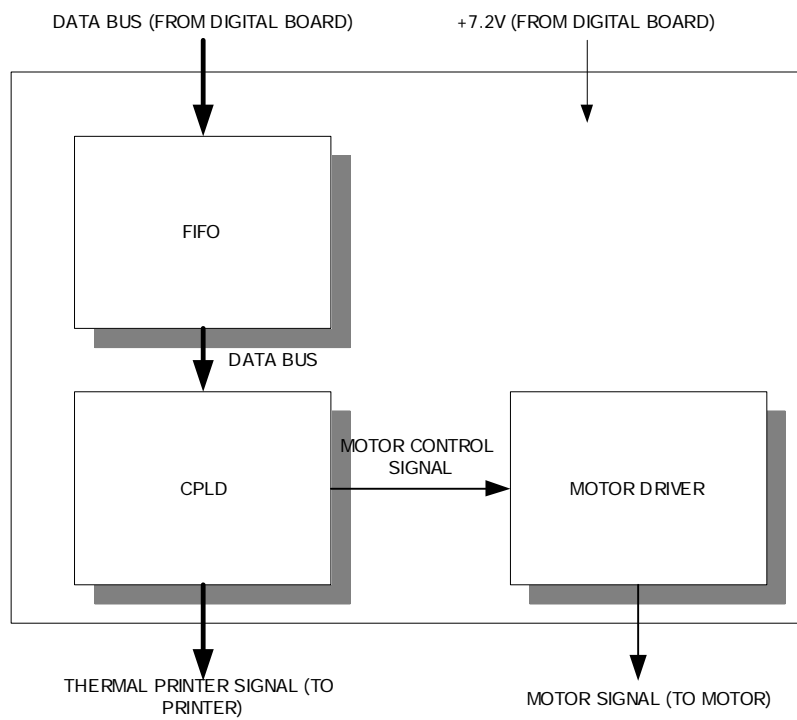
Cuts power off to the monitor and the pump in case of over pressure/over

time to stabilize NIBP; controls the overall power by receiving signals from power switch.



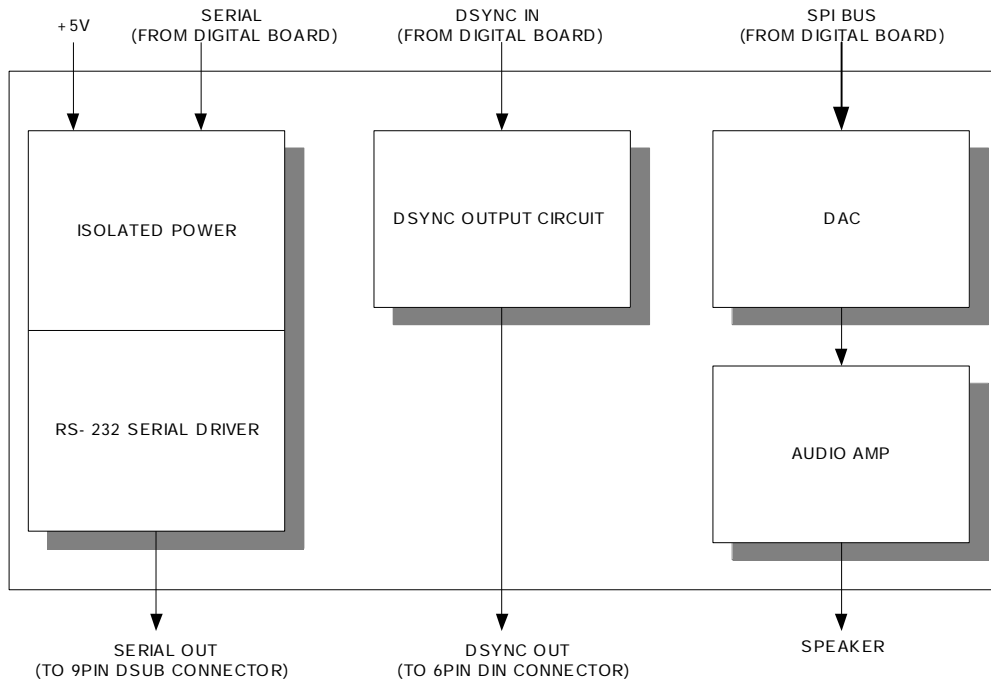
## Printer Board

**Connects to the Digital Board; generates the printer and the motor controlling signals using CPLD (Complete Program Logic Device)**



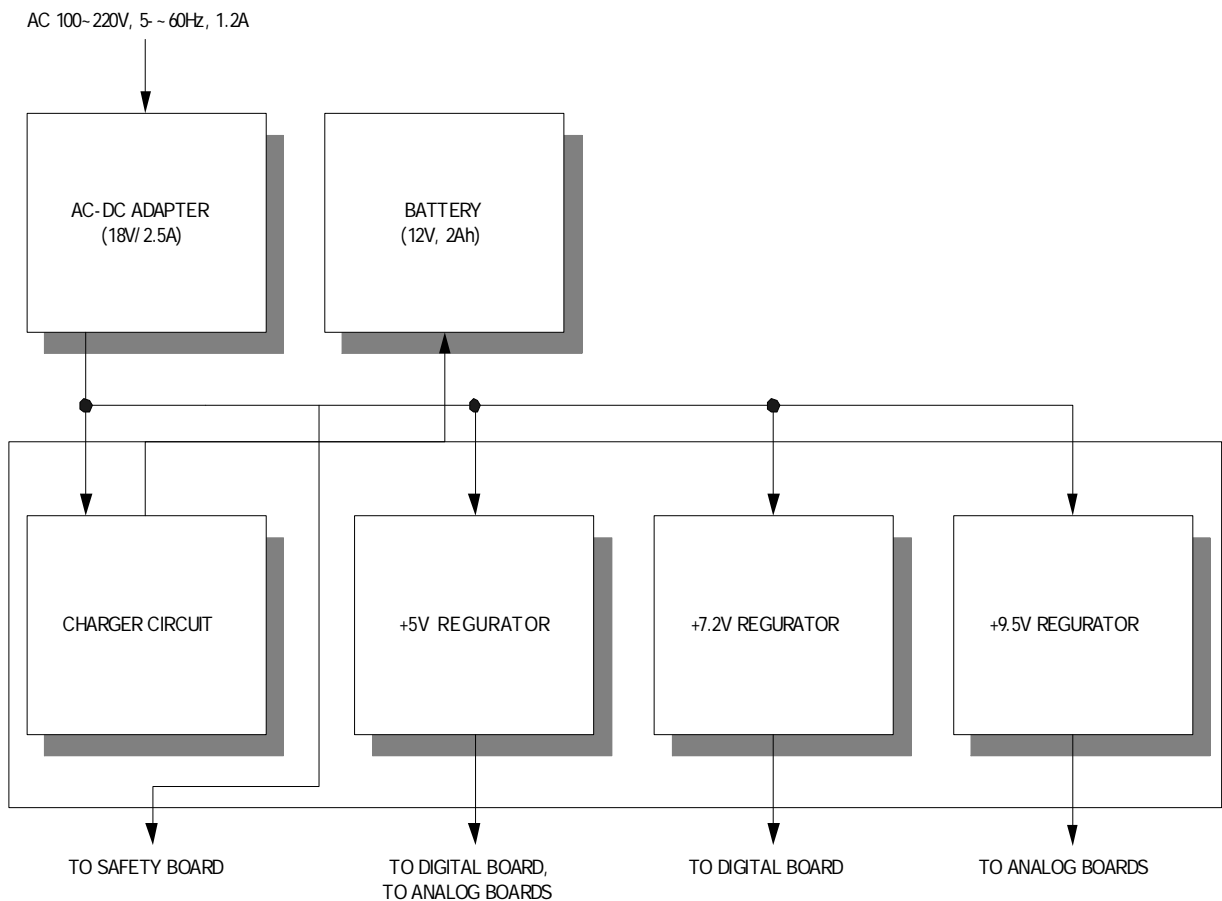
## Ext. Board

Consists of the Speaker drive circuit, exterior serials and Dsync outputs



## Power Board

Supply power for each board while recharging.



### **Power Supply Fuse**

**An A.C Fuse of 250V/1.6A is built in the adapter. BM3's POWER Borad is protected by Fuse 5A/125V connected with a Battery protection Fuse 5A/125V which protects the product.**

## **6. System Inspection**

### **PRINTER**

#### **Inspection contents**

- Pinter status
- No Paper
- Set the Speed
- Pinter noise

## Inspection standards

- Detect the paper
- Normal operation in the speed 25mm/s, 50mm/s
- Noise when you use print
- Clear output

## Inspection procedure

- Check the detection of the paper when the paper is in the device or not
- Check the speed of the printing after changing the printing speed
- Check the noise when print is working
- Check the status of the print-output

## ECG

### Inspection contents

- Lead Select
- Lead Fault
- Gain 1mV
- Pace Detect
- Noise

### Inspection standards

- The alteration of the setting values of the lead(3 lead: I,II,III)
- Detect the each lead fault
- 10hz sine wave Amp : 10mm +/- 1mm
- Detect the pace maker signal
- 1mm

### Inspection procedure

- Check the alteration after connecting the 5 leads ecg cable to simulator
- Check the lead fault in the each lead
- Check the gain of the printer-output after setting the 10hz sine wave in the simulator
- Check the letter P in the display after setting the pace mode in the simulator
- Check the size of the base noise after connecting the human body

## RESPERATION

### Inspection contents

- Gain  $1\Omega$
- Noise

### Inspection standards

- The wave size in the LCD display and printer should be within 10mm +/- 1 mm.
- The wave size of the noise in the LCD display and printer should be within 2 mm.

### Inspection procedure

- Check the gain of the printer-out by using the simulator ;  $1\Omega$
- Check the noise by using the simulator ;  $0\Omega$ , display x10

## SpO2

### Inspection contents

- Precision
- No finger
- Lead Fault

## Inspection standards

- Amp. 0.3 , %spo2 96: +/- 2
- Detect the NO FINGER
- Detect the lead fault

## Inspection procedure

- Check the error by using the simulator ; Amp 0.3, % 96
- Check the message when you don't put the finger in the Probe
- Check the message when the spo2 connector is disconnected from the main device

# TEMP

## Inspection contents

- Precision
- Lead Fault

## Inspection standards

- The temp. 20, 37°C : +/- 0.1°C
- Detect the lead fault

## Inspection procedure

- Check the error after setting temp. by using the precision -resistance box

- Check the message when the temp connector is disconnected from the main device

## NIBP

### Inspection contents

- Precision
- Set the Zero
- Operate the OVP
- Auto measurement

### Inspection standards

- The mean values after measuring 5 times : +/- 5mmHg
- Set the normal zero
- adult : 290mmHg
- Auto measurement in the auto-mode

### Inspection procedure

- Check the values 5 times in the arm cuff mode by using the simulator ; 120/93/80, 200/196/180
- Set the zero in the device
- Check the OVP operation by using the simulator ; 290mmHg
- Check the operation in the interval 1 minute

## ALARM

### Inspection contents

- Control the volume of the sound
- Operate the alarm



## Inspection standards

- Control the volume of the sound
- The alarm mode according the setting values & situation

## Inspection procedure

- Check the volume level of the sound
- Check the alarm sound after changing the ECG HR

## Electrical safety

### Inspection contents

- Inspect the voltage
- Inspect the patient leakage current

### Inspection standards

- Between the power terminals :1500Volt
- Between the power and ECG electrode : AC4000Volt
- Between the power and temp : AC4000Volt
- Patient leakage current should be under 50uA

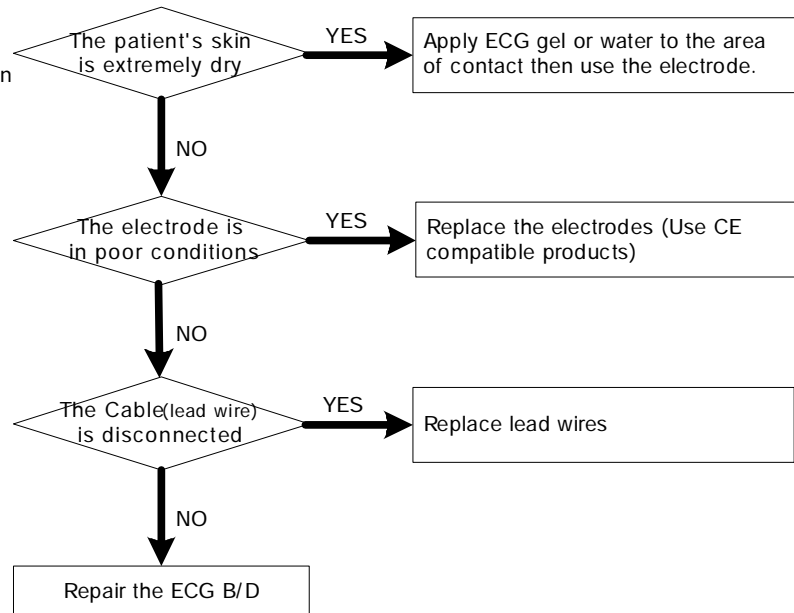
### Inspection procedure

- Check the insulation after giving the AC1500Volt during 60 sec. between power terminals
- Check the insulation after giving the AC4000Volt during 60 sec. between power terminals and terminals of the ECG electrode
- Check the insulation after giving the AC4000Volt during 60 sec. between power terminals and the temp sensor
- Check the leakage current after connecting the all sensor

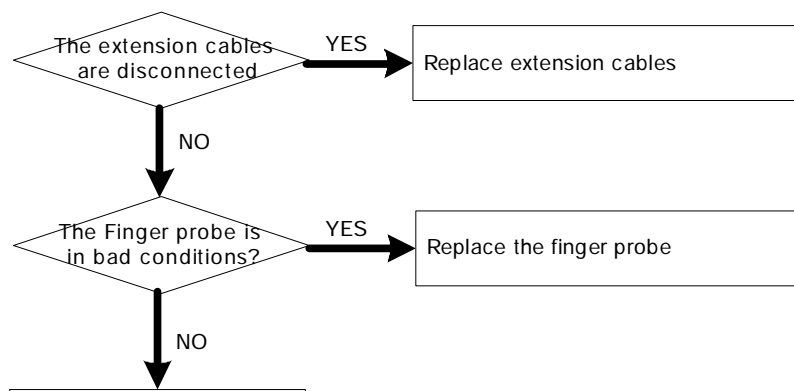
# 7. Trouble Shoot

## 1. Noise in ECG

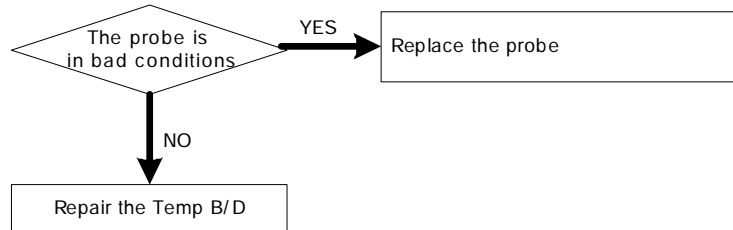
- Gel is dry.
- Electrodes does not stick well to skin



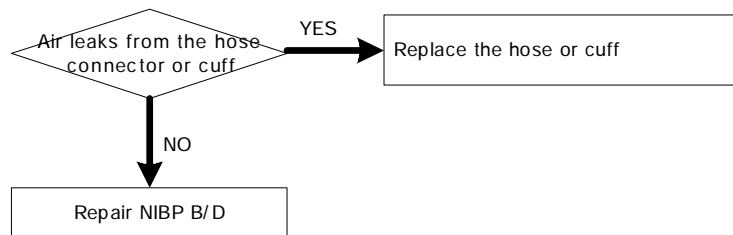
Connecters of the equipments are in bad conditions?



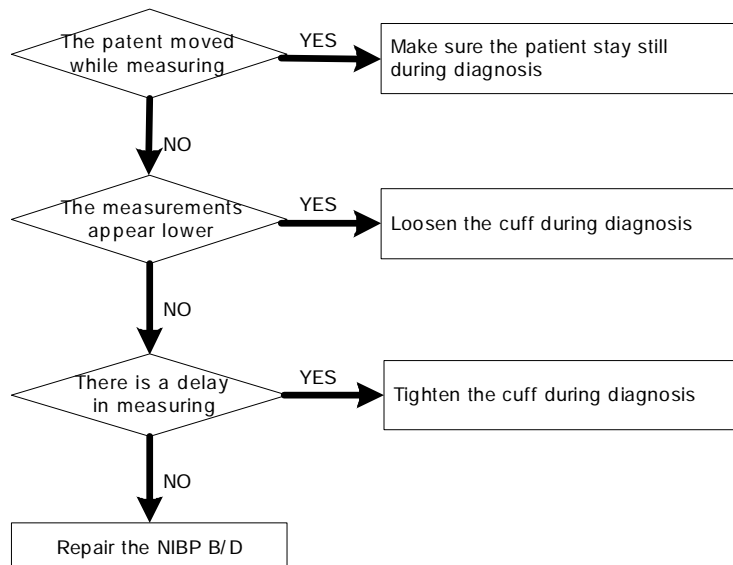
### 3. Temp malfunction



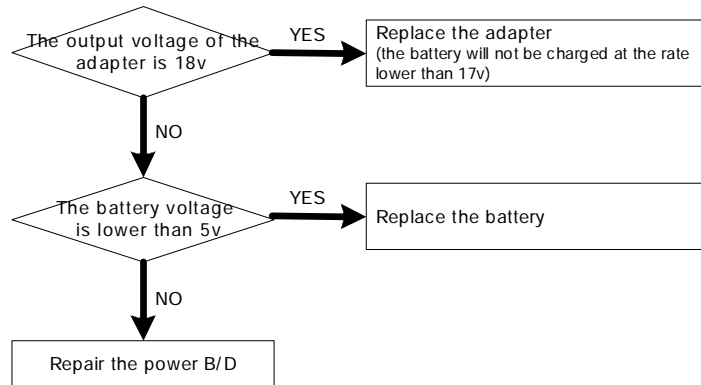
### 4. NIBP malfunction



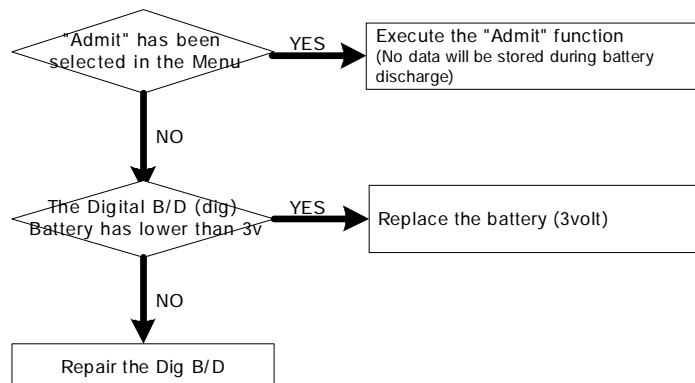
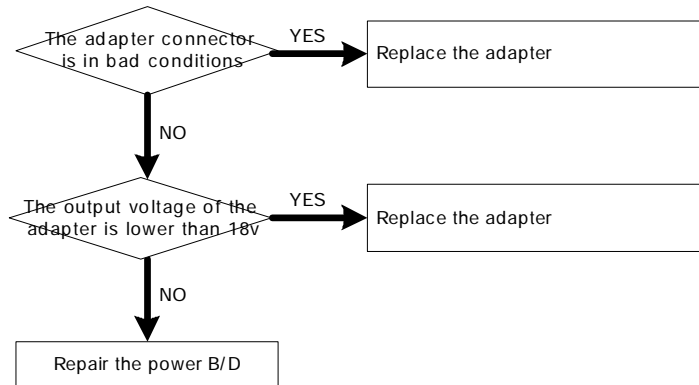
### 5. Abnormality in NIBP measurements



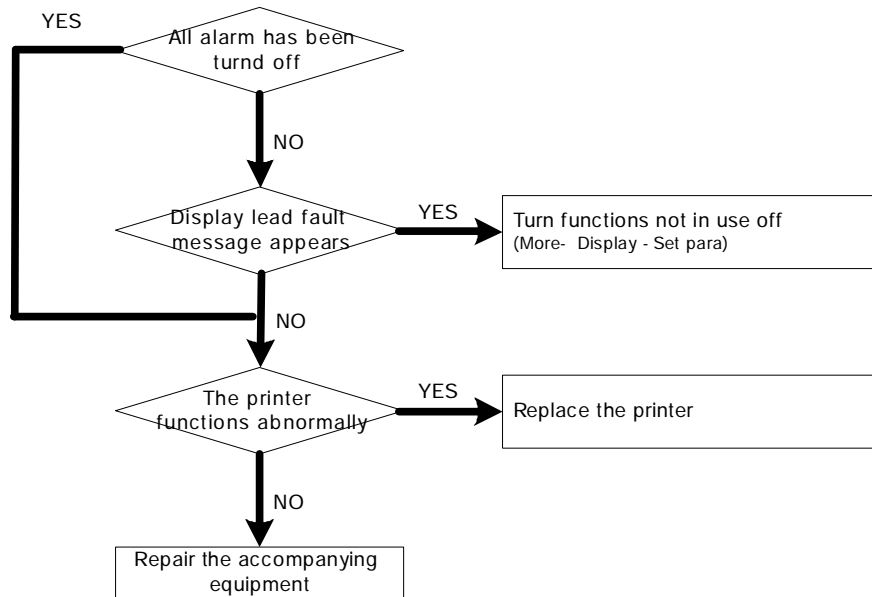
### 6. Failure in battery recharge (the battery does not fully recharge in 6 hours or more)



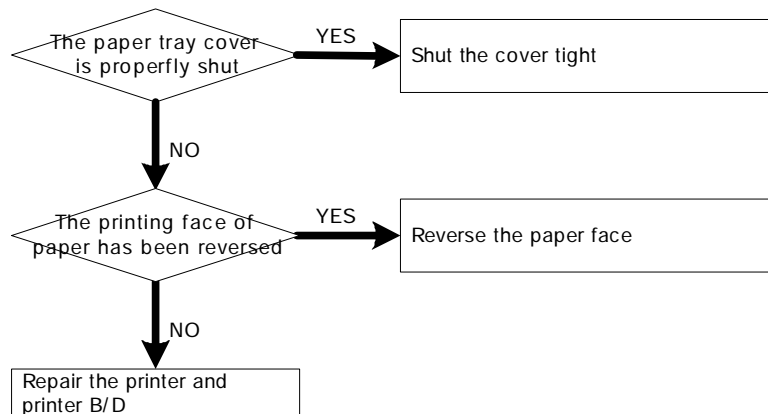
### 7. Power failure



### 9. Periodic noises



### 10. Print failure



# 8. Exploded View

NO	PART IDENTIFIER	DESCRIPTION	QTY	REMARKS
1	400-M-COV-1110A	FRONT COVER	1	
2	400-D-980-3130A	WINDOW (L,F)	1	
2-1	400-D-980-3130A	WINDOW (R,F)	1	OPTION
3	400-M-430B-3140A	FUNCTION KEYS	5	
4	80-400-927-001	KEY S/D ASSY	1	
5	8730089Y	DAPPING SCREW(2xL, ROUND)	18	
6	400-P-SCT-3170A	LCD BRACKET (S,F)	1	
6-1	400-P-SCT-3170A	LCD BRACKET (L,F)	1	OPTION
7		LCD ASSY(L,F)	1	
7-1		LCD ASSY(R,F)	1	OPTION
8	8630089P	SCREW(2xL, ROUND)	42	
9	80-400-988-001	PRINTED S/D ASSY	1	
10	80-400-988-001	PRINTED S/D ASSY	1	
11	400-M-430B-3130A	ROTARY KEYS	1	
12	400-A-SCT-3230A	LOWER BRACKET ASSY	1	
13	400-B-SCT-3210A	INSULATOR SHEET	1	
14	400-B-PAD-3220A	PAD (A)	1	
15	80-400-008-001	CONNECTOR S/D ASSY	1	
16	400-P-SCT-3230A	PRINTED BRACKET	1	
17	400-M-920-3240A	PCB BRACKET	1	
18	8630089W	SCREW(2xL, DIN)	4	
19	400-P-SCT-3230A	JACK BRACKET	1	
20	80-400-970-001	I/O S/D ASSY	1	
21	400-M-COV-3280A	JACK COVER	1	
22		ECG CONNECTOR ASSY	1	
23		SP43 CONNECTOR ASSY	1	
24		MSIP CONNECTOR ASSY	1	
25		TEMP CONNECTOR ASSY	1	
26	8730089Y	DAPPING SCREW(2xL, ROUND)	2	
27	80-400-AN1-001	ANALOG S/D ASSY	1	
28	80-400-AN2-001	ANALOG S/D ASSY	1	
29	80-400-PWR-001	POWER S/D ASSY	1	
30	400-P-SCT-3290A	PUMP BRACKET	1	
31		PUMP (3220)	1	
32	400-B-PAD-4280A	PAD (B)	1	
33	400-P-SCT-3330A	COVER BRACKET	1	
34	400-P-SCT-3310A	REAR BRACKET	1	
35		SPEAKER ASSY	1	
36	POL-100-EARTH	END POLE ASSY	1	
37	400-M-COV-1330A	REAR COVER	1	
38	400-M-180-2330A	HANDLE-FRONT	1	
39	400-M-180-2340A	HANDLE-REAR	1	
40	400-M-180-3300A	HANDLE-HOOK	2	
40-1	400-M-180-4300A	HANDLE-RUBBER	2	OPTION
41	8730120Y	DAPPING SCREW(2xL, ROUND)	2	
42	8730180Y	DAPPING SCREW(2xL, ROUND)	2	
43	8630089P	SCREW(2xL, ROUND)	4	
44	400-M-FRM-3010A	PRINTED FRAME	1	
45	80-400-926W-001	PRINTED SENSOR S/D ASSY	1	
46	8730089Y	DAPPING SCREW(2xL, ROUND)	2	
47	86M-01A	MOTOR ASSY	1	
48	8617039P	SCREW(2xL, ROUND)	2	
49	400-M-020-3020A	GEAR (A)	1	
50	400-M-020-3030A	GEAR (B)	1	
51	400-L-SFT-4045A	SHAFT	1	
52	F048-SH71	TRN ASSY (AG)	1	
53	400-P-SFT-3080A	PLATE SPRING	1	
54	400-A-RDL-3070A	PLATEN ROLLER ASSY	1	

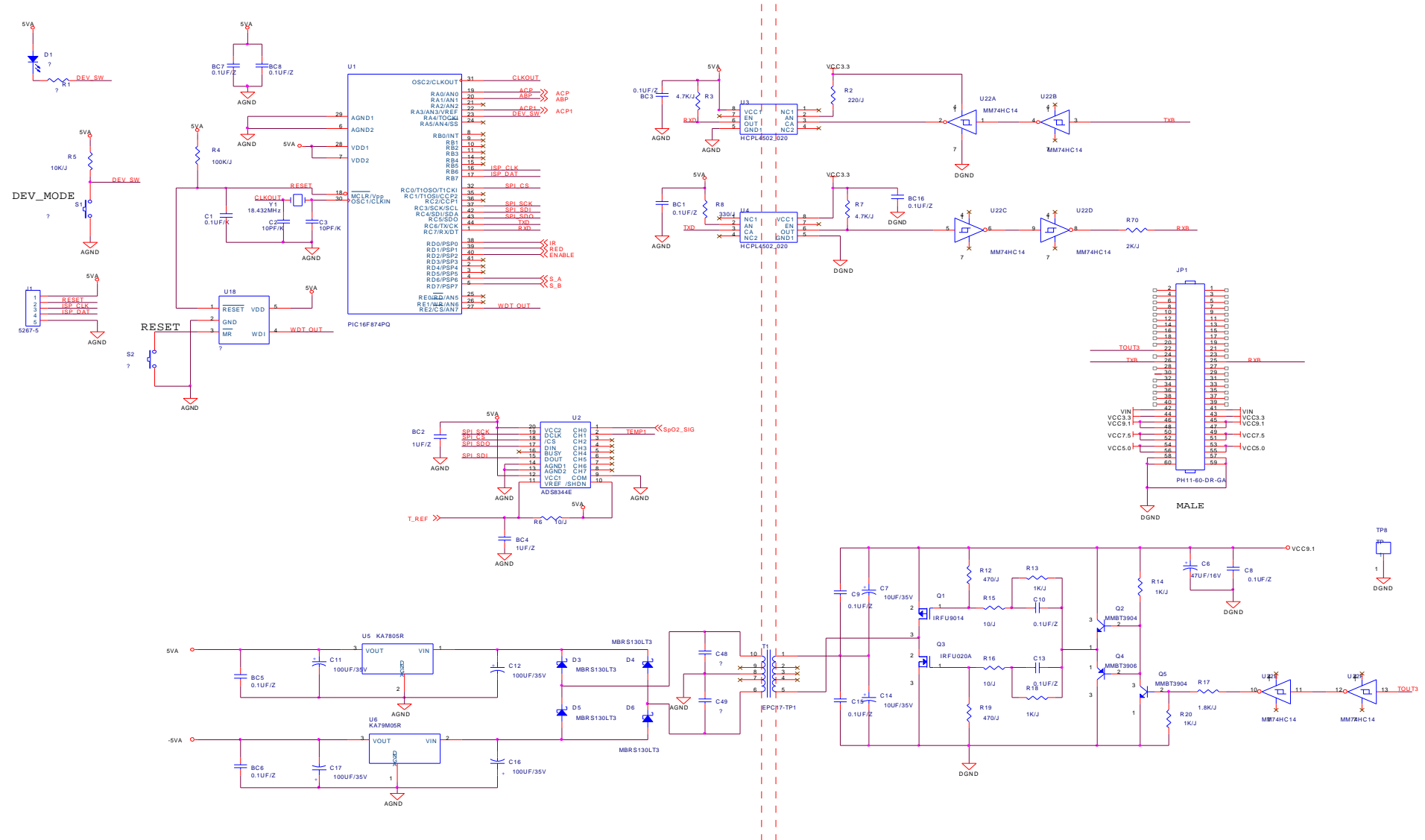
55	400-M-020-3080A	PLATEN GEAR	1	
56	400-M-COV-3090A	PRINTED COVER	1	
57	80-400-PCOM-001	PRINTED CONNECTOR S/D ASSY	1	
58	400-M-COV-3370A	PROTECT COVER	1	OPTION
59		BATTERY	1	
60	400-M-COV-3390A	BATTERY COVER	1	
61	400-M-PAD-3390A	PAD (C)	1	
62	400-L-SOR-4400A	SCREW	2	
63	400-M-LBL-4410A	MARK LABEL	1	
64	400-M-LBL-4420A	ID LABEL	1	
64	PLP-22	FOOT(22x5)	4	

NO	REV	DESCRIPTION	DATE	BY	CHK
1	1	EXPLODED VIEW	2000.03.12		
2	1				
3	1				
4	1				
5	1				
6	1				
7	1				
8	1				
9	1				
10	1				
11	1				
12	1				
13	1				
14	1				
15	1				
16	1				
17	1				
18	1				
19	1				
20	1				
21	1				
22	1				
23	1				
24	1				
25	1				
26	1				
27	1				
28	1				
29	1				
30	1				
31	1				
32	1				
33	1				
34	1				
35	1				
36	1				
37	1				
38	1				
39	1				
40	1				
41	1				
42	1				
43	1				
44	1				
45	1				
46	1				
47	1				
48	1				
49	1				
50	1				
51	1				
52	1				
53	1				
54	1				

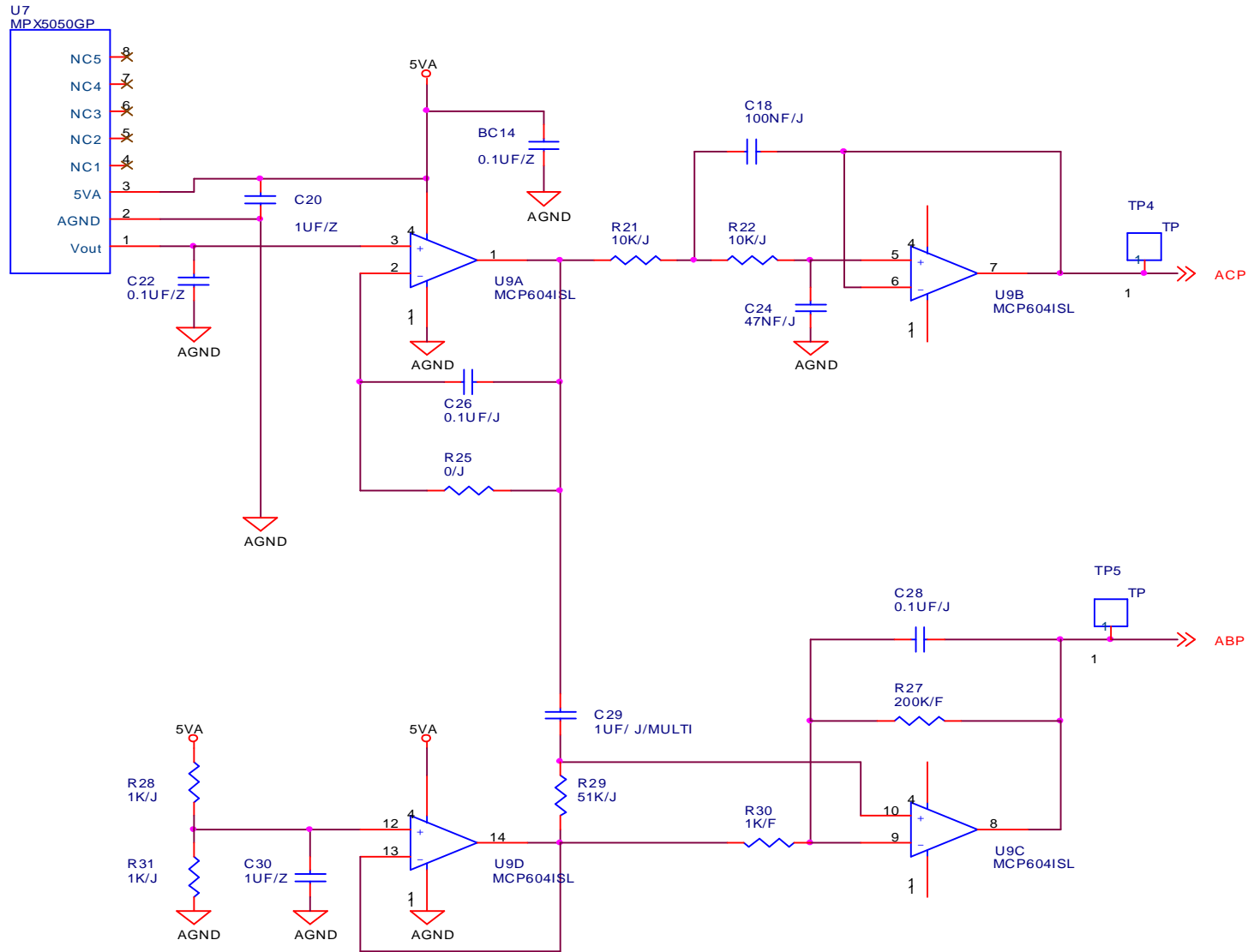
HOOK LEE  
 BIO2NET CO., LTD. A1  
 400-887

# 9. Circuit Diagram

## Analog1 b/d, digital part

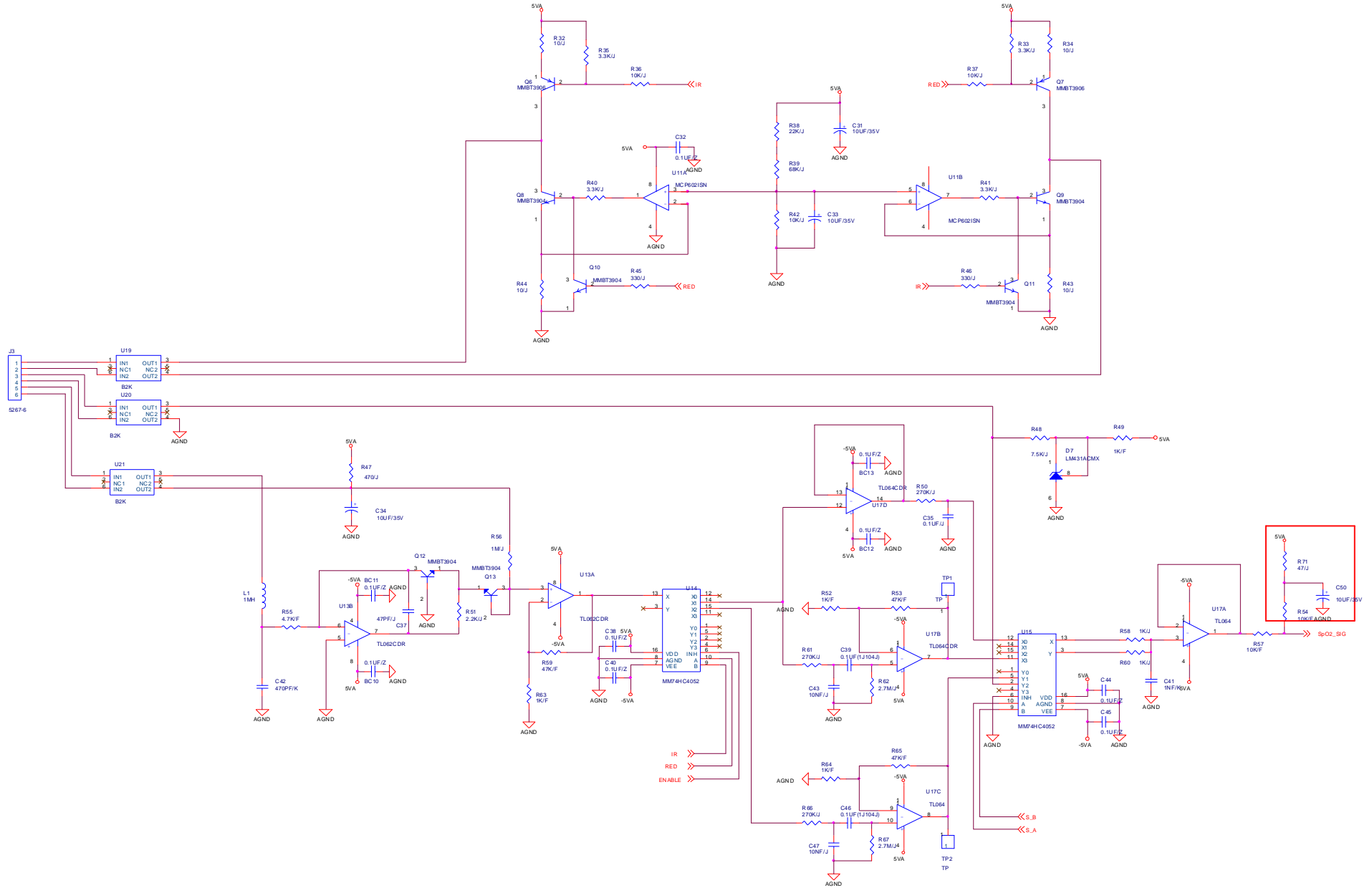


**Analog1 b/d, Nibp part**

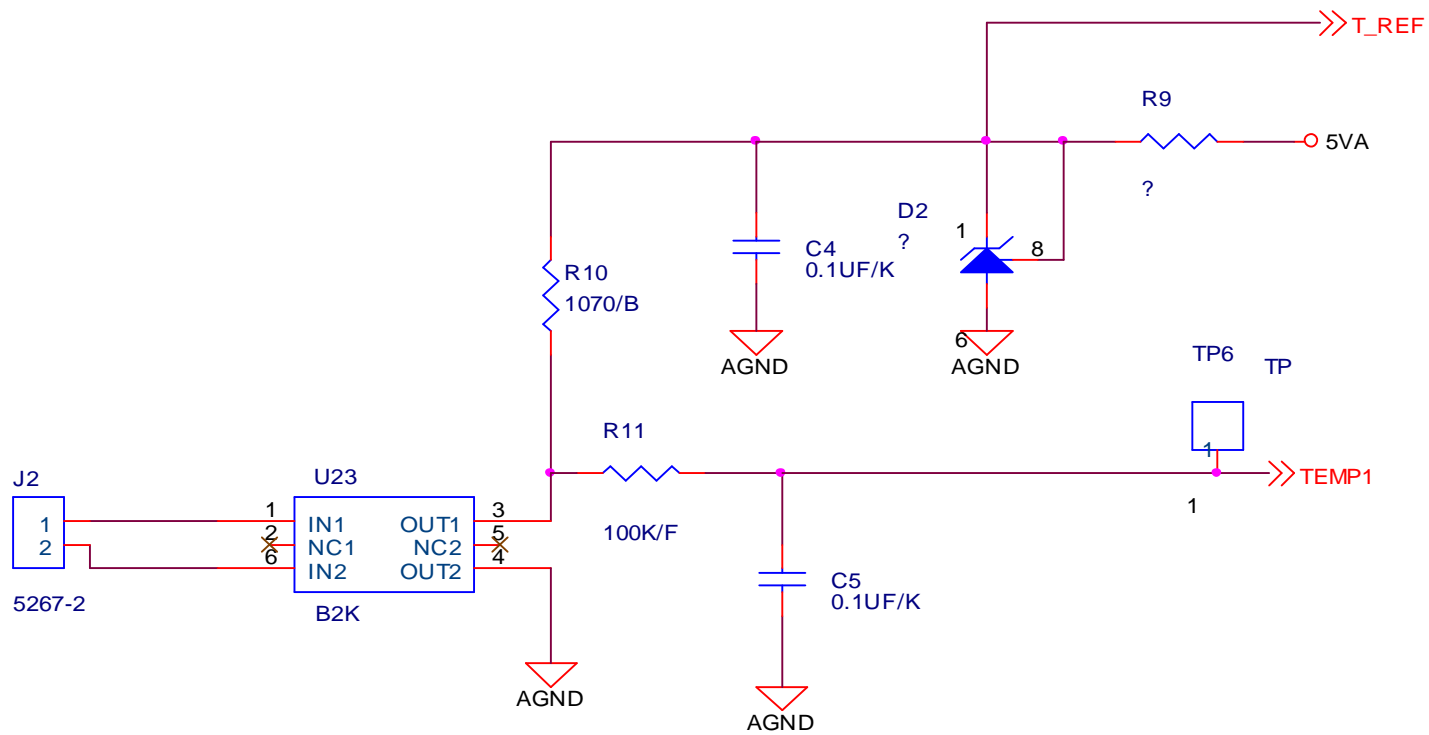




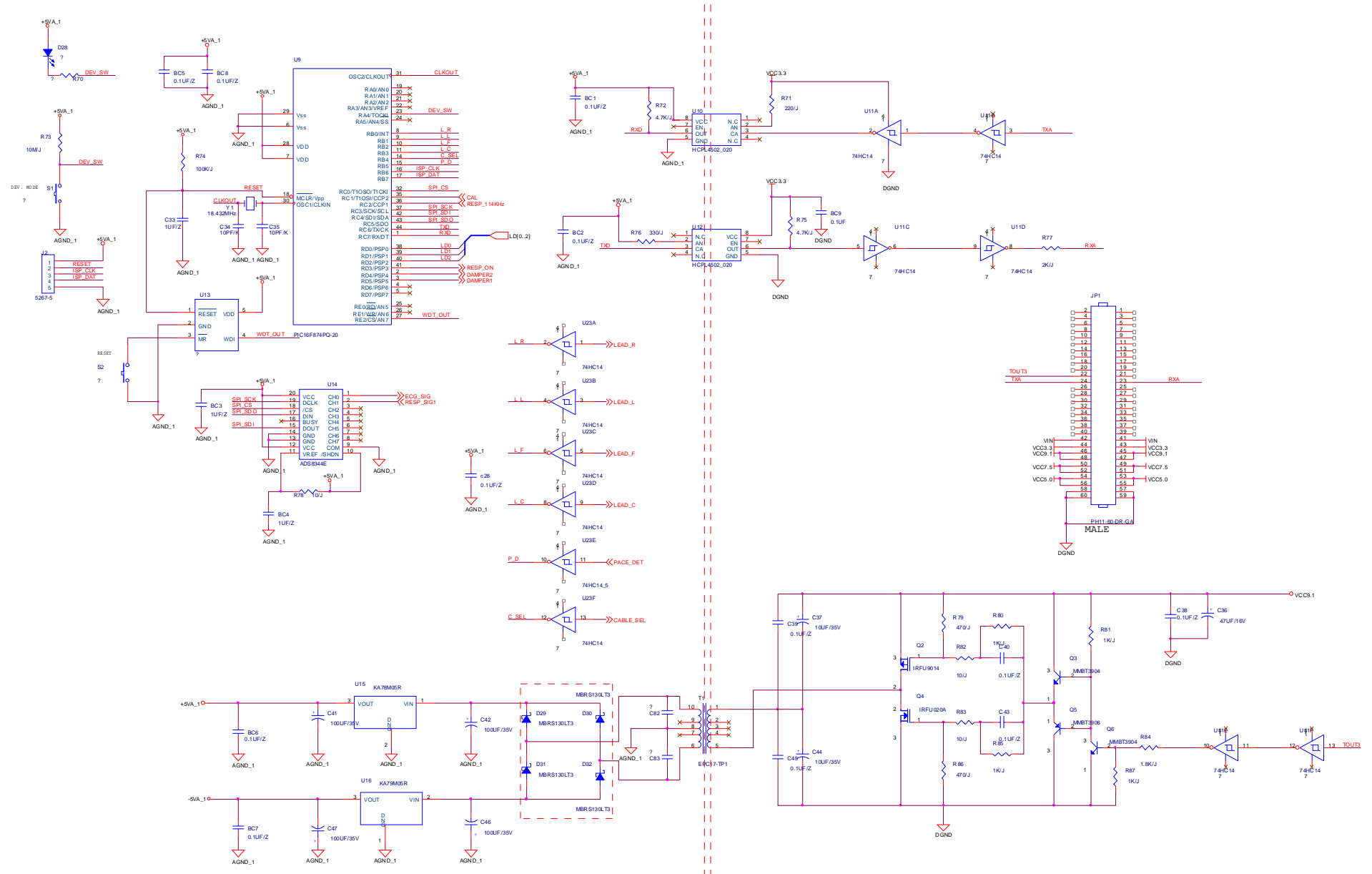
Analog1 b/d, SpO2 part



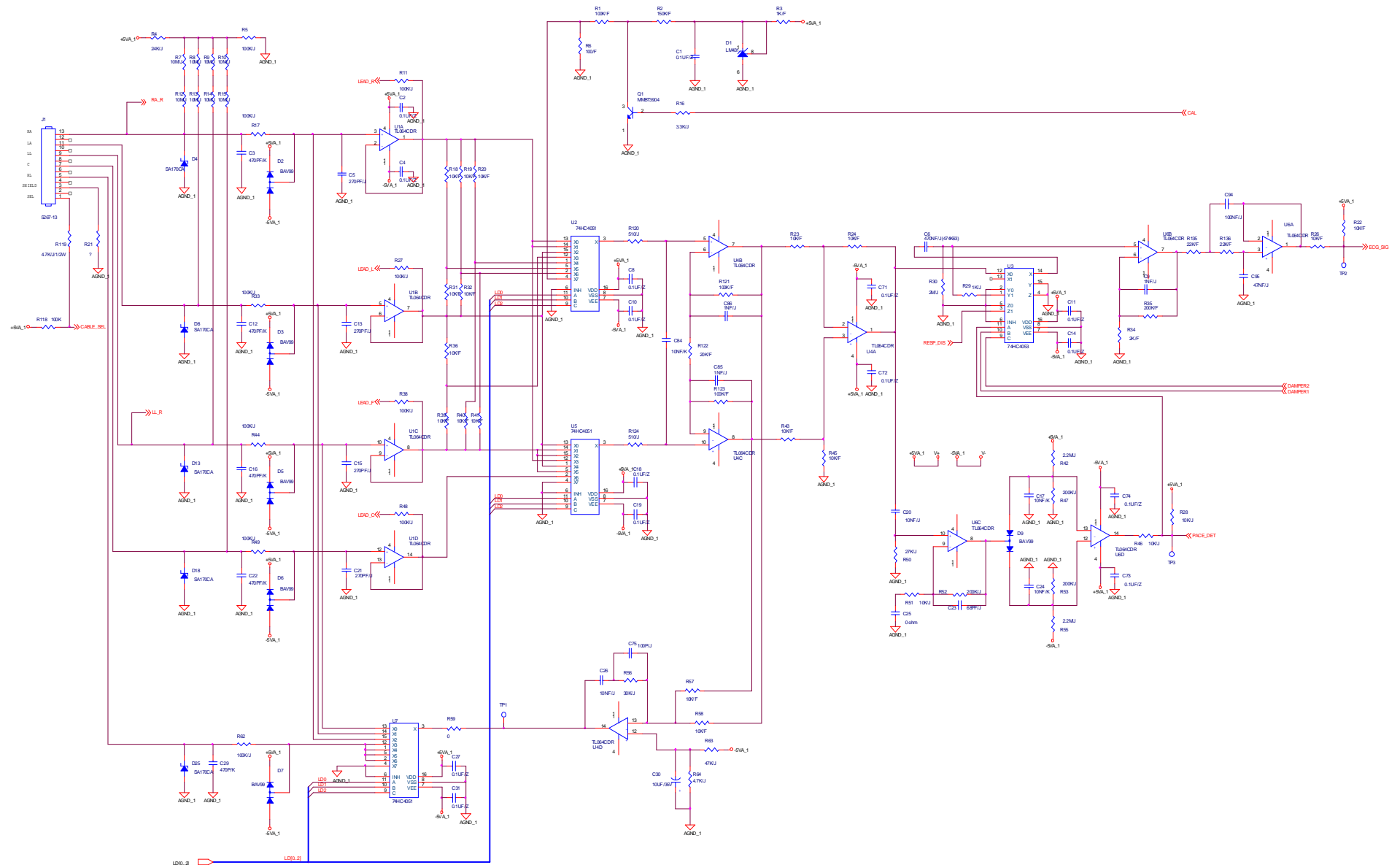
Analog1 b/d, Temp part



### Analog2 b/d, Digital part

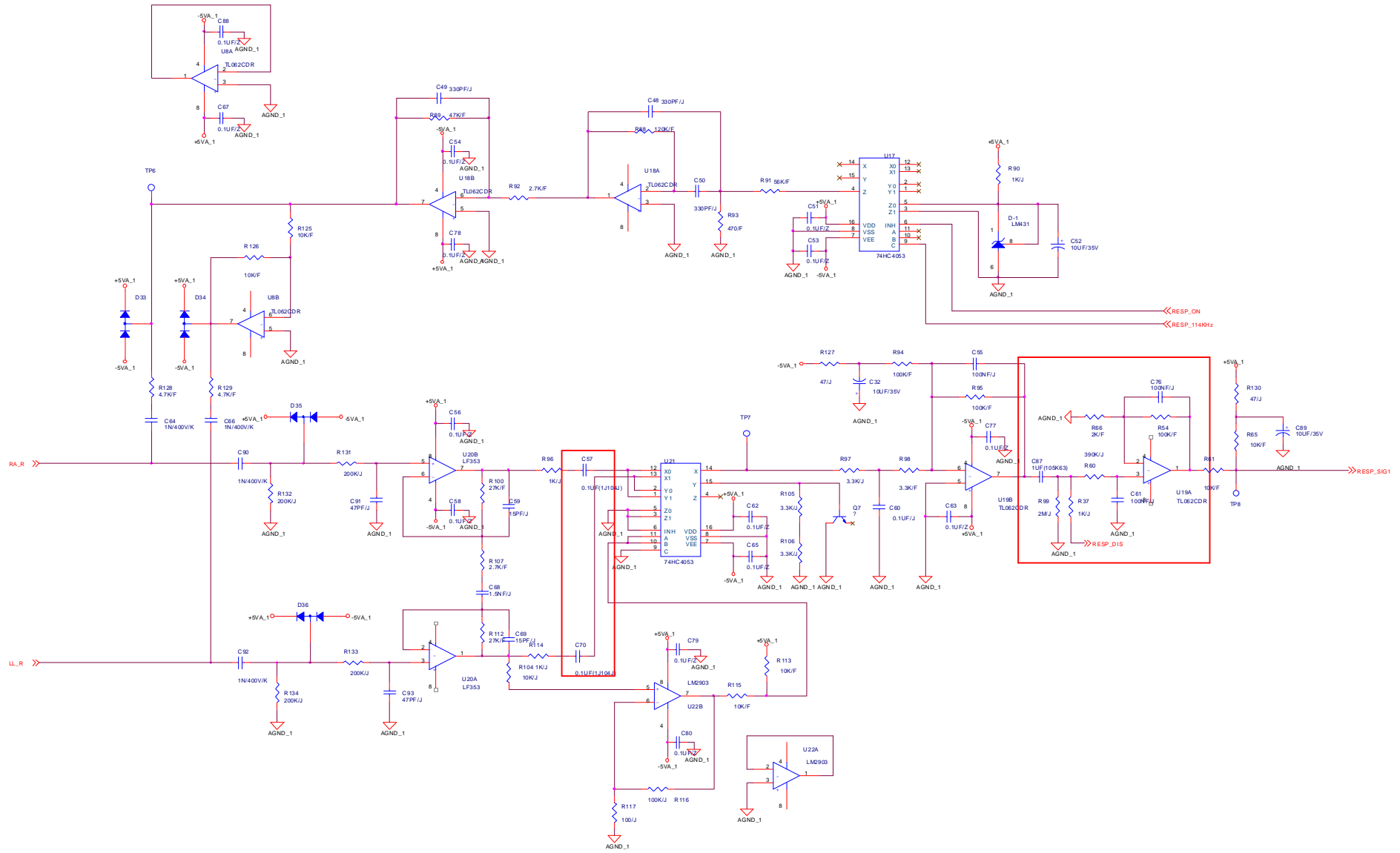


# Analog2 b/d, ECG part

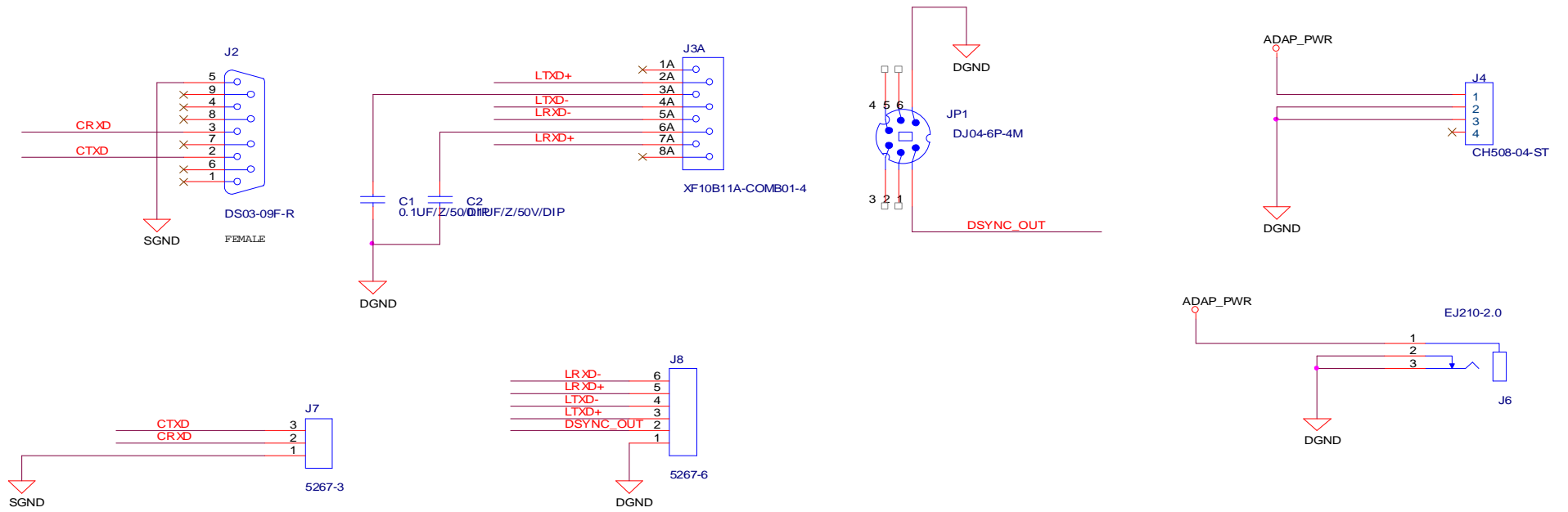


Revision A

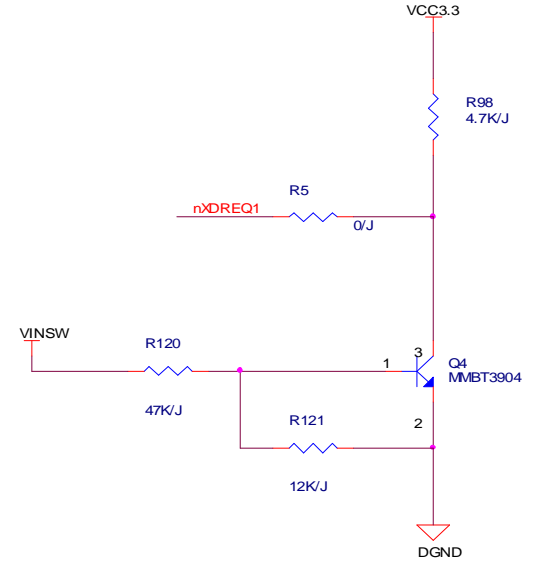
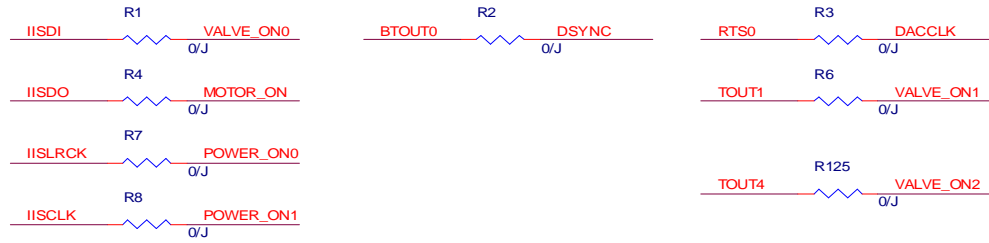
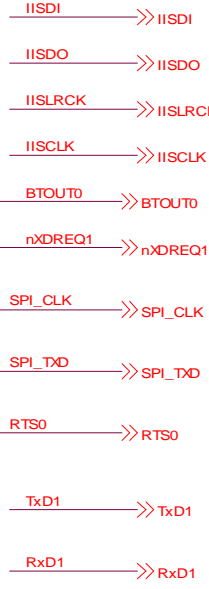
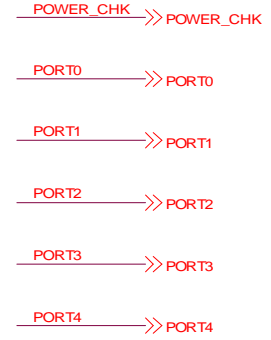
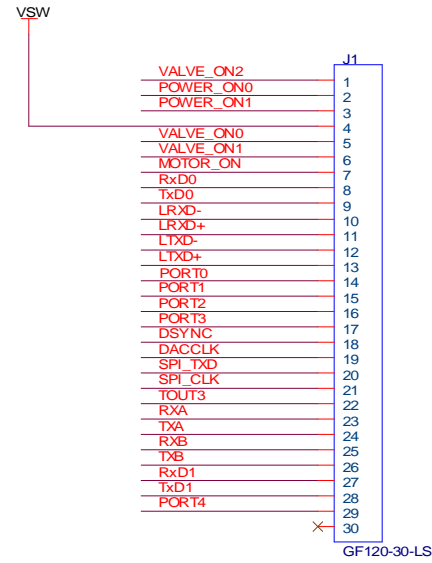
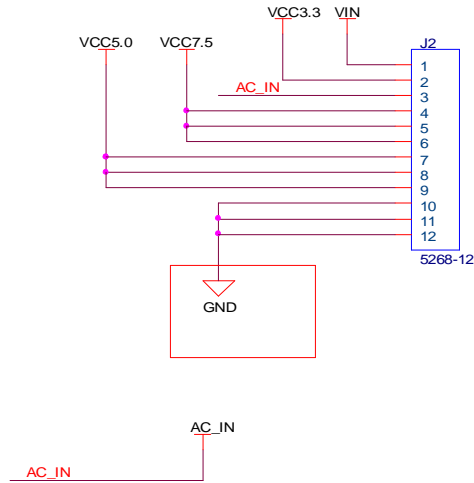
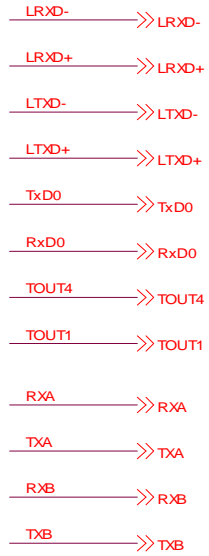
Analog2 b/d, respiraton part



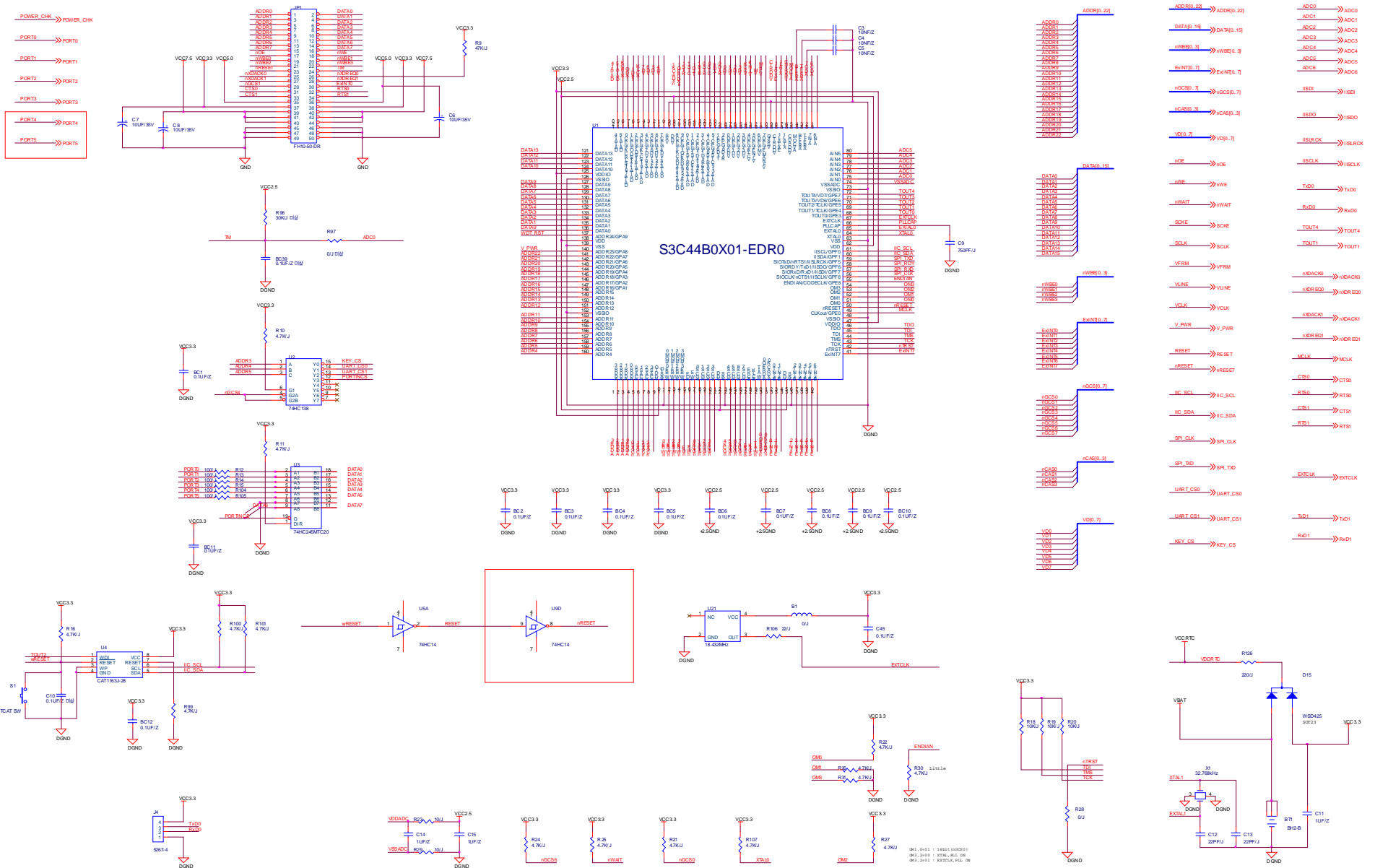
**Connector b/d**



**Digital b/d, I/F connector part**

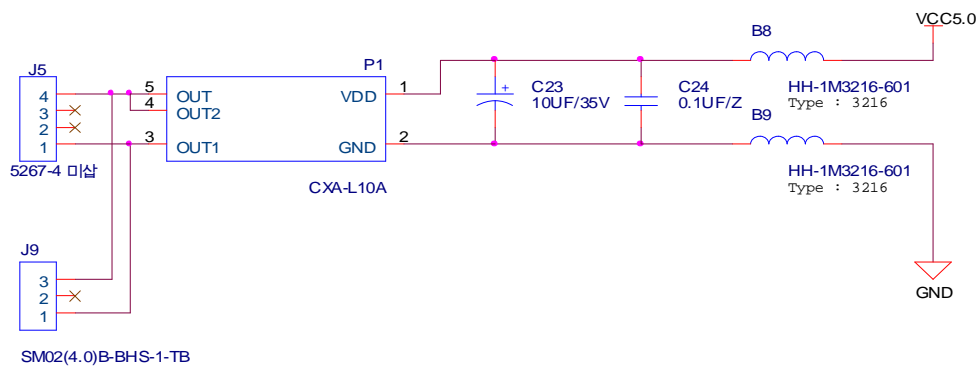
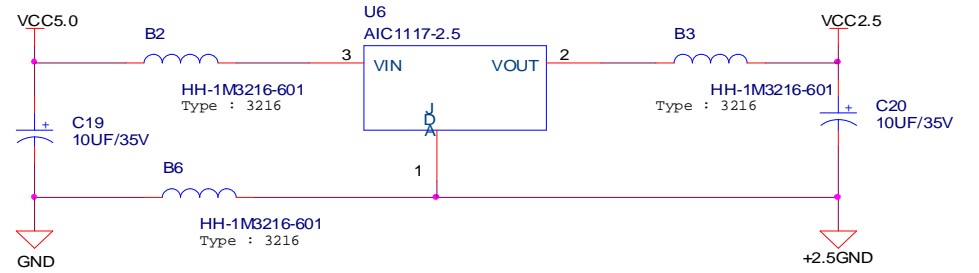
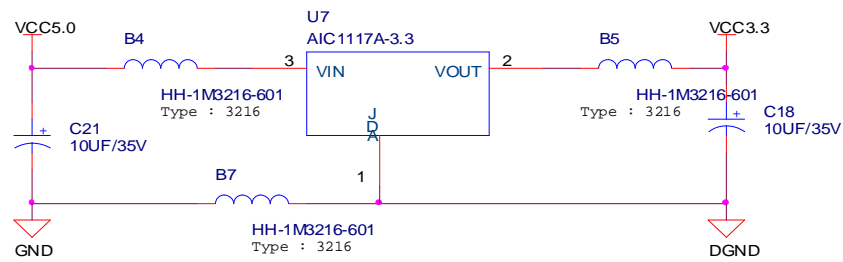


Digital b/d, CPU part

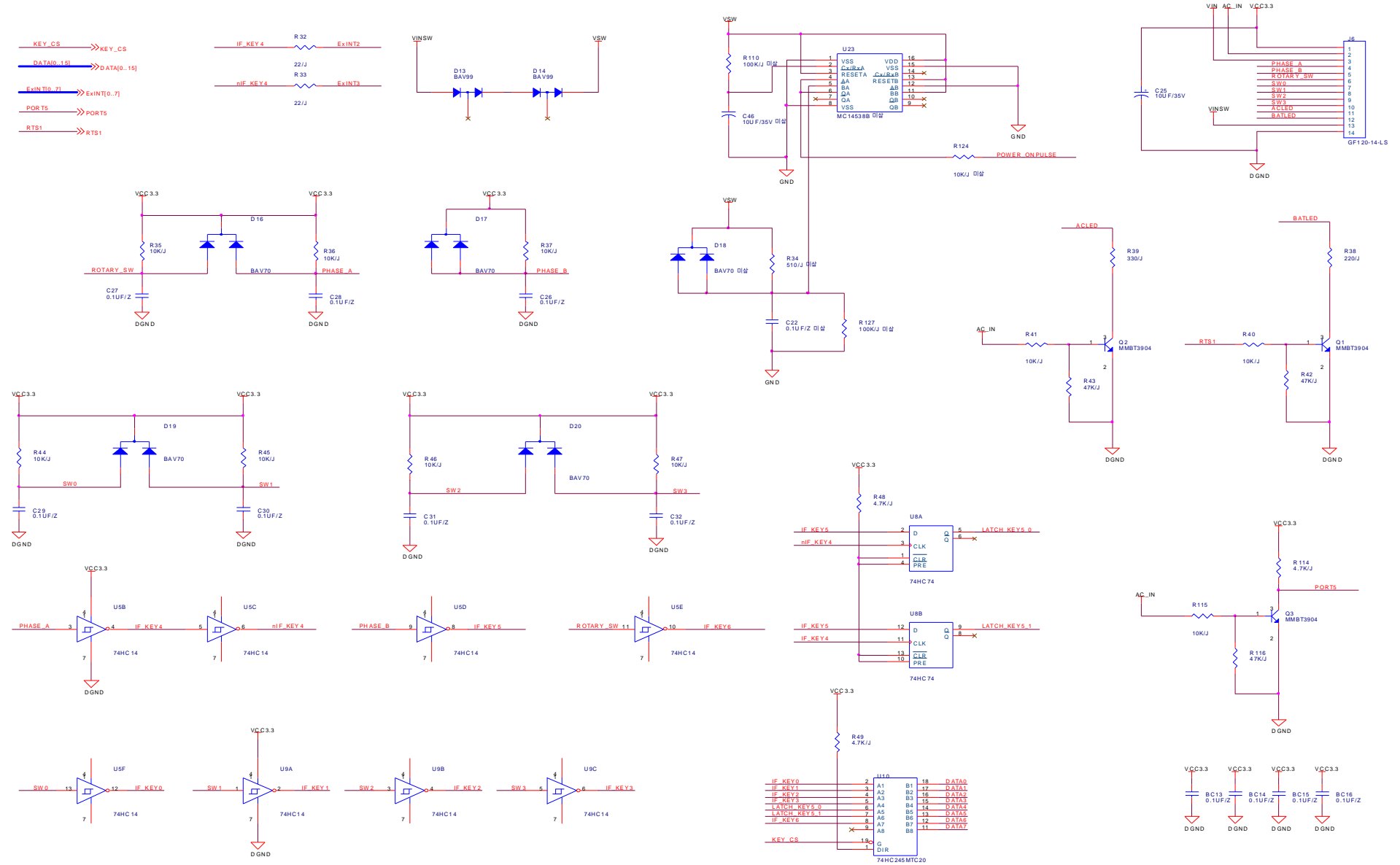




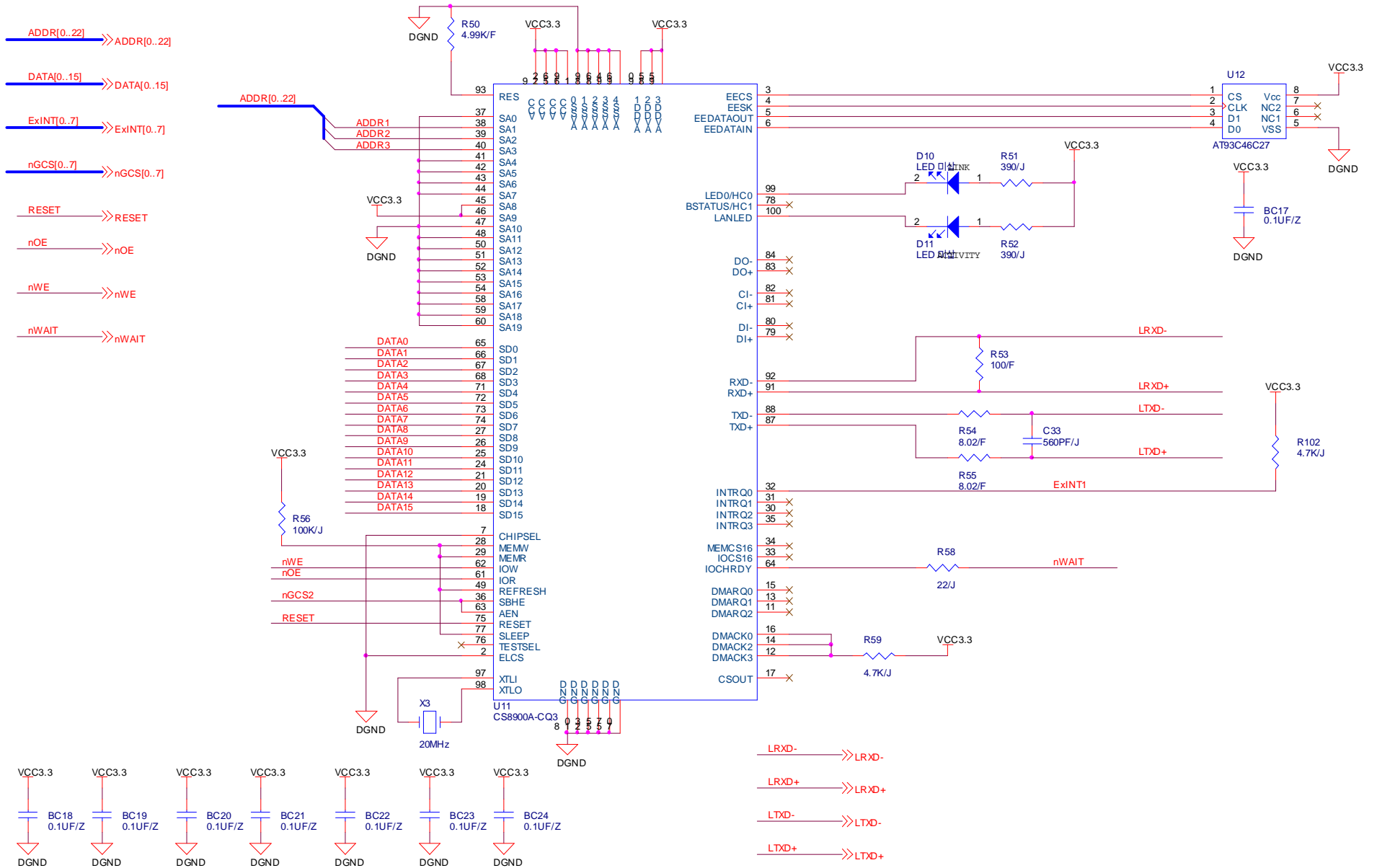
**Digital b/d, DC/DC converter part**



Digital b/d, key b/d part

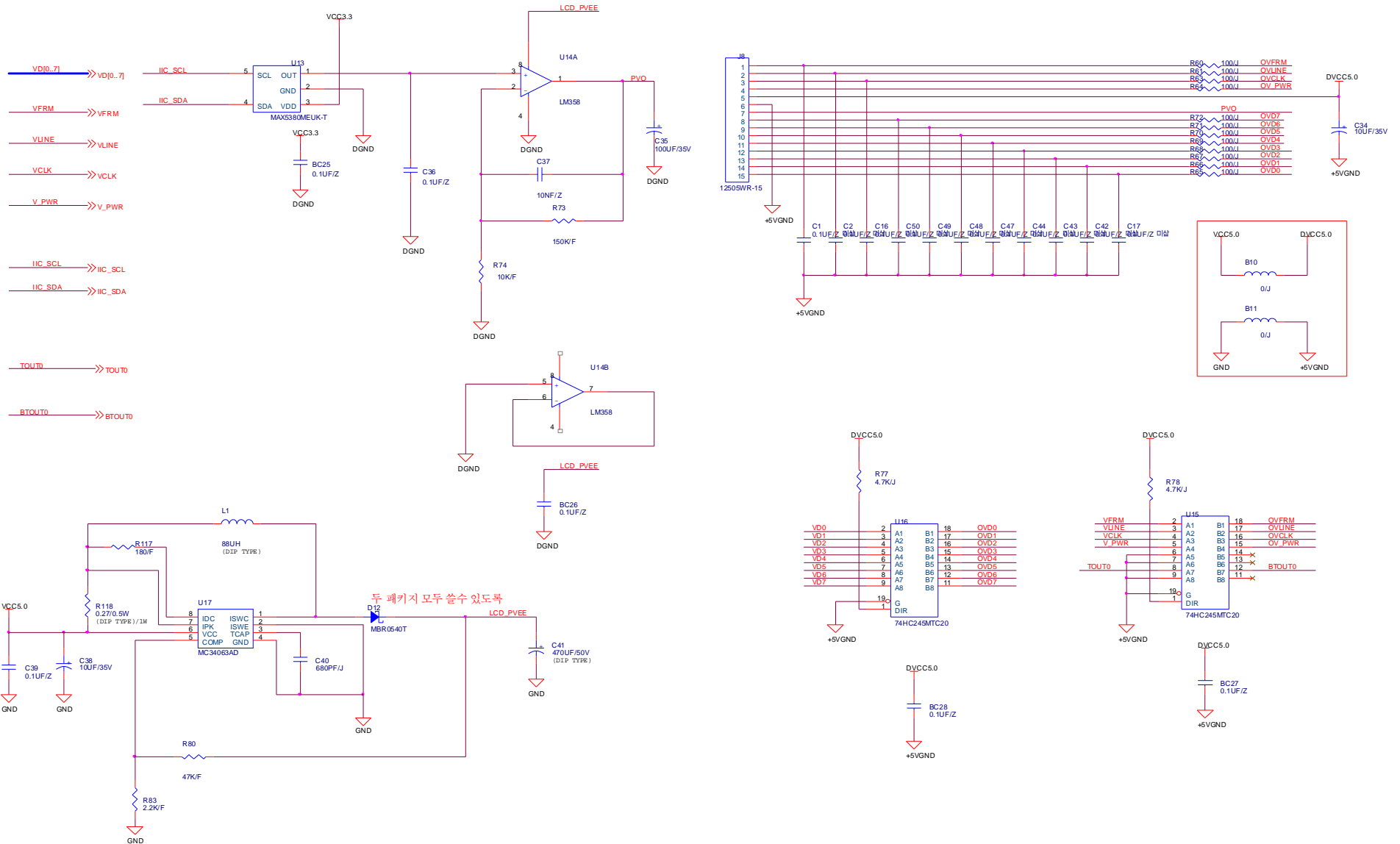


Digital b/d, LAN part

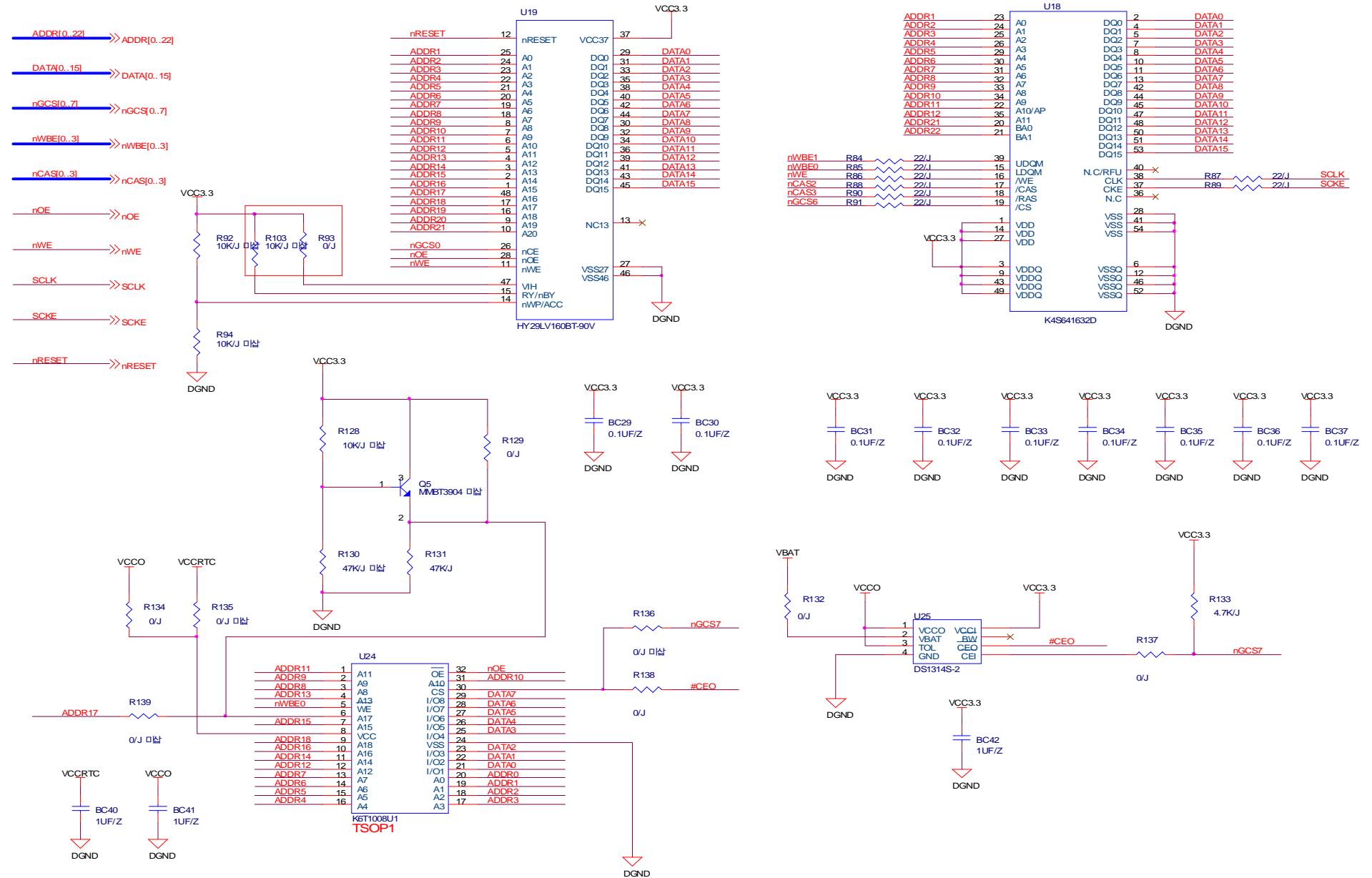


Revision A

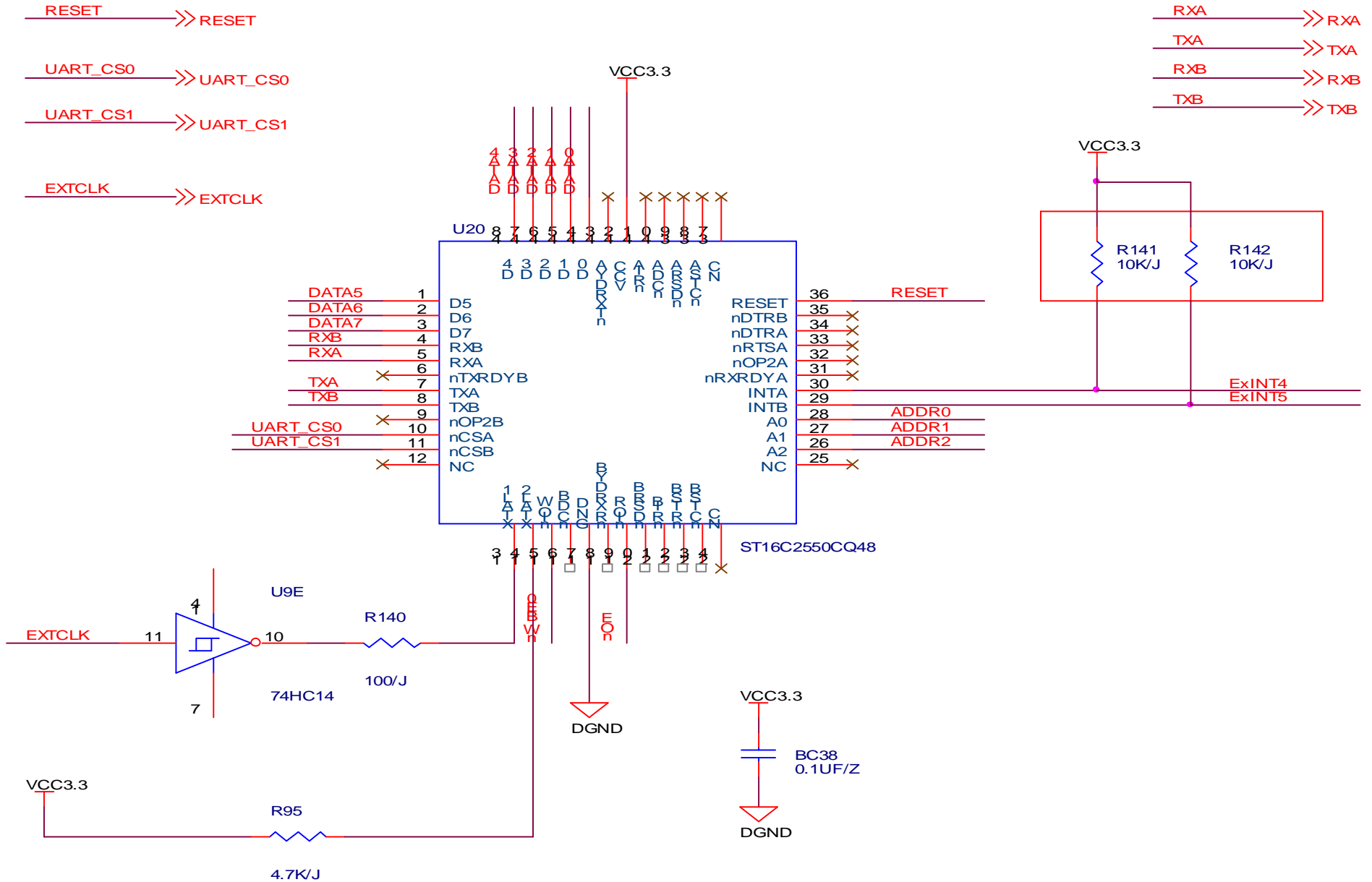
### Digital b/d, LCD connector part



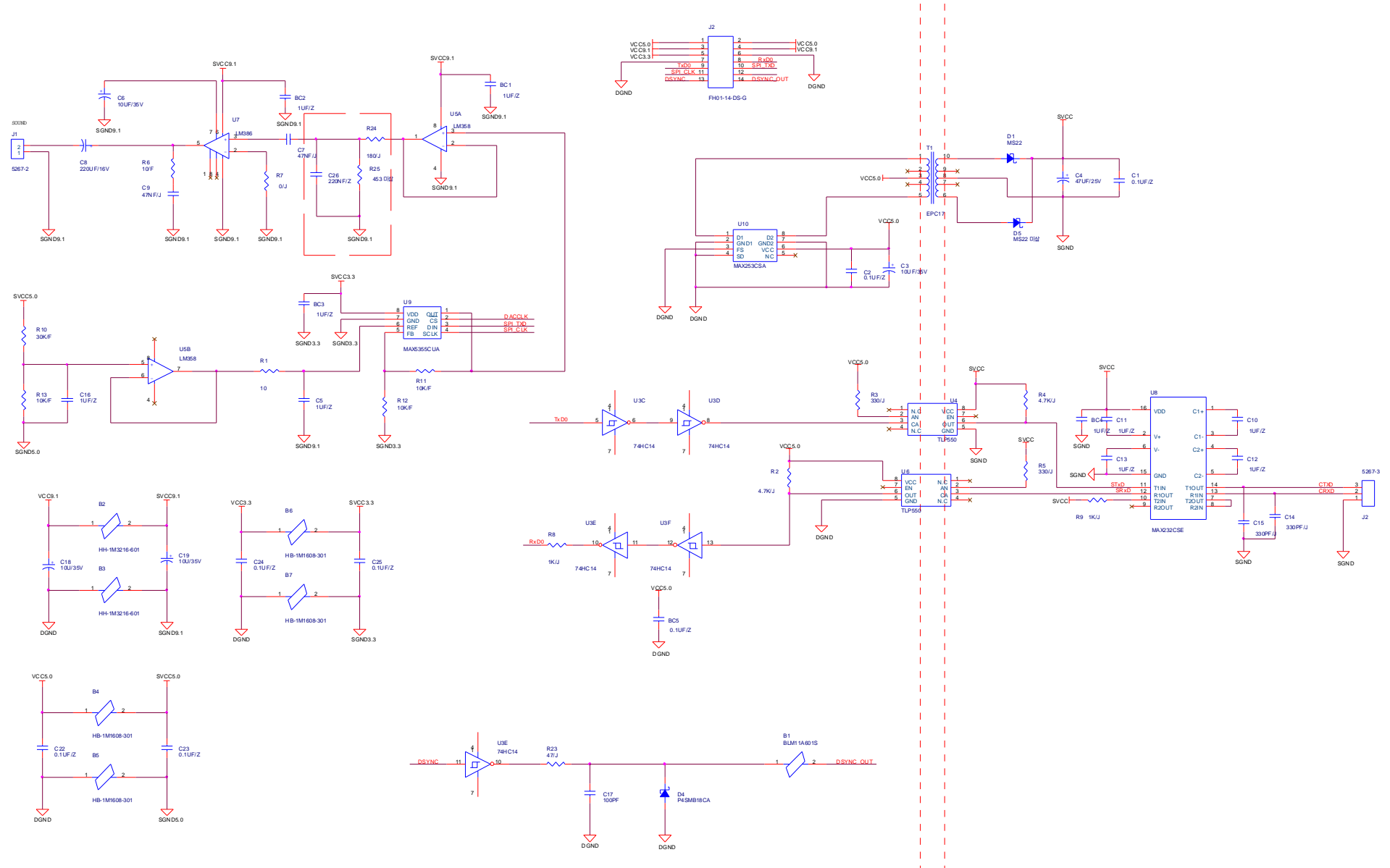
### Digital b/d, memory part



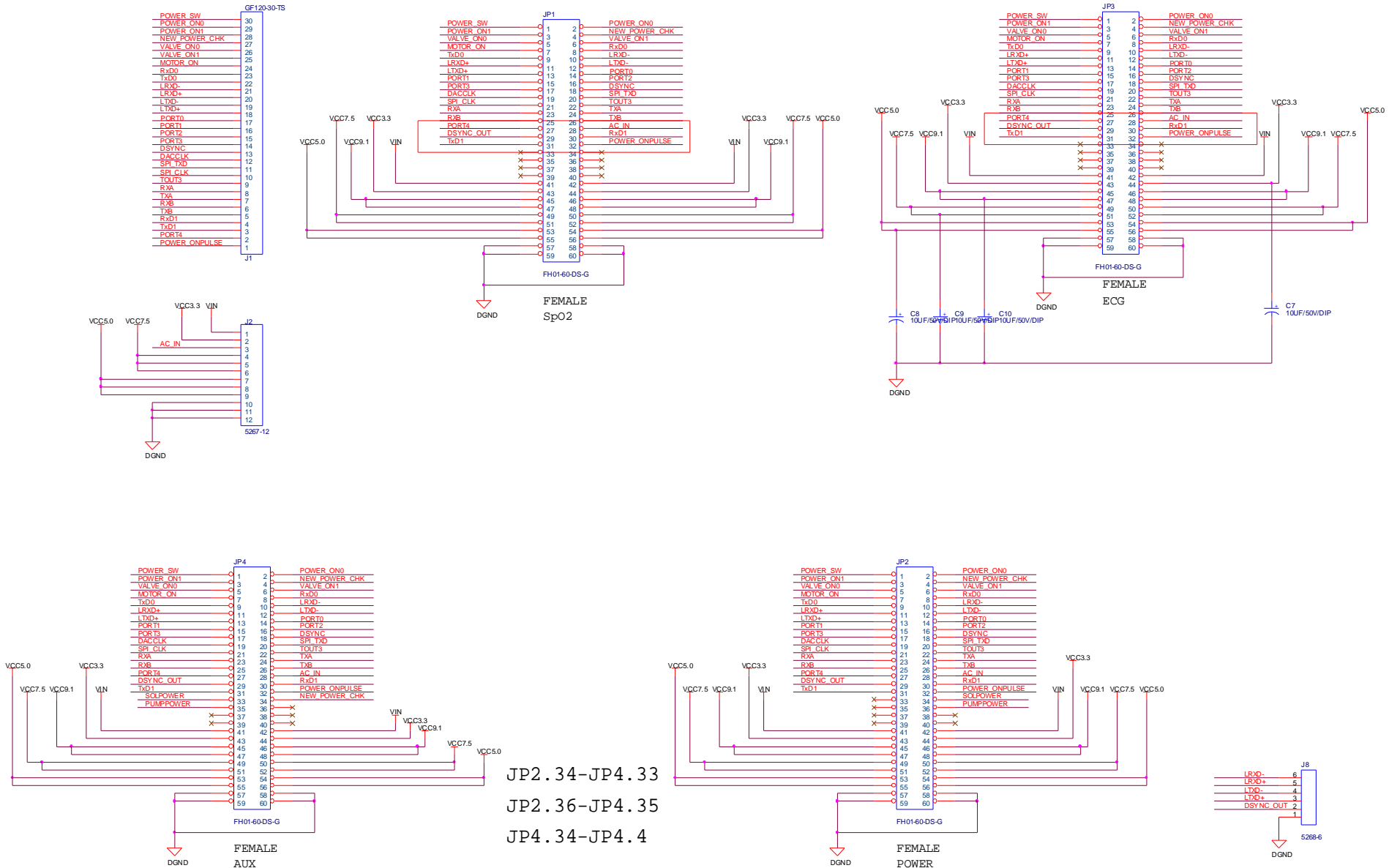
**Digital b/d, serial part**



# External B/d, Sound, serial part



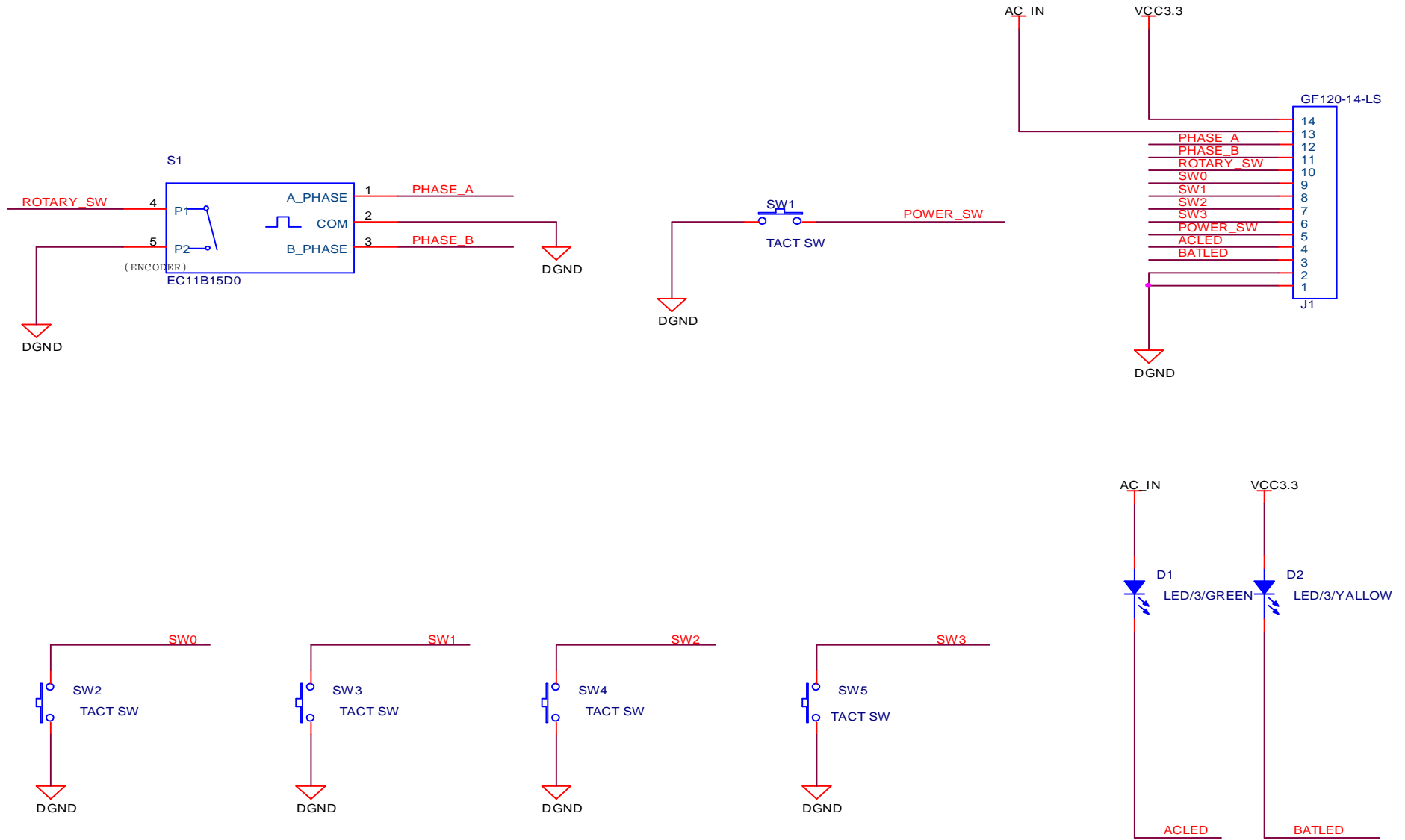
Interface b/d



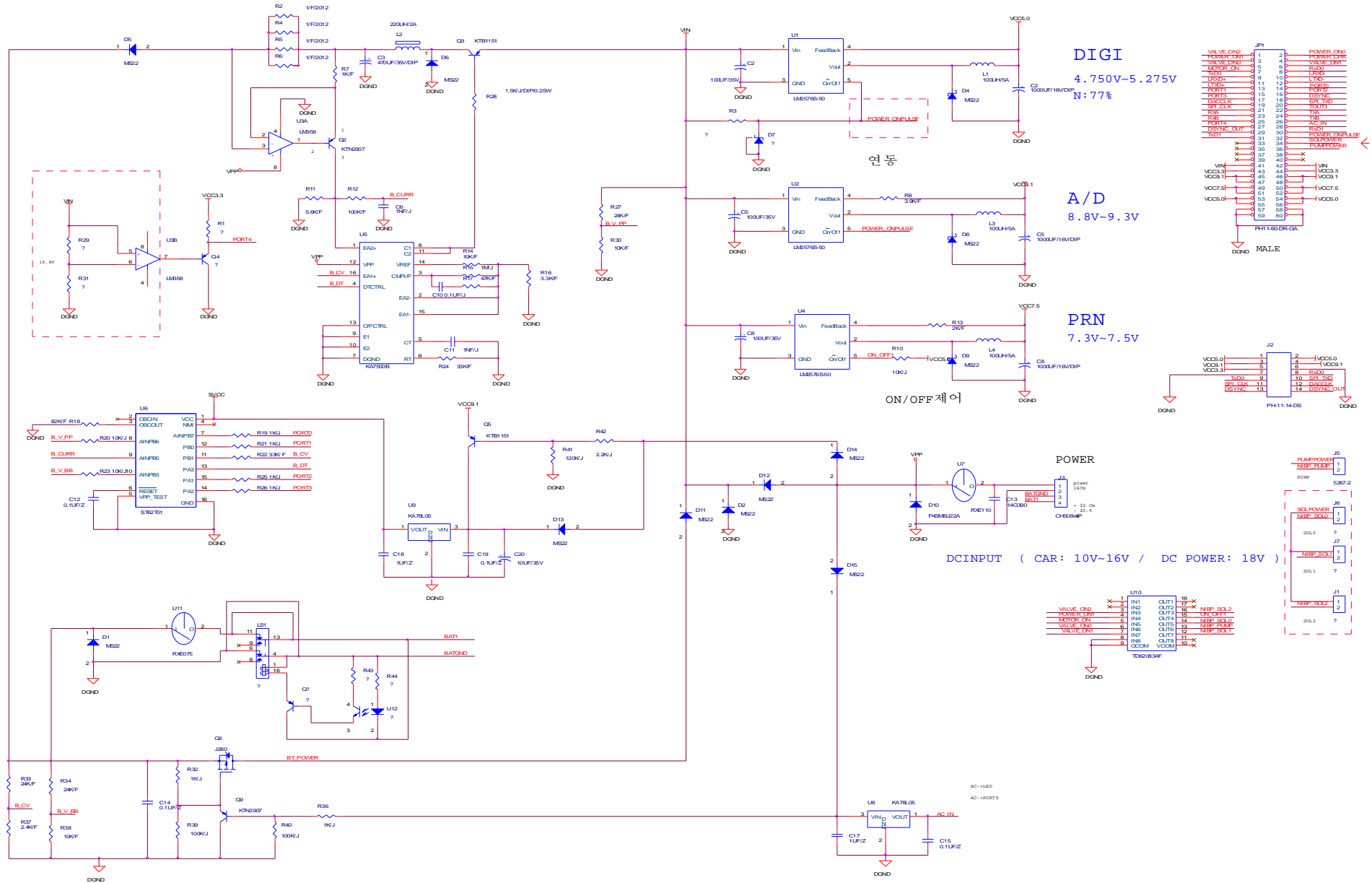
Revision A



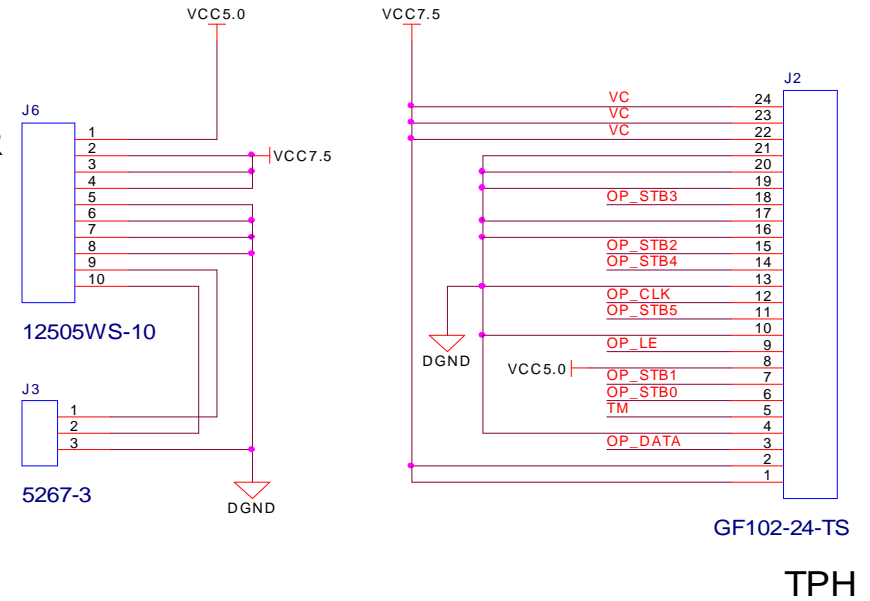
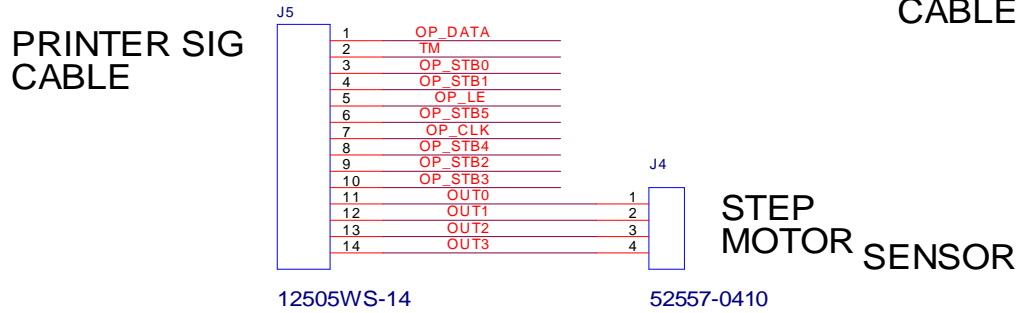
**Key b/d**



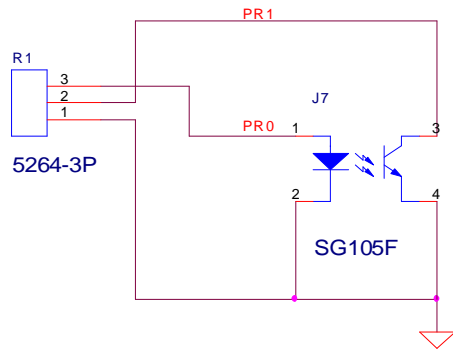
Power b/d



# Printer Connector B/D



# Sensor B/D



REV:  
PCB-400-PCON-1

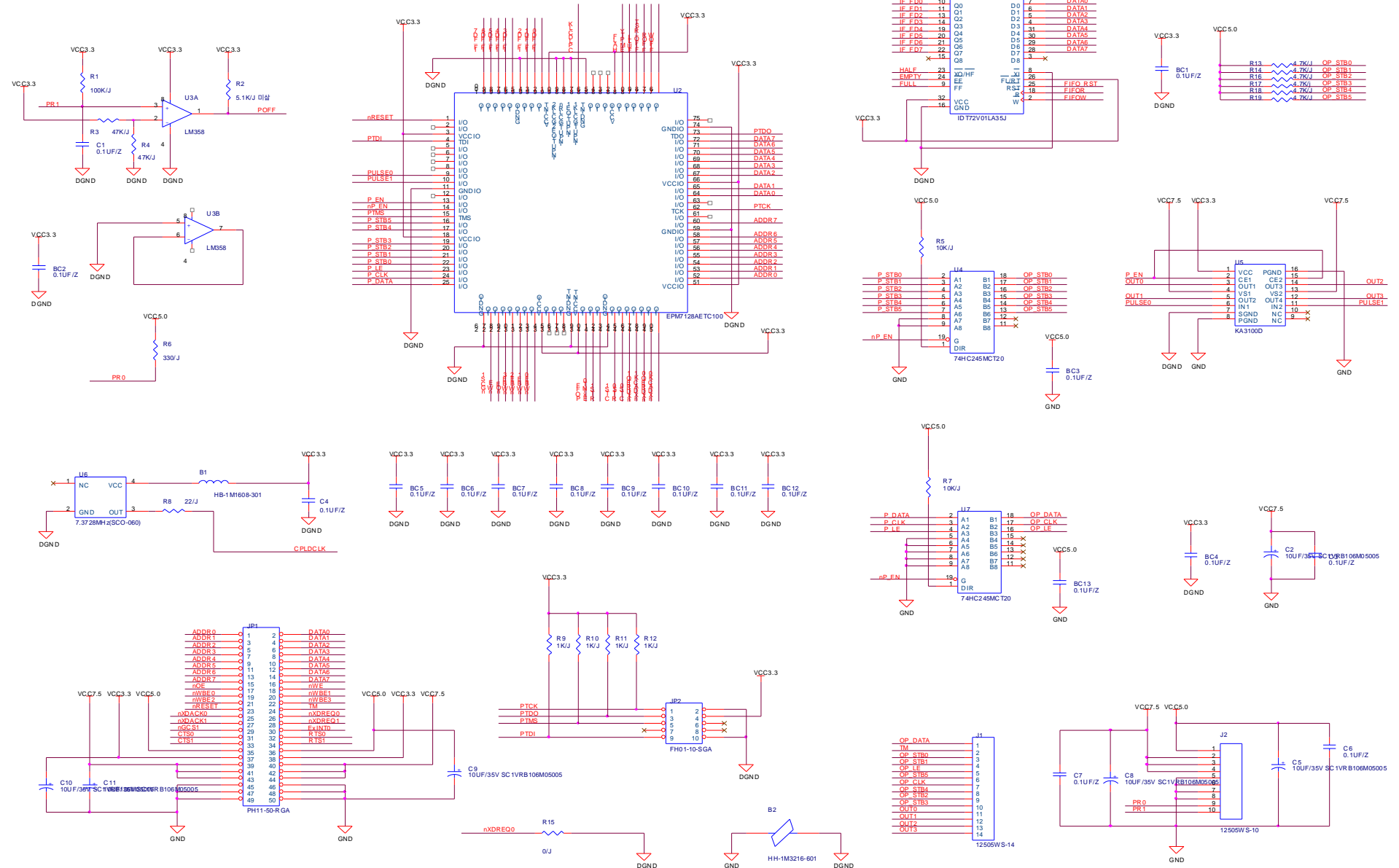
**SENSOR : SG105F**

**STEP MOTOR:MGM- 01A**

**TPH: LJ048- 8R474 (AOI ELECTRONICS)**

**PCB : 두께 1.0 t**

Printer b/d



Safety b/d

