

# T-1<sup>3/4</sup> (5 mm) Right Angle Mount Housing

## Technical Data

**HLMP-5029**  
**Option B2**  
**Option B1**

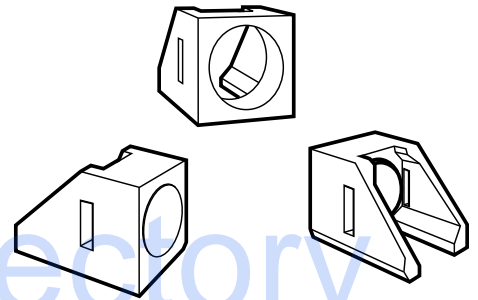
### Features

- Fits Any HP High Dome T-1<sup>3/4</sup> LED Lamp
- Snap-In Fit Makes Mounting Simple
- High Contrast Black Plastic
- May be Ordered with Mounted T-1<sup>3/4</sup> Lamp as an Option

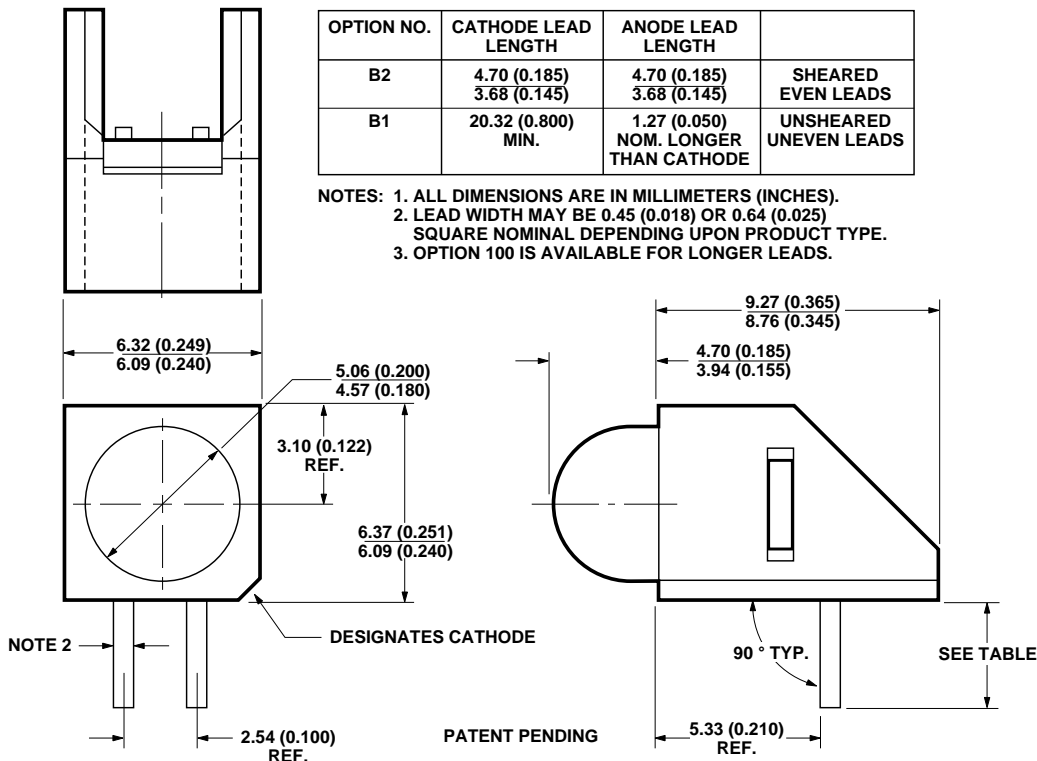
### Description

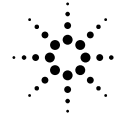
The HLMP-5029 is a black plastic right angle housing which mates with Agilent high dome T-1<sup>3/4</sup> lamps. The leads should be prebent 90° as shown prior to snapping into the right angle housing.

The housing material is high temperature nylon capable of withstanding temperatures up to +150°C.



### Physical Dimensions





**Agilent Technologies**

Innovating the HP Way

As an option, T-1<sup>3</sup>/<sub>4</sub> lamps may be ordered pre-mounted into the HLMP-5029 housing with leads bent down 90° and sheared to length, see table. To order, select the lamp base, part number and affix the desired option code. For example, the HLMP-3300 HER lamp may be ordered pre-mounted into the HLMP-5029 housing with leads sheared to an even length. The part number for this option is: **HLMP-3300 Option B2**.

*[www.semiconductor.agilent.com](http://www.semiconductor.agilent.com)*

Data subject to change.

Copyright © 1999 Agilent Technologies, Inc.

Obsoletes 5968-3275E

5968-4122E (11/99)