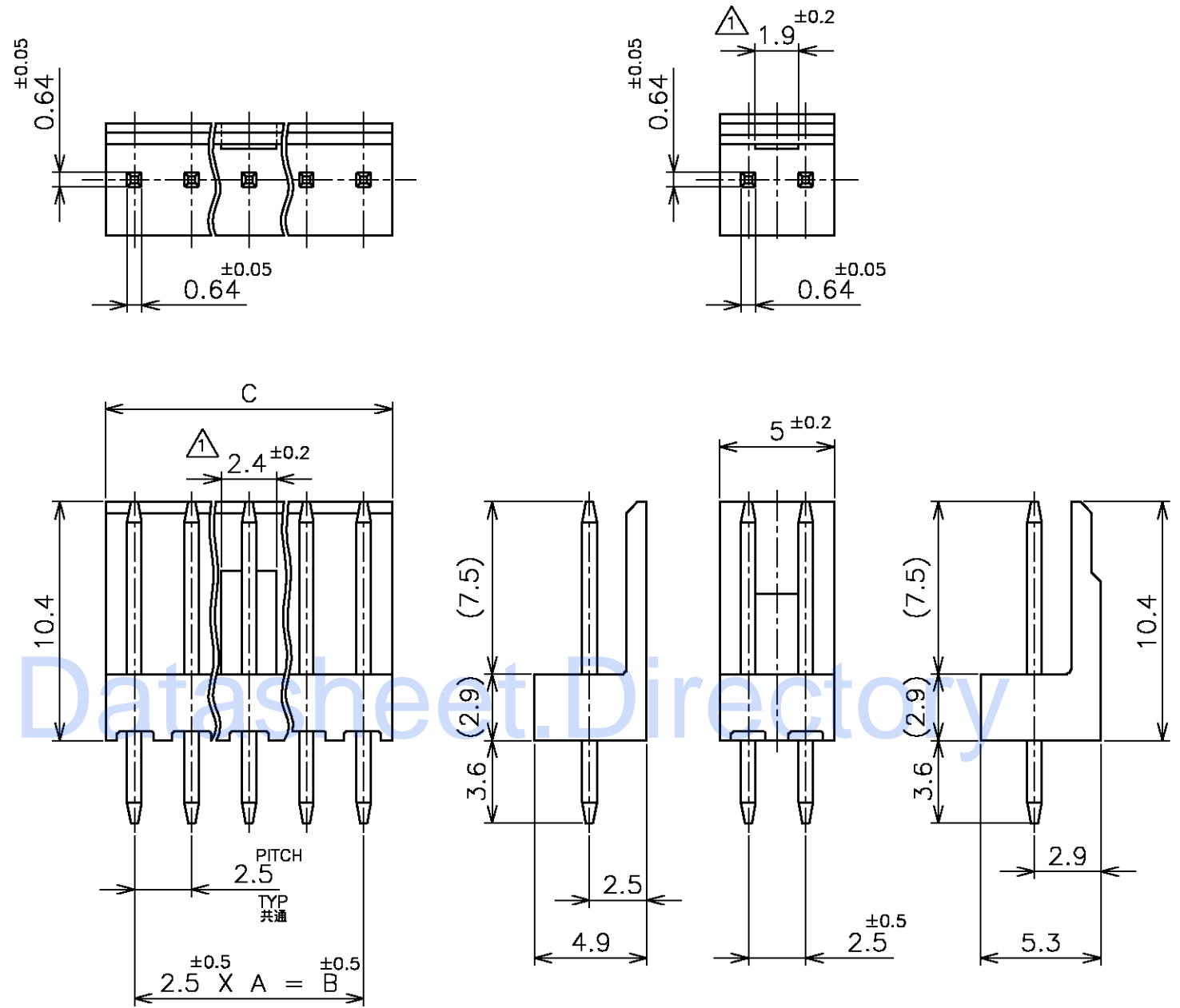
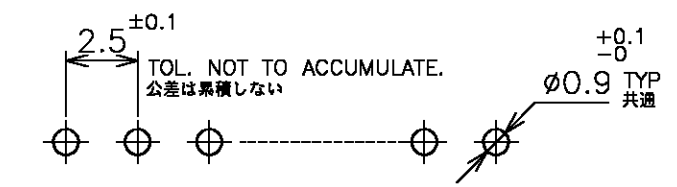


LOC	DIST	REVISIONS					
J	-	P	LTR	DESCRIPTION	DATE	DWN	APVD
			Y	REVISED FJB0-0245-03	31MAR03	H.T	I.E



△ LOCKING HOLE IS PLACED ON THE CENTER OF POST HEADER.
 △ MANUFACTURED BY AMP-BRASIL ONLY

△ ロッキング凹部位置は長手方向の中央。
 △ AMP-ブラジル製造品 (AMP-J非製造品)



RECOMMENDED BOARD LAYOUT (1.6 THK)
 取付基板寸法 (基板厚 1.6t)

37.5	35.0	14	15	9-171825-5	7-171825-5	5-171825-5	3-171825-5	1-171825-5
32.5	30.0	12	13	9- ↑ -3	7- ↑ -3	5- ↑ -3	3- ↑ -3	1- ↑ -3
27.5	25.0	10	11	9- -1	7- -1	5- -1	3- -1	1- -1
30.0	27.5	11	12	9- -2	7- -2	5- -2	3- -2	1- -2
25.0	22.5	9	10	9- -0	7- -0	5- -0	3- -0	1- -0
22.5	20.0	8	9	8- -9	6- -9	4- -9	2- -9	-9
20.0	17.5	7	8	8- -8	6- -8	4- -8	2- -8	-8
17.5	15.0	6	7	8- -7	6- -7	4- -7	2- -7	-7
15.0	12.5	5	6	8- -6	6- -6	4- -6	2- -6	-6
12.5	10.0	4	5	8- -5	6- -5	4- -5	2- -5	-5
10.0	7.5	3	4	8- -4	6- -4	4- -4	2- -4	-4
7.5	5.0	2	3	8- -3	6- -3	4- -3	2- -3	-3
図示	— / —	2		8-171825-2	6-171825-2	4-171825-2	2-171825-2	171825-2
±0.2 C	±0.5 B	A	NO OF POS 極数	RED 赤色	GREEN 緑色	BLUE 青色	BLACK 黒色	NATURAL 自然色
PART NUMBER 型番								

3~12 POS 極

2 POS 極

THIS DRAWING IS A CONTROLLED DOCUMENT.

DIMENSIONS: 単位: 純 MM	TOLERANCES UNLESS OTHERWISE SPECIFIED: 一般公差	DWN T.DOI 14MAY77	Tyco Electronics AMP K.K. Kawasaki, Japan
	0 PLC ± 0.3 1 PLC ± 0.3 2 PLC ± 0.3 3 PLC ± 0.3 4 PLC ± 0.3 ANGLES ±	CHK H.TAGUCHI 14MAY77	
	MATERIAL 材料 HSG: 66NYLON UL94V-0 POST: BRASS	FINISH 仕上 POST: TIN-PLATE	APVD H.TAGUCHI 14MAY77
CUSTOMER DRAWING		WEIGHT	SCALE 4:1 SHEET 1 OF 1 REV Y