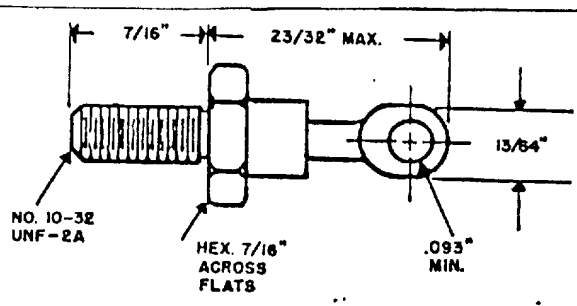


7-01-17



$B_V$  \_\_\_\_\_  
 PIV See Chart  
 $I_O$  6 Amps @ 100 °C Case  
 $I_S$  - 200 AMPS  
 $V_f$  1.4 V @ 6 Amps @ 25 °C  
 $I_r$  15  $\mu$  Amps @ PIV @ 25 °C  
 3 M amps @ PIV @ 100 °C

STYLE DO 4

STAMP Edal, P/N, Polarity symbol

EQUIV. TO \_\_\_\_\_ EXCEPT \_\_\_\_\_

Reverse recovery time: 300 Nano Sec.  
 Conditions: 1 Amp forward to 4 Amp reverse to 0  
 For reverse polarity add suffix R: Ex. 1N3879R

P/N	PIV (volts)	P/N	PIV(volts)
1N3879	50	1N3882	300
1N3880	100	1N3883	400
1N3881	200		

REV.	DESCRIPTION	BY	DATE
	DRAWN DV	APP	DATE 4/23/77
TOLERANCES UNLESS OTHERWISE NOTED			
FRACTIONS ±		DECIMALS ±	
TITLE Silicon Rectifiers		DWG. NO. 1N3879 - 1N3883	

**EDAL INDUSTRIES INC.**  
 EAST HAVEN, CONN. 06512

9000-4164