

SERVICE MANUAL



Datasheet.Directory

T 751
SURROUND
SOUND RECEIVER

T 751
SURROUND
SOUND RECEIVER

SERVICE SAFETY PRECAUTIONS

1. Replacing the fuses

CAUTION: FOR CONTINUED PROTECTION AGAINST THE RISK OF FIRE REPLACE ONLY WITH SAME TYPE OF FUSE.

| Reference No | Part Number | Description |
|--------------|-------------|--|
| M751*AH | 5120-0200-0 | Fuse 5A 125V Time Lag 5x20 MM MITI/UL/CSA |
| M754*AH | 5120-0052-0 | Fuse 1.6A 250V Time Lag 5x20 MM UL/CSA |
| M752*C | 5120-0024-0 | Fuse 3.15A 250V Time Lag 5x20 MM SEMKO/VDE |

NOTE:

<*AH > : USA, CANADIAN MODEL ONLY.

<*C > : EUROPEAN MODEL ONLY.

2. Safety check out

(Only U.S.A. model)

Before returning the product to the customer, make leakage current or resistance measurements to determine that exposed parts are acceptably insulated from the supply circuit.

Parts marked with the symbol \triangle are critical with regard to the risk of fire and electric shock. Replace only with parts recommended by the manufacturer.

CONTENTS

| DESCRIPTION | PAGE |
|---------------------------------|--------|
| SPECIFICATIONS | .3-4 |
| REAR PANEL / FRONT PANEL | .5 |
| DISASSEMBLY INSTRUCTIONS | .6 |
| WIRING DIAGRAM | .7-8 |
| BLOCK DIAGRAM | .9 |
| ADJUSTMENT POINTS DIAGRAM | .10 |
| INSTRUMENT SETUP | .11 |
| ALIGNMENT PROCEDURES | .11-12 |
| IMPORTANT NOTES | .12 |
| PCB LAYOUT | .13-19 |
| SCHEMATIC DIAGRAM | .20-38 |
| IC BLOCK DIAGRAM | .39-46 |
| ELECTRICAL PARTS LIST | .47-69 |
| EXPLODED VIEW | .70 |
| EXPLODED VIEW PARTS LIST | .71-72 |
| PACKING DIAGRAM | .73 |

SPECIFICATIONS

POWER AMPLIFIER AND PREAMPLIFIER SECTIONS

| | | |
|---|---|----------------------|
| Rated distortion | (THD 20Hz-20 kHz FC/C/FR) (THD 20Hz-20 kHz SL/SR) | ≤ 0.08% ≤ 0.3% |
| Input Sensitivity | (ref. 8 ohms, 1 kHz) | 180+/-30 mV |
| S/N Ratio | (A-wtd, 1KHz, 1W, 8 ohm) (A-wtd, 1KHz, 70W, 8 ohm) | ≥ -76 dB ≥ -90 dB |
| Frequency Response | (20 Hz - 20 kHz) | 0 ± 0.8 dB |
| Channel Balance | (1 dB to -40 dB, 1 kHz) (-41 dB to -50 dB, 1 kHz) | ≤ 2 dB ≤ 3 dB |
| Audio muting at 1kHz | | ≥ 53 dB |
| Headphone O/P in 0.1%, 600 ohm load, CD in 500mV, 1 kHz | | ≥ 10V |
| Subwoofer out, 500mV in | (THD at 2V O/P, 100 Hz) (S/N at 2V O/P, 100 Hz) | ≥ 0.5% ≥ 80 dB |
| Crosstalk | (2V input, 10W, 1 kHz) | > -68 dB |
| Continuous average power output | | 70 W |

Controls

| | | |
|--------|-------------------------------|--------|
| Bass | (at 500mV in, 1W out, 100 Hz) | ± 9 dB |
| Treble | (at 500mV in, 1W out, 10 kHz) | ± 9 dB |

SURROUND SECTION

Channel separation

| | | |
|------------------|---------------------------------------|---------|
| I/p mode : L, R | : 1V in, 1 kHz, Ch R, L | ≥ 45 dB |
| | : o/p at unexpected, 1 kHz, Ch C | ≥ 35 dB |
| I/p mode : L= -R | : 1V in, 1 kHz, Ch R, L | ≥ 28 dB |
| | : o/p at unexpected, 1 kHz, Ch C | ≥ 30 dB |
| I/p mode : L= R | : 1V in, 1 kHz, Ch R, L | ≥ 45 dB |
| | : o/p at unexpected, 1 kHz, Ch SL, SR | ≥ 30 dB |

Frequency Response

| | | | |
|------------------|------------------------|--------|-------------|
| I/p mode : L, R | : 1V in, 1W, Ch R, L | 40Hz | 0 ± 1.5 dB |
| | | 20kHz | 0 ± 0.8 dB |
| I/p mode : L= R | : 1V in, 1W, Ch C | 300Hz | 0 ± 0.8 dB |
| | | 20kHz | 0 ± 0.8 dB |
| I/p mode : L= -R | : 1V in, 1W, Ch SL, SR | 30Hz | 0 ± 1.0 dB |
| | | 6.5kHz | -3 ± 1.0 dB |

S/N Ratio (200mV in, 1, A-WTD w/ 1k termination)

| | | |
|---|--------------------|---------|
| I/p mode : L, R | : 1 kHz, Ch L, R | ≥ 65 dB |
| I/p mode : L=R | : 1 kHz, Ch C | ≥ 65 dB |
| I/p mode : L=-R | : 1 kHz, Ch SL, SR | ≥ 65 dB |
| THD (2.2V in, 1W, w/ 80 kHz LPF, 1 kHz) | | ≤ 0.2% |

AC-3/DTS SECTION

Frequency Response

| | | |
|--|-------|------------|
| FL, FR, C, SL, SR: | 200Hz | 0 ± 0.8 dB |
| | 20kHz | 0 ± 0.8 dB |
| Distortion 1W all channels | | 0.08% |
| S/N 1 W (CCIR/ARM, 200 Hz NOTCH & 400 Hz HPF) | | ≥ 85 dB |

AM TUNER SECTION

Input level is expressed as the reading in open-circuit
of 75-ohm source impedance signal generator

| | | |
|---|---------------|-------------|
| Usable sensitivity (999/1000kHz) | | ≤ 30 dBμ |
| S/N Ratio (5mV in) | | ≥ 38 dB |
| THD (5mV in) | | ≤ 3% |
| IF Rejection (450 kHz) | | ≥ 36 dB |
| Image Rejection (F+2xIF) | | ≥ 28 dB |
| Selectivity | | ≥ 17 dB |
| Output | | 130+/- 20mV |
| Loop sensitivity (20dB S/N) | 999/1000 kHz | ≤ 66 dB |
| | 603/600 kHz | ≤ 66 dB |
| | 1404/1400 kHz | ≤ 66 dB |
| Frequency response (100 - 2.3 kHz, 5mV) | | ± 6 dB |

FM TUNER SECTION

Input level is expressed as the reading in open-circuit
of 75-ohm source impedance signal generator

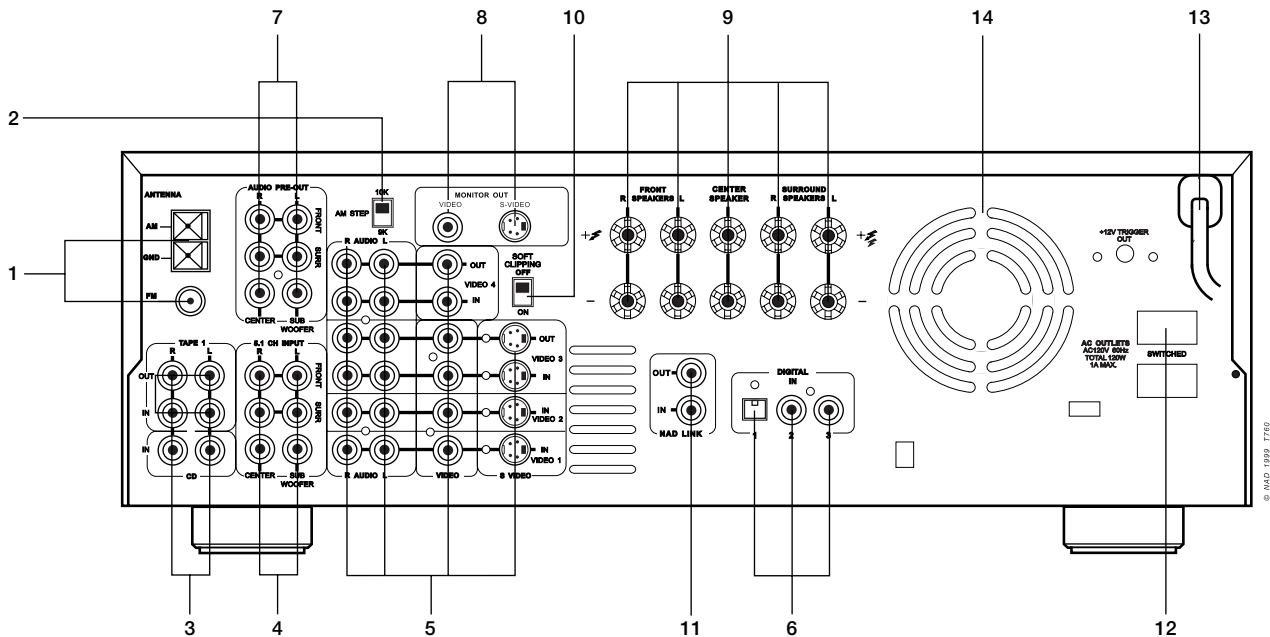
| | | <u>*C</u> | <u>*AH</u> |
|---|--------|------------------|-------------------|
| Usable Sensitivity (98 MHz) | | ≤ 15 dBμ | ≤ 15 dBμ |
| Signal / Noise Ratio | Mono | ≥ 72 dB | ≥ 72 dB |
| (60 dBμ, IHF wtd) | Stereo | ≥ 66 dB | ≥ 66 dB |
| Frequency Response (20 Hz - 15 kHz, 60 dBμ) | | 0 ± 1.5 dB | 0 ± 1.5 dB |
| Channel Separation (60 dBμ) | 100 Hz | ≥ 30 dB | ≥ 30dB |
| | 1 kHz | ≥ 38 dB | ≥ 38 dB |
| | 10 kHz | ≥ 30 dB | ≥ 30 dB |
| Alternate Channel Selectivity (40 dBμ, ±400 kHz) | | ≥ 60 dB | ≥ 45 dB |
| Capture Ratio (40 dBμ) | | ≤ 3 dB | ≤ 3 dB |
| AM Suppression (60 dBμ, 100% Mod.FM, 30% Mod.AM) | | ≥ 48 dB | ≥ 48 dB |
| Image Rejection (119.4 MHz) | | ≥ 85 db | ≥ 40 dB |
| I.F. Rejection (10.7 MHz) | | ≥ 78 dB | ≥ 65 dB |
| Pilot Suppression (60 dBμ) | | ≥ 60 dB | ≥ 60 dB |
| THD (60 dBμ, L=R 75 kHz for AH, 40 kHz Dev for C) | | | |
| | Mono | ≤ 0.25% | ≤ 0.25% |
| | Stereo | ≤ 0.35% | ≤ 0.35% |
| Auto-Search Sensitivity | On | ≥ 24 dBμ | ≥ 24 dBμ |
| | Off | ≤ 15 dBμ | ≤ 15 dBμ |
| RDS decode Sensitivity | | ≤ 26 dBμ | ≤ 26 dBμ |

PHYSICAL SPECIFICATIONS

| | |
|-------------------------------------|--------------------------|
| Dimensions (Width x Height x Depth) | 435 x 131 x 348mm |
| Net weight | 12.27kg (27 lbs) |
| Shipping weight | 13.63kg (30 lbs) |

REAR PANEL / FRONT PANEL

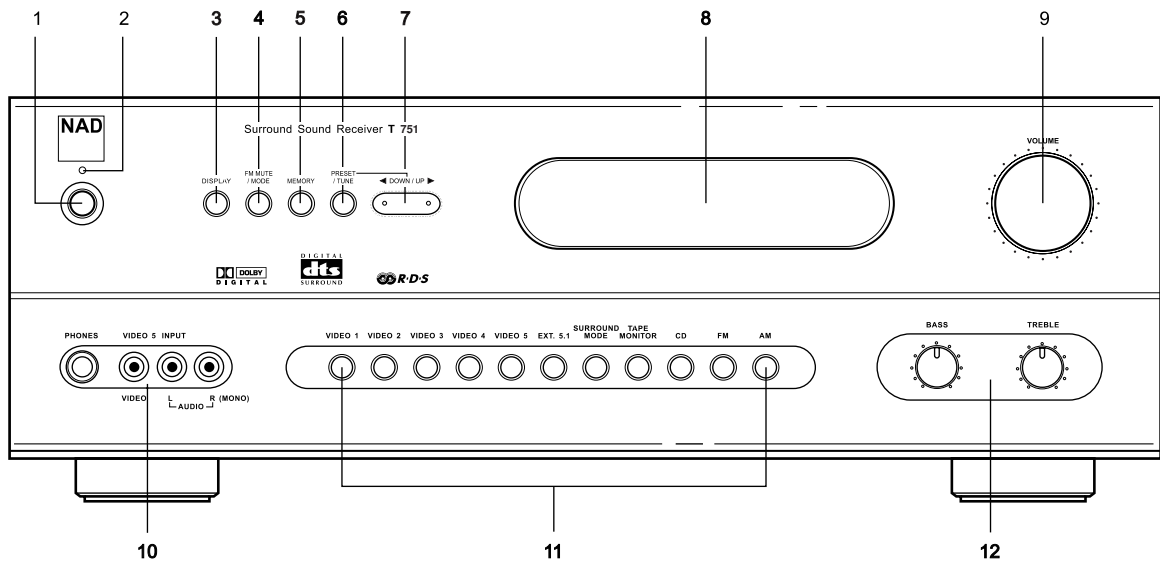
REAR PANEL



- 1. FM & AM ANTENNA
- 2. AM STEPPING FREQUENCY
- 3. TAPE 1 & CD INPUTS
- 4. 5.1 CHANNEL INPUTS
- 5. VIDEO 1 - VIDEO 4 (AUDIO & VIDEO) INPUTS
- 6. DIGITAL AUDIO INPUTS
- 7. AUDIO PRE-OUTS / SUBWOOFER OUT

- 8. MONITOR OUT
- 9. FRONT, CENTER & SURROUND SPEAKERS
- 10. SOFT CLIPPING
- 11. NAD-LINK INPUT/OUTPUT
- 12. SWITCHED POWER OUTLETS (*AH ONLY)
- 13. AC POWER CORD
- 14. COOLING FAN

FRONT PANEL



- 1. POWER
- 2. STAND-BY
- 3. DISPLAY
- 4. FM MUTE / MODE
- 5. MEMORY
- 6. PRESET / TUNE
- 7. DOWN / UP ◀ AND ▶

- 8. VFL DISPLAY
- 9. VOLUME
- 10. HEADPHONE SOCKET & VIDEO 5 INPUT
- 11. AUDIO & VIDEO INPUT SELECTORS & SURROUND MODE
- 12. BASS & TREBLE CONTROLS

DISASSEMBLY INSTRUCTIONS

1. Remove machine screws M 4.0 x 6.0 (① to ⑥) from the side panels.

Remove tapping screw 3.0 x 8.5 (⑦) from the back panel.

Refer to **Figure No.1**.

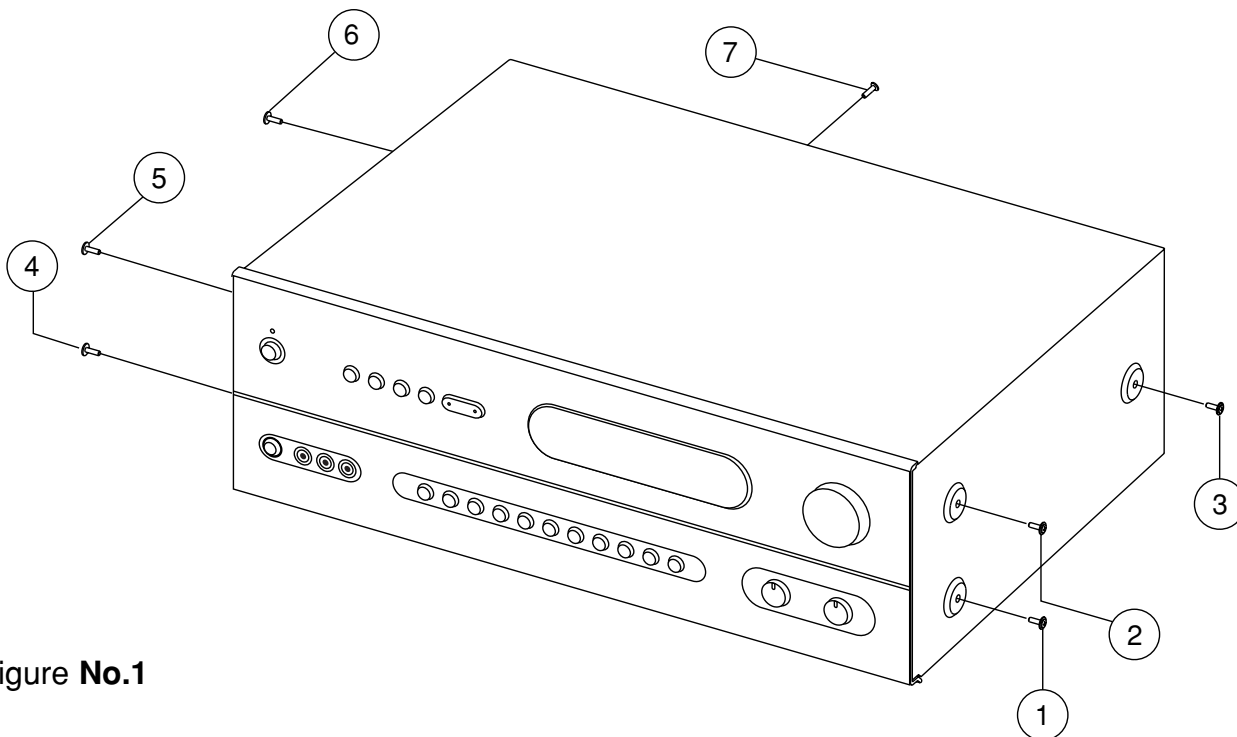


Figure No.1

2. Pull both sides of the TOP COVER slightly outwards (⑧) and tilt approx. 35° and then remove in the direction as indicated by the arrow (⑨). Refer to **Figure No.2**.

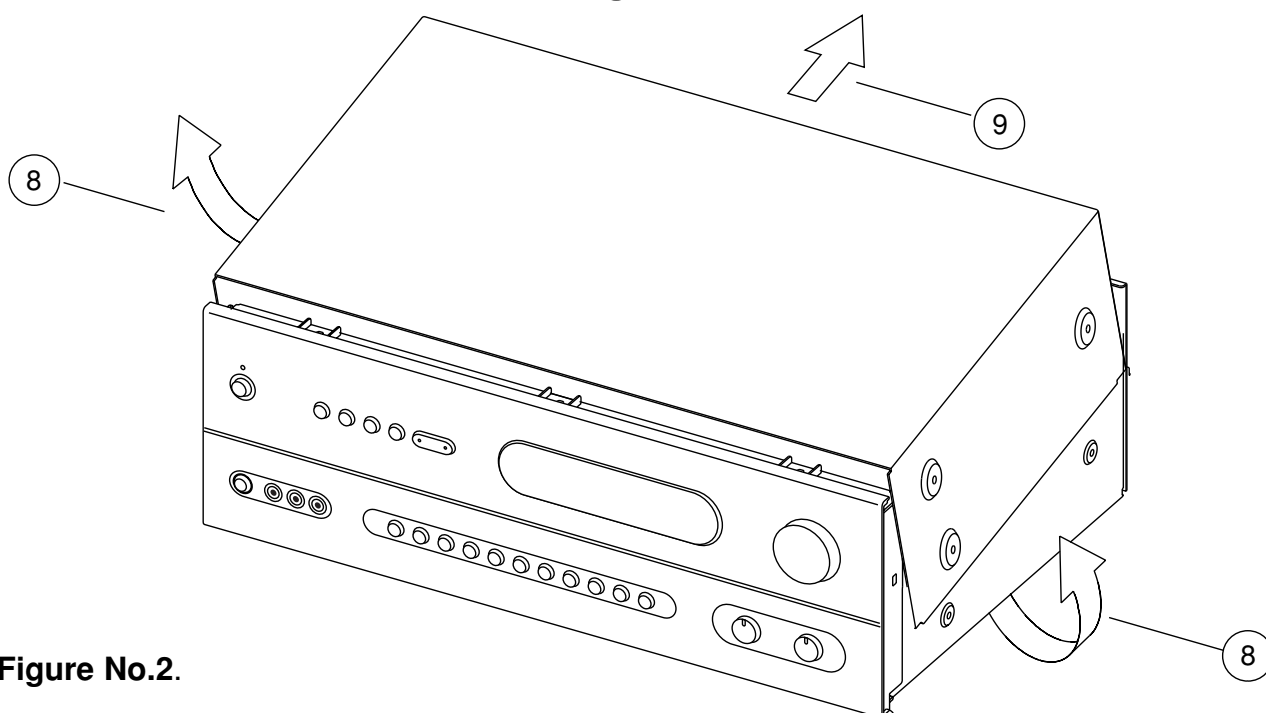
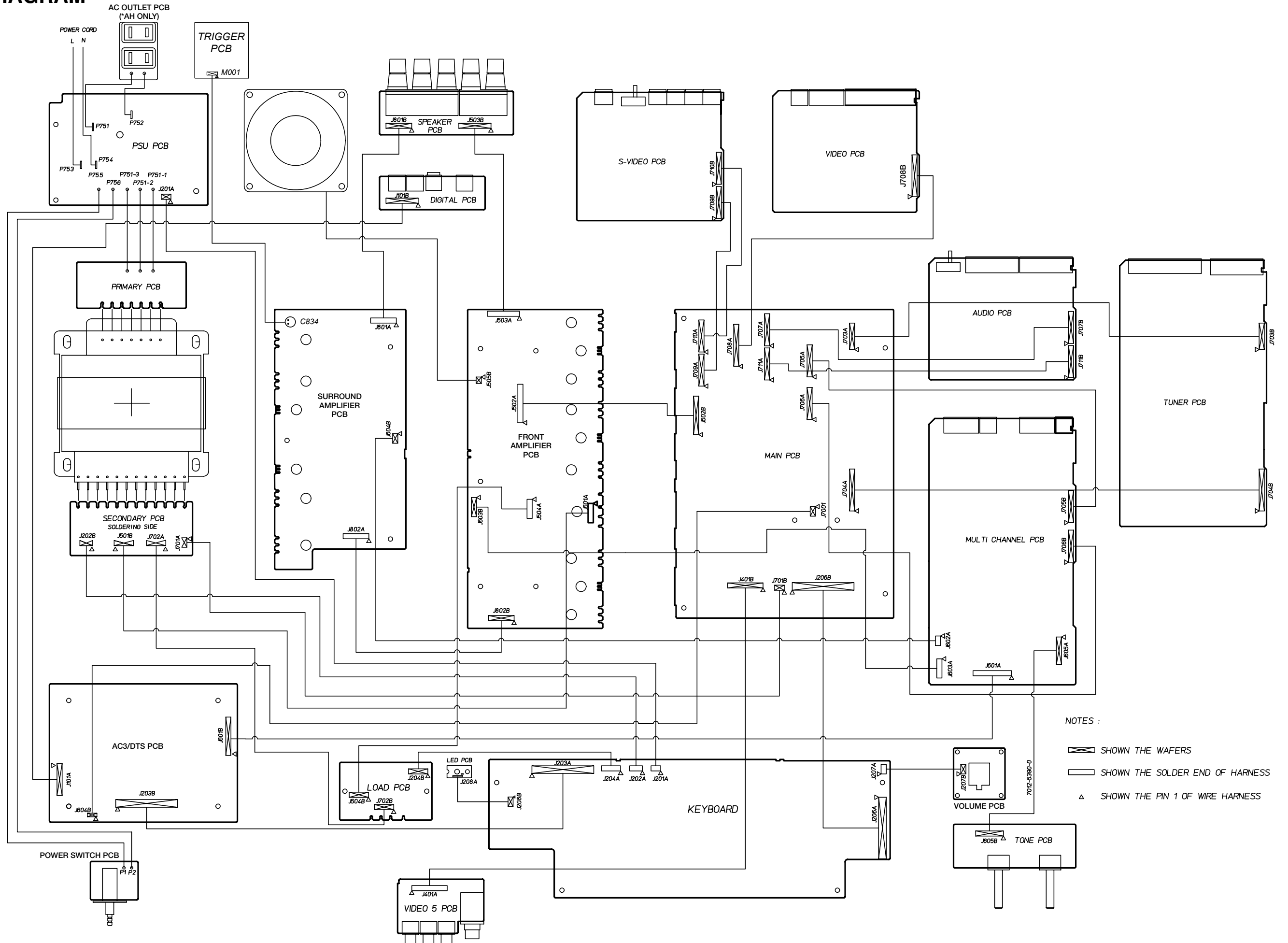

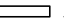



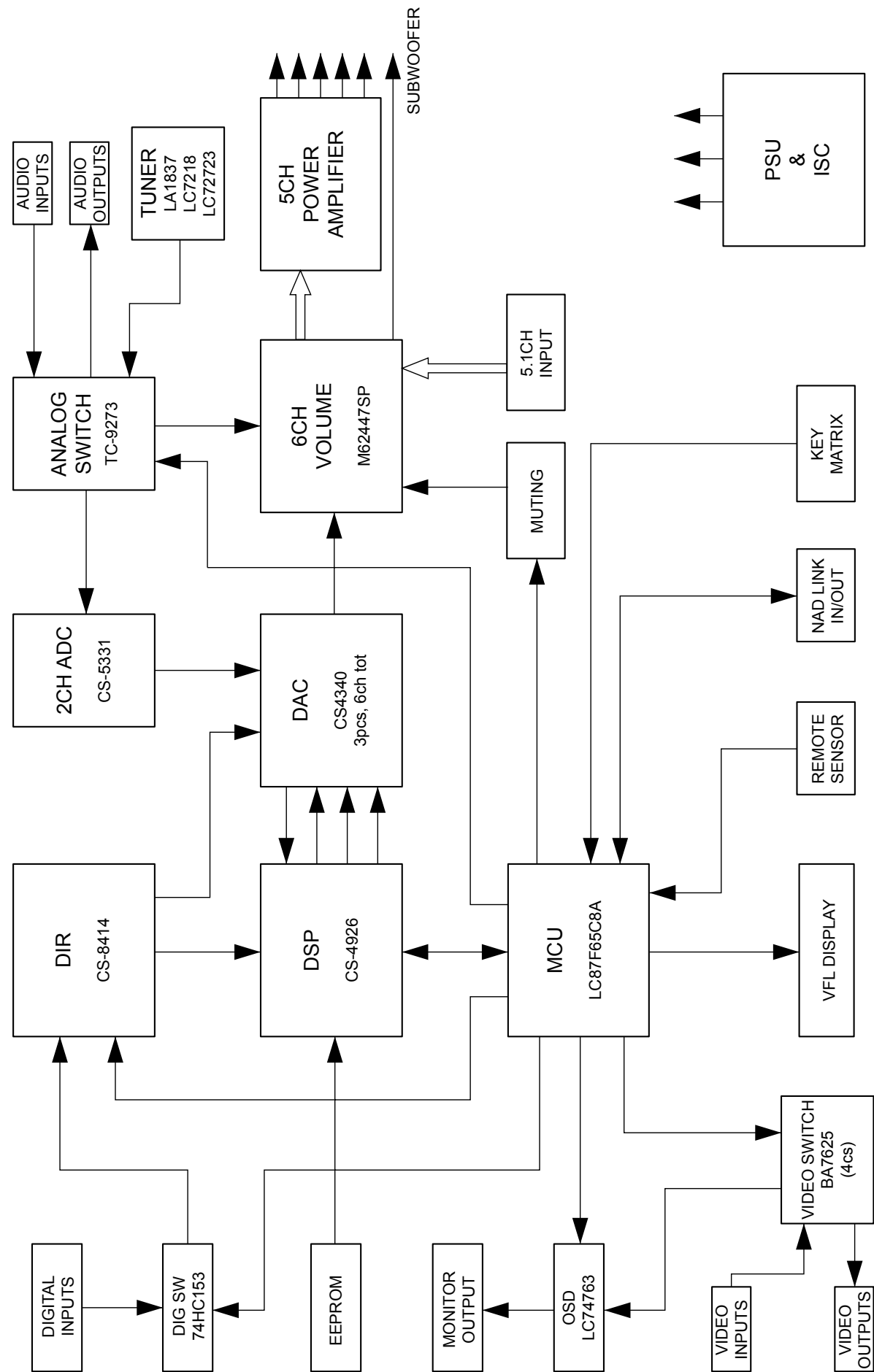
Figure No.2

WIRING DIAGRAM



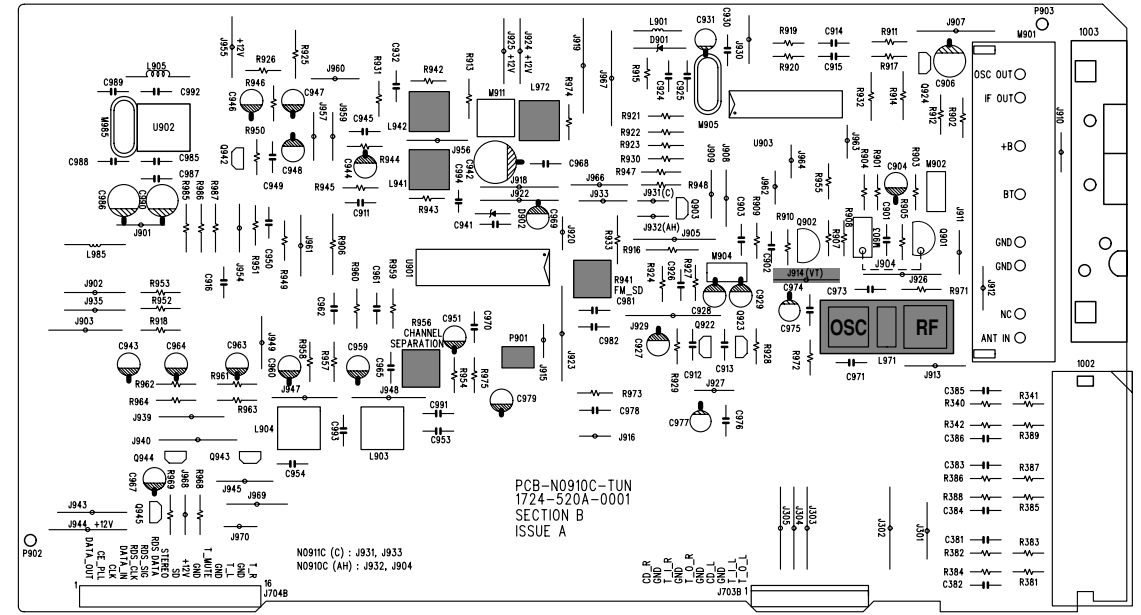
- NOTES :
-  SHOWN THE WAFERS
 -  SHOWN THE SOLDER END OF HARNESS
 -  SHOWN THE PIN 1 OF WIRE HARNESS

BLOCK DIAGRAM

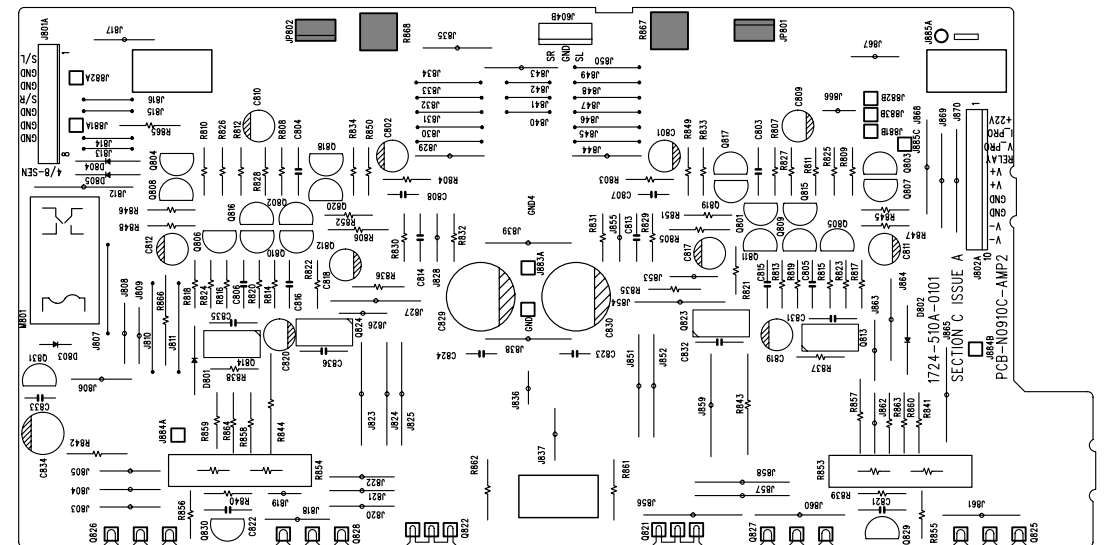
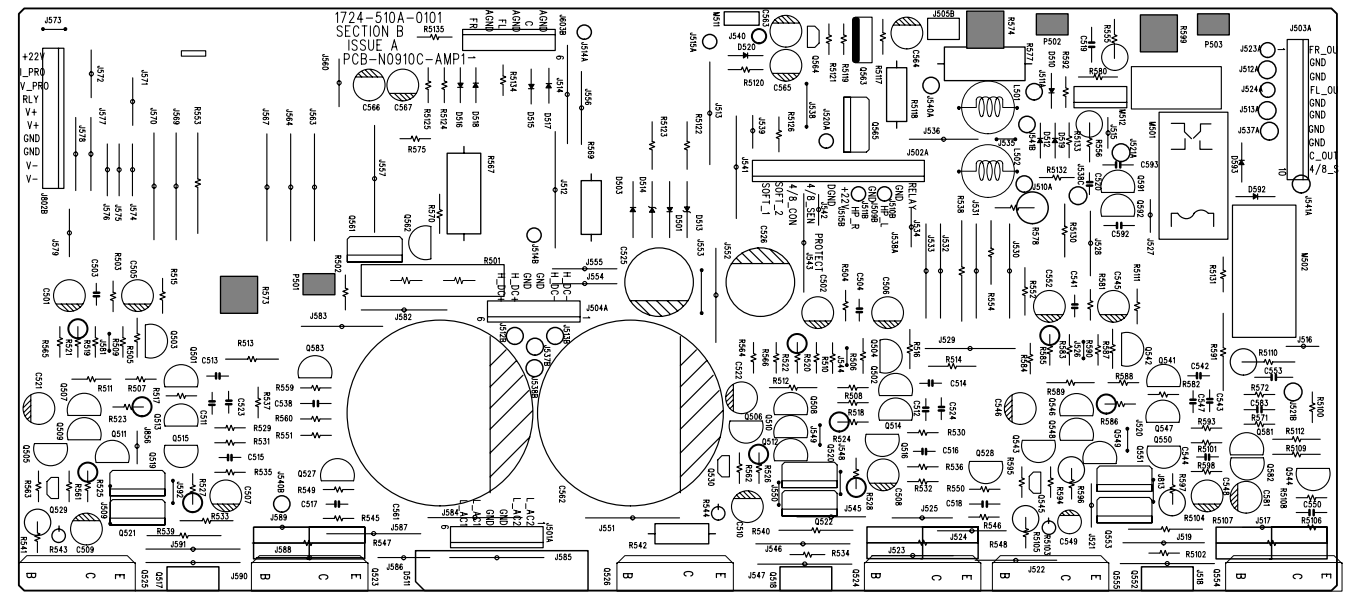


ADJUSTMENT POINTS DIAGRAM

1. TUNER



2. IDLE CURRENT - Front Amplifier & Surround Amplifier Board



INSTRUMENT SETUP

1. FM MEASUREMENT

Fig. 1

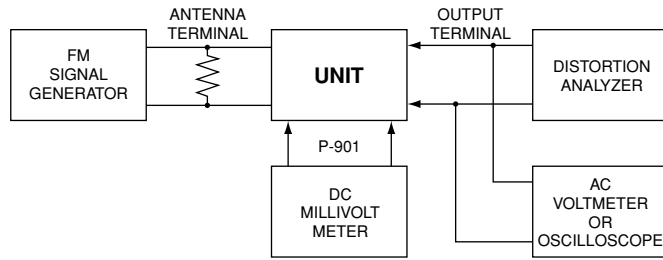
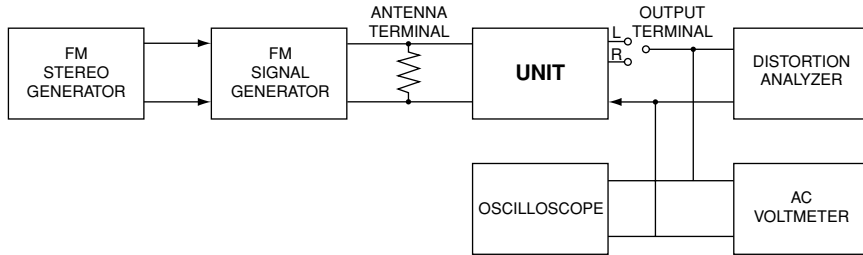
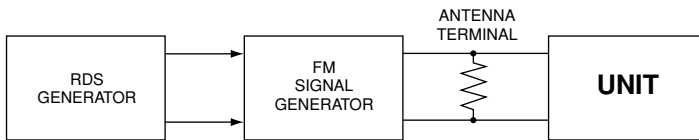


Fig. 2



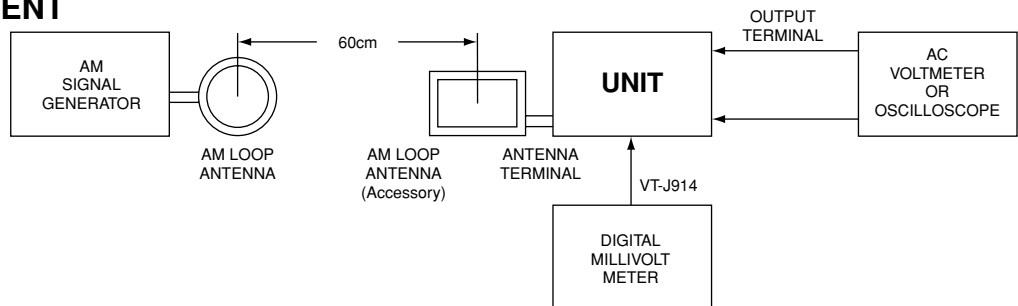
2. RDS MEASUREMENT

Fig. 3



3. AM MEASUREMENT

Fig. 4



ALIGNMENT PROCEDURES

AMPLIFIER SECTION

Idle Current

| Step | Item | Connection | Adjustment | Adjust for |
|------|---------------------|--|------------|------------|
| 1 | Front Left Channel | Voltmeter to P502 on Front Amp Board | R574 | 2mV±0.2mV |
| 2 | Front Right Channel | Voltmeter to P501 on Front Amp Board | R573 | 2mV±0.2mV |
| 3 | Center Channel | Voltmeter to P503 on Front Amp Board | R599 | 2mV±0.2mV |
| 4 | Rear Left Channel | Voltmeter to JP801 on Surround Amplifier Board (PCB N0901C-AMP2) | R867 | 2mV±0.2mV |
| 5 | Rear Right Channel | Voltmeter to JP802 on Surround Amplifier Board (PCB N091C-AMP2) | R868 | 2mV±0.2mV |

FM/RDS SECTION

- FM mono: 1kHz, 75kHz devi., 60dB/μV
- FM stereo: 1kHz, 67.5kHz devi., 60dB/μV
- Pilot signal 19kHz 7.5kHz devi.

OUTPUTS

- Connect the non-inductive type resistor of 8 ohms to the all speaker terminals unless otherwise noted.

| Item | Step | Connection of instrument | FM SG output | Stereo modulator output | Tuning frequency | Output indicator | Adjustment point | Adjust for | Remarks |
|-------------------|---------------------|--------------------------|---|-------------------------|------------------|----------------------|----------------------|--------------------|--|
| FM IF/RF | 1 | Fig.1 | 99.0MHz 1kHz 75kHz devi. 65dBf (60dB) | - | 99.0MHz | DC voltmeter | L941 | 0±100mV | FM MUTE/MODE switch: ON/AUTO Repeat the steps 1 to 3 until no further adjustment is necessary. |
| | AC voltmeter | | | | | IFT on the front end | Maximum | | |
| | Distortion analyzer | | | | | L942 | Minimum | | |
| Stereo Distortion | | Fig.2 | 99.0MHz Ext. mod. 65dBf (60dB) | Channel L or R 1kHz | 99.0MHz | Distortion analyzer | IFT on the front end | Minimum | FM MUTE/MODE switch: ON/AUTO Don't turn more than +/-180° |
| Stereo Separation | | Fig.2 | 99.0MHz Ext. mod. 65dBf (60dB) | Channel L or R 1kHz | 99.0MHz | Oscilloscope | R956 | Maximum separation | Repeat stereo distortion and stereo separation alignment until THD at minimum and separation at maximum. |
| Muting Level | | Fig.1 | 99.0MHz 18dB | - | 99.0MHz | Oscilloscope | R941 | Signal output | |
| RDS | | Fig.3 | 99.0MHz Ext. mod.65dBf(60dB) RDS 2% MOD | - | 99.0MHz | - | - | - | Decode the RDS-Program Station. |

AM SECTION

- AM Modulation: 400Hz, 30%
- For AH Version

| Step | AM SG output | Tuning frequency | Output indicator | Adjustment point | Adjust for |
|------|------------------------------------|------------------|----------------------|---------------------------|------------|
| 1 | - | 530kHz | Digital DC voltmeter | OSC coil on RF block L971 | 1.35±0.2V |
| 2 | 600kHz 400Hz 30% mod. 60dB/m | 600kHz | AC voltmeter | RF coil on RF block L971 | Maximum |
| 3 | 600kHz 400Hz 30% mod. 60dB/m | 990kHz | AC voltmeter | L972 | Maximum |

For C Version

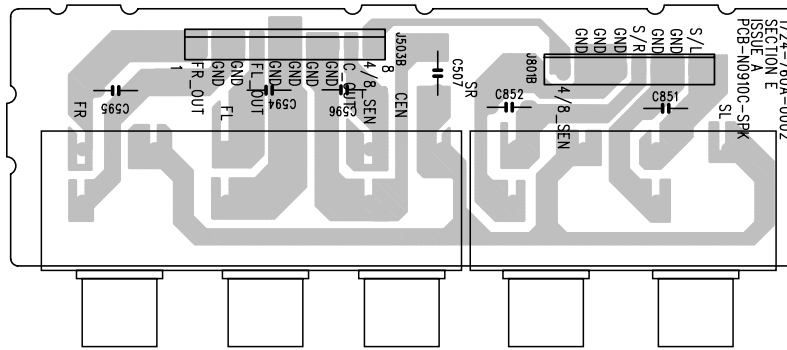
| Step | AM SG output | Tuning frequency | Output indicator | Adjustment point | Adjust for |
|------|------------------------------------|------------------------|----------------------|---------------------------|---|
| 1 | - | 522kHz or 531kHz | Digital DC voltmeter | OSC coil on RF block L971 | 1.3±0.2V (522kHz) 1.35±0.2V (531kHz) |
| 2 | 600kHz 400Hz 30% mod. 60dB/m | 603kHz | AC voltmeter | RF coil on RF block L971 | Maximum |
| 3 | 600kHz 400Hz 30% mod. 60dB/m | 999kHz | AC voltmeter | L972 | Maximum |

IMPORTANT NOTES

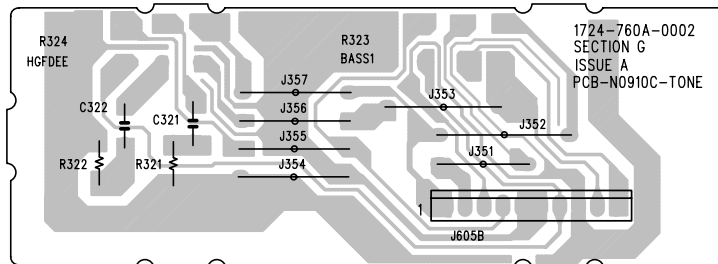
- 1. Show the software version**
Press "VIDEO 5" and "EXT 5.1" and "DISPLAY".
- 2. Toggle between PAL and NTSC**
Press "MEMORY" and "VIDEO 1".
- 3. Light UP all the icon on the VFL.**
Press "VIDEO 1" and "EXT 5.1" and "DISPLAY".
- 4. Delete All Tuner Presets**
 - a) Change the setting of 9kHz/10kHz AM step switch and then switch on the unit.
 - b) Switch off the unit and put back the 9kHz/10kHz AM step switch to the right setting. Then switch on the unit. (i.e. 9kHz=C ver., 10kHz=AH ver.)

PCB LAYOUT

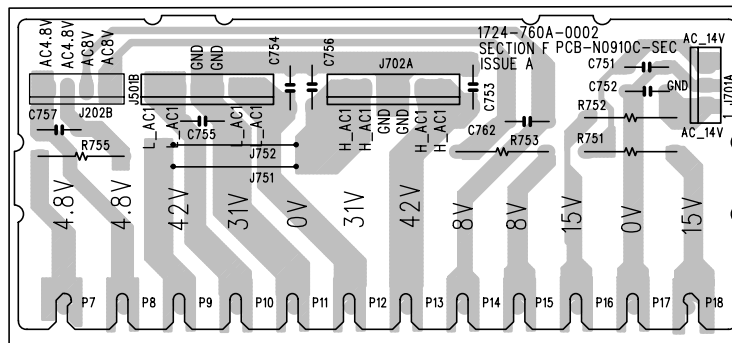
SPEAKER BOARD



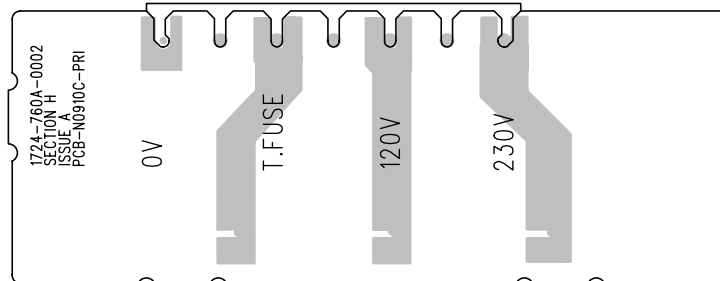
TONE BOARD



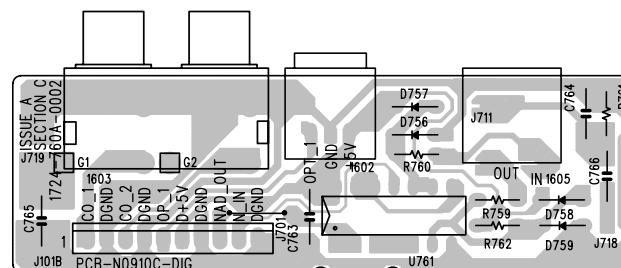
SECONDARY BOARD



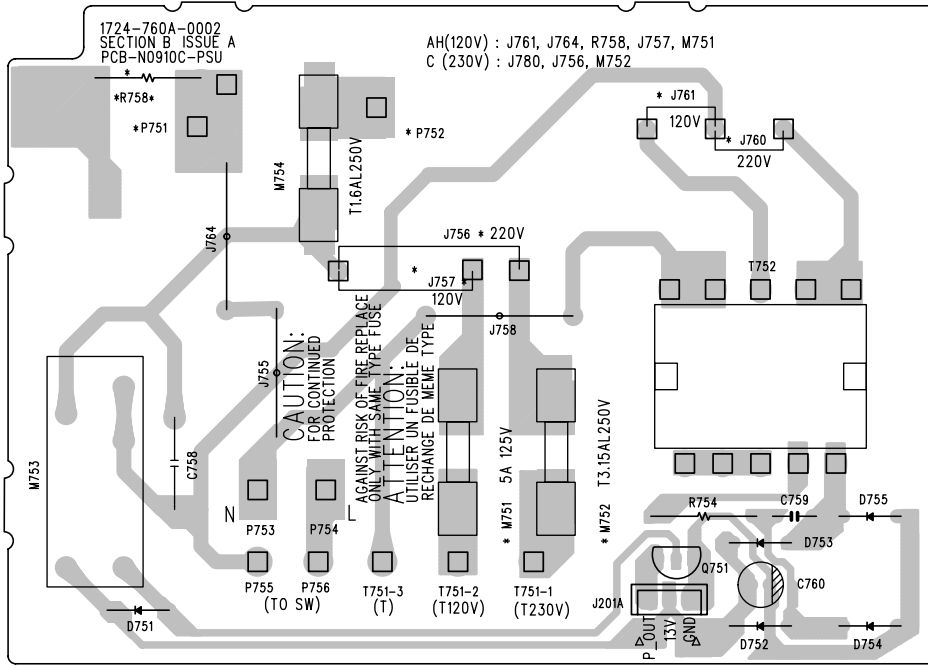
PRIMARY BOARD



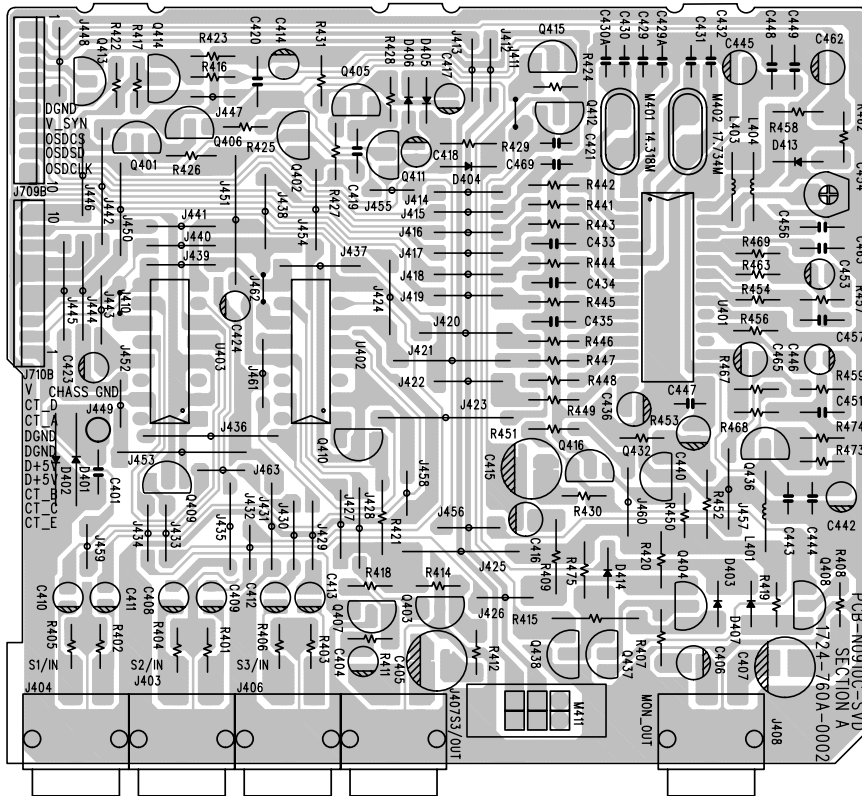
DIGITAL BOARD



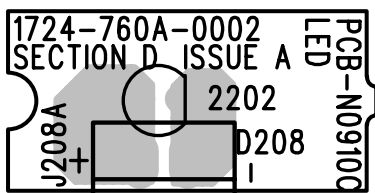
PSU BOARD



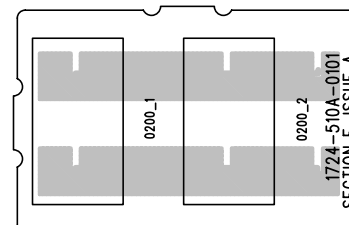
S-VIDEO BOARD



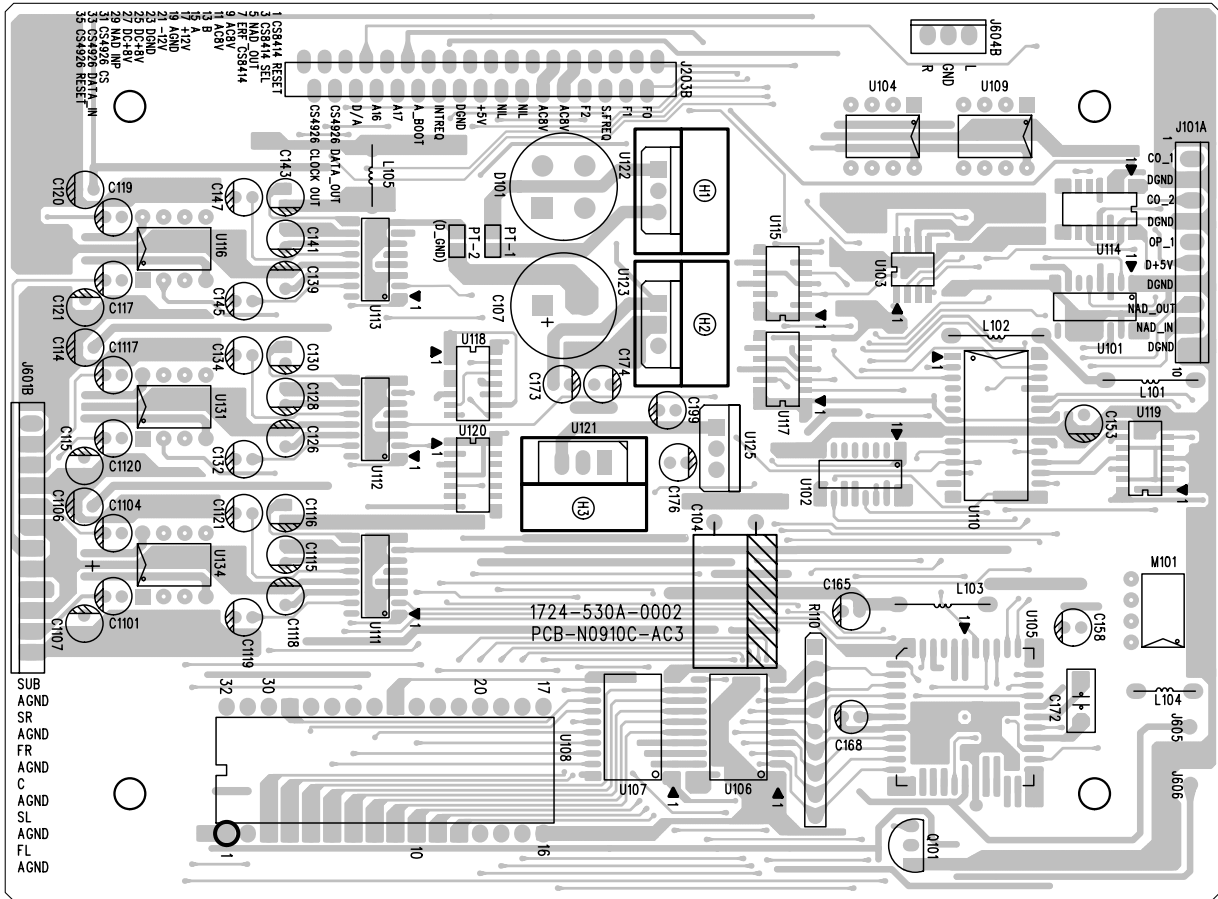
LED BOARD



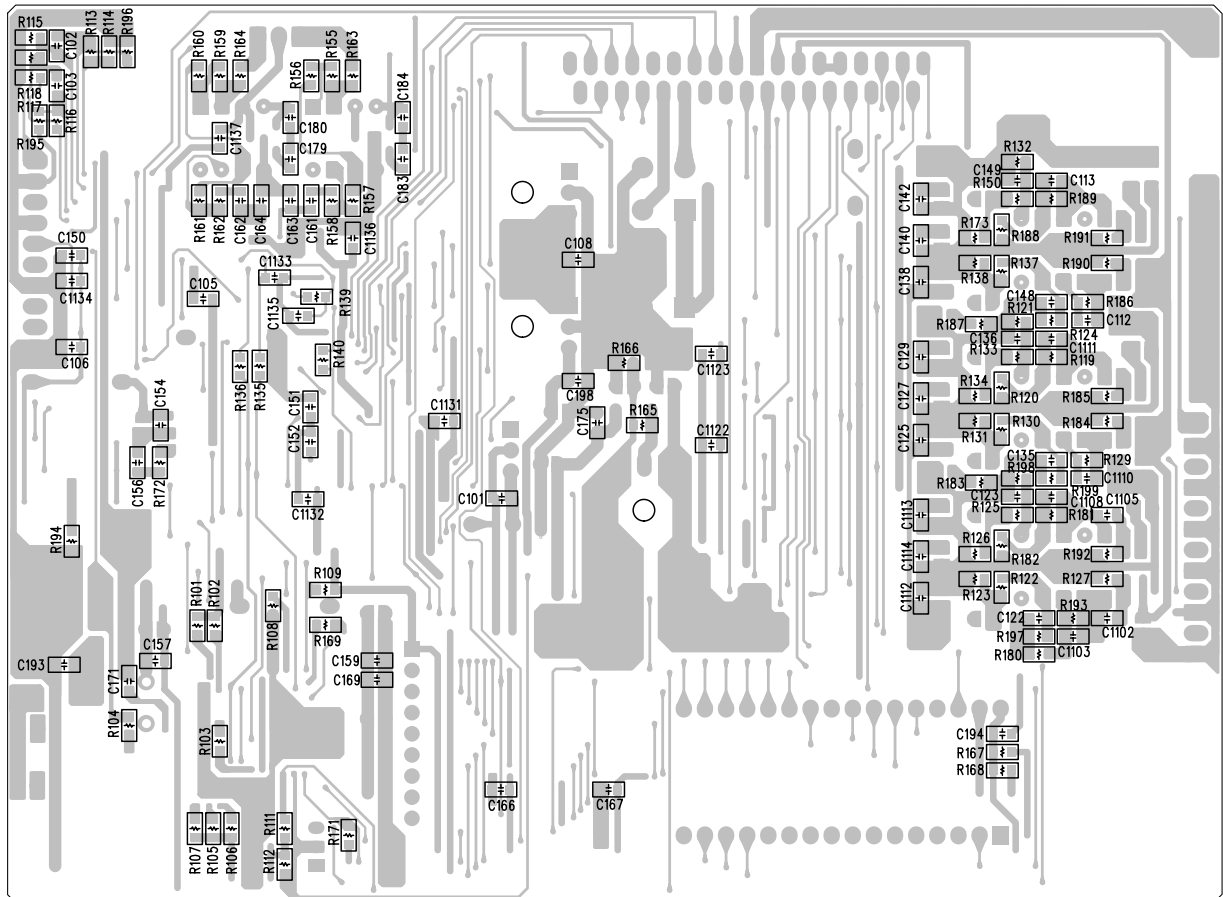
AC OUTLET BOARD



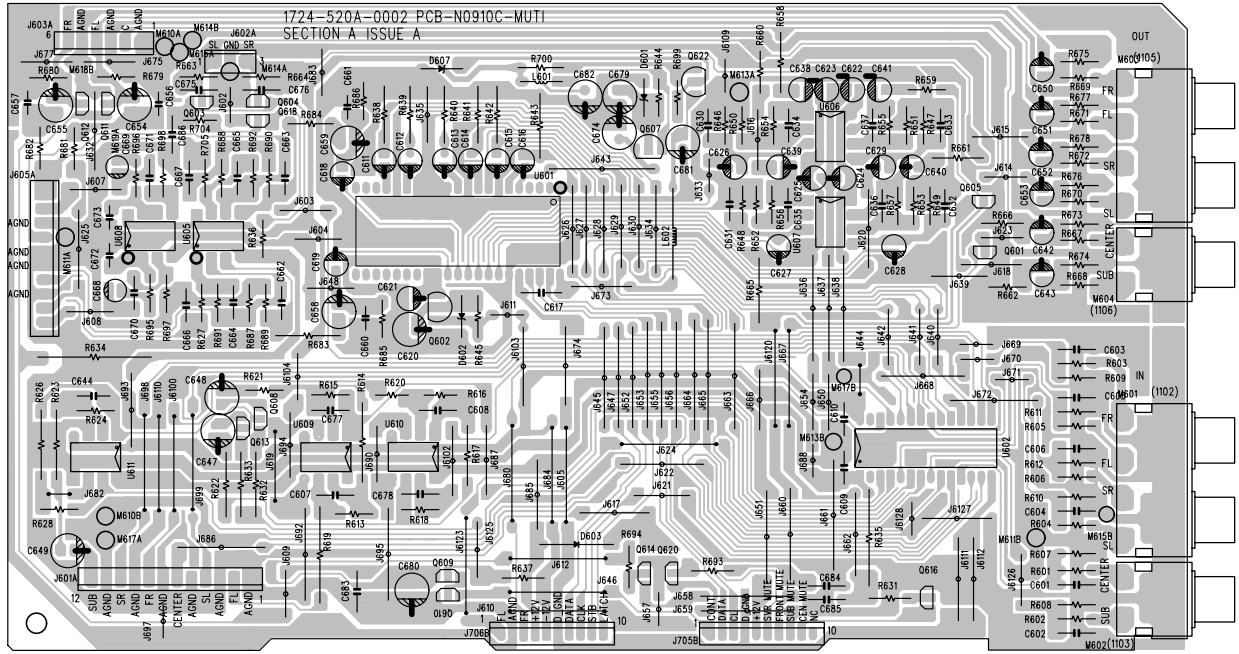
AC3 / DTS BOARD - COMPONENT SIDE



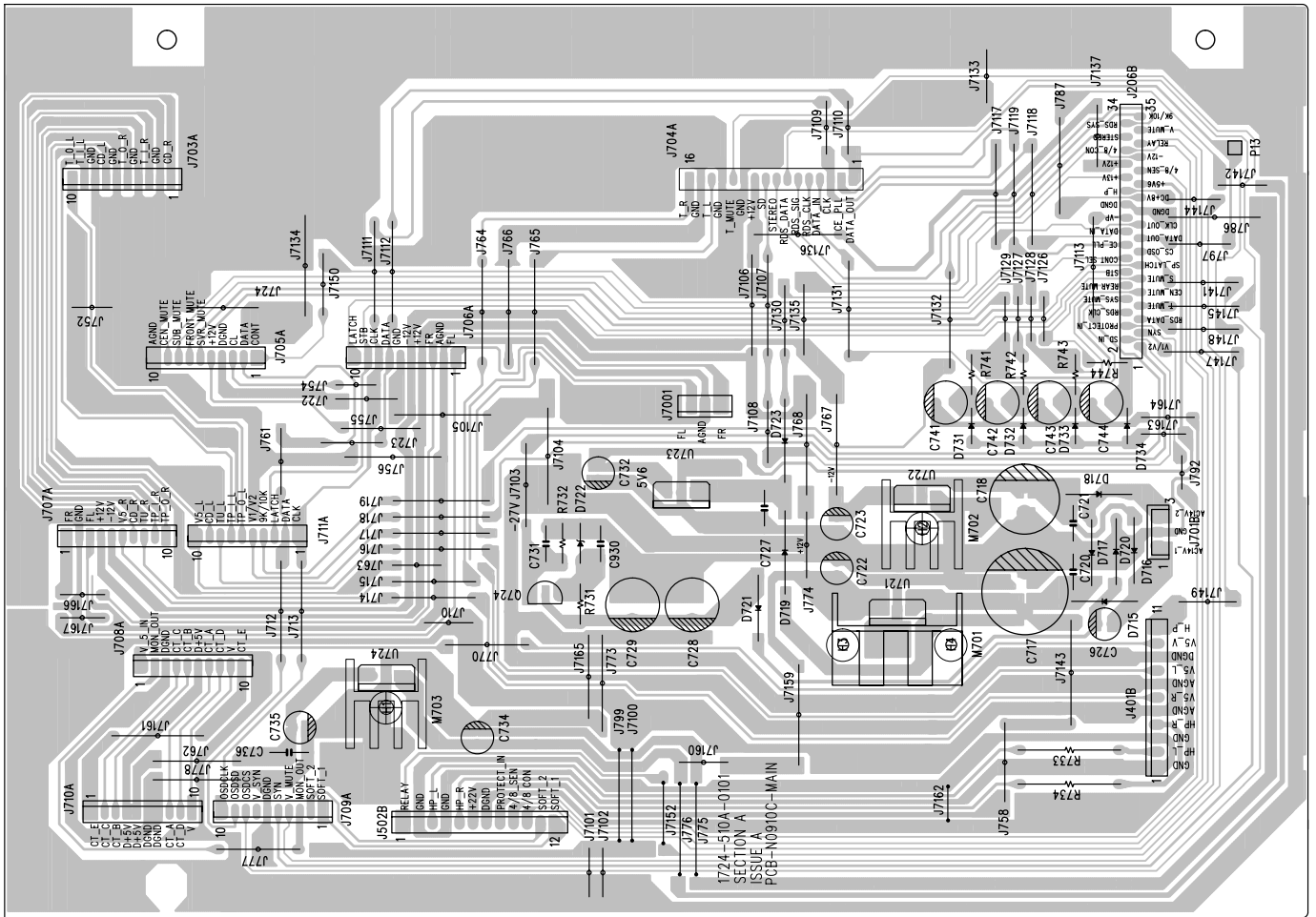
AC3 / DTS BOARD - SOLDER SIDE



MULTI-CHANNEL BOARD

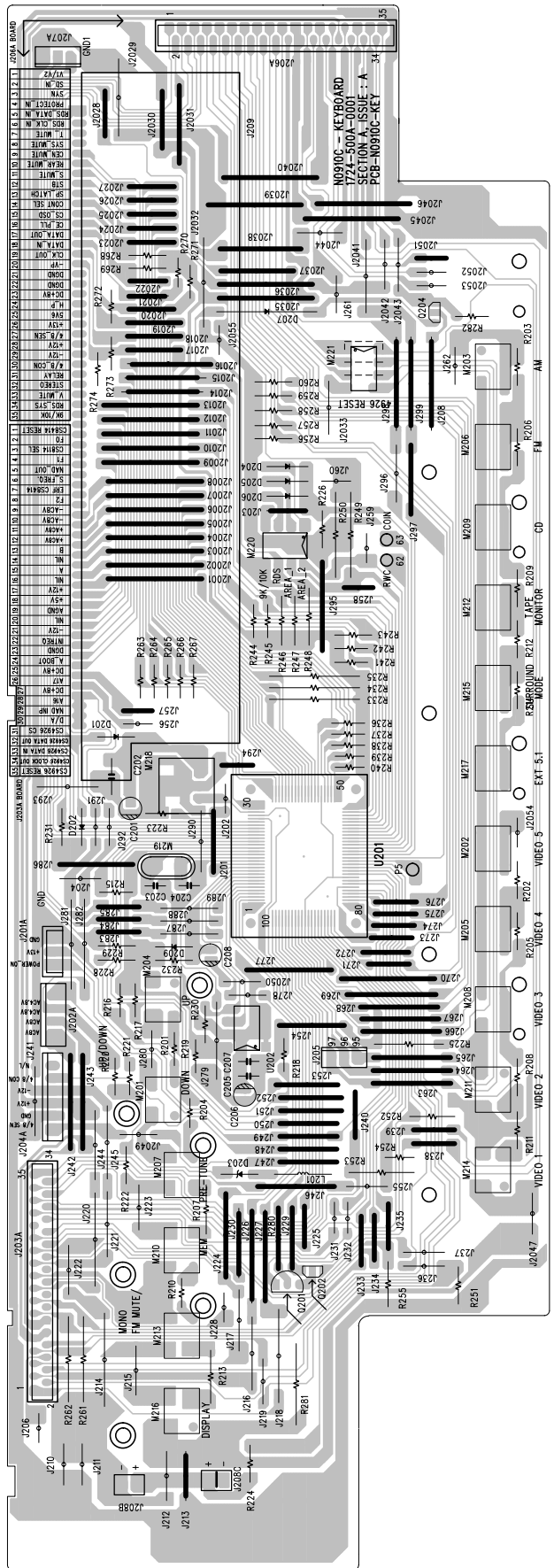
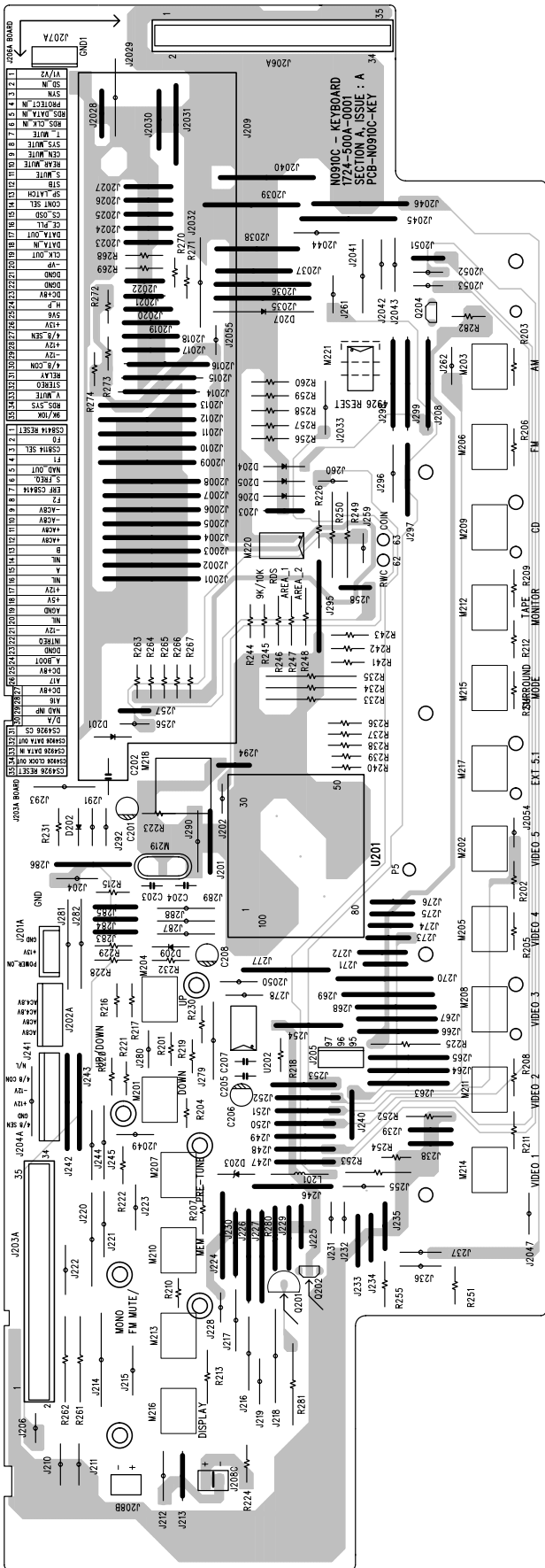


MAIN BOARD

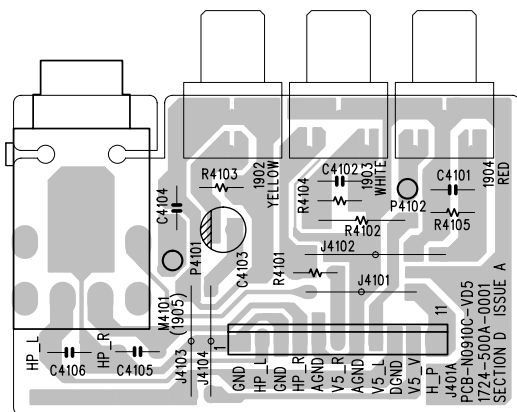


KEYBOARD - COMPONENT SIDE

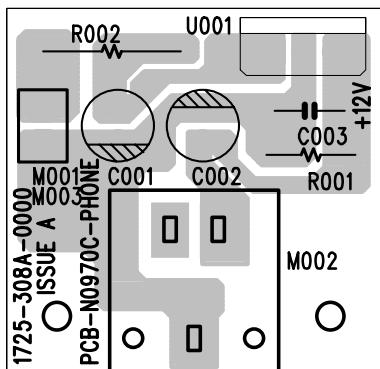
KEYBOARD - SOLDER SIDE



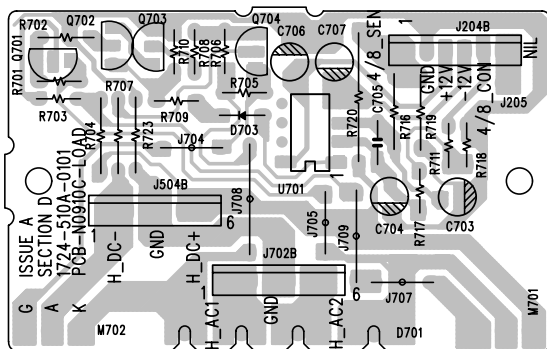
VIDEO 5 BOARD



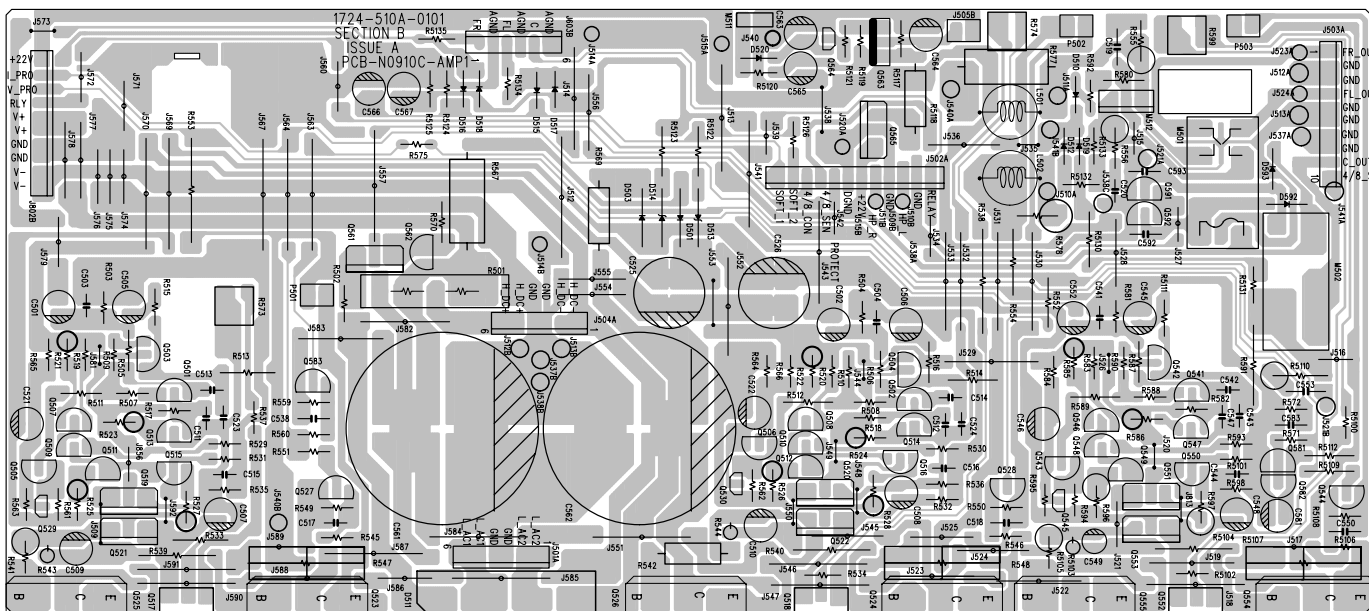
TRIGGER BOARD



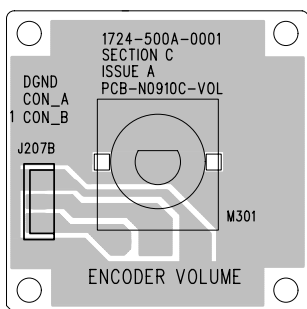
LOAD BOARD



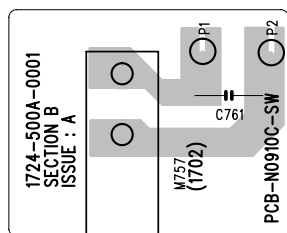
FRONT AMPLIFIER BOARD



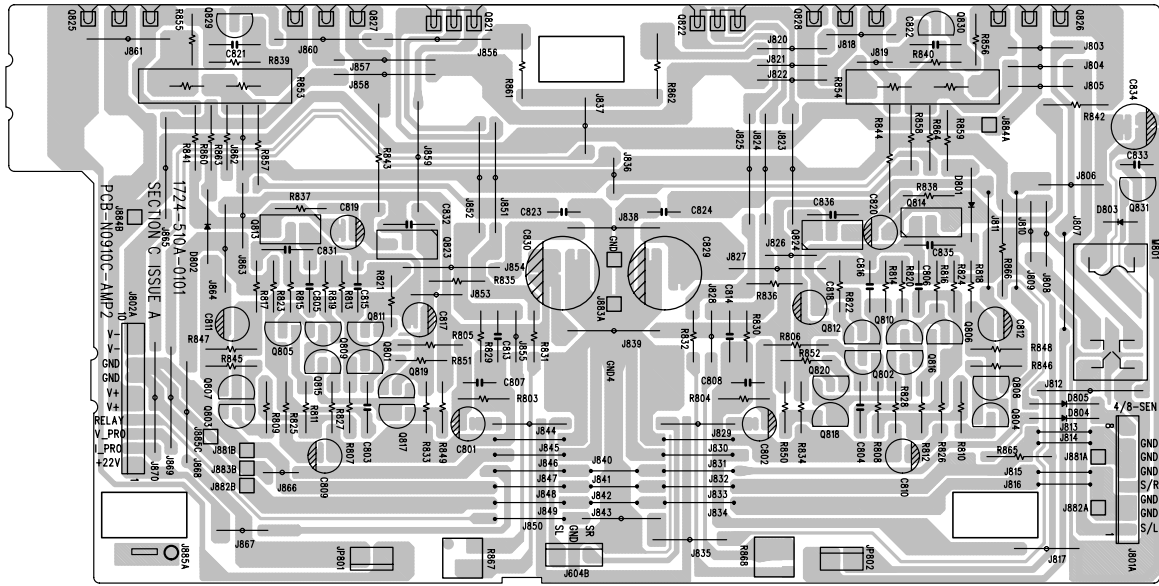
VOLUME BOARD



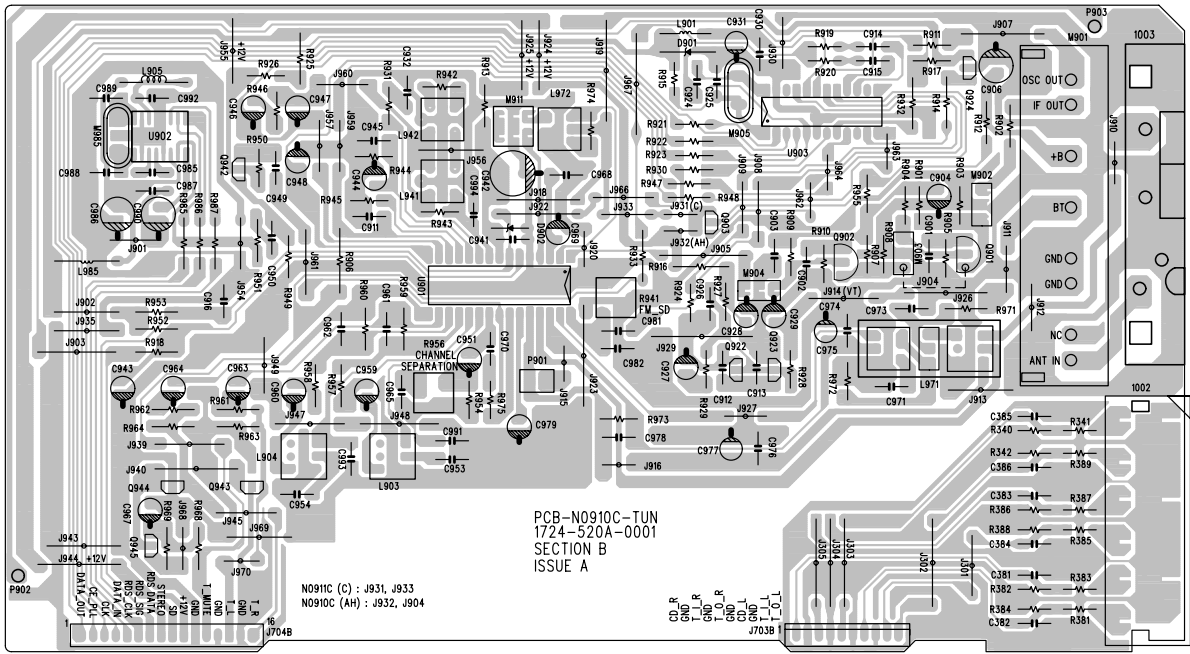
POWER SWITCH BOARD



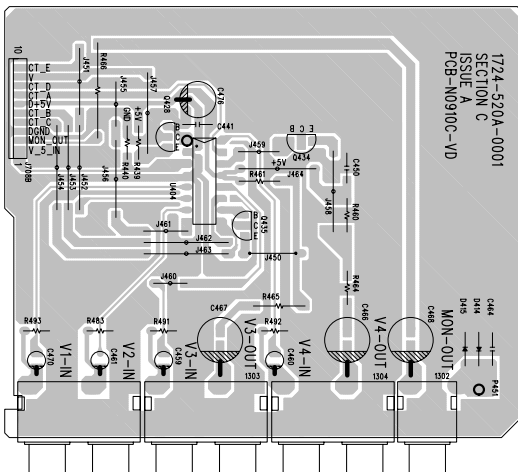
SURROUND AMPLIFIER BOARD



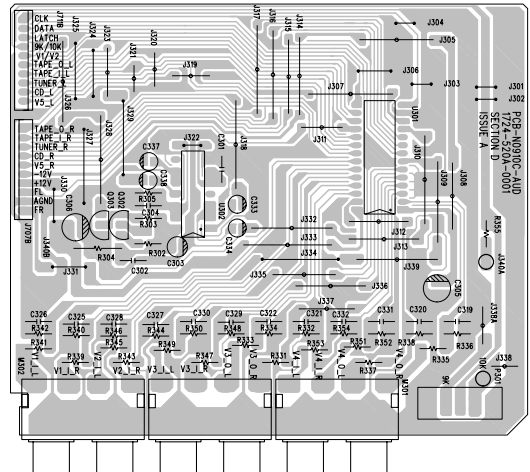
TUNER BOARD



VIDEO BOARD

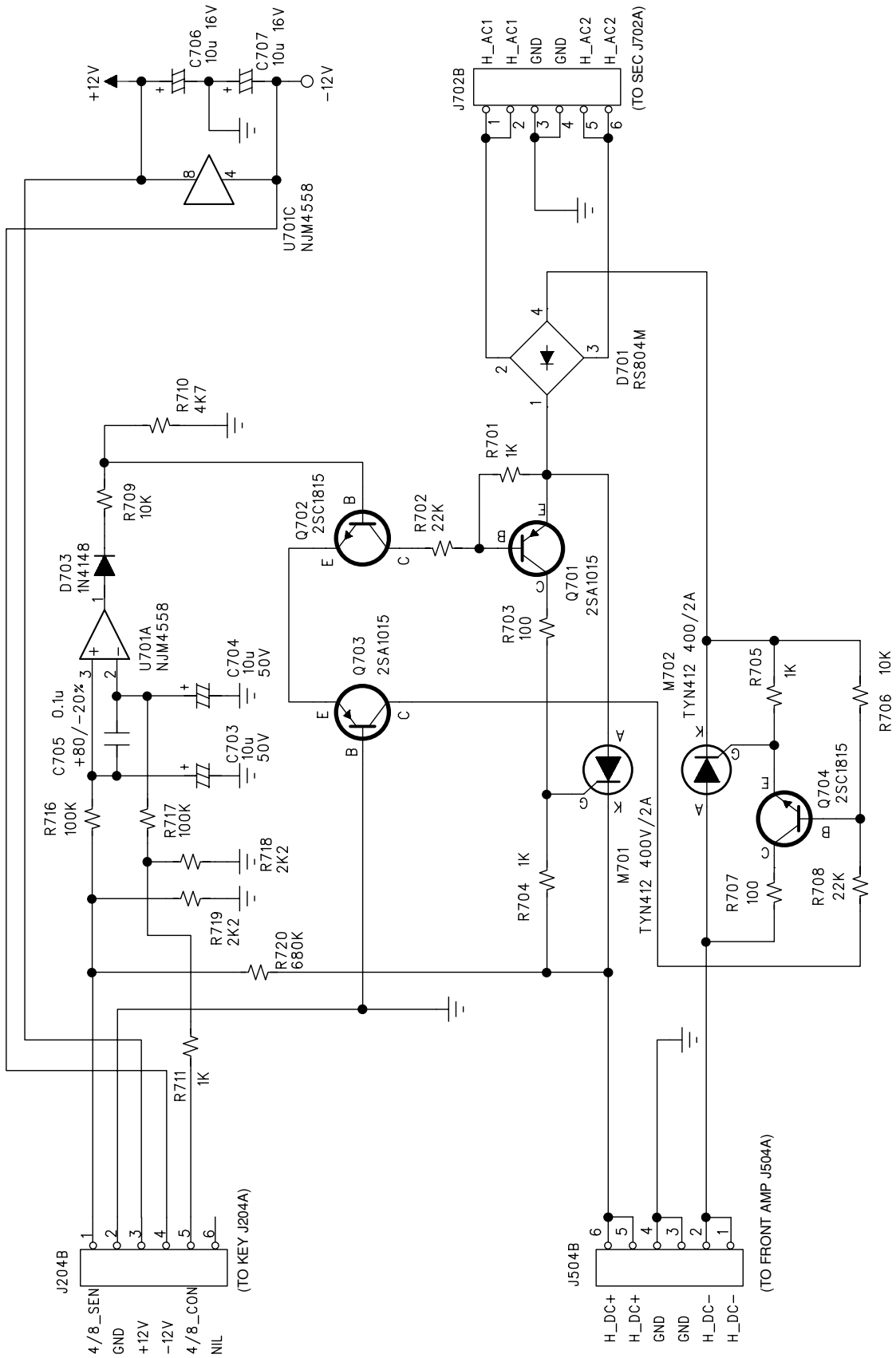


AUDIO BOARD



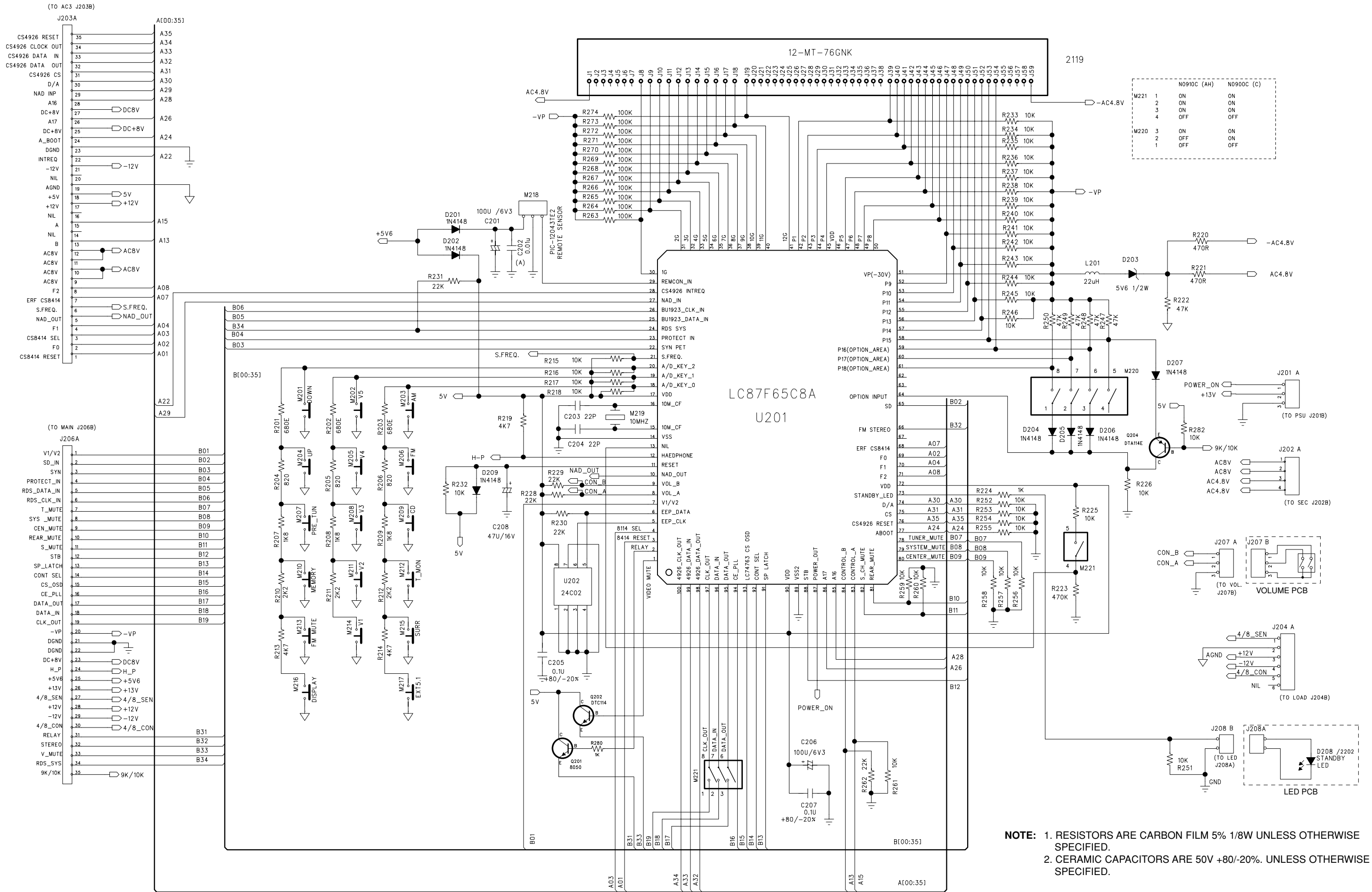
SCHEMATIC DIAGRAM

LOAD



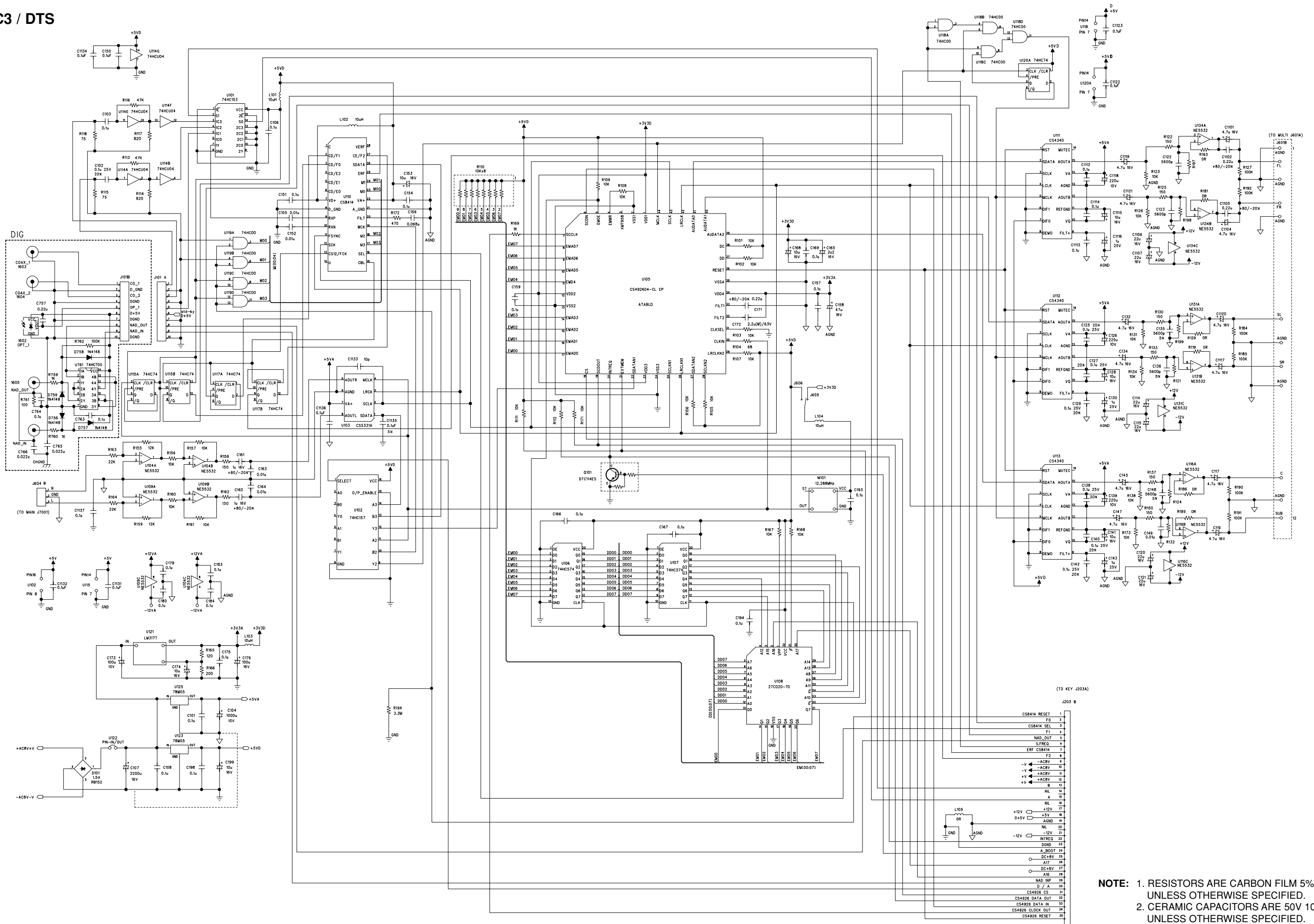
NOTE: 1. RESISTORS ARE CARBON FILM 5% 1/8W UNLESS OTHERWISE SPECIFIED.
2. CERAMIC CAPACITORS ARE 50V +80/-20%. UNLESS OTHERWISE SPECIFIED.

KEY



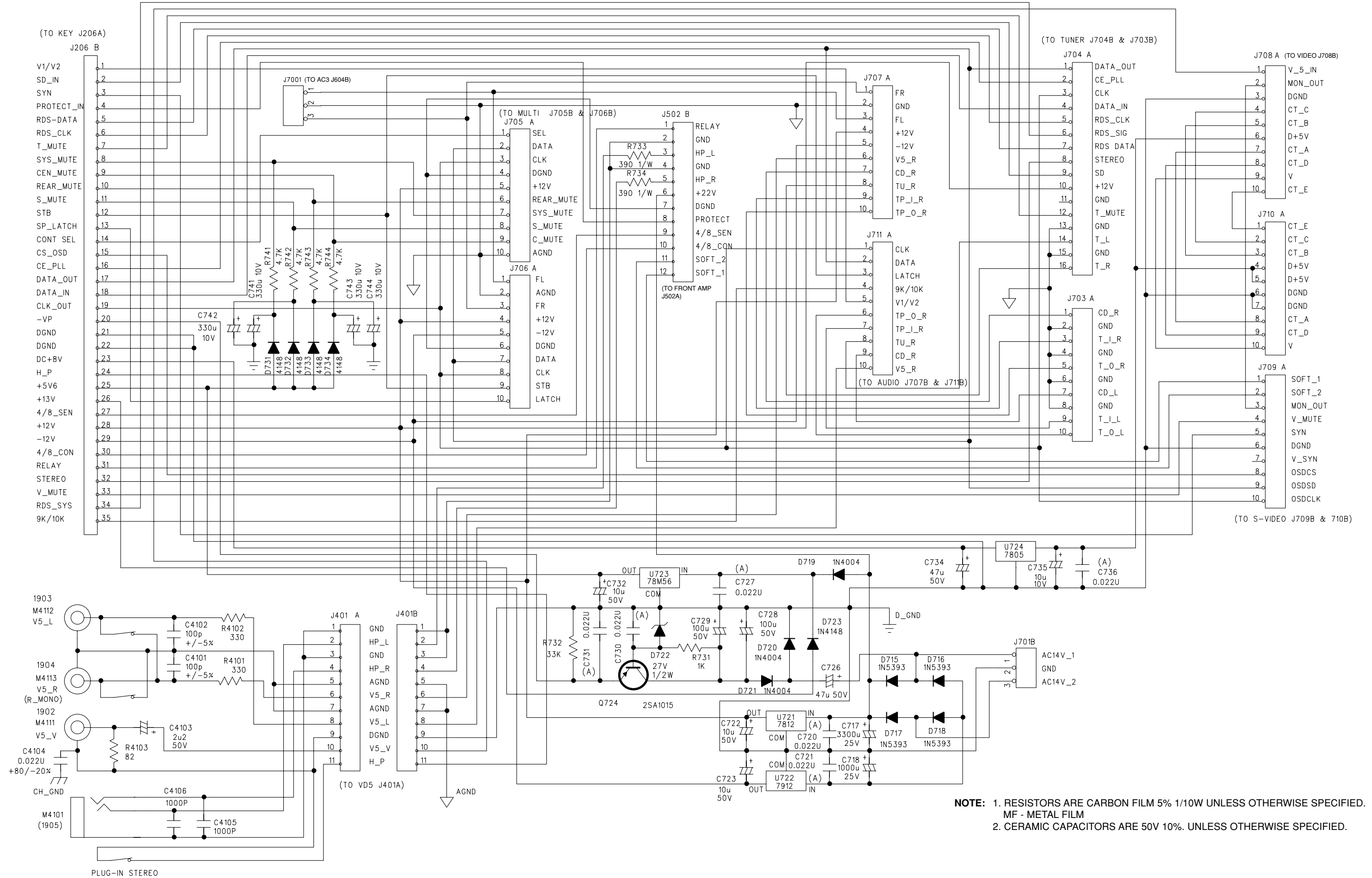
NOTE: 1. RESISTORS ARE CARBON FILM 5% 1/8W UNLESS OTHERWISE SPECIFIED.
 2. CERAMIC CAPACITORS ARE 50V +80/-20%. UNLESS OTHERWISE SPECIFIED.

AC3 / DTS

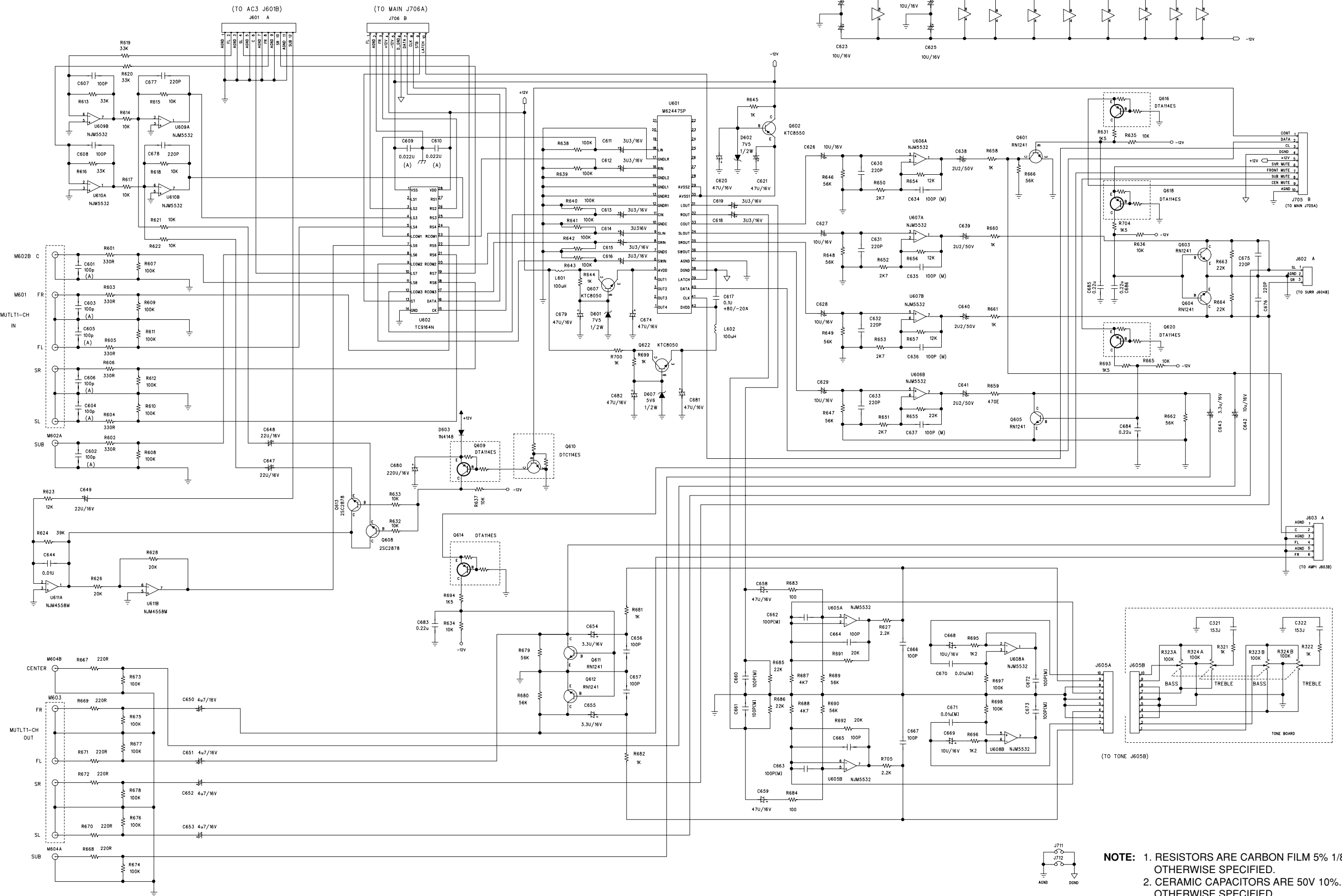


NOTE: 1. RESISTORS ARE CARBON FILM 5% 1/8W UNLESS OTHERWISE SPECIFIED.
 2. CERAMIC CAPACITORS ARE 50V 10% UNLESS OTHERWISE SPECIFIED.

MAIN BOARD

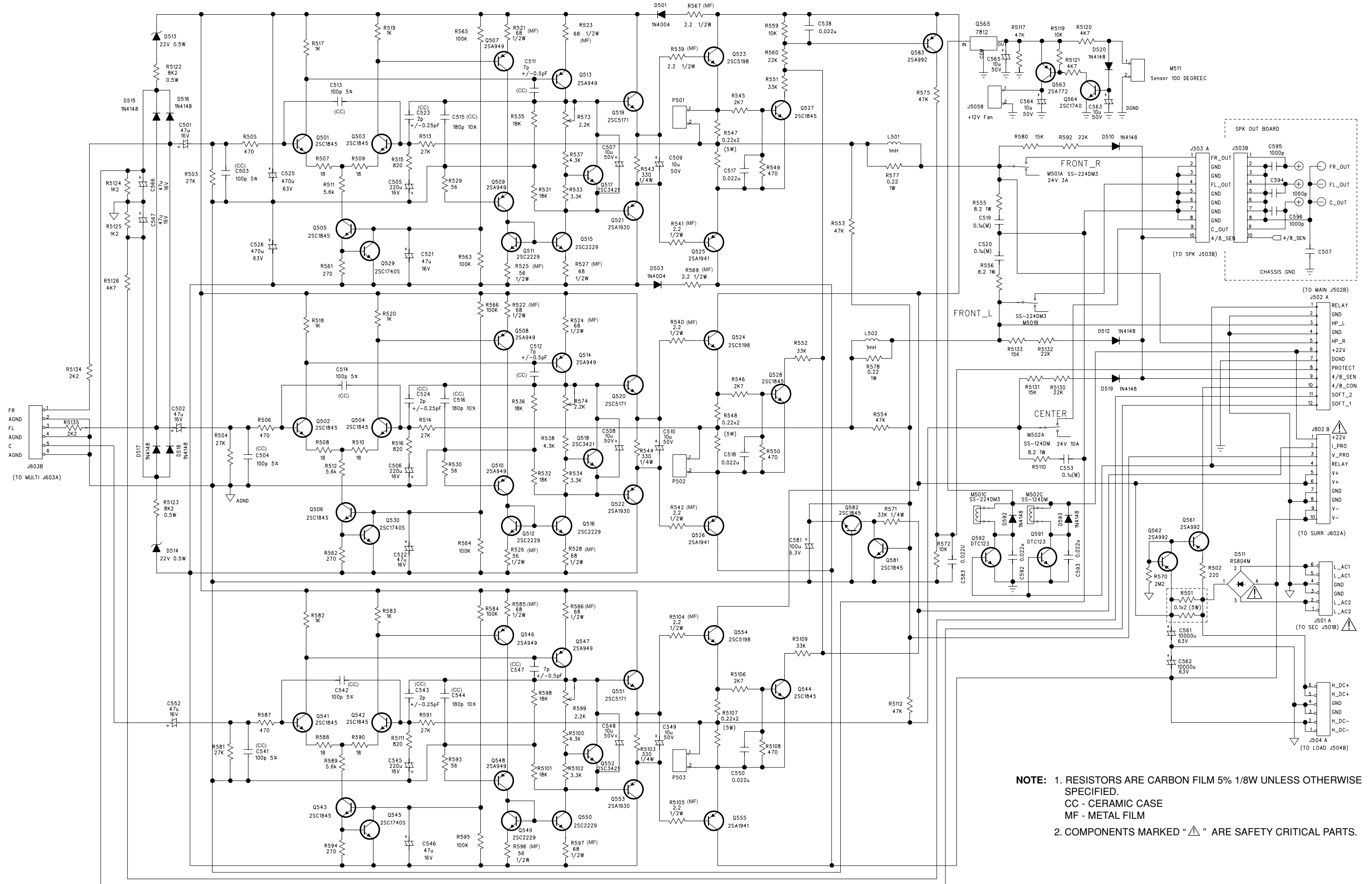


MULTI-CHANNEL



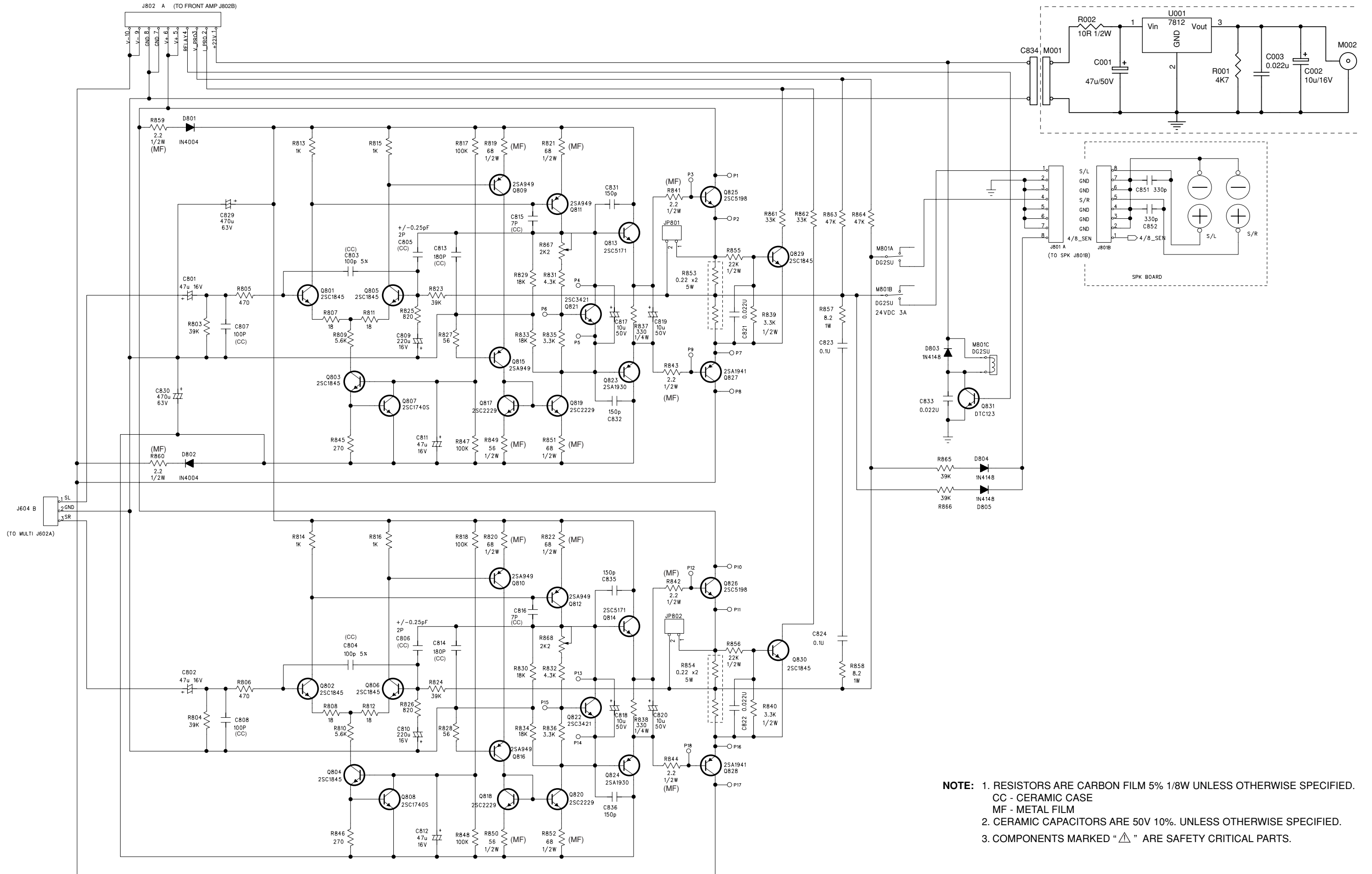
NOTE: 1. RESISTORS ARE CARBON FILM 5% 1/8W UNLESS OTHERWISE SPECIFIED.
 2. CERAMIC CAPACITORS ARE 50V 10%. UNLESS OTHERWISE SPECIFIED.

FRONT AMPLIFIER



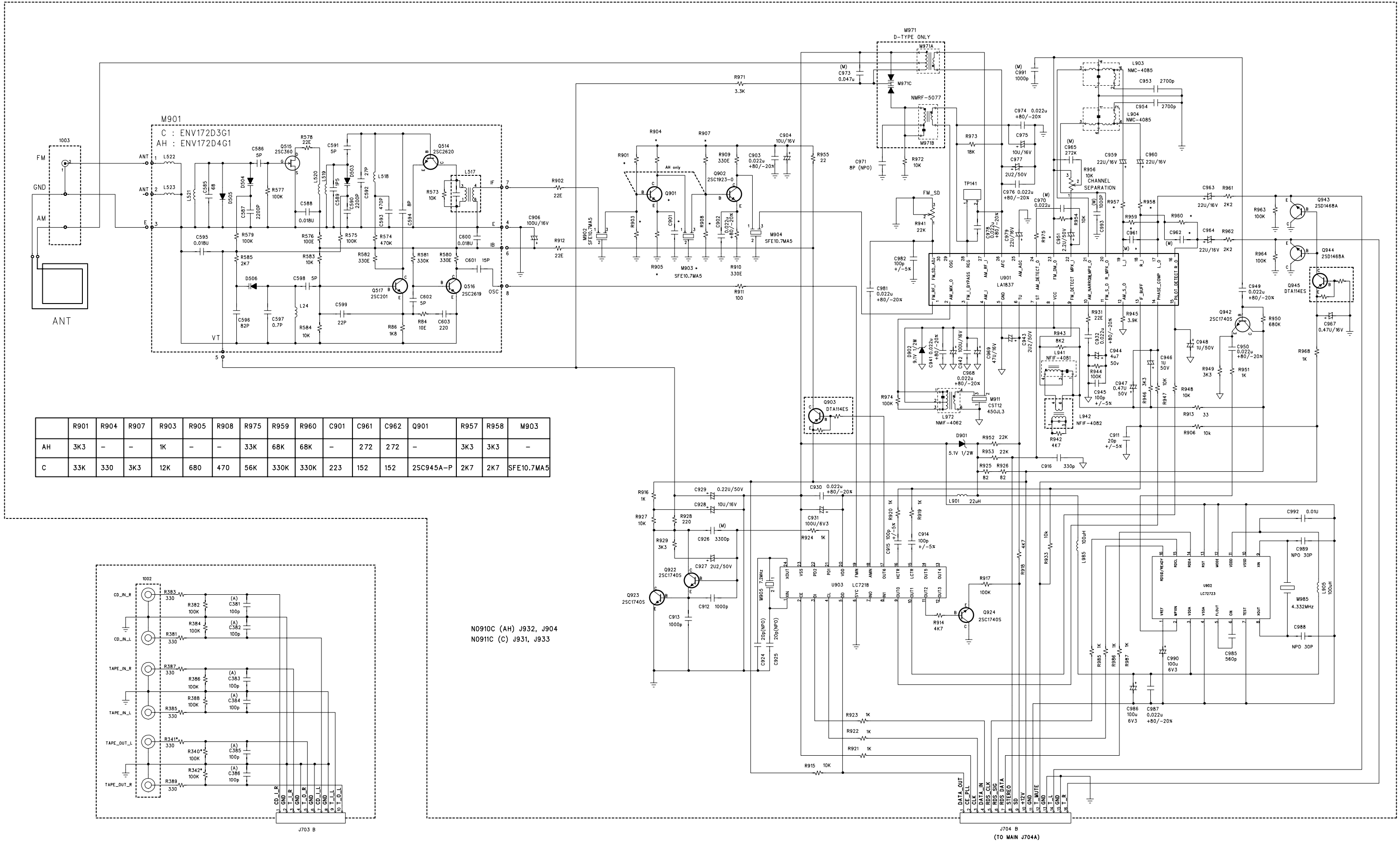
NOTE: 1. RESISTORS ARE CARBON FILM 5% 1/8W UNLESS OTHERWISE SPECIFIED.
 CC - CERAMIC CASE
 MF - METAL FILM
 2. COMPONENTS MARKED "▲" ARE SAFETY CRITICAL PARTS.

SURROUND AMPLIFIER

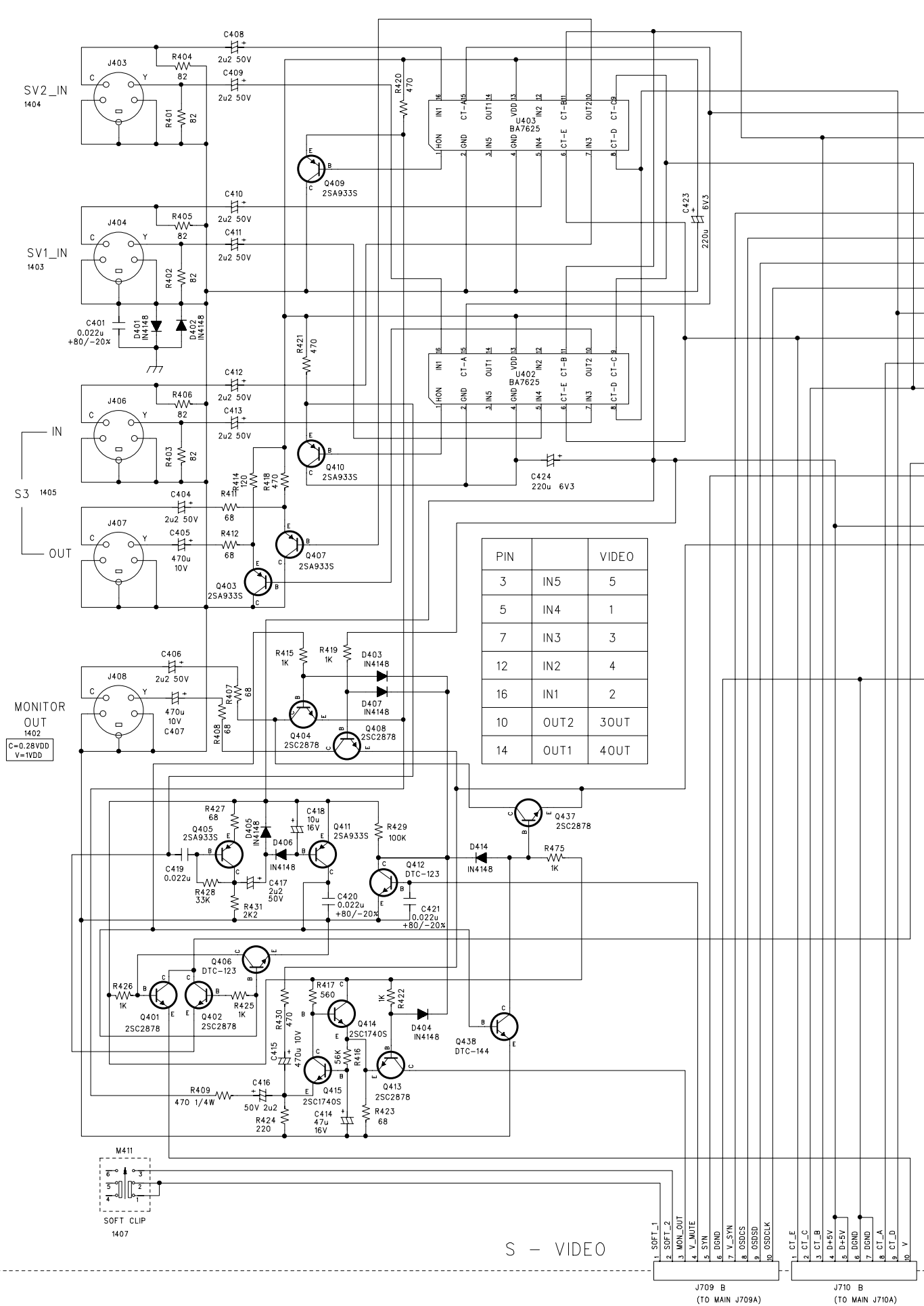


NOTE: 1. RESISTORS ARE CARBON FILM 5% 1/8W UNLESS OTHERWISE SPECIFIED.
 CC - CERAMIC CASE
 MF - METAL FILM
 2. CERAMIC CAPACITORS ARE 50V 10%. UNLESS OTHERWISE SPECIFIED.
 3. COMPONENTS MARKED "△" ARE SAFETY CRITICAL PARTS.

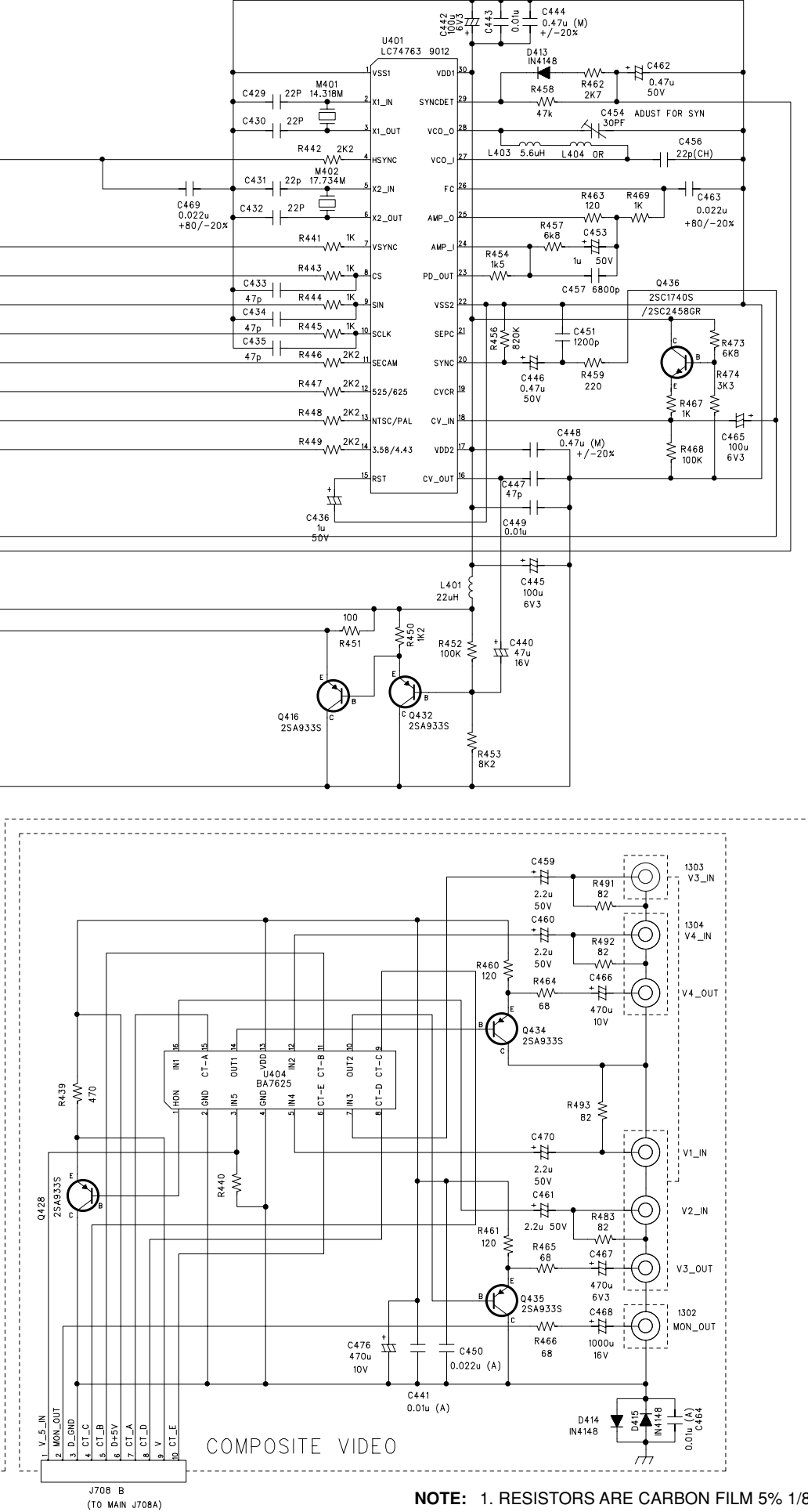
TUNER



S-VIDEO

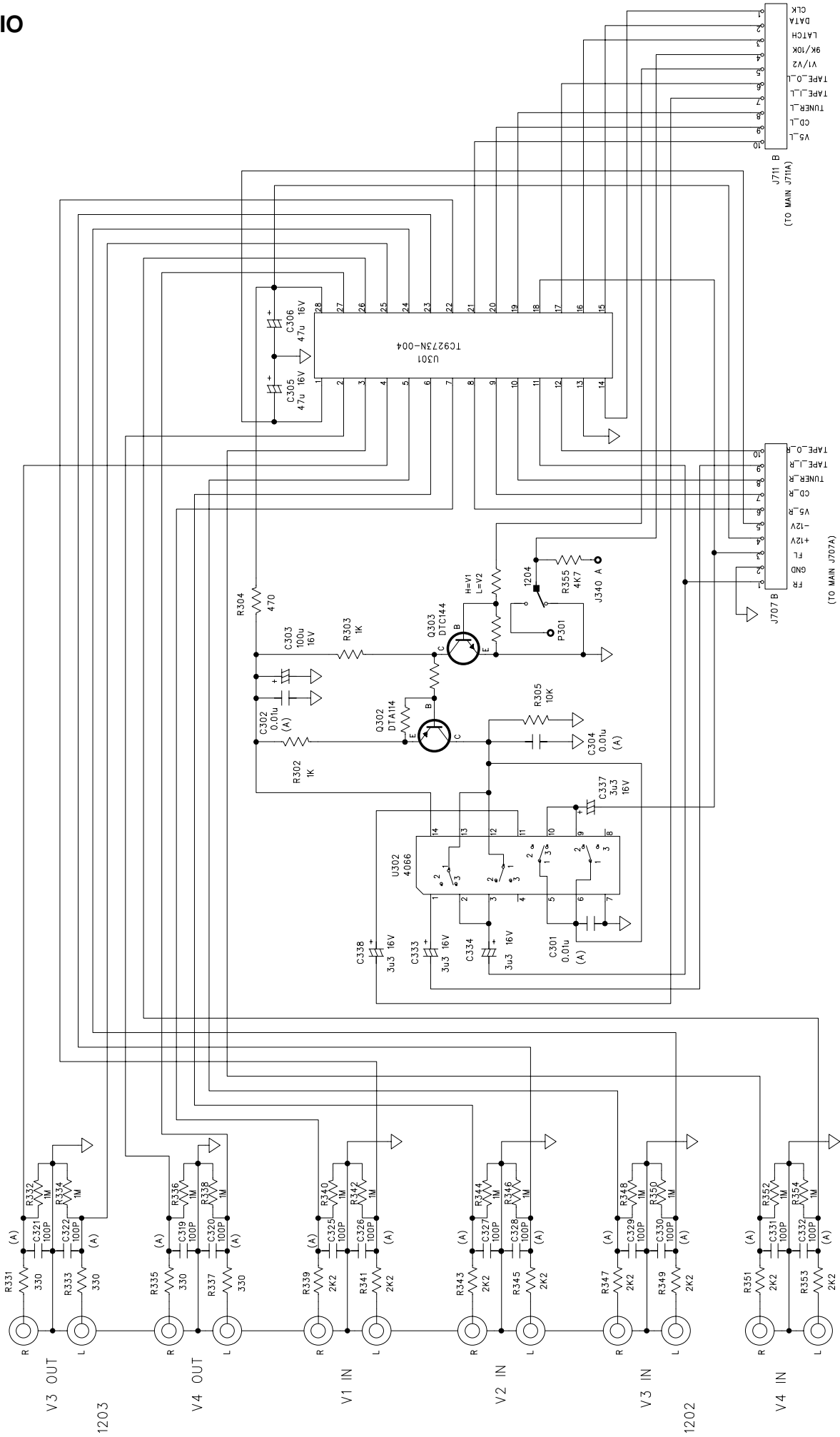


| PIN | VIDEO |
|-----|-----------|
| 3 | IN5 5 |
| 5 | IN4 1 |
| 7 | IN3 3 |
| 12 | IN2 4 |
| 16 | IN1 2 |
| 10 | OUT2 3OUT |
| 14 | OUT1 4OUT |



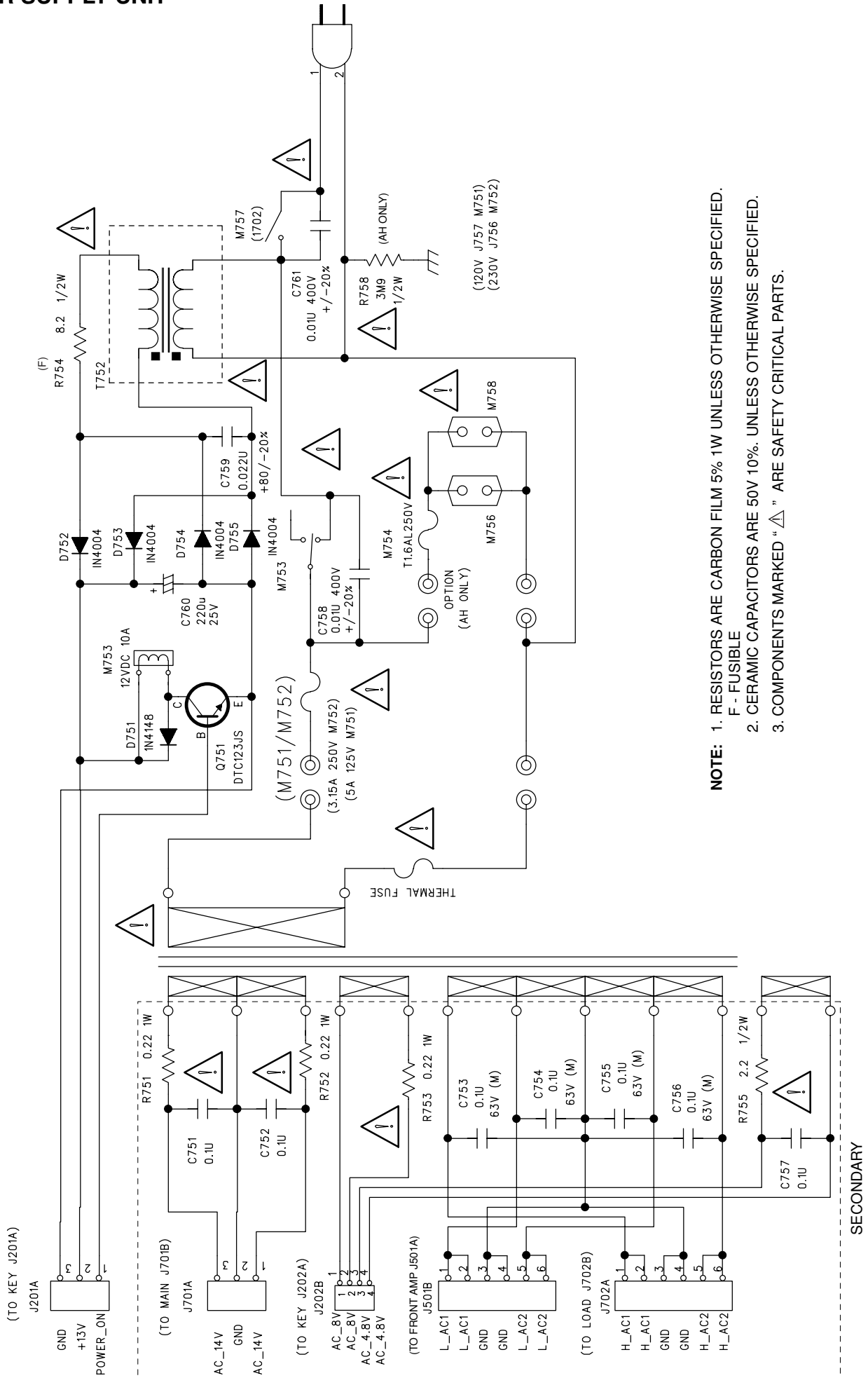
NOTE: 1. RESISTORS ARE CARBON FILM 5% 1/8W UNLESS OTHERWISE SPECIFIED.
2. CERAMIC CAPACITORS ARE 50V 10%. UNLESS OTHERWISE SPECIFIED.

AUDIO



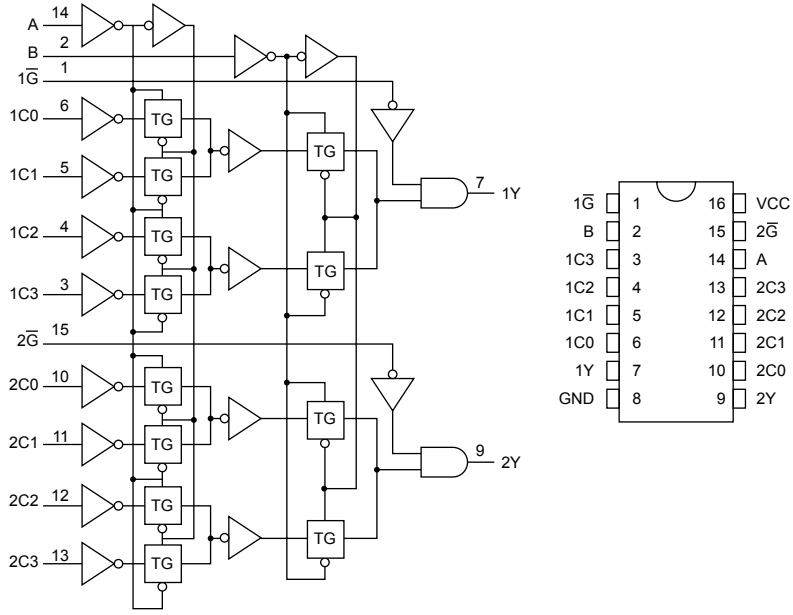
NOTE: 1. RESISTORS ARE CARBON FILM 5% 1/8W UNLESS OTHERWISE SPECIFIED.
 2. CERAMIC CAPACITORS ARE 50V 10%. UNLESS OTHERWISE SPECIFIED.

POWER SUPPLY UNIT

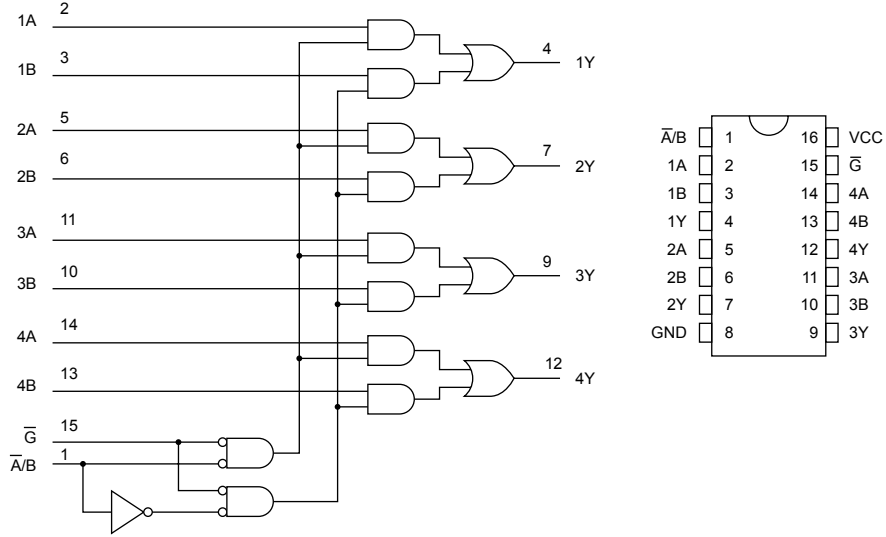


IC BLOCK DIAGRAM

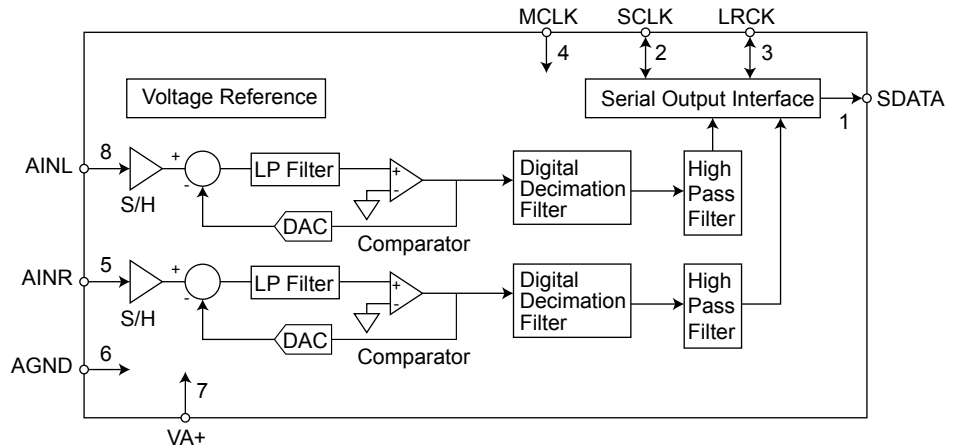
AC3 BOARD
U101: 74HC153



AC3 BOARD
U102: 74HC157

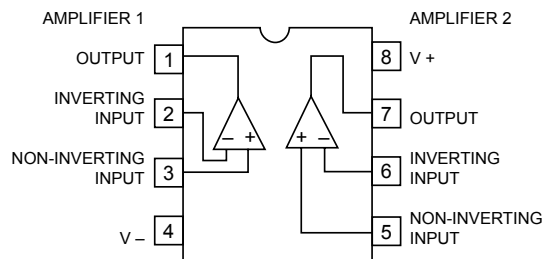


AC3 BOARD
U103: CS5331A



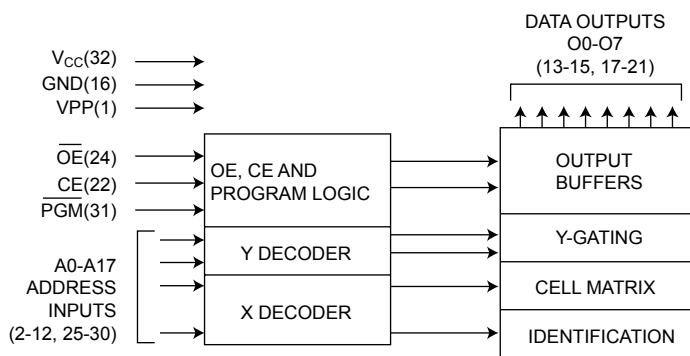
AC3 BOARD

U104, U109, U116,
U131, U134: NJM5532



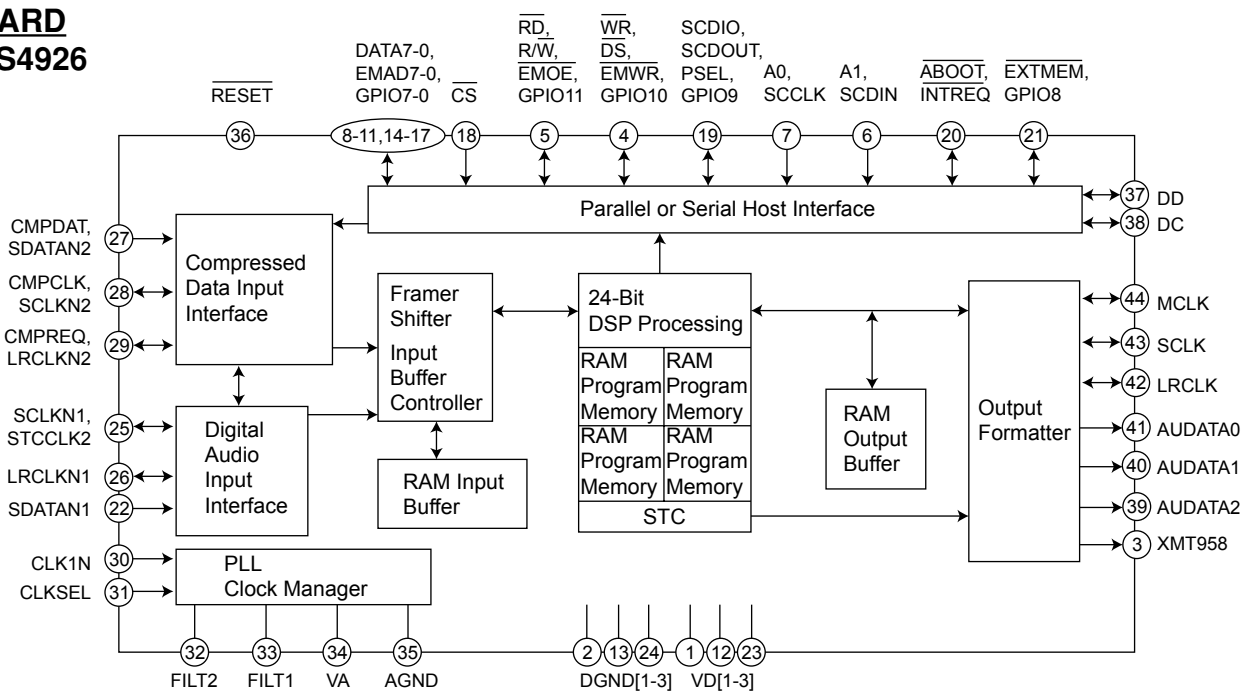
AC3 BOARD

U108: AT27C020-70



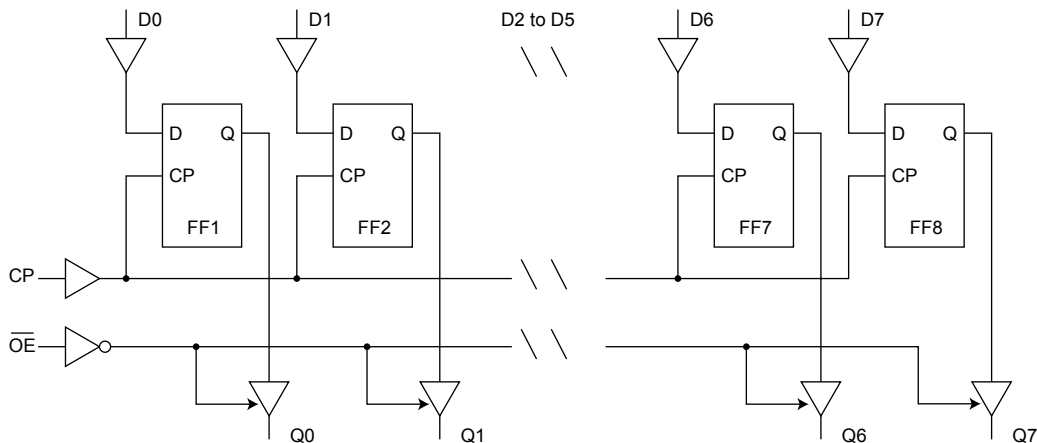
AC3 BOARD

U105: CS4926

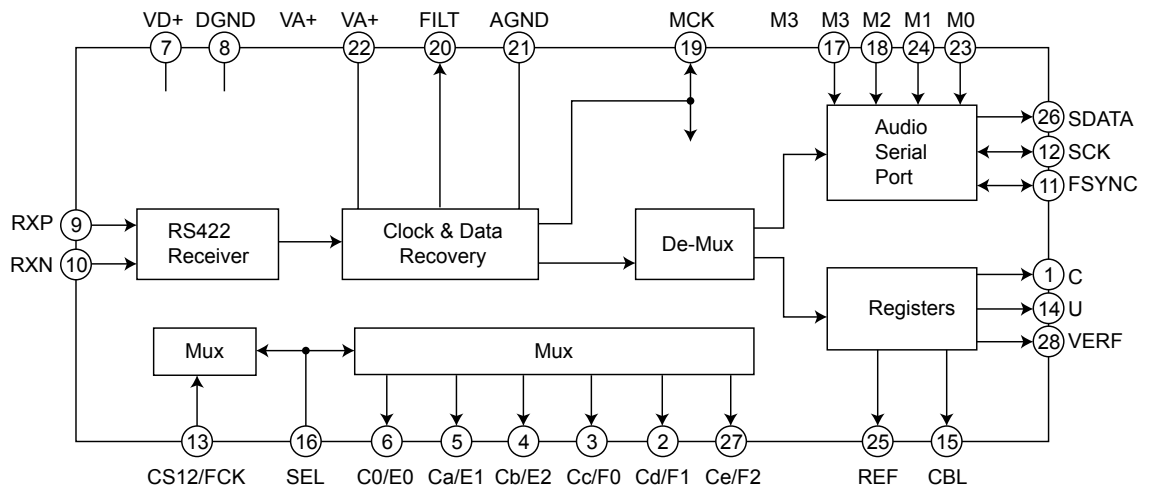


AC3 BOARD

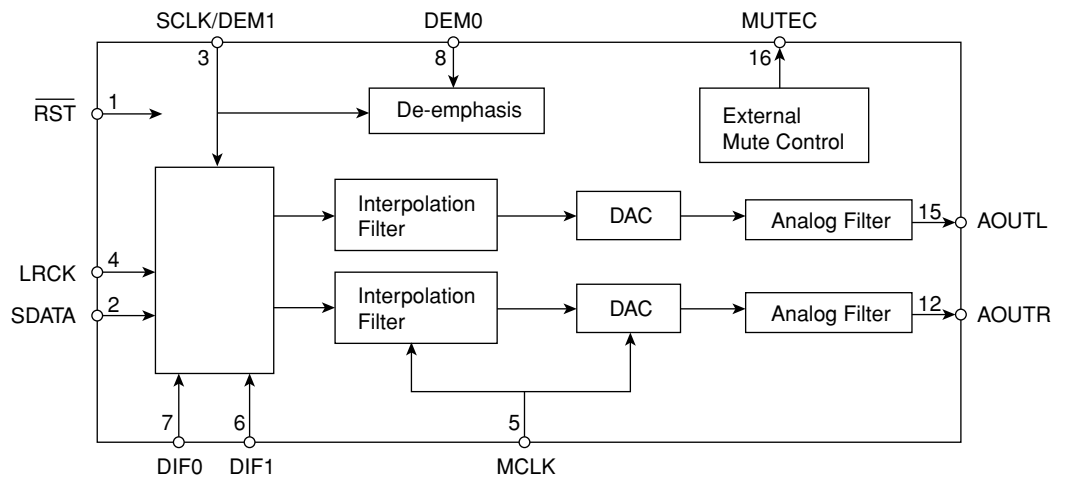
U106, U107: 74HC574



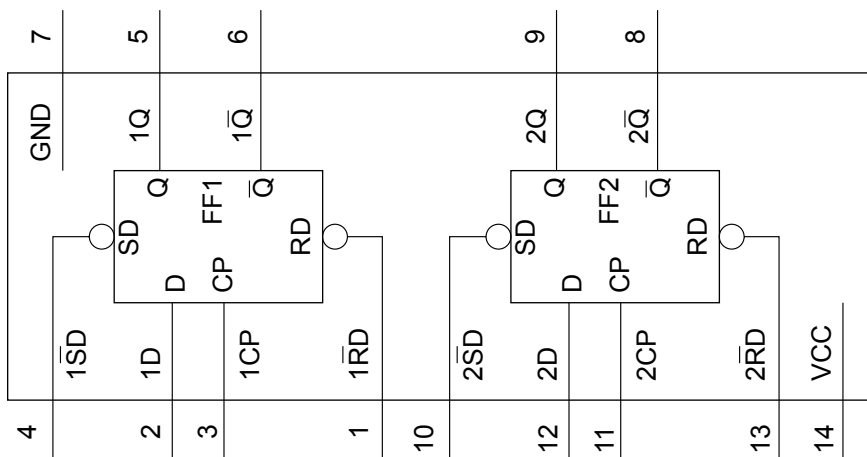
AC3 BOARD
U110: CS8414



AC3 BOARD
U111-U113: CS4340

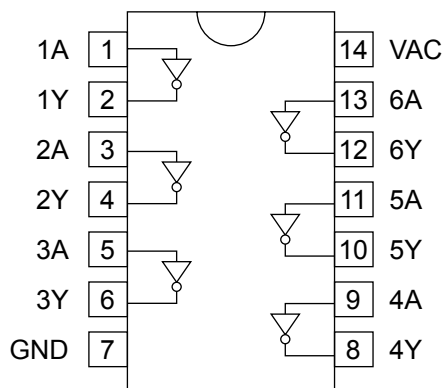


AC3 BOARD
U115,U117, U120: 74HC74



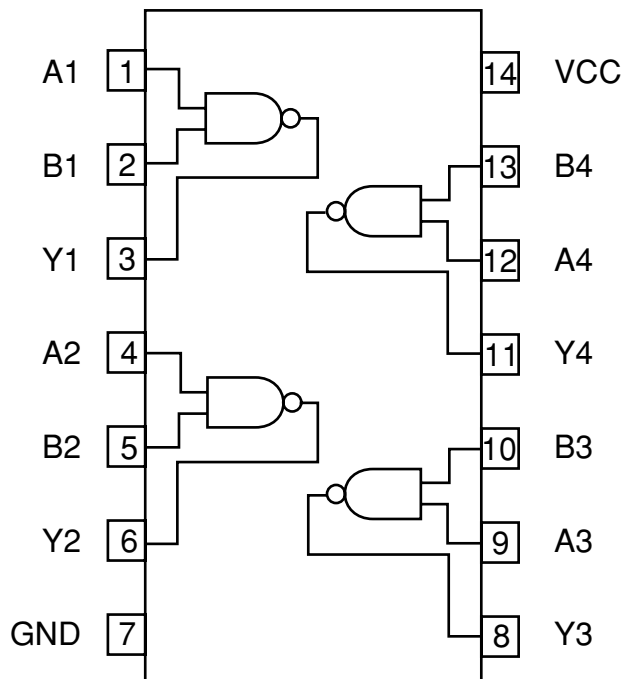
AC3 BOARD

U114: 74HCU04



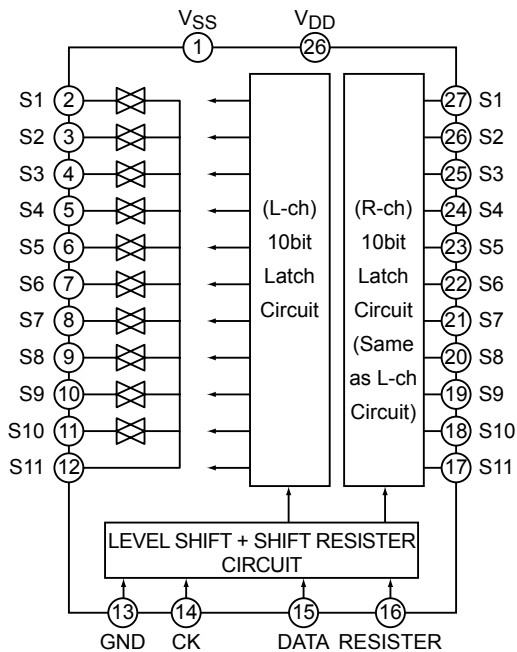
AC3 BOARD

U118-U119: 74HC00



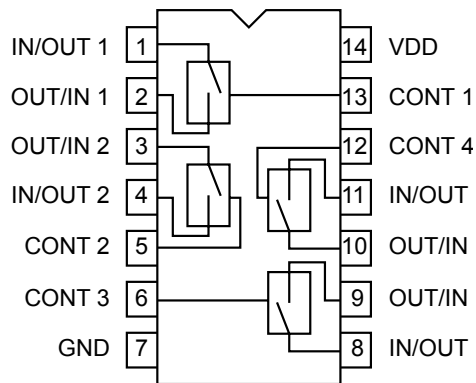
AUDIO BOARD

U301: TC9273N-004



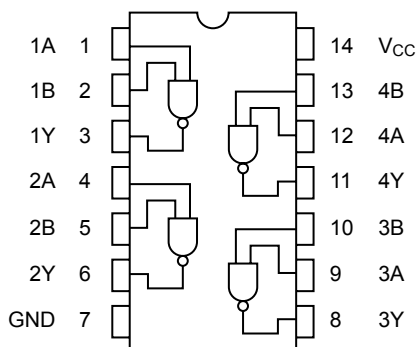
AUDIO BOARD

U302: 4066



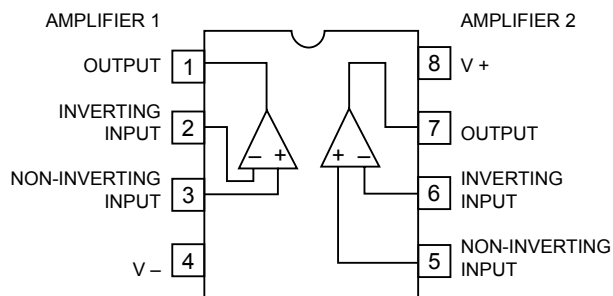
DIGITAL BOARD

U761: 74HCT00



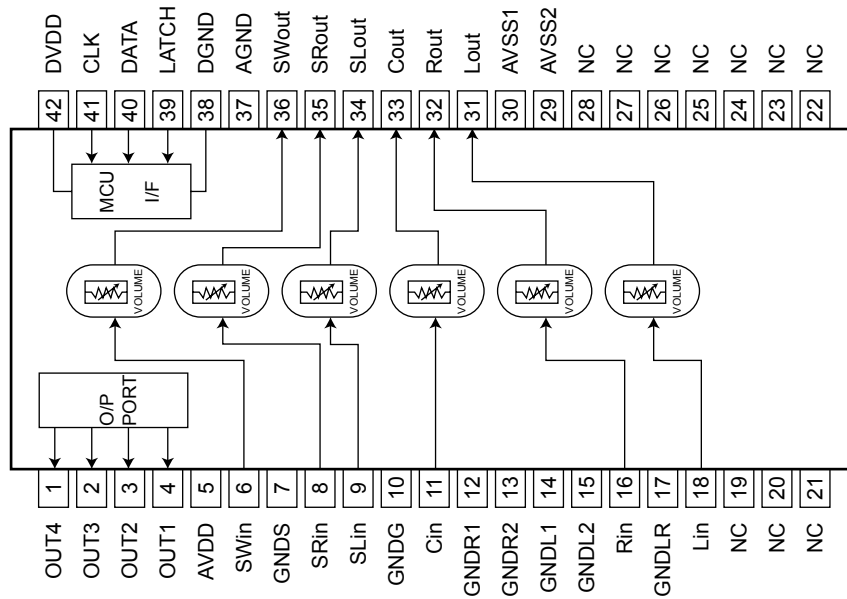
LOAD BOARD

U701: NJM4558D



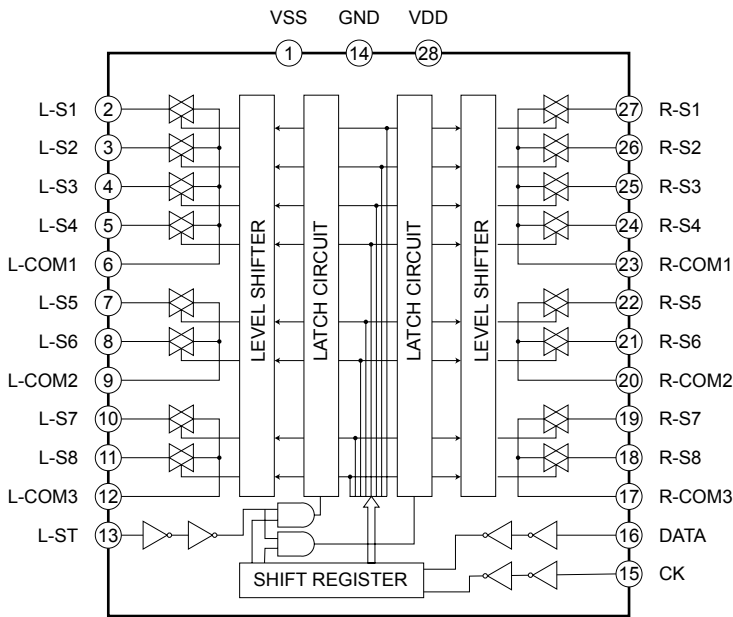
MULTI-CHANNEL BOARD

U601: M62447SP



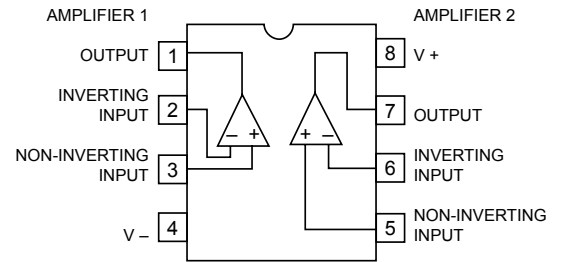
MULTI-CHANNEL BOARD

U602: TC9164AN



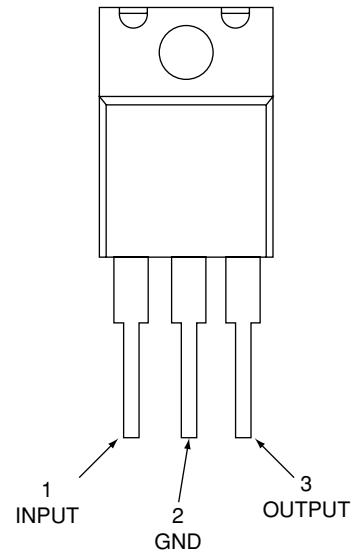
MULTI-CHANNEL BOARD

U605-U611: NJM5532



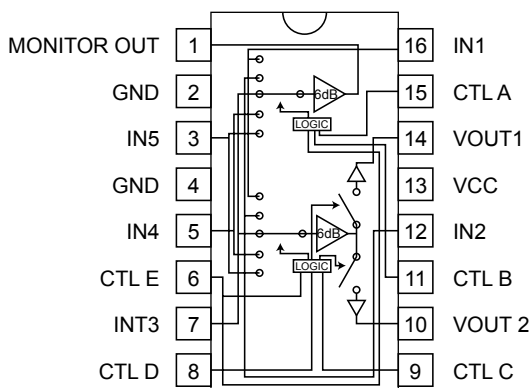
MAIN BOARD

U723: NJM78M56FA



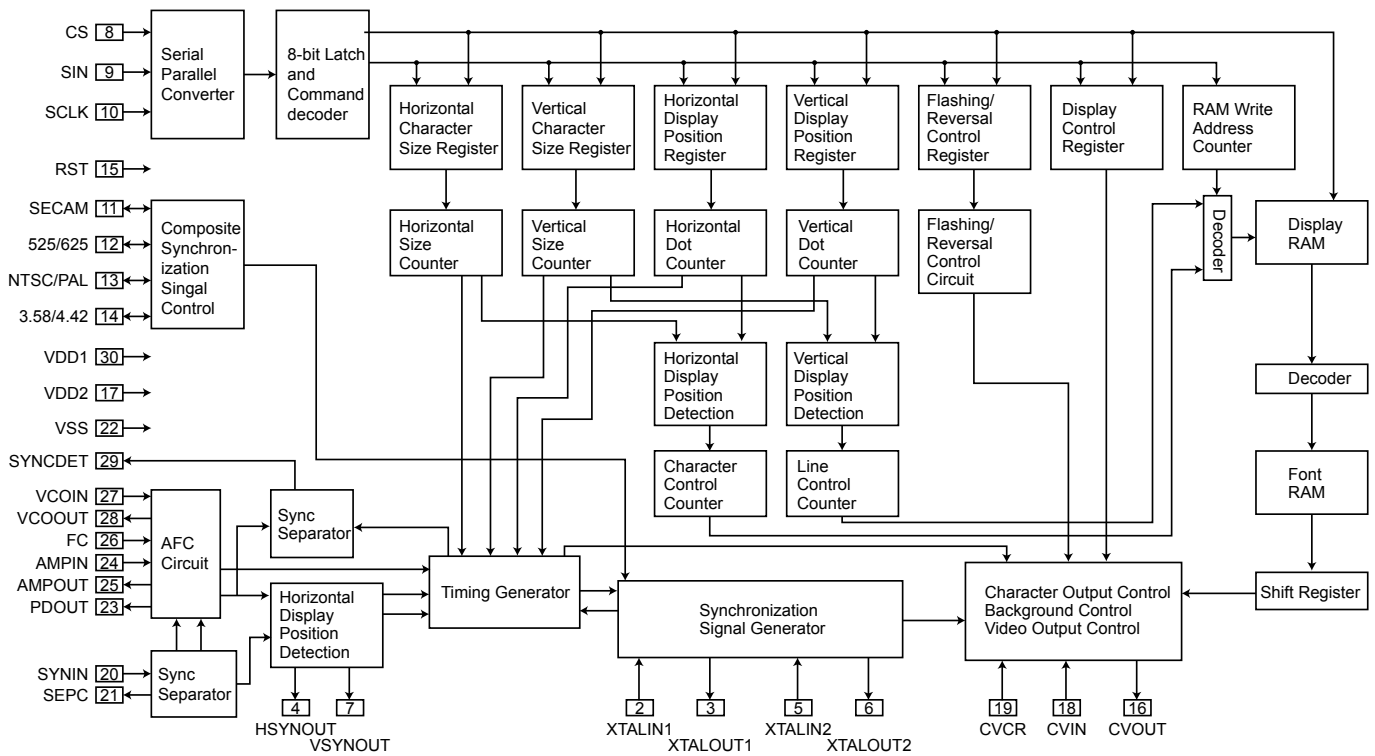
S-VIDEO & VIDEO BOARD

U402-U404: BA7625



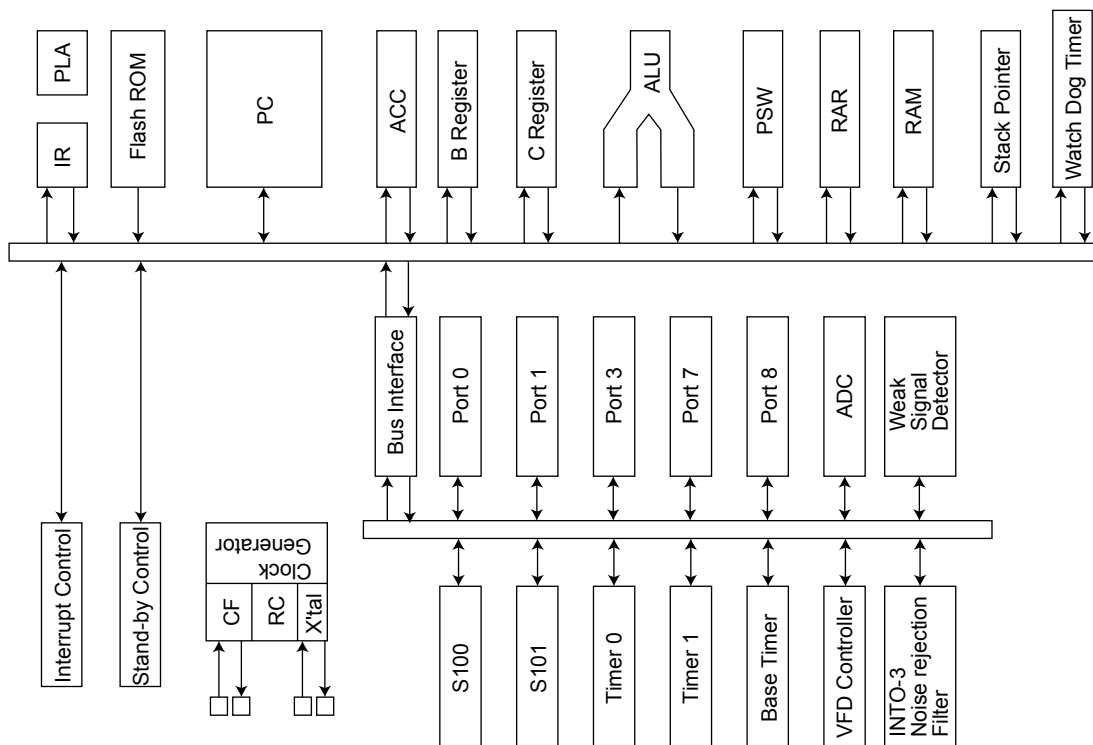
S-VIDEO BOARD

U401: LC74763-9012

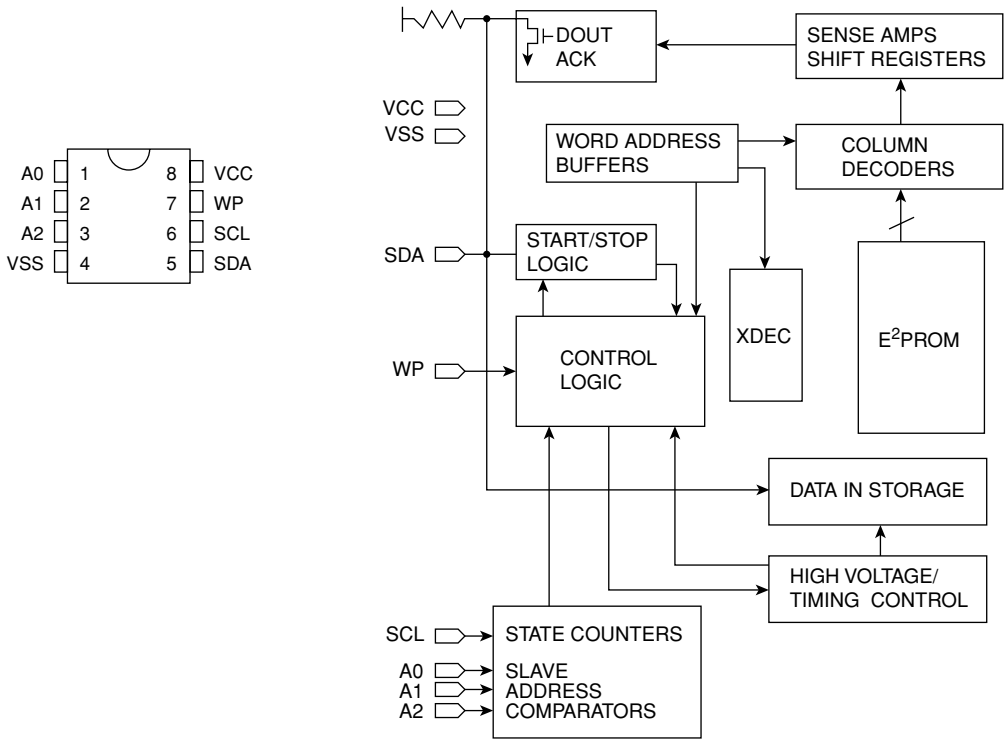


KEY BOARD

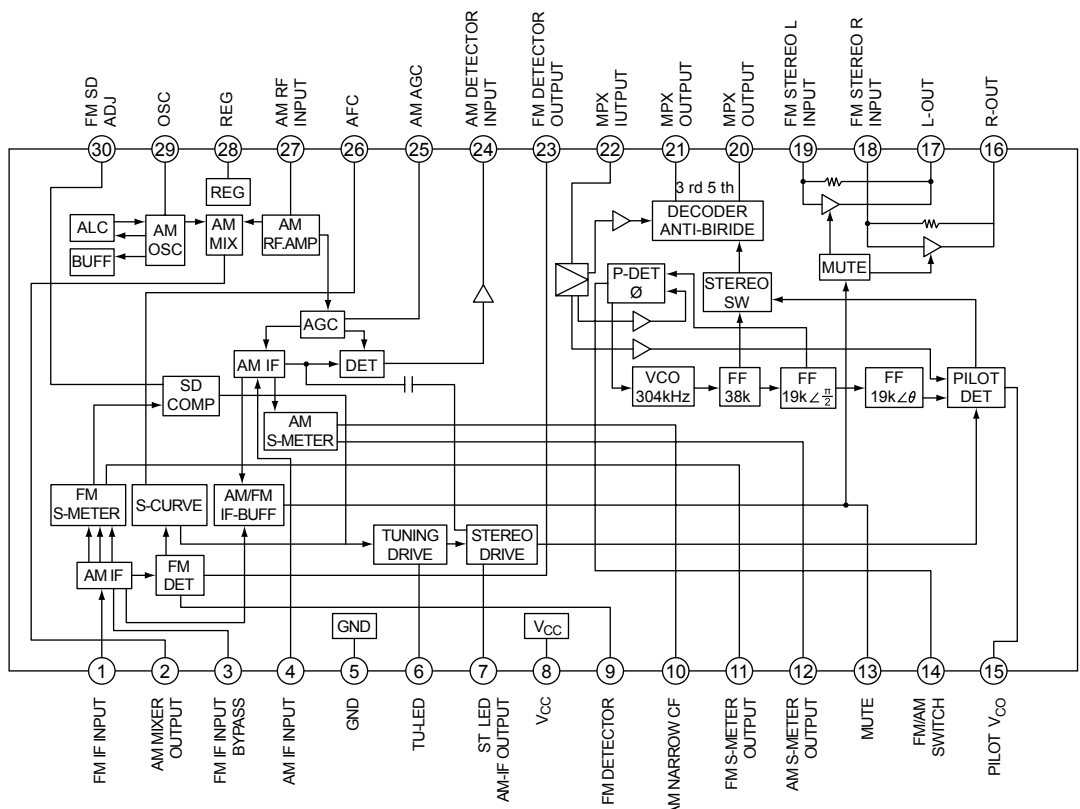
U201: LC87F65C8A



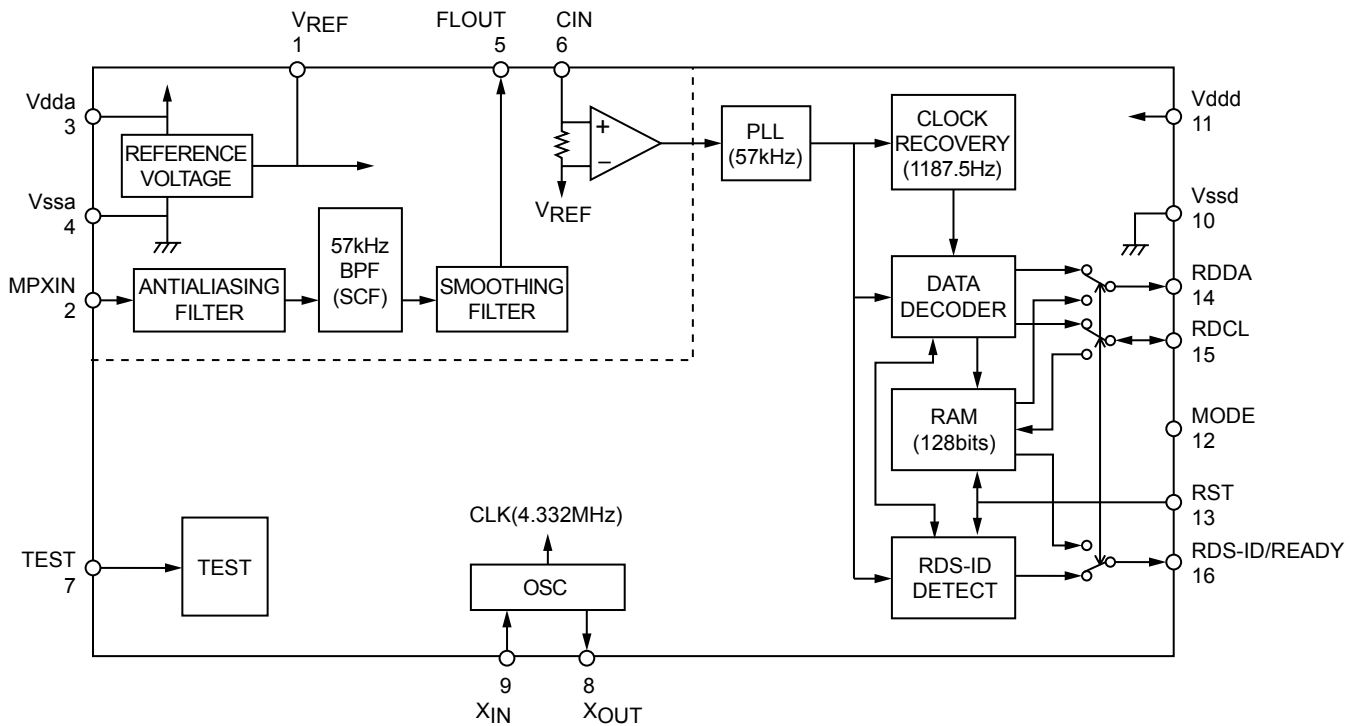
KEY BOARD
U202: EEPROM 24C02



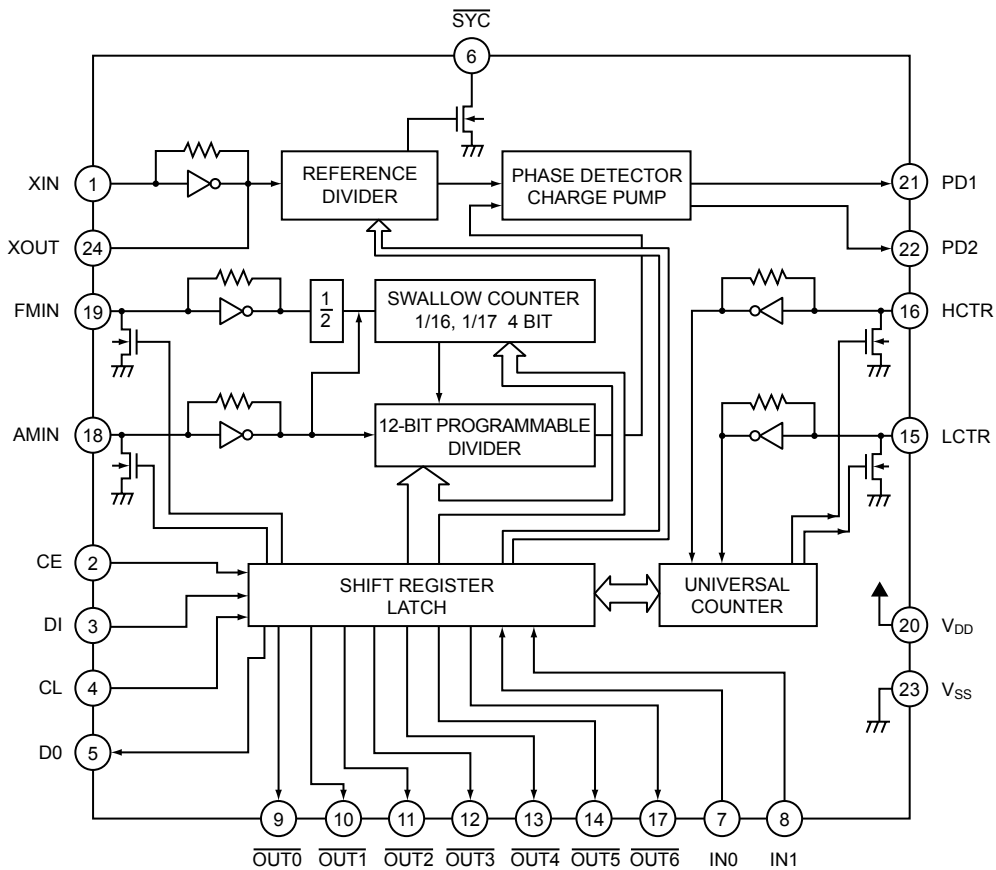
TUNER BOARD
U901: LA1837



TUNER BOARD
U902: LC72723M



TUNER BOARD
U903: LC7218



ELECTRICAL PARTS LIST

| <u>Reference No.</u> | <u>Part No.</u> | <u>Description</u> |
|--|-----------------|---------------------------------------|
| <u>AC3 BOARD ASSEMBLY</u> <u>PC BOARD</u> 2701 | PCB-N0910C-AC3 | PCB ASSY AC3 N091XC |
| <u>CAPACITORS</u> | | |
| C101 | 150F-104K-J-BD | CC 50V 0.1 μ F 10% 0805 1.2x2.0 |
| C102 | 150E-104M-J-BD | CC 25V 0.1 μ F20% 0805 1.2x2.0 |
| C103 | 150F-104K-J-BD | CC 50V 0.1 μ F 10% 0805 1.2x2.0 |
| C104 | 157C-108M-5-S5 | CE 10V 1000 μ F 20% RL 10x16 |
| C105 | 150F-103K-J-BD | CC 50V 0.01 μ F 10% 0805 1.2x2.0 |
| C106 | 150F-104K-J-BD | CC 50V 0.1 μ F 10% 0805 1.2x2.0 |
| C107 | 157D-228M-5-W9 | CE 16V 2200 μ F 20% RL 12x20 |
| C108 | 150F-104K-J-BD | CC 50V 0.1 μ F 10% 0805 1.2x2.0 |
| C114-C115 | 157D-226M-5-GM | CE 16V 22 μ F 20% RL 4x7 |
| C117, C119 | 157D-475M-5-EI | CE 16V 4.7 μ F 20% RL 3x5 |
| C120-C121 | 157D-226M-5-GM | CE 16V 22 μ F 20% RL 4x7 |
| C122-C123 | 150F-562J-J-BD | CC 50V 5600pF 5% 0805 1.2x2.0 |
| C125 | 150E-104M-J-BD | CC 25V 0.1 μ F20% 0805 1.2x2.0 |
| C126 | 157D-227M-5-KW | CE 16V 220 μ F 20% RL 6x12 |
| C127 | 150E-104M-J-BD | CC 25V 0.1 μ F20% 0805 1.2x2.0 |
| C128 | 157D-106M-5-GM | CE 16V 10 μ F 20% RL 4x7 |
| C129 | 150E-104M-J-BD | CC 25V 0.1 μ F20% 0805 1.2x2.0 |
| C130 | 157E-105M-5-EI | CE 25V 1 μ F 20% RL 3x5 |
| C132, C134 | 157D-475M-5-EI | CE 16V 4.7 μ F 20% RL 3x5 |
| C135-C136 | 150F-562J-J-BD | CC 50V 5600pF 5% 0805 1.2x2.0 |
| C138 | 150E-104M-J-BD | CC 25V 0.1 μ F20% 0805 1.2x2.0 |
| C139 | 157D-227M-5-KW | CE 16V 220 μ F 20% RL 6x12 |
| C140 | 150E-104M-J-BD | CC 25V 0.1 μ F20% 0805 1.2x2.0 |
| C141 | 157D-106M-5-GM | CE 16V 10 μ F 20% RL 4x7 |
| C142 | 150E-104M-J-BD | CC 25V 0.1 μ F20% 0805 1.2x2.0 |
| C143 | 157E-105M-5-EI | CE 25V 1 μ F 20% RL 3x5 |
| C145, C147 | 157D-475M-5-EI | CE 16V 4.7 μ F 20% RL 3x5 |
| C148 | 150F-562J-J-BD | CC 50V 5600pF 5% 0805 1.2x2.0 |
| C149 | 150F-103K-J-BD | CC 50V 0.01 μ F 10% 0805 1.2x2.0 |
| C150-C151 | 150F-104K-J-BD | CC 50V 0.1 μ F 10% 0805 1.2x2.0 |
| C152 | 150F-103K-J-BD | CC 50V 0.01 μ F 10% 0805 1.2x2.0 |
| C153 | 157D-106M-5-GM | CE 16V 10 μ F 20% RL 4x7 |
| C154 | 150F-104K-J-BD | CC 50V 0.1 μ F 10% 0805 1.2x2.0 |
| C156 | 150F-683K-J-BD | CC 50V 0.068 μ F 10% 0805 1.5x2.5 |
| C157 | 150F-104K-J-BD | CC 50V 0.1 μ F 10% 0805 1.2x2.0 |
| C158 | 157D-476M-5-IU | CE 16V 47 μ F 20% RL 5x11 |
| C159 | 150F-104K-J-BD | CC 50V 0.1 μ F 10% 0805 1.2x2.0 |
| C161-C162 | 15FD-105Z-J-BD | CC 16V 1 μ F +80-20% 0805 |
| C163-C164 | 150F-103K-J-BD | CC 50V 0.01 μ F 10% 0805 1.2x2.0 |
| C165 | 157D-225M-5-GM | CE 16V 2.2 μ F 20% RL 4x7 |
| C166-C167 | 150F-104K-J-BD | CC 50V 0.1 μ F 10% 0805 1.2x2.0 |
| C168 | 157D-106M-5-GM | CE 16V 10 μ F 20% RL 4x7 |
| C169 | 150F-104K-J-BD | CC 50V 0.1 μ F 10% 0805 1.2x2.0 |
| C171 | 15FF-224Z-J-BD | CC 50V 0.22 μ F +80/-20% 0805 |
| C172 | 153F-225J-5-TOM | CM 50V 2.2 μ F RL 10x8 METALLIZED |
| C173 | 157C-107M-5-IU | CE 10V 100 μ F 20% RL 5x11 |
| C174 | 157D-106M-5-GM | CE 16V 10 μ F 20% RL 4x7 |
| C175 | 150F-104K-J-BD | CC 50V 0.1 μ F 10% 0805 1.2x2.0 |

| Reference No. | Part No. | Description |
|--------------------------|-----------------|---|
| C176 | 157C-107M-5-IU | CE 10V 100µF 20% RL 5x11 |
| C179-C180, C183-C184 | 150F-104K-J-BD | CC 50V 0.1µF 10% 0805 1.2x2.0 |
| C193-C194, C198 | 150F-104K-J-BD | CC 50V 0.1µF 10% 0805 1.2x2.0 |
| C199 | 157D-106M-5-GM | CE 16V 10µF 20% RL 4x7 |
| C1101 | 157D-475M-5-EI | CE 16V 4.7µF 20% RL 3x5 |
| C1102 | 15FF-224Z-J-BD | CC 50V 0.22µF +80/-20% 0805 |
| C1104 | 157D-475M-5-EI | CE 16V 4.7µF 20% RL 3x5 |
| C1105 | 15FF-224Z-J-BD | CC 50V 0.22µF +80/-20% 0805 |
| C1106-C1107 | 157D-226M-5-GM | CE 16V 22µF 20% RL 4x7 |
| C1112-C1114 | 150F-104K-J-BD | CC 50V 0.1µF 10% 0805 1.2x2.0 |
| C1115 | 157D-106M-5-GM | CE 16V 10µF 20% RL 4x7 |
| C1116 | 157E-105M-5-EI | CE 25V 1µF 20% RL 3x5 |
| C1117 | 157D-475M-5-EI | CE 16V 4.7µF 20% RL 3x5 |
| C1118 | 157D-227M-5-KW | CE 16V 220µF 20% RL 6x12 |
| C1119-C1121 | 157D-475M-5-EI | CE 16V 4.7µF 20% RL 3x5 |
| C1122-C1123, C1131-C1134 | 150F-104K-J-BD | CC 50V 0.1µF 10% 0805 1.2x2.0 |
| C1135 | 150F-100J-J-BD | CC 50V 10pF 5% 0805 1.2x2.0 |
| C1136-C1137 | 150F-104K-J-BD | CC 50V 0.1µF 10% 0805 1.2x2.0 |
| DIODE | | |
| D101 | 4840-0490-0 | BRIDGE RECTIFIER RB152 100V 1.5A |
| WAFER | | |
| J101A | 2102-101S-004 | WAFER 10P P2.5 ST.(COULOMB) |
| CONNECTORS | | |
| J203B | 2101-1581-0 | FLEXIBLE CONN. 35P P1.25 SIDE ENTRY |
| J601B | 2102-121S-004 | 12P ST.WAFER P=2.5 COULOMB |
| J604B | 2102-031S-004 | 3 PIN ST. WAFER P=2.5 COULOMB |
| COILS | | |
| L101-L104 | 1801-100K-M | COIL 10µH 10% BL7.0 |
| CRYSTAL | | |
| M101 | 2300-3060-0 | X'TAL 12.288MHZ +/-20PPM HCMOS/TTL OSCILLATOR |
| TRANSISTOR | | |
| Q101 | 485C-114E-5 | TR DTC114ES |
| RESISTORS | | |
| R101-R103 | 4720-103J-J | RMG 1/10W 10K 5% 0805 |
| R104 | 4720-680J-J | RMG 1/10W 68R 5% 0805 |
| R105-R109 | 4720-103J-J | RMG 1/10W 10K 5% 0805 |
| R110 | 4707-103C-5-8 | RCFA 1/2W 10K 2% RL 8 9P SIP 4609x-101-103 |
| R111-R112 | 4720-103J-J | RMG 1/10W 10K 5% 0805 |
| R113 | 4720-473J-J | RMG 1/10W 47K 5% 0805 |
| R114 | 4720-821J-J | RMG 1/10W 820R 5% 0805 |
| R115 | 4720-750J-J | RMG 1/10W 75R 5% 0805 |
| R116 | 4720-473J-J | RMG 1/10W 47K 5% 0805 |
| R117 | 4720-821J-J | RMG 1/10W 820R 5% 0805 |
| R118 | 4720-750J-J | RMG 1/10W 75R 5% 0805 |
| R119 | 4720-000J-J | RMG 1/10W 0R 5% 0805 |
| R122 | 4720-151J-J | RMG 1/10W 150R 5% 0805 |
| R123 | 4720-103J-J | RMG 1/10W 10K 5% 0805 |
| R125 | 4720-151J-J | RMG 1/10W 150R 5% 0805 |
| R126 | 4720-103J-J | RMG 1/10W 10K 5% 0805 |
| R127 | 4720-104J-J | RMG 1/10W 100K 5% 0805 |
| R129 | 4720-000J-J | RMG 1/10W 0R 5% 0805 |

| <u>Reference No.</u> | <u>Part No.</u> | <u>Description</u> |
|-------------------------------|-----------------|--|
| R130 | 4720-151J-J | RMG 1/10W 150R 5% 0805 |
| R131 | 4720-103J-J | RMG 1/10W 10K 5% 0805 |
| R133 | 4720-151J-J | RMG 1/10W 150R 5% 0805 |
| R134 | 4720-103J-J | RMG 1/10W 10K 5% 0805 |
| R135-R136 | 4720-102J-J | RMG 1/10W 1K 5% 0805 |
| R137 | 4720-151J-J | RMG 1/10W 150R 5% 0805 |
| R138 | 4720-103J-J | RMG 1/10W 10K 5% 0805 |
| R139 | 4720-102J-J | RMG 1/10W 1K 5% 0805 |
| R140 | 4720-101J-J | RMG 1/10W 100R 5% 0805 |
| R150 | 4720-151J-J | RMG 1/10W 150R 5% 0805 |
| R155 | 4720-153J-J | RMG 1/10W 15K 5% 0805 |
| R156-R157 | 4720-103J-J | RMG 1/10W 10K 5% 0805 |
| R158 | 4720-151J-J | RMG 1/10W 150R 5% 0805 |
| R159 | 4720-153J-J | RMG 1/10W 15K 5% 0805 |
| R160-R161 | 4720-103J-J | RMG 1/10W 10K 5% 0805 |
| R162 | 4720-151J-J | RMG 1/10W 150R 5% 0805 |
| R163-R164 | 4720-223J-J | RMG 1/10W 22K 5% 0805 |
| R165 | 4720-121J-J | RMG 1/10W 120R 5% 0805 |
| R166 | 4720-201J-J | RMG 1/10W 200R 5% 0805 |
| R167-R168 | 4720-103J-J | RMG 1/10W 10K 5% 0805 |
| R169 | 4720-102J-J | RMG 1/10W 1K 5% 0805 |
| R171 | 4720-103J-J | RMG 1/10W 10K 5% 0805 |
| R172 | 4720-471J-J | RMG 1/10W 470R 5% 0805 |
| R173 | 4720-103J-J | RMG 1/10W 10K 5% 0805 |
| R181 | 4720-000J-J | RMG 1/10W 0R 5% 0805 |
| R184-R185 | 4720-104J-J | RMG 1/10W 100K 5% 0805 |
| R186, R189 | 4720-000J-J | RMG 1/10W 0R 5% 0805 |
| R190-R192 | 4720-104J-J | RMG 1/10W 100K 5% 0805 |
| R193 | 4720-000J-J | RMG 1/10W 0R 5% 0805 |
| R194 | 4720-335J-J | RMG 1/10W 3.3M 5% 0805 |
| ICs | | |
| U101 | 3131-3980-0 | IC 74HC153 QUAD 4-INPUT MUX SOP16 |
| U102 | 3131-3870-0 | IC 74HC157 QUAD 2-INPUT MUX SO16 |
| U103 | 3131-3700-0 | IC CS5331A 18BIT A/D CONVERTER CRYSTAL |
| U104 | 3130-9560-0 | NJM5532 IC 'DIP8' ELE-IC029 |
| U105 | 3131-3720-0 | IC CS4926 DSP CRYSTAL |
| U106-U107 | 3130-8980-0 | IC 74HC574 8x D-TYPE LATCHES |
| U108 | 3131-9320-0 | IC AT27C020-70 256Kx8 OTP |
| U109 | 3130-9560-0 | NJM5532 IC 'DIP8' ELE-IC029 |
| U110 | 3130-8890-0 | IC CS8414 DIR 96KHZ 24BIT |
| U111-U113 | 3131-3710-0 | IC CS4340 D/A CONVERTER CRYSTAL |
| U114 | 3131-9100-0 | IC 74HCU04 HEX INVERTERS (SOP) |
| U115 | 3130-6590-0 | IC 74HC74 DUAL D-TYPE FLIP-FLOP |
| U116 | 3130-9560-0 | NJM5532 IC 'DIP8' ELE-IC029 |
| U117 | 3130-6590-0 | IC 74HC74 DUAL D-TYPE FLIP-FLOP |
| U118, U119 | 3131-9050-0 | IC 74HC00 QUAD 2I/P NAND GATE SOP |
| U120 | 3130-6590-0 | IC 74HC74 DUAL D-TYPE FLIP-FLOP |
| U121 | 3130-5610-0 | IC LM317T+ADJ REGULATOR |
| U123, U125 | 3130-2020-2 | IC 7805 REG 5V |
| U131, U134 | 3130-9560-0 | NJM5532 IC 'DIP8' ELE-IC029 |
| <u>FRONT AMP BOARD</u> | | |
| <u>ASSEMBLY</u> | | |
| <u>PC BOARD</u> | | |
| 2401 | PCB-N0910C-AMP1 | PCB ASSY POWER AMP L/R/C N091XC |
| <u>CAPACITORS</u> | | |
| C501-C502 | 157D-476M-5-IM | CE 16V 47µF 20% RL 5x7 |

| Reference No. | Part No. | Description |
|------------------------|-----------------|--|
| C503-C504 | 150F-101J-5-IF | CC 50V 100pF 5% RL 5x3.5 |
| C505-C506 | 157D-227M-5-KW | CE 16V 220μF 20% RL 6x12 |
| C507-C510 | 157F-106M-5-IU | CE 50V 10μF 20% RL 5x11 |
| C511-C512 | 150F-070D-5-GG | CC 50V 7pF 0.5pF RL 4x4 |
| C513-C514 | 150F-101J-5-IF | CC 50V 100pF 5% RL 5x3.5 |
| C515-C516 | 150F-181K-5-GG | CC 50V 180pF 10% RL 4x4 |
| C517-C518 | 150F-223Z-5-UG | CC 50V 0.022μF +80/-20% RL 11x4 |
| C519-C520 | 153F-104J-5-QUN | CM 50V 0.1μF RL (9x11) POLYESTER |
| C521-C522 | 157D-476M-5-IU | CE 16V 47μF 20% RL 5x11 |
| C523-C524 | 15CH-020C-5-GG | CTC 0/60 2pF 0.25pF RL 4x4 |
| C525-C526 | 157I-477M-5-x& | CE 63V 470μF 20% RL 12.5x25 |
| C538 | 150F-223Z-5-UG | CC 50V 0.022μF +80/-20% RL 11x4 |
| C541-C542 | 150F-101J-5-IF | CC 50V 100pF 5% RL 5x3.5 |
| C543 | 15CH-020C-5-GG | CTC 0/60 2pF 0.25pF RL 4x4 |
| C544 | 150F-181K-5-GG | CC 50V 180pF 10% RL 4x4 |
| C545 | 157D-227M-5-KW | CE 16V 220μF 20% RL 6x12 |
| C546 | 157D-476M-5-IU | CE 16V 47μF 20% RL 5x11 |
| C547 | 150F-070D-5-GG | CC 50V 7pF 0.5pF RL 4x4 |
| C548-C549 | 157F-106M-5-IU | CE 50V 10μF 20% RL 5x11 |
| C550 | 150F-223Z-5-UG | CC 50V 0.022μF +80/-20% RL 11x4 |
| C552 | 157D-476M-5-IU | CE 16V 47μF 20% RL 5x11 |
| C553 | 153F-104J-5-QUN | CM 50V 0.1μF RL (9x11) POLYESTER |
| C561-C562 | 8910-0078-0 | CE 63V 10000μF 20% RL 35x40 |
| C563-C565 | 157F-106M-5-GM | CE 50V 10μF 20% RL 4x7 |
| C566-C567 | 157D-476M-5-IU | CE 16V 47μF 20% RL 5x11 |
| C581 | 157B-107M-5-KM | CE 6.3V 100μF 20% RL 6x7 |
| C583, C592-C593 | 150F-223Z-5-UG | CC 50V 0.022μF +80/-20% RL 11x4 |
| DIODES | | |
| D501, D503 | 4804-0040-1 | DIODE 1N4004 AL |
| D510 | 4804-1480-C | DIODE 1N4148 ATS |
| D511 | 4840-7060-0 | DIODE BRIDGE RS804M |
| D512 | 4804-1480-C | DIODE 1N4148 ATS |
| D513-D514 | 4840-0850-0 | ZD 1/2W 21.52-22.63V AT |
| D515-D520, D592-D593 | 4804-1480-C | DIODE 1N4148 ATS |
| CONNECTOR WIRES | | |
| J501A | 7706-1480-3004 | CONN.ASSY 6P P2.5 L480 AWG 24 |
| J502A | 7712-1150-3004 | CONN.ASSY 12P P2.5 L150 AWG24 |
| J503A | 7710-1100-3004 | CONN.ASSY 10P P2.5 L100 AWG24 |
| J504A | 7706-1480-3004 | CONN.ASSY 6P P2.5 L480 AWG 24 |
| WAFERS | | |
| J505B | 2102-021S-004 | 2P ST.WAFER P=2.5 COULOMB |
| J603B | 2102-061S-004 | 6P ST. WAFER P=2.5 COULOMB |
| J802B | 2102-101S-004 | WAFER 10P P2.5 ST. (COULOMB) |
| COILS | | |
| L501-L502 | 1804-0540-0 | SPRING COIL 1MH |
| RELAYS | | |
| M501 | 4500-0910-0 | RELAY 24VDC,125VA,3A OSA-SS-224DM3 OEG |
| M502 | 4500-0900-0 | RELAY 24VDC,250VAC,10A SDT-SS-124D OEG |
| THERMISTOR | | |
| M511 | 8910-0489-0 | THERMISTOR 100C PTH9M04BD222TS2F333 |
| WAFERS | | |
| P501-P503 | 2113-1160-0 | WAFER 2P ST. P=2.5 NH (JST) |

| <u>Reference No.</u> | <u>Part No.</u> | <u>Description</u> |
|----------------------|-----------------|-------------------------------------|
| TRANSISTORS | | |
| Q501-Q506 | 4860-0190-5 | TR 2SC1845 (F.E) RL |
| Q507-Q510 | 485A-9490-5 | TR 2SA949-O HFE 70-140 TOSHIBA |
| Q511-Q512 | 485C-2229-5 | TR 2SC2229-0 HFE 70-140 TOSHIBA |
| Q513-Q514 | 485A-9490-5 | TR 2SA949-O HFE 70-140 TOSHIBA |
| Q515-Q516 | 485C-2229-5 | TR 2SC2229-0 HFE 70-140 TOSHIBA |
| Q517-Q518 | 4860-1220-5 | TR 2SC3421 (0,Y) RL TSB |
| Q519-Q520 | 485C-5171-5 | TR 2SC5171 HFE 100-320 |
| Q521-Q522 | 485A-1930-5 | TR 2SA1930 HFE 100-320 |
| Q523-Q524 | 4860-5210-5 | TR 2SC5198-0 HFE 80-160 70W TOSHIBA |
| Q525-Q526 | 4860-5220-5 | TR 2SA1941-0 HFE 80-160 70W TOSHIBA |
| Q527-Q528 | 4860-0190-5 | TR 2SC1845 (F.E) RL |
| Q529-Q530 | 4860-1590-5 | TR 2SC1740S (R) HFE180-390 |
| Q541-Q544 | 4860-0190-5 | TR 2SC1845 (F.E) RL |
| Q545 | 4860-1590-5 | TR 2SC1740S (R) HFE180-390 |
| Q546-Q548 | 485A-9490-5 | TR 2SA949-O HFE 70-140 TOSHIBA |
| Q549-Q550 | 485C-2229-5 | TR 2SC2229-0 HFE 70-140 TOSHIBA |
| Q551 | 485C-5171-5 | TR 2SC5171 HFE 100-320 |
| Q552 | 4860-1220-5 | TR 2SC3421 (0,Y) RL TSB |
| Q553 | 485A-1930-5 | TR 2SA1930 HFE 100-320 |
| Q554 | 4860-5210-5 | TR 2SC5198-0 HFE 80-160 70W TOSHIBA |
| Q555 | 4860-5220-5 | TR 2SA1941-0 HFE 80-160 70W TOSHIBA |
| Q561-Q562 | 4850-992F-5 | TR 2SA992 HFE 300-600 |
| Q563 | 485B-772P-5 | TR 2SB772P PNP POWER TR |
| Q564 | 4860-1590-5 | TR 2SC1740S (R) HFE180-390 |
| Q581-Q582 | 4860-0190-5 | TR 2SC1845 (F.E) RL |
| Q583 | 4850-992F-5 | TR 2SA992 HFE 300-600 |
| Q591-Q592 | 485C-123J-5 | TR DTC123JSA ROHM |
| RESISTORS | | |
| R501 | 474B-R10K-5-02 | RWR 5W 0.1Rx2 10% RL |
| R502 | 4701-221J-C | RCF 1/8W 220R 5% ATS |
| R503-R504 | 4701-273J-C | RCF 1/8W 27K 5% ATS |
| R505-R506 | 4701-471J-C | RCF 1/8W 470R 5% ATS |
| R507-R510 | 4701-180J-C | RCF 1/8W 18R 5% ATS |
| R511-R512 | 4701-562J-C | RCF 1/8W 5.6K 5% ATS |
| R513-R514 | 4701-273J-C | RCF 1/8W 27K 5% ATS |
| R515-R516 | 4701-821J-C | RCF 1/8W 820R 5% ATS |
| R517-R520 | 4701-102J-C | RCF 1/8W 1K 5% ATS |
| R521-R524 | 4717-680J-1 | RMF 1/2W 68R 5% AL |
| R525-R526 | 4717-560J-2 | RMF 1/2W 56R 5% AT |
| R527-R528 | 4717-680J-1 | RMF 1/2W 68R 5% AL |
| R529-R530 | 4701-560J-C | RCF 1/8W 56R 5% ATS |
| R531-R532 | 4701-183J-C | RCF 1/8W 18K 5% ATS |
| R533-R534 | 4701-332J-C | RCF 1/8W 3.3K 5% ATS |
| R535-R536 | 4701-183J-C | RCF 1/8W 18K 5% ATS |
| R537-R538 | 4701-512J-C | RCF 1/8W 5.1K 5% ATS |
| R539-R542 | 4717-2R2J-2 | RMF 1/2W 2.2R 5% AT |
| R543-R544 | 4705-331J-2 | RCF 1/4W 330R 5% AT |
| R545-R546 | 4701-272J-C | RCF 1/8W 2.7K 5% ATS |
| R547-R548 | 474B-R22K-5-02 | RWR 5W 0.22R x2 10% RL |
| R549-R550 | 4701-471J-C | RCF 1/8W 470R 5% ATS |
| R551-R552 | 4701-333J-C | RCF 1/8W 33K 5% ATS |
| R553-R554 | 4701-473J-C | RCF 1/8W 47K 5% ATS |
| R555-R556 | 4718-8R2J-2-X | RMF 1W 8.2R 5% AT |
| R559 | 4701-103J-C | RCF 1/8W 10K 5% ATS |
| R560 | 4701-223J-C | RCF 1/8W 22K 5% ATS |
| R561-R562 | 4701-271J-C | RCF 1/8W 270R 5% ATS |
| R563-R566 | 4701-104J-C | RCF 1/8W 100K 5% ATS |

| Reference No. | Part No. | Description |
|------------------------------------|-----------------|---------------------------------|
| R567, R569 | 4717-2R2J-2 | RMF 1/2W 2.2R 5% AT |
| R570 | 4701-225J-C | RCF 1/8W 2.2M 5% ATS |
| R571 | 4705-333J-2 | RCF 1/4W 33K 5% AT |
| R572 | 4701-103J-2 | RCF 1/8W 10K 5% AT |
| R575 | 4701-473J-2 | RCF 1/8W 47K 5% AT |
| R577-R578 | 4718-R22J-2 | RMF 1W 0.22R 5% AT |
| R580 | 4701-562J-C | RCF 1/8W 5.6K 5% ATS |
| R581 | 4701-273J-C | RCF 1/8W 27K 5% ATS |
| R582-R583 | 4701-102J-2 | RCF 1/8W 1K 5% AT |
| R584 | 4701-104J-2 | RCF 1/8W 100K 5% AT |
| R585-R586 | 4717-680J-1 | RMF 1/2W 68R 5% AL |
| R587 | 4701-471J-C | RCF 1/8W 470R 5% ATS |
| R588 | 4701-180J-C | RCF 1/8W 18R 5% ATS |
| R589 | 4701-562J-C | RCF 1/8W 5.6K 5% ATS |
| R590 | 4701-180J-C | RCF 1/8W 18R 5% ATS |
| R591 | 4701-273J-C | RCF 1/8W 27K 5% ATS |
| R592 | 4701-223J-C | RCF 1/8W 22K 5% ATS |
| R593 | 4701-560J-C | RCF 1/8W 56R 5% ATS |
| R594 | 4701-271J-C | RCF 1/8W 270R 5% ATS |
| R595 | 4701-104J-C | RCF 1/8W 100K 5% ATS |
| R596 | 4717-560J-2 | RMF 1/2W 56R 5% AT |
| R597 | 4717-680J-1 | RMF 1/2W 68R 5% AL |
| R598 | 4701-183J-C | RCF 1/8W 18K 5% ATS |
| R5100 | 4701-512J-C | RCF 1/8W 5.1K 5% ATS |
| R5101 | 4701-183J-C | RCF 1/8W 18K 5% ATS |
| R5102 | 4701-332J-C | RCF 1/8W 3.3K 5% ATS |
| R5103 | 4705-331J-2 | RCF 1/4W 330R 5% AT |
| R5104-R5105 | 4717-2R2J-2 | RMF 1/2W 2.2R 5% AT |
| R5106 | 4701-272J-C | RCF 1/8W 2.7K 5% ATS |
| R5107 | 474B-R22K-5-02 | RWR 5W 0.22R x2 10% RL |
| R5108 | 4701-471J-C | RCF 1/8W 470R 5% ATS |
| R5109 | 4701-333J-C | RCF 1/8W 33K 5% ATS |
| R5110 | 4718-8R2J-2-X | RMF 1W 8.2R 5% AT |
| R5111 | 4701-821J-C | RCF 1/8W 820R 5% ATS |
| R5112, R5117 | 4701-473J-C | RCF 1/8W 47K 5% ATS |
| R5119 | 4701-103J-C | RCF 1/8W 10K 5% ATS |
| R5120-R5121 | 4701-472J-C | RCF 1/8W 4.7K 5% ATS |
| R5122-R5123 | 4707-822J-2 | RCF 1/2W 8.2K 5% AT |
| R5124-R5125 | 4701-122J-C | RCF 1/8W 1.2K 5% ATS |
| R5126 | 4701-561J-C | RCF 1/8W 560R 5% AT |
| R5130 | 4701-223J-C | RCF 1/8W 22K 5% ATS |
| R5131 | 4701-562J-C | RCF 1/8W 5.6K 5% ATS |
| R5132 | 4701-223J-C | RCF 1/8W 22K 5% ATS |
| R5133 | 4701-562J-C | RCF 1/8W 5.6K 5% ATS |
| R5134-R5135 | 4701-222J-C | RCF 1/8W 2.2K 5% ATS |
| IC | | |
| Q565 | 3130-2520-3 | IC 7812 12V REGULATOR |
| SEMI-FIXED RESISTORS | | |
| R573-R574, R599 | 4756-2226-3-06 | SVR 2.2K H3 7x7.6 R0615C |
| SURROUND AMP BOARD ASSEMBLY | | |
| PC BOARD | | |
| 2501 | PCB-N0910C-AMP2 | PCB ASSY POWER AMP SL/SR N091XC |
| CAPACITORS | | |
| C801-C802 | 157D-476M-5-IU | CE 16V 47µF 20% RL 5x11 |

| <u>Reference No.</u> | <u>Part No.</u> | <u>Description</u> |
|------------------------|-----------------|--|
| C803-C804 | 150F-101J-5-IF | CC 50V 100pF 5% RL 5x3.5 |
| C805-C806 | 150F-020C-5-GG | CC 50V 2pF 0.25pF RL 4x4 |
| C807-C808 | 150F-471K-5-GG | CC 50V 470pF 10% RL 4x4 |
| C809-C810 | 157D-227M-5-KW | CE 16V 220µF 20% RL 6x12 |
| C811-C812 | 157D-476M-5-IU | CE 16V 47µF 20% RL 5x11 |
| C813-C814 | 150F-181K-5-GG | CC 50V 180pF 10% RL 4x4 |
| C815-C816 | 150F-070D-5-GG | CC 50V 7pF 0.5pF RL 4x4 |
| C817-C820 | 157F-106M-5-GM | CE 50V 10µF 20% RL 4x7 |
| C821-C822 | 150F-223Z-5-UG | CC 50V 0.022µF +80/-20% RL 11x4 |
| C823-C824 | 153F-104J-5-QUN | CM 50V 0.1µF RL (9x11) POLYESTER |
| C829-C830 | 157I-477M-5-X& | CE 63V 470µF 20% RL 12.5x25 |
| C831-C832 | 150F-151K-2-FC | CC 50V 150pF 10% AT 3.5x2 |
| C833 | 150F-223Z-5-UG | CC 50V 0.022µF +80/-20% RL 11x4 |
| C835-C836 | 150F-151K-2-FC | CC 50V 150pF 10% AT 3.5x2 |
| DIODES | | |
| D801-D802 | 4804-0040-1 | DIODE 1N4004 AL |
| D803-D805 | 4804-1480-C | DIODE 1N4148 ATS |
| WAFERS | | |
| J602B | 2102-031S-004 | 3 PIN ST. WAFER P=2.5 COULOMB |
| JP801-JP802 | 2113-1160-0 | WAFER 2P ST. P=2.5 NH (JST) |
| CONNECTOR WIRES | | |
| J801A | 7708-1150-3004 | CONN.ASSY AWG24 8P P2.5 L=150 |
| J802A | 7710-1200-3004 | CONN ASSY 10P P2.5 L200 AWG24 |
| RELAY | | |
| M801 | 4500-0910-0 | RELAY 24VDC,125VA,3A OSA-SS-224DM3 OEG |
| TRANSISTORS | | |
| Q801-Q806 | 4860-0190-5 | TR 2SC1845 (F.E) RL |
| Q807-Q808 | 4860-1590-5 | TR 2SC1740S (R) HFE180-390 |
| Q809-Q812 | 485A-949O-5 | TR 2SA949-O HFE 70-140 TOSHIBA |
| Q813-Q814 | 485C-5171-5 | TR 2SC5171 HFE 100-320 |
| Q815-Q816 | 485A-949O-5 | TR 2SA949-O HFE 70-140 TOSHIBA |
| Q817-Q820 | 485C-2229-5 | TR 2SC2229-0 HFE 70-140 TOSHIBA |
| Q821-Q822 | 4860-1220-5 | TR 2SC3421 (0,Y) RL TSB |
| Q823-Q824 | 485A-1930-5 | TR 2SA1930 HFE 100-320 |
| Q825-Q826 | 4860-5210-5 | TR 2SC5198-0 HFE 80-160 70W TOSHIBA |
| Q827-Q828 | 4860-5220-5 | TR 2SA1941-0 HFE 80-160 70W TOSHIBA |
| Q829-Q830 | 4860-0190-5 | TR 2SC1845 (F.E) RL |
| Q831 | 485C-123J-5 | TR DTC123JSA ROHM |
| RESISTORS | | |
| R803-R804 | 4701-273J-C | RCF 1/8W 27K 5% ATS |
| R805-R806 | 4701-471J-C | RCF 1/8W 470R 5% ATS |
| R807-R808 | 4701-180J-C | RCF 1/8W 18R 5% ATS |
| R809-R810 | 4701-562J-C | RCF 1/8W 5.6K 5% ATS |
| R811,R812 | 4701-180J-C | RCF 1/8W 18R 5% ATS |
| R813-R816 | 4701-102J-C | RCF 1/8W 1K 5% ATS |
| R817-R818 | 4701-104J-C | RCF 1/8W 100K 5% ATS |
| R819-R822 | 4717-680J-1 | RMF 1/2W 68R 5% AL |
| R823-R824 | 4701-273J-C | RCF 1/8W 27K 5% ATS |
| R825-R826 | 4701-821J-C | RCF 1/8W 820R 5% ATS |
| R827-R828 | 4701-560J-C | RCF 1/8W 56R 5% ATS |
| R829-R830 | 4701-183J-C | RCF 1/8W 18K 5% ATS |
| R831-R832 | 4701-512J-C | RCF 1/8W 5.1K 5% ATS |
| R833-R834 | 4701-183J-C | RCF 1/8W 18K 5% ATS |

| Reference No. | Part No. | Description |
|-----------------------------|-----------------|----------------------------------|
| R835-R836 | 4701-332J-C | RCF 1/8W 3.3K 5% ATS |
| R837-R838 | 4715-331A-2 | RMF 1/4W 330R 1% AT |
| R839-R840 | 4701-471J-C | RCF 1/8W 470R 5% ATS |
| R841-R844 | 4717-2R2J-2 | RMF 1/2W 2.2R 5% AT |
| R845-R846 | 4701-271J-C | RCF 1/8W 270R 5% ATS |
| R847-R848 | 4701-104J-C | RCF 1/8W 100K 5% ATS |
| R849-R850 | 4717-560J-2 | RMF 1/2W 56R 5% AT |
| R851-R852 | 4717-680J-1 | RMF 1/2W 68R 5% AL |
| R853-R854 | 474B-R22K-5-02 | RWR 5W 0.22R x2 10% RL |
| R855-R856 | 4707-272J-2 | RCF 1/2W 2.7K 5% AT |
| R857-R858 | 4718-8R2J-2-x | RMF 1W 8.2R 5% AT |
| R859-R860 | 4717-2R2J-2 | RMF 1/2W 2.2R 5% AT |
| R861-R862 | 4701-333J-C | RCF 1/8W 33K 5% ATS |
| R863-R864 | 4701-473J-C | RCF 1/8W 47K 5% ATS |
| R865-R866 | 4701-223J-C | RCF 1/8W 22K 5% ATS |
| SEMI-FIXED RESISTORS | | |
| R867-R868 | 4756-2026-3-03 | SVR 2.2K H3 7x7.6 R0615C |
| AUDIO BOARD ASSEMBLY | | |
| PC BOARD | | |
| 1201 | PCB-N0910C-AUD | PCB ASSY AUDIO N091xC |
| JACKS | | |
| 1202, 1203 | 2113-1805-0 | 6P RCA JACK R/W GOLD W/SHIELD |
| SWITCH | | |
| 1204 | 5200-3171-0-01 | DPDT SLIDE SW.SK-22F28-G9TS |
| CAPACITORS | | |
| C301-C302 | 150F-103K-2-FC | CC 50V 0.01 μ F 10% AT 3.5x2 |
| C303 | 157D-107M-5-IU | CE 16V 100 μ F 20% RL 5x11 |
| C304 | 150F-103K-2-FC | CC 50V 0.01 μ F 10% AT 3.5x2 |
| C305-C306 | 157D-476M-5-IU | CE 16V 47 μ F 20% RL 5x11 |
| C319-C322, C325-C332 | 150F-101K-2-FC | CC 50V 100pF 10% AT 3.5x2 |
| C333-C334, C337-C338 | 157D-335M-5-II | CE 16V 3.3 μ F 20% RL 5x5 |
| SOCKETS | | |
| J707B, J711B | 2101-1801-0 | SOCKET (PCB/PCB) 10P P2.0 |
| TRANSISTORS | | |
| Q302 | 485A-114E-5 | TR DTA114ESA ROHM |
| Q303 | 485C-144E-5 | TR DTC144ES ROHM |
| RESISTORS | | |
| R302-R303 | 4701-102J-C | RCF 1/8W 1K 5% ATS |
| R304 | 4701-470J-C | RCF 1/8W 47R 5% ATS |
| R305 | 4701-103J-C | RCF 1/8W 10K 5% ATS |
| R331 | 4701-331J-C | RCF 1/8W 330R 5% ATS |
| R332 | 4701-105J-C | RCF 1/8W 1M 5% ATS |
| R333 | 4701-331J-C | RCF 1/8W 330R 5% ATS |
| R334 | 4701-105J-C | RCF 1/8W 1M 5% ATS |
| R335 | 4701-331J-C | RCF 1/8W 330R 5% ATS |
| R336 | 4701-105J-C | RCF 1/8W 1M 5% ATS |
| R337 | 4701-331J-C | RCF 1/8W 330R 5% ATS |
| R338 | 4701-105J-C | RCF 1/8W 1M 5% ATS |
| R339 | 4701-222J-C | RCF 1/8W 2.2K 5% ATS |
| R340 | 4701-105J-C | RCF 1/8W 1M 5% ATS |
| R341 | 4701-222J-C | RCF 1/8W 2.2K 5% ATS |

| Reference No. | Part No. | Description |
|--------------------------------------|-----------------|-------------------------------------|
| R342 | 4701-105J-C | RCF 1/8W 1M 5% ATS |
| R343 | 4701-222J-C | RCF 1/8W 2.2K 5% ATS |
| R344 | 4701-105J-C | RCF 1/8W 1M 5% ATS |
| R345 | 4701-222J-C | RCF 1/8W 2.2K 5% ATS |
| R346 | 4701-105J-C | RCF 1/8W 1M 5% ATS |
| R347 | 4701-222J-C | RCF 1/8W 2.2K 5% ATS |
| R348 | 4701-105J-C | RCF 1/8W 1M 5% ATS |
| R349 | 4701-222J-C | RCF 1/8W 2.2K 5% ATS |
| R350 | 4701-105J-C | RCF 1/8W 1M 5% ATS |
| R351 | 4701-222J-C | RCF 1/8W 2.2K 5% ATS |
| R352 | 4701-105J-C | RCF 1/8W 1M 5% ATS |
| R353 | 4701-222J-C | RCF 1/8W 2.2K 5% ATS |
| R354 | 4701-105J-C | RCF 1/8W 1M 5% ATS |
| R355 | 4701-472J-C | RCF 1/8W 4.7K 5% ATS |
| ICs | | |
| U301 | 3131-3570-0 | IC TC9273N-004 ANALOG SWITCH ARRAY |
| U302 | 3130-5220-0 | IC 4066 QUAD BILATERAL SWITCH |
| <u>DIGITAL BOARD ASSEMBLY</u> | | |
| <u>PC BOARD</u> | | |
| 1601 | PCB-N0910C-DIG | PCB ASSY DIGITAL N091XC |
| <u>TOS-LINK</u> | | |
| 1602 | 4811-F32R-3 | LIGHT Rx UNIT GPIF32R SHARP |
| <u>JACKS</u> | | |
| 1603-1604 | 2113-1806-0 | 1P RCA JACK BK GOLD W/SHIELD |
| 1605 | 2113-1121-0 | 2P RCA JACK Y/Y AU HSP-242V-22 |
| <u>CAPACITORS</u> | | |
| C763, C764 | 150F-104K-2-FC | CC 50V 0.1 μ F 10% AT 3.5x2 |
| C765, C766 | 150F-223K-2-FD | CC 50V 0.022 μ F 10% AT 3.2x2.2 |
| <u>DIODES</u> | | |
| D756-D759 | 4804-1480-C | DIODE 1N4148 ATS |
| <u>WAFER</u> | | |
| J101B | 2102-101S-004 | WAFER 10P P2.5 ST. (COULOMB) |
| <u>RESISTORS</u> | | |
| R759 | 4701-102J-C | RCF 1/8W 1K 5% ATS |
| R760 | 4701-102J-C | RCF 1/8W 1K 5% ATS |
| R761 | 4701-101J-C | RCF 1/8W 100R 5% ATS |
| R762 | 4701-104J-C | RCF 1/8W 100K 5% ATS |
| <u>IC</u> | | |
| U761 | 3130-7370-0 | IC 74HCT00 NAND GATE |
| <u>KEYBOARD ASSEMBLY</u> | | |
| <u>PC BOARD</u> | | |
| 2101 * AH | PCB-N0910C-KEY | PCB ASSY KEYBOARD N091XC |
| 2101 * C | PCB-N0911C-KEY | PCB ASSY KEYBOARD N091XC |
| <u>VFL</u> | | |
| 2119 | 2460-1890-1 | VFD 12-MT-79GNK FUTABA |
| <u>CAPACITORS</u> | | |
| C201 | 157B-107M-5-KM | CE 6.3V 100 μ F 20% RL 6x7 |

| Reference No. | Part No. | Description |
|----------------------|-----------------|---|
| C202 | 150F-103K-2-FC | CC 50V 0.01µF 10% AT 3.5 x2 |
| C203-C204 | 150F-220K-5-GG | CC 50V 22pF 10% RL 4x4 |
| C205 | 150F-104Z-5-IU | CC 50V 0.1µF +80/-20% RL 5x11 |
| C206 | 157B-107M-5-KM | CE 6.3V 100µF 20% RL 6x7 |
| C207 | 150F-104Z-5-IU | CC 50V 0.1µF +80/-20% RL 5x11 |
| C208 | 157D-476M-5-IU | CE 16V 47µF 20% RL 5x11 |
| DIODES | | |
| D201-D202 | 4804-1480-C | DIODE 1N4148 ATS |
| D203 | 4837-5V61-2 | DZ 1/2W 5.6V ROHM AT |
| D205 *C | 4804-1480-C | DIODE 1N4148 ATS |
| D206-D207, D209 | 4804-1480-C | DIODE 1N4148 ATS |
| CONNECTORS | | |
| J201A | 7703-1360-2004 | CONN.ASSY 3P P205 L=360 AWG26 |
| J202A | 7704-1200-2004 | CN ASSY 4P P=2.5 L=200 |
| J203A | 2101-1581-0 | FLEXIBLE CONN. 35P P1.25 SIDE ENTRY |
| J204A | 7706-1100-2004 | CONN ASSY AWG26 6P P2.5 L=100 |
| J206A | 2101-1581-0 | FLEXIBLE CONN. 35P P1.25 SIDE ENTRY |
| J207A | 7703-1090-2004 | CONN. ASSY 3P P2.5 L=90 |
| WAFER | | |
| J208C | 2102-8002-3-100 | WAFER 2 PIN 9mm |
| COIL | | |
| L201 | 1801-220K-M | COIL 22µH 10% AL BL7 |
| SWITCHES | | |
| M201-M217 | 5200-3538-0 | SWITCH, TACT SKHHBY 7mm HIGH |
| SENSOR | | |
| M218 | 4814-3TE2-3 | IR SENSOR PIC-12043TE2 |
| CRYSTAL | | |
| M219 | 2300-3150-0 | CRYSTAL 10MHZ +/-30PPM LOAD CAP 22P HC49U |
| TRANSISTORS | | |
| Q201 | 4860-0050-5 | TR SS8050 C/D SAMSUNG RL |
| Q202 | 485C-144E-5 | TR DTC144ES ROHM |
| Q204 | 485A-114E-5 | TR DTA114ESA ROHM |
| RESISTORS | | |
| R201-R203 | 4701-681J-C | RCF 1/8W 680R 5% ATS |
| R204-R206 | 4701-821J-C | RCF 1/8W 820R 5% ATS |
| R207-R209 | 4701-182J-C | RCF 1/8W 1.8K 5% ATS |
| R210-R212 | 4701-222J-C | RCF 1/8W 2.2K 5% ATS |
| R213-R214 | 4701-472J-C | RCF 1/8W 4.7K 5% ATS |
| R215-R218 | 4701-103J-C | RCF 1/8W 10K 5% ATS |
| R219 | 4701-472J-C | RCF 1/8W 4.7K 5% ATS |
| R220-R221 | 4701-471J-C | RCF 1/8W 470R 5% ATS |
| R222 | 4701-473J-C | RCF 1/8W 47K 5% ATS |
| R223 | 4701-474J-C | RCF 1/8W 470K 5% ATS |
| R224 | 4701-102J-C | RCF 1/8W 1K 5% ATS |
| R225-R226 | 4701-103J-C | RCF 1/8W 10K 5% ATS |
| R228-R231 | 4701-223J-C | RCF 1/8W 22K 5% ATS |
| R232-R246 | 4701-103J-C | RCF 1/8W 10K 5% ATS |
| R247-R250 | 4701-473J-C | RCF 1/8W 47K 5% ATS |
| R251-R261 | 4701-103J-C | RCF 1/8W 10K 5% ATS |

| Reference No. | Part No. | Description |
|-----------------------------------|-----------------|-------------------------------------|
| R262 | 4701-223J-C | RCF 1/8W 22K 5% ATS |
| R263-R274 | 4701-104J-C | RCF 1/8W 100K 5% ATS |
| R280 | 4701-102J-C | RCF 1/8W 1K 5% ATS |
| R282 | 4701-103J-C | RCF 1/8W 10K 5% ATS |
| ICs | | |
| U201 | 3131-3810-1 | IC LC87F65C8A 8 BIT MCU MASKED |
| U202 | 3131-3920-0 | IC EEPROM 24C02 2KBIT 8PIN DIP |
| <u>LED BOARD ASSEMBLY</u> | | |
| <u>PC BOARD</u> | | |
| 2201 | PCB-N0910C-LED | PCB ASSY LED N091XC |
| <u>LED</u> | | |
| 2202 | 3700-2489-G | LED 3mm GREEN SP |
| <u>CONNECTOR</u> | | |
| J208A | 7702-1060-2004 | CONN.ASSY 2P P2.5 L60 AWG26 |
| <u>LOAD BOARD ASSEMBLY</u> | | |
| <u>PC BOARD</u> | | |
| 2601 | PCB-N0910C-LOAD | PCB ASSY LOAD N091XC |
| <u>CAPACITORS</u> | | |
| C703-C704 | 157F-106M-5-IU | CE 50V 10 μ F 20% RL 5x11 |
| C705 | 150F-104Z-5-IU | CC 50V 0.1 μ F +80/-20% RL 5x11 |
| C706-C707 | 157D-106M-5-GM | CE 16V 10 μ F 20% RL 4x7 |
| <u>DIODES</u> | | |
| D701 | 4840-7060-0 | DIODE BRIDGE RS804M |
| D703 | 4804-1480-C | DIODE 1N4148 ATS |
| <u>WAFERS</u> | | |
| J204B | 2102-061R-004 | WAFER 6 PIN P2.5 |
| J504B, J702B | 2102-061S-004 | 6P ST. WAFER P=2.5 COULOMB |
| <u>TRANSISTORS</u> | | |
| M701-M702 | 4860-5270-5 | TR TYN412 400V 12A THYRISTOR |
| Q701 | 4860-0660-5 | TR 2SA1015 (G.R.) RL |
| Q702 | 4860-0700-5 | TR 2SC1815 (G.R.) RL |
| Q703 | 4860-0660-5 | TR 2SA1015 (G.R.) RL |
| Q704 | 4860-0700-5 | TR 2SC1815 (G.R.) RL |
| <u>RESISTORS</u> | | |
| R701 | 4701-102J-C | RCF 1/8W 1K 5% ATS |
| R702 | 4701-223J-C | RCF 1/8W 22K 5% ATS |
| R703 | 4701-101J-C | RCF 1/8W 100R 5% ATS |
| R704-R705 | 4701-102J-C | RCF 1/8W 1K 5% ATS |
| R706 | 4701-103J-C | RCF 1/8W 10K 5% ATS |
| R707 | 4701-101J-C | RCF 1/8W 100R 5% ATS |
| R708 | 4701-223J-C | RCF 1/8W 22K 5% ATS |
| R709 | 4701-103J-C | RCF 1/8W 10K 5% ATS |
| R710 | 4701-472J-C | RCF 1/8W 4.7K 5% ATS |
| R711 | 4701-102J-C | RCF 1/8W 1K 5% ATS |
| R716-R717 | 4701-104J-C | RCF 1/8W 100K 5% ATS |
| R718-R719 | 4701-222J-C | RCF 1/8W 2.2K 5% ATS |
| R720 | 4701-684J-C | RCF 1/8W 680K 5% ATS |

| Reference No. | Part No. | Description |
|---|--|--|
| IC U701 | 3130-0890-0 | IC NJM4558D DUAL OP AMP. |
| MAIN BOARD ASSEMBLY PC BOARD 2301 | PCB-N0910C-MAIN | PCB ASSY MAIN N091XC |
| CAPACITORS C717 C718 C720, C721 C722-C723 C726 C727 C728 C731 C732 C734 C735 C736 C741-C744 C930 | 157E-338M-5-5\$ 157E-108M-5-X& 150F-223K-2-FD 157F-106M-5-GM 157F-476M-5-LU 150F-223K-2-FD 157F-107M-5-OW 150F-223K-2-FD 157F-106M-5-GM 157F-476M-5-LU 157D-106M-5-GM 150F-223K-2-FD 157C-337M-5-OVK 150F-223K-2-FD | CE 25V 3300µF 20% RL 16x32 CE 25V 1000µF 20% RL 12.5x25 CC 50V 0.022µF 10% AT 3.2x2.2 CE 50V 10µF 20% RL 4x7 CE 50V 47µF 20% RL 6.5x11 CC 50V 0.022µF 10% AT 3.2x2.2 CE 50V 100µF 20% RL 8x12 CC 50V 0.022µF 10% AT 3.2x2.2 CE 50V 10µF 20% RL 4x7 CE 50V 47µF 20% RL 6.5x11 CE 16V 10µF 20% RL 4x7 CC 50V 0.022µF 10% AT 3.2x2.2 CE 10V 330µF 20% RL 8x11.5 ELNA CC 50V 0.022µF 10% AT 3.2x2.2 |
| DIODES D715-D718 D720-D721 D722 D731-D734 J7159-J160 | 4805-3930-2 4804-0040-1 4837-27V0-2 4804-1480-C 4804-0010-2 | DIODE 1N5393 200V 1.5A AT DIODE 1N4004 AL DZ 1/2W 27V(26.2-27.6)AT DIODE 1N4148 ATS DIODE 1N4001 AT |
| WAFERS J206B J401B J502B J7001, J701B J703A J704A J705A-J711A | 2101-1591-0 2102-111S-004 2102-121S-004 2102-031S-004 2101-1621-0 2101-1641-0 2101-1621-0 | FLEXIBLE CONN. 35P P1.25 TOP ENTRY 11P ST.WAFER P=2.5 COULOMB 12P ST.WAFER P=2.5 COULOMB 3 PIN ST. WAFER P=2.5 COULOMB WAFER (PCB/PCB) 10P P2.0 ST WAFER (PCB/PCB) 16P P2.0 ST WAFER (PCB/PCB) 10P P2.0 ST |
| TRANSISTOR Q724 | 4860-0660-5 | TR 2SA1015 (G.R.) RL |
| RESISTORS R731 R732 R733-R734 R741-R744 | 4701-102J-C 4701-333J-C 4718-391J-2-X 4701-472J-C | RCF 1/8W 1K 5% ATS RCF 1/8W 33K 5% ATS RMF 1W 390R 5% AT RCF 1/8W 4.7K 5% ATS |
| ICs U721 U722 U723 U724 | 3130-2520-3 3130-3800-0 3130-8190-0 3130-2020-2 | IC 7812 12V REGULATOR IC UPC79M12HF REGULATOR IC NJM78M56FA 5.6V REGULATOR IC 7805 REG 5V |
| MULTI-CHANNEL BOARD ASSEMBLY PC BOARD 1101 | PCB-N0910C-MUTI | PCB ASSY MULTI CHI N091XC |

| Reference No. | Part No. | Description |
|----------------------|-----------------|---------------------------------|
| JACKS | | |
| 1102 | 2113-1808-0 | 4P RCA JACK R/W GOLD W/SHIELD |
| 1103 | 2113-1809-0 | 2P RCA JACK BK/BK GOLD W/SHIELD |
| 1105 | 2113-1808-0 | 4P RCA JACK R/W GOLD W/SHIELD |
| 1106 | 2113-1809-0 | 2P RCA JACK BK/BK GOLD W/SHIELD |
| CAPACITORS | | |
| C601-C606 | 150F-101K-2-FC | CC 50V 100pF 10% AT 3.5x2 |
| C609-C610 | 150F-223K-2-FD | CC 50V 0.022μF 10% AT 3.2x2.2 |
| C611-C616 | 157D-335M-5-II | CE 16V 3.3μF 20% RL 5x5 |
| C617 | 150F-104Z-5-IU | CC 50V 0.1μF +80/-20% RL 5x11 |
| C618-C619 | 157D-335M-5-II | CE 16V 3.3μF 20% RL 5x5 |
| C620-C621 | 157D-476M-5-IU | CE 16V 47μF 20% RL 5x11 |
| C622-C629 | 157D-106M-5-GM | CE 16V 10μF 20% RL 4x7 |
| C630-C633 | 150F-221K-5-GG | CC 50V 220pF 10% RL 4x4 |
| C634-C637 | 153F-101K-5-MKN | CM 100pF 50V RL (7x6) POLYESTER |
| C638-C641 | 157F-225K-5-GM | CE 50V 2.2μF 10% RL 4x7 |
| C642 | 157D-106M-5-GM | CE 16V 10μF 20% RL 4x7 |
| C643 | 157D-335M-5-II | CE 16V 3.3μF 20% RL 5x5 |
| C644 | 150F-103K-5-II | CC 50V 0.01μF 10% RL 5x5 |
| C647-C649 | 157D-226M-5-II | CE 16V 22μF 20% RL 5x5 |
| C650-C653 | 157D-475M-5-EI | CE 16V 4.7μF 20% RL 3x5 |
| C654-C655 | 157D-335M-5-II | CE 16V 3.3μF 20% RL 5x5 |
| C656-C657 | 150F-101J-5-IF | CC 50V 100pF 5% RL 5x3.5 |
| C658-C659 | 157D-476M-5-IU | CE 16V 47μF 20% RL 5x11 |
| C660-C663 | 153F-101K-5-MKN | CM 100pF 50V RL (7x6) POLYESTER |
| C664-C667 | 150F-101J-5-IF | CC 50V 100pF 5% RL 5x3.5 |
| C668-C669 | 157D-106M-5-GM | CE 16V 10μF 20% RL 4x7 |
| C670-C671 | 153F-103J-5-IM | CM 50V 0.01μF 5% RL 5x7 |
| C672-C673 | 153F-101K-5-MKN | CM 100pF 50V RL (7x6) POLYESTER |
| C674 | 157D-476M-5-IU | CE 16V 47μF 20% RL 5x11 |
| C675-C676 | 150F-221K-2-FC | CC 50V 220pF 10% AT 3.5x2 |
| C679 | 157D-476M-5-IU | CE 16V 47μF 20% RL 5x11 |
| C680 | 157D-227M-5-KW | CE 16V 220μF 20% RL 6x12 |
| C681-C682 | 157D-476M-5-IU | CE 16V 47μF 20% RL 5x11 |
| C683-C686 | 150F-223Z-5-UG | CC 50V 0.022μF +80/-20% RL 11x4 |
| DIODES | | |
| D601-D602 | 4837-7V51-2 | DZ 1/2W 7.5V ROHM AT |
| D603 | 4804-1480-2 | DIODE 1N4148 AT |
| D607 | 4837-5V61-2 | DZ 1/2W 5.6V ROHM AT |
| WAFERS | | |
| J601A | 7712-1400-2004 | CONN.ASSY 12P P2.5 L400 AWG26 |
| J602A | 2102-031S-004 | 3 PIN ST. WAFER P=2.5 COULOMB |
| J603A | 7706-1150-3004 | CONN.ASSY 6P P2.5 L150 AWG 24 |
| J605A | 2102-101S-004 | WAFER 10P P2.5 ST. (COULOMB) |
| J705B-J706B | 2101-1801-0 | SOCKET (PCB/PCB) 10P P2.0 |
| COILS | | |
| L601-L602 | 1801-101K-M | COIL 100μH 10% |
| TRANSISTORS | | |
| Q601 | 4851-241A-5 | TR RN1241-A |
| Q602 | 4860-0060-5 | TR SS8550 C/D SAMSUNG RL |
| Q603-Q605 | 4851-241A-5 | TR RN1241-A |
| Q607 | 4860-0050-5 | TR SS8050 C/D SAMSUNG RL |
| Q608 | 4860-0770-5 | TR 2SC2878 (APB) RL |
| Q609-Q610 | 485A-114E-5 | TR DTA114ESA ROHM |

| Reference No. | Part No. | Description |
|------------------------|-----------------|-----------------------------|
| Q611-Q612 | 4851-241A-5 | TR RN1241-A |
| Q613 | 4860-0770-5 | TR 2SC2878 (APB) RL |
| Q614, Q616, Q618, Q620 | 485A-114E-5 | TR DTA114ESA ROHM |
| Q622 | 4860-0050-5 | TR SS8050 C/D SAMSUNG RL |
| RESISTORS | | |
| J6123, J680 | 4701-682J-C | RCF 1/8W 6.8K 5% ATS |
| R601-R606 | 4701-331J-C | RCF 1/8W 330R 5% ATS |
| R607-R612 | 4701-104J-C | RCF 1/8W 100K 5% ATS |
| R613 | 4701-333J-C | RCF 1/8W 33K 5% ATS |
| R614-R615 | 4701-103J-C | RCF 1/8W 10K 5% ATS |
| R616 | 4701-333J-C | RCF 1/8W 33K 5% ATS |
| R617 | 4701-103J-C | RCF 1/8W 10K 5% ATS |
| R618 | 4701-103J-C | RCF 1/8W 10K 5% ATS |
| R619-R620 | 4701-333J-C | RCF 1/8W 33K 5% ATS |
| R621-R622 | 4701-103J-C | RCF 1/8W 10K 5% ATS |
| R623 | 4701-123J-C | RCF 1/8W 12K 5% ATS |
| R624 | 4701-393J-C | RCF 1/8W 39K 5% ATS |
| R626 | 4701-203J-C | RCF 1/8W 20K 5% ATS |
| R627 | 4701-272J-C | RCF 1/8W 2.7K 5% ATS |
| R628 | 4701-203J-C | RCF 1/8W 20K 5% ATS |
| R631 | 4701-152J-C | RCF 1/8W 1.5K 5% ATS |
| R632-R637 | 4701-103J-C | RCF 1/8W 10K 5% ATS |
| R638-R643 | 4701-104J-C | RCF 1/8W 100K 5% ATS |
| R644-R645 | 4701-102J-C | RCF 1/8W 1K 5% ATS |
| R646-R649 | 4701-563J-C | RCF 1/8W 56K 5% ATS |
| R650-R653 | 4701-272J-C | RCF 1/8W 2.7K 5% ATS |
| R654 | 4701-103J-C | RCF 1/8W 10K 5% ATS |
| R655 | 4701-183J-C | RCF 1/8W 18K 5% ATS |
| R656-R657 | 4701-103J-C | RCF 1/8W 10K 5% ATS |
| R658 | 4701-102J-C | RCF 1/8W 1K 5% ATS |
| R659 | 4701-471J-C | RCF 1/8W 470R 5% ATS |
| R660-R661 | 4701-102J-C | RCF 1/8W 1K 5% ATS |
| R662 | 4701-563J-C | RCF 1/8W 56K 5% ATS |
| R663-R664 | 4701-223J-C | RCF 1/8W 22K 5% ATS |
| R665 | 4701-103J-C | RCF 1/8W 10K 5% ATS |
| R666 | 4701-563J-C | RCF 1/8W 56K 5% ATS |
| R667-R672 | 4701-221J-C | RCF 1/8W 220R 5% ATS |
| R673-R678 | 4701-104J-C | RCF 1/8W 100K 5% ATS |
| R679-R680 | 4701-563J-C | RCF 1/8W 56K 5% ATS |
| R681-R682 | 4701-102J-C | RCF 1/8W 1K 5% ATS |
| R683-R684 | 4701-101J-C | RCF 1/8W 100R 5% ATS |
| R685-R686 | 4701-223J-C | RCF 1/8W 22K 5% ATS |
| R687-R688 | 4701-472J-C | RCF 1/8W 4.7K 5% ATS |
| R689 | 4701-563J-C | RCF 1/8W 56K 5% ATS |
| R690 | 4701-563J-C | RCF 1/8W 56K 5% ATS |
| R691-R692 | 4701-203J-C | RCF 1/8W 20K 5% ATS |
| R693-R694 | 4701-152J-C | RCF 1/8W 1.5K 5% ATS |
| R695-R696 | 4701-122J-C | RCF 1/8W 1.2K 5% ATS |
| R697-R698 | 4701-104J-C | RCF 1/8W 100K 5% ATS |
| R699-R700 | 4701-102J-C | RCF 1/8W 1K 5% ATS |
| R704 | 4701-152J-C | RCF 1/8W 1.5K 5% ATS |
| R705 | 4701-272J-C | RCF 1/8W 2.7K 5% ATS |
| ICs | | |
| U601 | 3130-8120-0 | IC M62447SP ELECTRIC VOLUME |
| U602 | 3130-3730-1 | IC TC9164AN HIV ANALOG SW |
| U605-U611 | 3130-9560-0 | NJM5532 IC 'DIP8' ELE-IC029 |

| Reference No. | Part No. | Description |
|---------------------------|-----------------|--|
| POWER SUPPLY BOARD | | |
| ASSEMBLY | | |
| PC BOARD | | |
| 3002 * AH | PCB-N0910C-PSU | PCB ASSY POWER SUPPLY N0910C |
| 3002 * C | PCB-N0911C-PSU | PCB ASSY POWER SUPPLY N0911C |
| CAPACITORS | | |
| C758 \triangle | 8910-0091-0 | CC 400V 0.01 μ F +-20% RL 17x9.5 |
| C759 | 150F-223Z-5-UG | CC 50V 0.022 μ F +80/-20% RL 11x4 |
| C760 | 157E-227M-5-PU | CE 25V 220 μ F 20% RL 8.5x11 |
| DIODES | | |
| D751 | 4804-1480-C | DIODE 1N4148 ATS |
| D752-D755 | 4804-0040-1 | DIODE 1N4004 AL |
| WAFER | | |
| J201B | 2102-031S-004 | 3 PIN ST. WAFER P=2.5 COULOMB |
| FUSES | | |
| M751 *AH \triangle | 5120-0200-0 | FUSE T5A/125V 5x20mm MITT/UL/SA |
| M752 *C \triangle | 5120-0024-0 | 3.15A TIME-LAG 5x20 |
| M754 *AH \triangle | 5120-0052-0 | FUSE T1.6A 250V 5x20mm UL/SA |
| RELAY | | |
| M753 \triangle | 4500-0890-0 | RELAY 12VDC,250VAC,10A SDT-SS-112DM OEG |
| TRANSISTOR | | |
| Q751 | 485C-123J-5 | TR DTC123JSA ROHM |
| RESISTORS | | |
| R754 *AH | 4707-8R2J-2 | RCF 1/2W 8.2R 5% AT |
| R754 *C | 4717-8R2J-2-F | RMF 1/2W 8.2R 5% AL |
| R758 *AH \triangle | 4717-335J-2-S | RMF 1/2W 3.3M 5% AT UL APPROVED (NO FUSIBLE RESISTOR) |
| TRANSFORMER | | |
| T752 \triangle | 1806-2311-0 | EI-35 TRANSFORMER 12V/AC 200MA Q0020C |
| SECONDARY BOARD | | |
| ASSEMBLY | | |
| PC BOARD | | |
| 2801 | PCB-N0910C-SEC | PCB ASSY SECONDARY N091XC |
| CAPACITORS | | |
| C751-C752 | 150F-104K-5-II | CC 50V 0.1 μ F 10% RL 5x5 |
| C753-C756 | 153I-104J-5-NMM | CM 63V 0.1 μ F RL (7.5x7) POLYESTER |
| C757 | 150F-104K-5-II | CC 50V 0.1 μ F 10% RL 5x5 |
| WAFERS | | |
| J202B | 2102-041S-004 | 4P ST.WAFER P=2.5 COULOMB |
| J501B | 2102-061S-004 | 6P ST. WAFER P=2.5 COULOMB |
| CONNECTORS | | |
| J701A | 7703-1430-2004 | CONN.ASSY 3P P2.5 L430 AWG26 |
| J702A | 7706-1220-1004 | 6P CONN WIRE ASSY L=220 28AWG |
| RESISTORS | | |
| R751-R753, R755 | 4718-R22J-2 | RMF 1W 0.22R 5% AT |

| Reference No. | Part No. | Description |
|--------------------------------------|-----------------|----------------------------------|
| <u>SPEAKER BOARD ASSEMBLY</u> | | |
| <u>PC BOARD</u> | | |
| 1501 * AH | PCB-N0910C-SPK | PCB ASSY SPEAKER N0910C |
| 1501 * C | PCB-N0911C-SPK | PCB ASSY SPEAKER N0911C |
| <u>TERMINALS</u> | | |
| 1502 * AH | 2113-1663-0 | 4P SPEAKER TERMINAL R/B W/BANANA |
| 1503 * AH | 2113-1664-0 | 6P SPEAKER TERMINAL R/B W/BANANA |
| 1502 * C | 2113-1655-0 | 4P SPEAKER TERMINAL R/B |
| 1503 * C | 2113-1656-0 | 6P SPEAKER TERMINAL R/B |
| <u>CAPACITORS</u> | | |
| C594-R596 | 153F-102J-5-IM | CM 50V 1000pF 5% RL 5x7 |
| C851-C852 | 150F-331K-5-GE | CC 50V 330pF 10% RL 4x3 |
| <u>WAFERS</u> | | |
| J503B | 2102-101S-004 | WAFER 10P P2.5 ST. (COULOMB) |
| J801B | 2102-081S-004 | WAFER 8P P2.5 ST. |
| <u>S-VIDEO BOARD ASSEMBLY</u> | | |
| <u>PC BOARD</u> | | |
| 1401 | PCB-N0910C-SVD | PCB ASSY S-VIDEO N091XC |
| <u>CONNECTORS</u> | | |
| 1402-1406 | 2113-1183-0 | 1P DIN CONNECTOR HDC-050 |
| <u>SWITCH</u> | | |
| 1407 | 5200-3171-0-01 | DPDT SLIDE SW.SK-22F28-G9TS |
| <u>CAPACITORS</u> | | |
| C401 | 150F-223Z-5-UG | CC 50V 0.022μF +80/-20% RL 11x4 |
| C404 | 157F-225M-5-GM | CE 50V 2.2μF 20% RL 4x7 |
| C405 | 157C-477M-5-OU | CE 10V 470μF 20% RL 8x11 |
| C406 | 157F-225M-5-GM | CE 50V 2.2μF 20% RL 4x7 |
| C407 | 157C-477M-5-OU | CE 10V 470μF 20% RL 8x11 |
| C408-C413 | 157F-225M-5-GM | CE 50V 2.2μF 20% RL 4x7 |
| C414 | 157D-476M-5-IU | CE 16V 47μF 20% RL 5x11 |
| C415 | 157C-477M-5-OU | CE 10V 470μF 20% RL 8x11 |
| C416-C417 | 157F-225M-5-GM | CE 50V 2.2μF 20% RL 4x7 |
| C418 | 157D-106M-5-GM | CE 16V 10μF 20% RL 4x7 |
| C419 | 153F-223J-5-LQ | CM 50V 0.022μF 5% RL 6.5x9 |
| C420-C421 | 150F-223Z-5-UG | CC 50V 0.022μF +80/-20% RL 11x4 |
| C423-C424 | 157B-227M-5-KW | CE 6.3V 220μF 20% RL 6x12 |
| C429 | 15CH-300J-5-IG | CTC 0/60 30pF 5% RL 5x4 |
| C429A | 15CH-050D-5-GG | CTC 0/60 5pF 0.5pF RL 4x4 |
| C430 | 15CH-300J-5-IG | CTC 0/60 30pF 5% RL 5x4 |
| C430A | 15CH-050D-5-GG | CTC 0/60 5pF 0.5pF RL 4x4 |
| C431-C432 | 15CH-270J-5-GG | CTC 0/60 27pF 5% RL 4x4 |
| C433-C435 | 150F-470J-5-IF | CC 50V 47pF 5% RL 5x3.5 |
| C436 | 157F-105M-5-GM | CE 50V 1μF 20% RL 4x7 |
| C440 | 157D-476M-5-IU | CE 16V 47μF 20% RL 5x11 |
| C442 | 157B-107M-5-KM | CE 6.3V 100μF 20% RL 6x7 |
| C443 | 150F-103K-5-II | CC 50V 0.01μF 10% RL 5x5 |
| C444 | 150F-474M-5-II | CC 50V 0.47μF 20% RL 5x5 MONO |
| C445 | 157B-107M-5-KM | CE 6.3V 100μF 20% RL 6x7 |
| C446 | 157F-474M-5-GM | CE 50V 0.47μF 20% RL 4x7 |
| C447 | 150F-470J-5-IF | CC 50V 47pF 5% RL 5x3.5 |
| C448 | 150F-474M-5-II | CC 50V 0.47μF 20% RL 5x5 MONO |

| Reference No. | Part No. | Description |
|----------------------|-----------------|---|
| C449 | 150F-103K-5-II | CC 50V 0.01 μ F 10% RL 5x5 |
| C451 | 150F-122K-5-IF | CC 50V 1200pF 10% RL 5x3.5 |
| C453 | 157F-105M-5-GM | CE 50V 1 μ F 20% RL 4x7 |
| C454 | 1551-0210-0 | TRIMCAP 5.2-30P TZ03R300FR MUR |
| C456 | 15CH-220J-5-GG | CTC 0/60 22pF 5% RL 4x4 |
| C457 | 150F-682K-5-SF | CC 50V 6800pF 10% RL 10x3.5 |
| C462 | 157F-474M-5-GM | CE 50V 0.47 μ F 20% RL 4x7 |
| C463 | 150F-223Z-5-UG | CC 50V 0.022 μ F +80/-20% RL 11x4 |
| C465 | 157B-107M-5-KM | CE 6.3V 100 μ F 20% RL 6x7 |
| C469 | 150F-223Z-5-UG | CC 50V 0.022 μ F +80/-20% RL 11x4 |
| DIODES | | |
| D401-D407, D413-D414 | 4804-1480-C | DIODE 1N4148 ATS |
| SOCKETS | | |
| J709B-J710B | 2101-1801-0 | SOCKET (PCB/PCB) 10P P2.0 |
| COILS | | |
| L401 | 1801-220K-M | COIL 22 μ H 10% AL BL7 |
| L403 | 1801-5R6K-M | COIL 5.6 μ H 10% BL=7 |
| CRYSTALS | | |
| M401 | 2300-3020-0 | X'TAL 14.318MHZ +-20PPM LOAD CAP 22P HC49/U |
| M402 | 2300-3030-0 | X'TAL 17.734MHZ +-20PPM LOAD CAP 22P HC49/U |
| TRANSISTORS | | |
| Q401-Q402 | 4860-0770-5 | TR 2SC2878 (APB) RL |
| Q403 | 485A-933S-5 | TR 2SA933S HFE 120-560 ROHM |
| Q404 | 4860-0770-5 | TR 2SC2878 (APB) RL |
| Q405 | 485A-933S-5 | TR 2SA933S HFE 120-560 ROHM |
| Q406 | 485C-123J-5 | TR DTC123JSA ROHM |
| Q407 | 485A-933S-5 | TR 2SA933S HFE 120-560 ROHM |
| Q408 | 4860-0770-5 | TR 2SC2878 (APB) RL |
| Q409-Q411 | 485A-933S-5 | TR 2SA933S HFE 120-560 ROHM |
| Q412 | 485C-123J-5 | TR DTC123JSA ROHM |
| Q413 | 4860-0770-5 | TR 2SC2878 (APB) RL |
| Q414-Q415 | 4860-1590-5 | TR 2SC1740S (R) HFE180-390 |
| Q416, Q432 | 485A-933S-5 | TR 2SA933S HFE 120-560 ROHM |
| Q436 | 4860-1590-5 | TR 2SC1740S (R) HFE180-390 |
| Q437 | 4860-0770-5 | TR 2SC2878 (APB) RL |
| Q438 | 485C-144E-5 | TR DTC144ES ROHM |
| RESISTORS | | |
| R401-R406 | 4701-820J-C | RCF 1/8W 82R 5% ATS |
| R407-R408 | 4701-680J-C | RCF 1/8W 68R 5% ATS |
| R409 | 4705-471J-2 | RCF 1/4W 470R 5% AT |
| R411-R412 | 4701-680J-C | RCF 1/8W 68R 5% ATS |
| R414 | 4701-121J-C | RCF 1/8W 120R 5% ATS |
| R415 | 4701-102J-C | RCF 1/8W 1K 5% ATS |
| R416 | 4701-563J-C | RCF 1/8W 56K 5% ATS |
| R417 | 4701-561J-C | RCF 1/8W 560R 5% ATS |
| R418 | 4701-471J-C | RCF 1/8W 470R 5% ATS |
| R419 | 4701-102J-C | RCF 1/8W 1K 5% ATS |
| R420-R421 | 4701-471J-C | RCF 1/8W 470R 5% ATS |
| R422 | 4701-102J-C | RCF 1/8W 1K 5% ATS |
| R423 | 4701-680J-C | RCF 1/8W 68R 5% ATS |
| R424 | 4701-221J-C | RCF 1/8W 220R 5% ATS |

| Reference No. | Part No. | Description |
|---|-----------------|--------------------------------------|
| R425-R426 | 4701-102J-C | RCF 1/8W 1K 5% ATS |
| R427 | 4701-680J-C | RCF 1/8W 68R 5% ATS |
| R428 | 4701-333J-C | RCF 1/8W 33K 5% ATS |
| R429 | 4701-104J-C | RCF 1/8W 100K 5% ATS |
| R430 | 4701-471J-C | RCF 1/8W 470R 5% ATS |
| R431 | 4701-222J-C | RCF 1/8W 2.2K 5% ATS |
| R441 | 4701-102J-C | RCF 1/8W 1K 5% ATS |
| R442 | 4701-222J-C | RCF 1/8W 2.2K 5% ATS |
| R443-R445 | 4701-102J-C | RCF 1/8W 1K 5% ATS |
| R446-R449 | 4701-222J-C | RCF 1/8W 2.2K 5% ATS |
| R450 | 4701-122J-C | RCF 1/8W 1.2K 5% ATS |
| R451 | 4701-101J-C | RCF 1/8W 100R 5% ATS |
| R452 | 4701-104J-C | RCF 1/8W 100K 5% ATS |
| R453 | 4701-822J-C | RCF 1/8W 8.2K 5% ATS |
| R454 | 4701-152J-C | RCF 1/8W 1.5K 5% ATS |
| R456 | 4701-824J-C | RCF 1/8W 820K 5% ATS |
| R457 | 4701-682J-C | RCF 1/8W 6.8K 5% ATS |
| R458 | 4701-473J-C | RCF 1/8W 47K 5% ATS |
| R459 | 4701-221J-C | RCF 1/8W 220R 5% ATS |
| R462 | 4701-272J-C | RCF 1/8W 2.7K 5% ATS |
| R463 | 4701-121J-C | RCF 1/8W 120R 5% ATS |
| R467 | 4701-102J-C | RCF 1/8W 1K 5% ATS |
| R468 | 4701-104J-C | RCF 1/8W 100K 5% ATS |
| R469 | 4701-102J-C | RCF 1/8W 1K 5% ATS |
| R473 | 4701-682J-C | RCF 1/8W 6.8K 5% ATS |
| R474 | 4701-332J-C | RCF 1/8W 3.3K 5% ATS |
| R475 | 4701-102J-C | RCF 1/8W 1K 5% ATS |
| ICs | | |
| U401 | 3131-3750-0 | IC LC74763-9012 OSD PAL/NTSC SANYO |
| U402-U403 | 3131-3730-0 | IC BA7625 2x5CH MULTIPLEXER ROHM |
| <u>POWER SWITCH ASSEMBLY</u> <u>PC BOARD</u> | | |
| 1701 | PCB-N0910C-SW | PCB ASSY MAIN SW N091xC |
| <u>SWITCH</u> | | |
| 1702 \triangle | 5200-3665-0 | POWER SWITCH TV5 W/THREAD |
| <u>CAPACITORS</u> | | |
| C761 \triangle | 8910-0091-0 | CC 400V 0.01 μ F +-20% RL 17x9.5 |
| <u>TONE BOARD ASSEMBLY</u> <u>PC BOARD</u> | | |
| 1801 | PCB-N0910C-TONE | PCB ASSY TONE N091XC |
| <u>CAPACITORS</u> | | |
| C321-C322 | 153F-153J-5-KP | CM 50V 0.015 μ F 5% RL 6x8.5 |
| <u>WAFER</u> | | |
| J605B | 2102-101S-004 | WAFER 10P P2.5 ST.(COULOMB) |
| <u>RESISTORS</u> | | |
| R321-R322 | 4701-102J-C | RCF 1/8W 1K 5% ATS |
| R323-R324 | 4750-9730-0 | VARIABLE RESISTORS |
| <u>TUNER BOARD ASSEMBLY</u> <u>PC BOARD</u> | | |
| 1001 * AH | PCB-N0910C-TUN | PCB ASSY TUNER (AH) N0910C |

| <u>Reference No.</u> | <u>Part No.</u> | <u>Description</u> |
|----------------------|-----------------|---------------------------------------|
| 1001 * C | PCB-N0911C-TUN | PCB ASSY TUNER (C) N0911C |
| JACK | | |
| 1002 | 2113-1805-0 | 6P RCA JACK R/W GOLD W/SHIELD |
| ANT-TERMINAL | | |
| 1003 *AH | 2107-0641-0 | ANT-TERMINAL F-TYPE AJ-2019-040 |
| 1003 *C | 2107-0681-0 | ANT-TERMINAL (DIN-TYPE) |
| CAPACITORS | | |
| C381-C386 | 150F-101K-2-FC | CC 50V 100pF 10% AT 3.5x2 |
| C901 * C | 150F-223Z-5-UG | CC 50V 0.022μF +80/-20% RL 11x4 |
| C902-C903 | 150F-223Z-5-UG | CC 50V 0.022μF +80/-20% RL 11x4 |
| C904 | 157D-106M-5-GM | CE 16V 10μF 20% RL 4x7 |
| C906 | 157D-107M-5-IU | CE 16V 100μF 20% RL 5x11 |
| C911 | 150F-200J-5-GG | CC 50V 20pF 5% RL 4x4 |
| C912-C913 | 150F-102K-5-IF | CC 50V 1000pF 10% RL 5x3.5 |
| C914-C915 | 150F-101J-5-IF | CC 50V 100pF 5% RL 5x3.5 |
| C916 | 150F-331K-5-GE | CC 50V 330pF 10% RL 4x3 |
| C924-C925 | 15CH-200J-5-GG | CTC 0/60 20pF 5% RL 4x4 |
| C926 | 153F-333J-5-NLM | CM 50V 0.033μF 5% RL 7.5x6.5 Metalzd |
| C927 | 157F-225M-5-GM | CE 50V 2.2μF 20% RL 4x7 |
| C928 | 157D-106M-5-GM | CE 16V 10μF 20% RL 4x7 |
| C929 | 157F-224M-5-GM | CE 50V 0.22μF 20% RL 4x7 |
| C930 | 150F-223Z-5-UG | CC 50V 0.022μF +80/-20% RL 11x4 |
| C931 | 157B-107M-5-KM | CE 6.3V 100μF 20% RL 6x7 |
| C932, 941 | 150F-223Z-5-UG | CC 50V 0.022μF +80/-20% RL 11x4 |
| C942 | 157D-107M-5-IU | CE 16V 100μF 20% RL 5x11 |
| C943 | 157F-225M-5-GM | CE 50V 2.2μF 20% RL 4x7 |
| C944 | 157F-475M-5-GM | CE 50V 4.7μF 20% RL 4x7 |
| C945 | 150F-101J-5-IF | CC 50V 100pF 5% RL 5x3.5 |
| C946 | 157F-105M-5-GM | CE 50V 1μF 20% RL 4x7 |
| C947 | 157F-474M-5-GM | CE 50V 0.47μF 20% RL 4x7 |
| C948 | 157F-105M-5-GM | CE 50V 1μF 20% RL 4x7 |
| C949-C950 | 150F-223Z-5-UG | CC 50V 0.022μF +80/-20% RL 11x4 |
| C951 | 157F-225M-5-GM | CE 50V 2.2μF 20% RL 4x7 |
| C953-C954 | 153F-272J-5-JM | CM 50V 2700pF 5% RL 5.5x7 |
| C959-C960 | 157D-226M-5-GM | CE 16V 22μF 20% RL 4x7 |
| C961-C962 *AH | 153F-272J-5-JM | CM 50V 2700pF 5% RL 5.5x7 |
| C961-C962 *C | 153F-152J-5-JM | CM 50V 1500pF 5% RL |
| C963-C964 | 157D-226M-5-GM | CE 16V 22μF 20% RL 4x7 |
| C965 | 153F-272J-5-JM | CM 50V 2700pF 5% RL 5.5x7 |
| C967 | 157D-474M-5-II | CE 16V 0.47μF 20% RL 5x5 |
| C968 | 150F-223Z-5-UG | CC 50V 0.022μF +80/-20% RL 11x4 |
| C969 | 157D-476M-5-IM | CE 16V 47μF 20% RL 5x7 |
| C970 | 153F-223J-5-LQ | CM 50V 0.022μF 5% RL 6.5x9 |
| C971 | 15CH-080D-5-GG | CTC 0/60 8pF 0.5pF RL 4x4 |
| C973 | 153F-473J-5-NLM | CM 50V 0.047μF 5% RL 7.5 x6.5 Metalzd |
| C974 | 150F-223Z-5-UG | CC 50V 0.022μF +80/-20% RL 11x4 |
| C975 | 157D-106M-5-GM | CE 16V 10μF 20% RL 4x7 |
| C976 | 150F-223Z-5-UG | CC 50V 0.022μF +80/-20% RL 11x4 |
| C977 | 157F-225M-5-GM | CE 50V 2.2μF 20% RL 4x7 |
| C978 | 150F-223Z-5-UG | CC 50V 0.022μF +80/-20% RL 11x4 |
| C979 | 157D-226M-5-GM | CE 16V 22μF 20% RL 4x7 |
| C981 | 150F-223Z-5-UG | CC 50V 0.022μF +80/-20% RL 11x4 |
| C982 | 150F-101J-5-IF | CC 50V 100pF 5% RL 5x3.5 |
| C985 | 150F-561K-5-GG | CC 50V 560pF 10% RL 4x4 |
| C986 | 157B-107M-5-KM | CE 6.3V 100μF 20% RL 6x7 |
| C987 | 150F-223Z-5-UG | CC 50V 0.022μF +80/-20% RL 11x4 |

| Reference No. | Part No. | Description |
|------------------------|-----------------|---------------------------------|
| C988-C989 | 15CH-300J-5-IG | CTC 0/60 30pF 5% RL 5x4 |
| C990 | 157B-107M-5-KM | CE 6.3V 100μF 20% RL 6x7 |
| C991 | 153F-102J-5-IM | CM 50V 1000pF 5% RL 5x7 |
| C992 | 150F-103K-5-II | CC 50V 0.01μF 10% RL 5x5 |
| ZENERS | | |
| D901 | 4837-4C20-2 | DZ 1/2W 5.0-5.2V AT |
| D902 | 4837-7C20-2 | DZ 1/2W 9.1-9.5V AT |
| SOCKETS | | |
| J703B | 2101-1801-0 | SOCKET (PCB/PCB) 10P P2.0 |
| J704B | 2101-1601-0 | SOCKET (PCB/PCB) 16P P2.0 RA |
| COILS | | |
| L901 | 1801-220K-M | COIL 22μH 10% AL BL7 |
| L903-L904 | 5600-3386-S | COIL MPX LPF NMC-4085 |
| L905 | 1801-101K-M | COIL 100μH 10% |
| L941 | 5600-3396-S | COIL FM DET-1 10.7MHZ NFIF-4081 |
| L942 | 5600-3406-S | COIL FM DET-2 10.7MHZ NFIF-4082 |
| L971 | 5600-3280-G | COIL MW RF BLOCK NMRF-5077 |
| L972 | 5600-3416-S | COIL AM IFT NMIF-4062 |
| L985, R912 | 1801-101K-M | COIL 100μH 10% |
| TUNER FRONT-END | | |
| M901 *AH | 1300-0666-0 | TUNER ENV172D4G1 PANASONIC |
| M901 *C | 1300-0726-0 | TUNER ENV172D3G1 |
| CERAMIC FILTERS | | |
| M902 | 2701-0010-1 | CF10.7 +-30 SFE10.7MA5-A |
| M903 *C | 2701-0010-1 | CF10.7 +-30 SFE10.7MA5-A |
| M904 | 2701-0010-1 | CF10.7 +-30 SFE10.7MA5-A |
| M911 | 2701-0680-0 | CF 450 +-1 SFZ450JL3 MURATA |
| CRYSTALS | | |
| M905 | 2300-0440-0 | CRYSTAL 7.2MHZ 20PPM |
| M985 | 2300-1220-0 | CRYSTAL 4.332MHZ |
| WAFER | | |
| P901 | 2113-1160-0 | WAFER 2P ST. P=2.5 NH (JST) |
| TRANSISTORS | | |
| Q901 *C | 485C-945P-5 | TR 2SC945P HFE 200-400 |
| Q902 | 4851-9230-5 | TR 2SC1923-0 HFE 70-140 |
| Q903 | 485A-114E-5 | TR DTA114ESA ROHM |
| Q922-Q923, Q942 | 4860-1590-5 | TR 2SC1740S (R) HFE180-390 |
| Q943-Q944 | 4860-8120-0 | TR 2SD 1468 S |
| Q945 | 485A-114E-5 | TR DTA114ESA ROHM |
| RESISTORS | | |
| R340* | 4701-104J-C | RCF 1/8W 100K 5% ATS |
| R341* | 4701-331J-C | RCF 1/8W 330R 5% ATS |
| R342* | 4701-104J-C | RCF 1/8W 100K 5% ATS |
| R381 | 4701-331J-C | RCF 1/8W 330R 5% ATS |
| R382 | 4701-104J-C | RCF 1/8W 100K 5% ATS |
| R383 | 4701-331J-C | RCF 1/8W 330R 5% ATS |
| R384 | 4701-104J-C | RCF 1/8W 100K 5% ATS |
| R385 | 4701-331J-C | RCF 1/8W 330R 5% ATS |
| R386 | 4701-104J-C | RCF 1/8W 100K 5% ATS |
| R387 | 4701-331J-C | RCF 1/8W 330R 5% ATS |

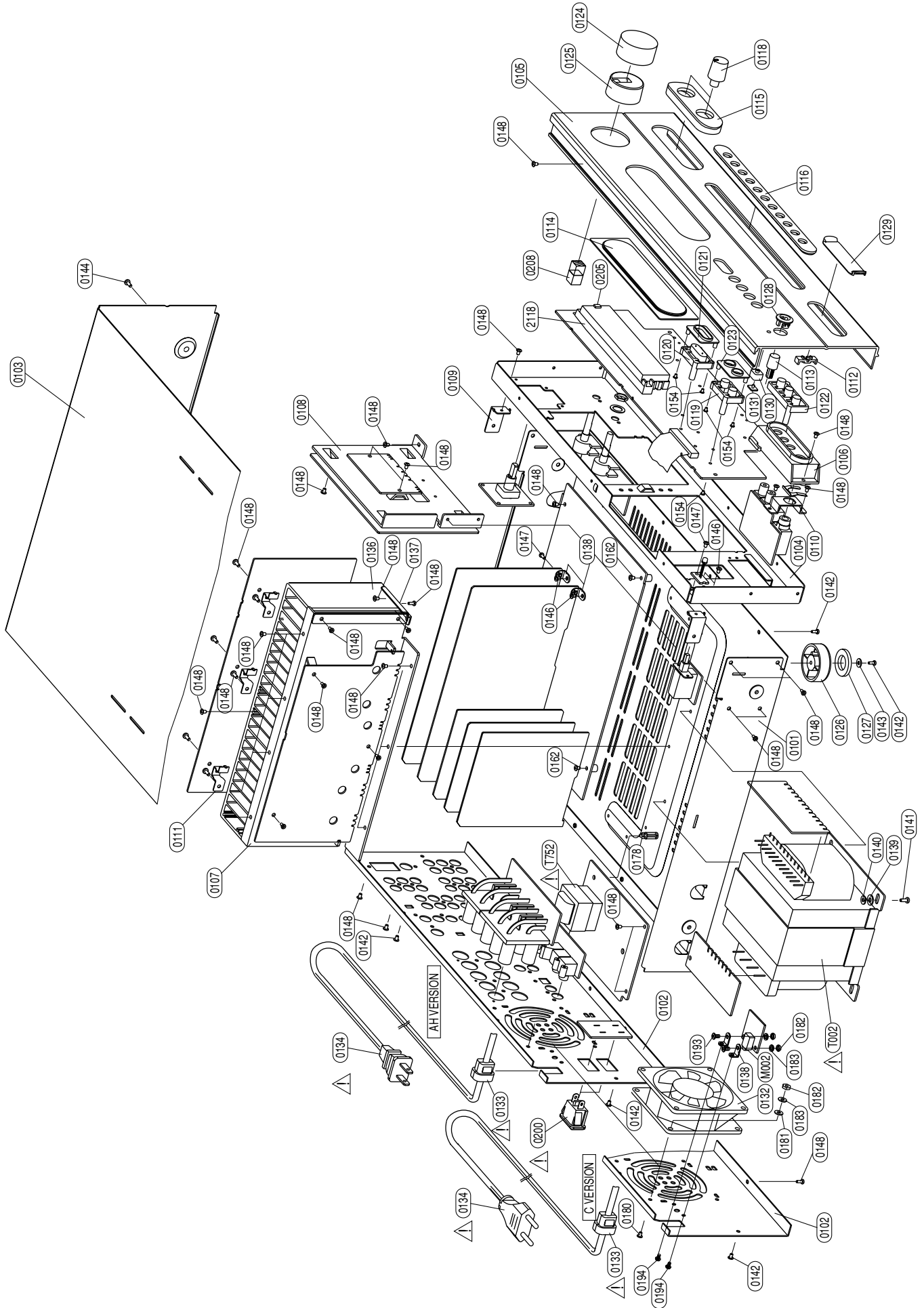
| Reference No. | Part No. | Description |
|-----------------------------|-----------------|-----------------------------------|
| R388 | 4701-104J-C | RCF 1/8W 100K 5% ATS |
| R389 | 4701-331J-C | RCF 1/8W 330R 5% ATS |
| R901 *AH | 4701-332J-C | RCF 1/8W 3.3K 5% ATS |
| R901 *C | 4701-333J-C | RCF 1/8W 33K 5% ATS |
| R902 | 4701-220J-C | RCF 1/8W 22R 5% ATS |
| R903 *AH | 4701-102J-C | RCF 1/8W 1K 5% ATS |
| R903 *C | 4701-123J-C | RCF 1/8W 12K 5% ATS |
| R904 *C | 4701-331J-C | RCF 1/8W 330R 5% ATS |
| R905 *C | 4701-681J-C | RCF 1/8W 680R 5% ATS |
| R906 | 4701-103J-C | RCF 1/8W 10K 5% ATS |
| R907 *C | 4701-332J-C | RCF 1/8W 3.3K 5% ATS |
| R908 *C | 4701-471J-C | RCF 1/8W 470R 5% ATS |
| R909-R910 | 4701-331J-C | RCF 1/8W 330R 5% ATS |
| R911 | 4701-101J-C | RCF 1/8W 100R 5% ATS |
| R913 | 4701-330J-C | RCF 1/8W 33R 5% ATS |
| R915 | 4701-103J-C | RCF 1/8W 10K 5% ATS |
| R916 | 4701-102J-C | RCF 1/8W 1K 5% ATS |
| R918 | 4701-472J-C | RCF 1/8W 4.7K 5% ATS |
| R919-R924 | 4701-102J-C | RCF 1/8W 1K 5% ATS |
| R925-R926 | 4701-820J-C | RCF 1/8W 82R 5% ATS |
| R927 | 4701-103J-C | RCF 1/8W 10K 5% ATS |
| R928 | 4701-221J-C | RCF 1/8W 220R 5% ATS |
| R929 | 4701-332J-C | RCF 1/8W 3.3K 5% ATS |
| R931 | 4701-220J-C | RCF 1/8W 22R 5% ATS |
| R933 | 4701-103J-C | RCF 1/8W 10K 5% ATS |
| R942 | 4701-472J-C | RCF 1/8W 4.7K 5% ATS |
| R943 | 4701-822J-C | RCF 1/8W 8.2K 5% ATS |
| R944 | 4701-104J-C | RCF 1/8W 100K 5% ATS |
| R945 | 4701-392J-C | RCF 1/8W 3.9K 5% ATS |
| R946 | 4701-332J-C | RCF 1/8W 3.3K 5% ATS |
| R947-R948 | 4701-103J-C | RCF 1/8W 10K 5% ATS |
| R949 | 4701-332J-C | RCF 1/8W 3.3K 5% ATS |
| R950 | 4701-684J-C | RCF 1/8W 680K 5% ATS |
| R951 | 4701-102J-C | RCF 1/8W 1K 5% ATS |
| R952-R953 | 4701-223J-C | RCF 1/8W 22K 5% ATS |
| R954 | 4701-103J-C | RCF 1/8W 10K 5% ATS |
| R955 | 4701-220J-C | RCF 1/8W 22R 5% ATS |
| R957-R958 *AH | 4701-332J-C | RCF 1/8W 3.3K 5% ATS |
| R957-R958 *C | 4701-272J-C | RCF 1/8W 2.7K 5% ATS |
| R959-R960 *AH | 4701-683J-C | RCF 1/8W 68K 5% ATS |
| R959-R960 *C | 47001-334J-C | RCF 1/8W 330K 5% ATS |
| R961-R962 | 4701-222J-C | RCF 1/8W 2.2K 5% ATS |
| R963-R964 | 4701-104J-C | RCF 1/8W 100K 5% ATS |
| R968 | 4701-102J-C | RCF 1/8W 1K 5% ATS |
| R971 | 4701-332J-C | RCF 1/8W 3.3K 5% ATS |
| R972 | 4701-103J-C | RCF 1/8W 10K 5% ATS |
| R973 | 4701-183J-C | RCF 1/8W 18K 5% ATS |
| R974 | 4701-104J-C | RCF 1/8W 100K 5% ATS |
| R975 *AH | 4701-333J-C | RCF 1/8W 33K 5% ATS |
| R975 *C | 4701-563J-C | RCF 1/8W 56K % ATS |
| R985-R987 | 4701-102J-C | RCF 1/8W 1K 5% ATS |
| SEMI-FIXED RESISTORS | | |
| R956 | 4756-1036-3-06 | SVR 10K H3 7x7.6 RH0615C |
| R941 | 4756-2236-3-06 | SVR 22K H3 7x7.6 RH0615C |
| ICs | | |
| U901 | 3130-8180-0 | IC LA1837 AM/FM IF |
| U902 | 3131-9040-0 | IC LC72723M RDS DEMODULATOR MFP16 |

| Reference No. | Part No. | Description |
|---|--|---|
| U903 | 3131-3760-0 | IC LC7218 PLL FREQ SYNTHESIZER SANYO |
| <u>VIDEO BOARD ASSEMBLY</u> <u>PC BOARD</u> 1301 | PCB-N0910C-VD | PCB ASSY VIDEO N091XC |
| JACKS 1302 1303 1304 | 2113-1810-0 2113-1811-0 2113-1812-0 | 1P RCA JACK YL GOLD W/SHIELD 4P RCA JACK YL GOLD W/SHIELD 2P RCA JACK YL GOLD W/SHIELD |
| CAPACITORS C441 C450 C459-C461 C464 C466-C467 C468 C470 C476 | 150F-103K-2-FC 150F-223K-2-FD 157F-225M-5-GM 150F-103K-2-FC 157C-477M-5-OU 157D-108M-5-S9 157F-225M-5-GM 157C-477M-5-OU | CC 50V 0.01 μ F 10% AT 3.5x2 CC 50V 0.022 μ F 10% AT 3.2x2.2 CE 50V 2.2 μ F 20% RL 4x7 CC 50V 0.01 μ F 10% AT 3.5x2 CE 10V 470 μ F 20% RL 8x11 CE 16V 1000 μ F 20% RL 10x20 CE 50V 2.2 μ F 20% RL 4x7 CE 10V 470 μ F 20% RL 8x11 |
| DIODES D414-D415 | 4804-1480-C | DIODE 1N4148 ATS |
| SOCKET J708B | 2101-1801-0 | SOCKET (PCB/PCB) 10P P2.0 |
| TRANSISTORS Q428, Q434-Q435 | 485A-933S-5 | TR 2SA933S HFE 120-560 ROHM |
| RESISTORS R439 R460-R461 R464-R466 R483, R491-R493 | 4701-471J-C 4701-121J-C 4701-680J-C 4701-820J-C | RCF 1/8W 470R 5% ATS RCF 1/8W 120R 5% ATS RCF 1/8W 68R 5% ATS RCF 1/8W 82R 5% ATS |
| IC U404 | 3131-3730-0 | IC BA7625 2X5CH MULTIPLEXER ROHM |
| <u>VIDEO-5 BOARD ASSEMBLY</u> <u>PC BOARD</u> 1901 | PCB-N0910C-VD5 | PCB ASSY VIDEO-5 N091XC |
| JACKS 1902 1903 1904 1905 | 2113-1290-0 2113-1291-0 2113-1292-0 2113-1011-0 | 1P RCA YL GOLD PLATED GND 1P RCA WH GOLD PLATED GND 1P RCA RD GOLD PLATED GND PHONE JACK 6312-03-070 W/CLIP |
| CAPACITORS C4101-C4102 C4103 C4104 C4105-C4106 C4107 | 150F-101J-5-IF 157F-225K-5-GM 150F-223Z-5-UG 150F-102K-5-IF 150F-223K-2-FD | CC 50V 100pF 5% RL 5x3.5 CE 50V 2.2 μ F 10% RL 4x7 CC 50V 0.022 μ F +80/-20% RL 11x4 CC 50V 1000pF 10% RL 5x3.5 CC 50V 0.022 μ F 10% AT 3.2x2.2 |
| CONNECTOR J401A | 7711-1320-2004 | CONN.ASSY 11P P2.5 L=320 AWG 26 |

| <u>Reference No.</u> | <u>Part No.</u> | <u>Description</u> |
|---|--|--|
| RESISTORS R4101-R4102 R4103 | 4701-331J-C 4701-820J-C | RCF 1/8W 330R 5% ATS RCF 1/8W 82R 5% ATS |
| <u>VOLUME BOARD ASSEMBLY</u> PC BOARD 2001 | PCB-N0910C-VOL | PCB ASSY VOLUME N091XC |
| WAFER J207B | 2102-031S-004 | 3 PIN ST. WAFER P=2.5 COULOMB |
| ROTARY M301 | 4750-6000-0 | ROTARY ENCODER EC16B2425 ALPS |
| <u>TRIGGER BOARD ASSEMBLY</u> PC BOARD 2002 | PCB-N0970C-PHON | PCB ASSY TRIGGER BOARD N0970C |
| CAPACITORS C001 C002 C003 | 157F-476M-5-LU 157D-106M-5-GM 150F-223K-2-FD | CE 50V 47 μ F 20% RL 6.5x11 CE 16V 10 μ F 20% RL 4x7 CC 50V 0.022 μ F 10% AT 3.2x2.2 |
| WAFERS M001 M001C | 2102-021S-005 7702-1250-2005 | WAFER 2P ST. P=2.5 COULS CN. ASSY 2P P2.5 L=250 |
| JACK M002 | 2113-1179-0 | PHONE JACK D3.5 BK JY-3537-01-140 |
| RESISTORS R001 R002 | 4701-472J-C 4707-100J-2 | RCF 1/8W 4.7K 5% ATS RCF 1/2W 10R 5% AT |
| IC U001 | 3130-2520-3 | IC 7812 12V REGULATOR |

- NOTE:**
- The components identified by \triangle mark are critical for risk of fire and electrical shock. Replace only with part number specified.
 - <*AH > : USA, Canadian model only.
 - <*C > : European model only.
 - Capacitors : CP-Polystyrene, CM-Mylar, CE-Electrolytic, CC-Ceramic, CTC-NPO.
 - Resistors : RMF-Metal Film, RCF-Carbon Film, RWR-Wirewound Metal Oxide Film, RMG-1/10W SMD 0805, RCFA-Thick Film Resistor Network.

EXPLODED VIEW



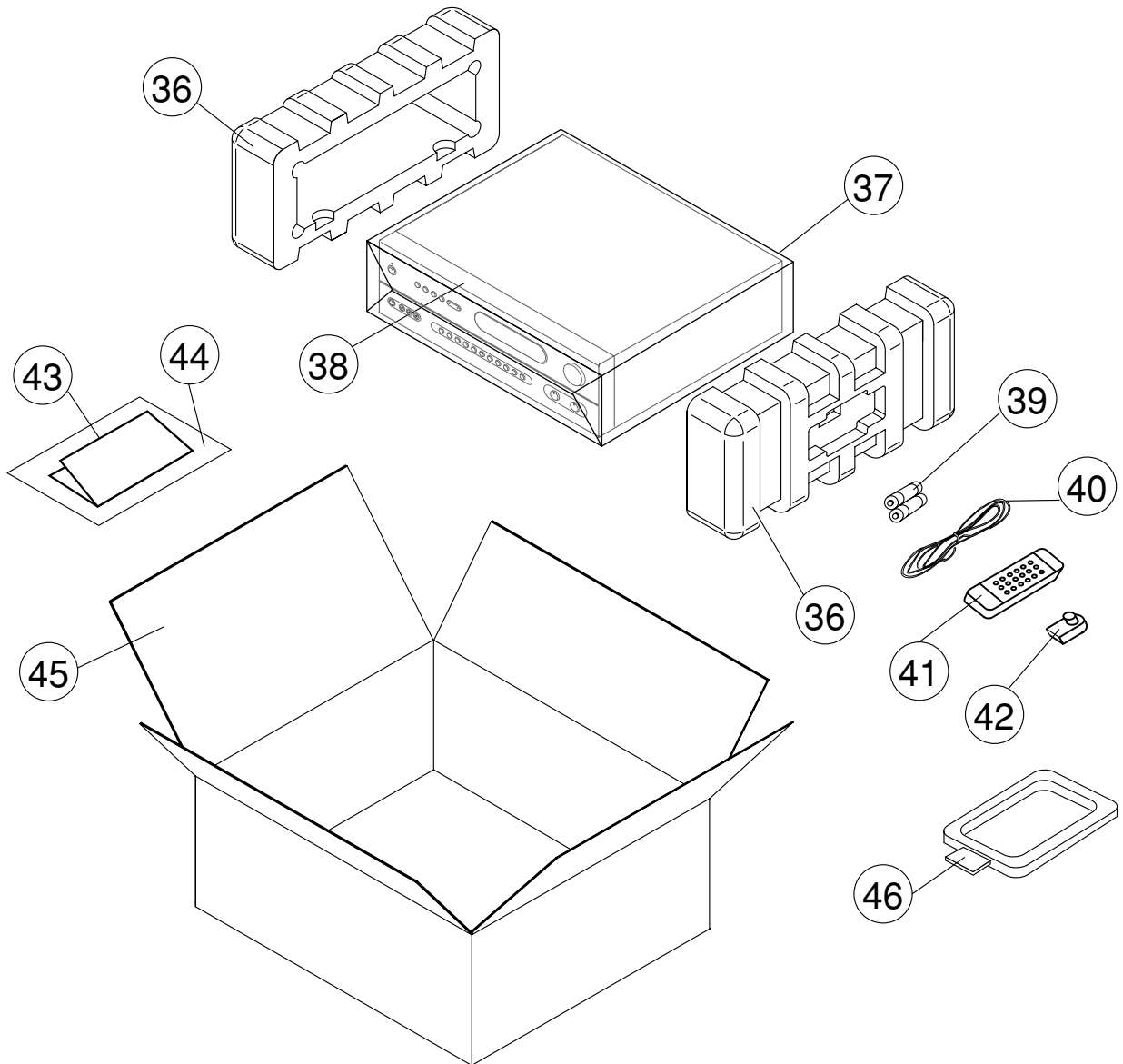
EXPLODED VIEW PARTS LIST

| <u>ITEM</u> | <u>Part No.</u> | <u>Description</u> | <u>Qty</u> |
|-------------|-----------------|---|------------|
| 0101 | 1403-5160-1 | BOTTOM CHASSIS | 1 |
| 0102*AH | 1403-6360-0 | REAR PANEL 120V | 1 |
| 0102*C | 1403-6361-0 | REAR PANEL 230V | 1 |
| 0103 | 1403-5180-0 | TOP COVER | 1 |
| 0104 | 1403-5190-2 | SUB-FASCIA | 1 |
| 0105 | 1403-6350-0 | FASCIA | 1 |
| 0106 | 4154-0301-0 | FRONT INPUT BEZEL | 1 |
| 0107 | 4134-9031-0 | SURR BOARD BRACKET | 1 |
| 0108 | 4134-9041-0 | AC3 BOARD BRACKET | 1 |
| 0109 | 4134-9051-0 | ANGLE BRACKET | 2 |
| 0110 | 4134-9061-0 | PHONES BRACKET | 1 |
| 0111 | 4134-9071-0 | PCB MOUNTING BRACKET | 5 |
| 0112 | 4154-0311-0 | DUMMY CLAMP | 1 |
| 0113 | 2444-1601-0 | POWER BUTTON GREEN LONG | 1 |
| 0114 | 3716-4401-0 | WINDOW LENS | 1 |
| 0115 | 4154-0321-0 | TONE CONTROL LOZENGE | 1 |
| 0116 | 4152-4341-0 | INPUT BUTTON LOZENGE | 1 |
| 0118 | 2444-1801-0 | TONE KNOB LONG | 2 |
| 0119 | 2444-1901-0 | DUO BUTTON | 2 |
| 0120 | 2444-1301-1 | BUTTON RACKER | 1 |
| 0121 | 4154-0091-0 | BEZEL RACKER | 1 |
| 0122 | 2444-2101-0 | INPUT BUTTON | 4 |
| 0123 | 4154-0411-0 | BEZEL DUO | 2 |
| 0124 | 4134-9081-0 | VOLUME KNOB SKIN | 1 |
| 0125 | 4154-0341-0 | VOLUME KNOB CORE | 1 |
| 0126 | 4152-4631-0 | RUBBER FOOT 14MM HIGH | 4 |
| 0127 | 4152-4641-0 | CUSHION FOOT | 4 |
| 0128 | 4152-4331-0 | POWER BUTTON BEZEL | 1 |
| 0129 | 4154-0331-0 | VIDEO COVER | 1 |
| 0130 | 4152-1701-0 | LED BEZEL | 1 |
| 0131 | 3714-5706-0 | LED LENS | 1 |
| 0132 | 8900-3040-0 | DC FAN 12V 80X80MM | 1 |
| 0133 | △ 4152-3851-0 | SQ. STRAIN RELIEF BUSHING | 1 |
| 0134*AH | △ 7009-3100-2 | AC CORD 18AWGX2 SPT-2UL/CSA D.INSULATED | 1 |
| 0134*C | △ 7009-3110-0 | AC CORD SEMKO | 1 |
| 0136 | 5400-9051-0 | HEATSINK | 1 |
| 0137 | 4134-0121-0 | HEATSINK MOUNTING BRACKET | 2 |
| 0138 | 4152-0451-0 | L-BRACKET | 4 |
| 0139 | 2600-4008-0973 | FLAT WASHER M4X0.8X9.7 BZ | 4 |
| 0140 | 2607-4010-0703 | SPRING WASHER M4X1X7 BZ | 4 |
| 0141 | 2904-4010-3000 | MACHINE SCREW 4X10MM(BLK.ZN) | 4 |
| 0142 | 2954-3008-3000 | TAPPING SCREW 3X8MM B-TITE(BLK.ZN) | 34 |
| 0143 | 2842-3367-0 | METAL WASHER ID=3.3 OD=6.7 | 4 |
| 0144 | 2900-4006-3010 | M4X0.5PX6MM W/FLAT WASHER | 6 |
| 0146 | 2904-3008-0000 | M3X8MM B-TITL (YEL.ZN) | 38 |

| ITEM | Part No. | Description | Qty |
|---------------------|-----------------|--------------------------------|------------|
| 0147 | 2954-3006-0000 | 3X6MM B-TITL (YEL.ZN) | 3 |
| 0148 | 2954-3008-0000 | TAPPING 3X8MM B-TITL (YEL.ZN) | 58 |
| 0154 | 2954-2606-3000 | SCREW BH 2.6X6 BLACK | 23 |
| 0162 | 2904-3006-0000 | SCREW M3X6 | 3 |
| 0178 | 4152-5831-0 | PCB SUPPORT 12MM HIGH | 1 |
| 0180 | 2904-3010-3000 | SCREW M3X10 (BLK) | 4 |
| 0181 | 2600-3005-0800 | METAL WASHER M3X0.5X8MM ZNC | 4 |
| 0182 | 2640-3022-0540 | M3 NUT | 6 |
| 0183 | 2607-3007-0550 | SPRING WASHER | 6 |
| 0193 | 2900-3008-3000 | SCREW M3X8 PM BZ | 2 |
| 0194 | 2954-3006-3000 | 3X6MM B-TITL | 2 |
| 0200*AH \triangle | 2113-1662-0 | AC INLET 2 PIN 15A 125VAC | 2 |
| 0205 | 4152-3291-1 | FOAM 6X4X1.5T MM | 1 |
| 0208 | 4152-1161-0 | FOAM RUBBER 10X10X10 BK W/TAPE | 2 |
| 2118 | 4152-5741-0 | FL HOLDER | 1 |
| T752 \triangle | 1806-2311-0 | TRANSFORMER 12VAC | 1 |
| T002 \triangle | 1806-3581-0 | TRANSFORMER EI105 | 1 |

- NOTE:**
- The components identified by \triangle mark are critical for risk of fire and electrical shock. Replace only with part number specified.
 - <*AH > : USA, Canadian model only.
 - <*C > : European model only.

PACKING DIAGRAM



| ITEM | PART NO. | DESCRIPTION | Q'TY |
|-------|-------------|--------------------------|------|
| 36 | 1490-2783-2 | POLYFORM ENDCAP | 2 |
| 37 | 1497-1072-4 | UNIT POLYBAG | 1 |
| 38 | 1497-1162-0 | FASCIA COVER | 1 |
| 39 | 4060-0530-0 | BATTERIES | 2 |
| 40 | 2107-0661-1 | 300 OHM T ANTENNA | 1 |
| 41 | 8900-9710-1 | REMOTE CONTROL HANDSET | 1 |
| 42*AH | 2103-6101-0 | RF CONNECTOR PLUG | 1 |
| 42*C | 2103-6201-0 | RF CONNECTOR PLUG | 1 |
| 43-1 | 4301-4108-1 | OWNER'S MANUAL (GB,F,D) | 1 |
| 43-2 | 4301-4109-1 | OWNER'S MANUAL (E,I,S,P) | 1 |
| 44 | 1497-1062-0 | MANUAL POLYBAG | 1 |
| 45 | 1478-1000-1 | CARTON BOX | 1 |
| 46 | 2113-1155-0 | AM LOOP ANTENNA | 1 |

Proprietary information for servicing purposes only. The information herein may not be used commercially without the prior written agreement of NAD Electronics International, Toronto, Canada.

SERVICE MANUAL

T 751

SURROUND
SOUND RECEIVER

© NAD 2001

NAD ELECTRONICS INTERNATIONAL
TORONTO