

# LM158QML

*LM158QML Low Power Dual Operational Amplifiers*



Literature Number: SNOSAP3E

# LM158QML

## Low Power Dual Operational Amplifiers

### General Description

The LM158 series consists of two independent, high gain, internally frequency compensated operational amplifiers which were designed specifically to operate from a single power supply over a wide range of voltages. Operation from split power supplies is also possible and the low power supply current drain is independent of the magnitude of the power supply voltage.

Application areas include transducer amplifiers, dc gain blocks and all the conventional op amp circuits which now can be more easily implemented in single power supply systems. For example, the LM158 series can be directly operated off of the standard +5V power supply voltage which is used in digital systems and will easily provide the required interface electronics without requiring the additional  $\pm 15V$  power supplies.

### Unique Characteristics

- In the linear mode the input common-mode voltage range includes ground and the output voltage can also swing to ground, even though operated from only a single power supply voltage.
- The unity gain cross frequency is temperature compensated.
- The input bias current is also temperature compensated.

### Advantages

- Two internally compensated op amps
- Eliminates need for dual supplies
- Allows direct sensing near Gnd and  $V_O$  also goes to Gnd
- Compatible with all forms of logic
- Power drain suitable for battery operation

### Features

- Available with radiation guarantee
  - High Dose Rate 100 krad(Si)
  - ELDRS Free 100 krad(Si)
- Internally frequency compensated for unity gain
- Large dc voltage gain: 100 dB
- Wide bandwidth (unity gain): 1 MHz (temperature compensated)
- Wide power supply range:
  - Single supply: 3V to 32V
  - or dual supplies:  $\pm 1.5V$  to  $\pm 16V$
- Very low supply current drain (500  $\mu A$ ) – essentially independent of supply voltage
- Low input offset voltage: 2 mV
- Input common-mode voltage range includes ground
- Differential input voltage range equal to the power supply voltage
- Large output voltage swing: 0V to  $V^+ - 1.5V$

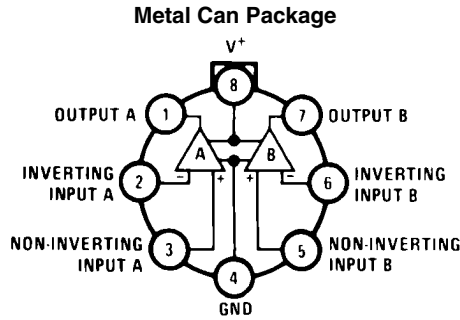
### Ordering Information

NS Part Number	SMD Part Number	NS Package Number	Package Description
LM158H/883		H08C	8LD T0–99 Metal Can
LM158J/883	5962–8771001PA	J08A	8LD Ceramic DIP
LM158H-SMD	5962–8771001GA	H08C	8LD T0–99 Metal Can
LM158AH/883	5962–8771002GA	H08C	8LD T0–99 Metal Can
LM158AJ/883	5962–8771002PA	J08A	8LD Ceramic DIP
LM158AWG/883	5962–8771002QXA	WG10A	10LD Ceramic SOIC
LM158AHRQMLV <b>HIGH DOSE RATE ONLY</b> (Note 11)	5962R8771002VGA 100 krad(Si)	H08C	8LD T0–99 Metal Can
LM158AJ-QMLV	5962–8771002VPA	J08A	8LD Ceramic DIP
LM158AJRQMLV <b>HIGH DOSE RATE ONLY</b> (Note 11)	5962R8771002VPA 100 krad(Si)	J08A	8LD Ceramic DIP
LM158AWGRQMLV <b>HIGH DOSE RATE ONLY</b> (Note 11)	5962R8771002VXA 100 krad(Si)	WG10A	10LD Ceramic SOIC
LM158A MDR <b>HIGH DOSE RATE ONLY DIE</b> (Notes 1, 11)	5962R8771002V9A 100 krad(Si)		
LM158AHRQMLV <b>ELDRS FREE ONLY</b> (Note 12)	5962R8771003VGA 100 krad(Si)	H08C	8LD T0–99 Metal Can
LM158AJRLQMLV <b>ELDRS FREE ONLY</b> (Note 12)	5962R8771003VPA 100 krad(Si)	J08A	8LD Ceramic DIP

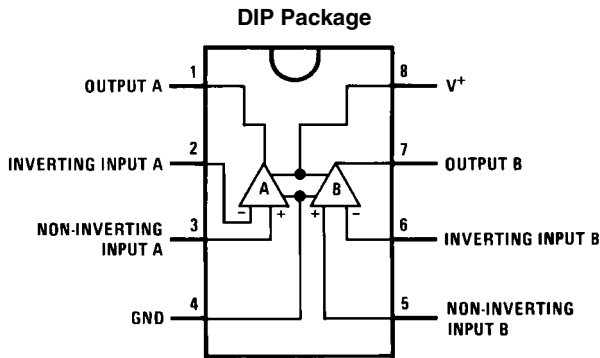
NS Part Number	SMD Part Number	NS Package Number	Package Description
LM158AWGRLQMLV ELDRS FREE ONLY (Note 12)	5962R8771003VXA 100 krad(Si)	WG10A	10LD Ceramic SOIC
LM158A MDE ELDRS FREE ONLY DIE (Notes 1, 12)	5962R8771003V9A 100 krad(Si)		

Note 1: FOR ADDITIONAL DIE INFORMATION, PLEASE VISIT THE HI REL WEB SITE AT: [www.national.com/analog/space/level\\_die](http://www.national.com/analog/space/level_die)

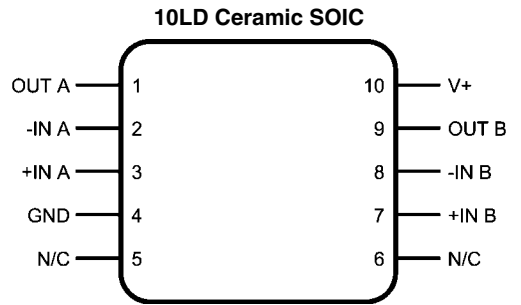
## Connection Diagrams



**Top View**  
See NS Package Number H08C



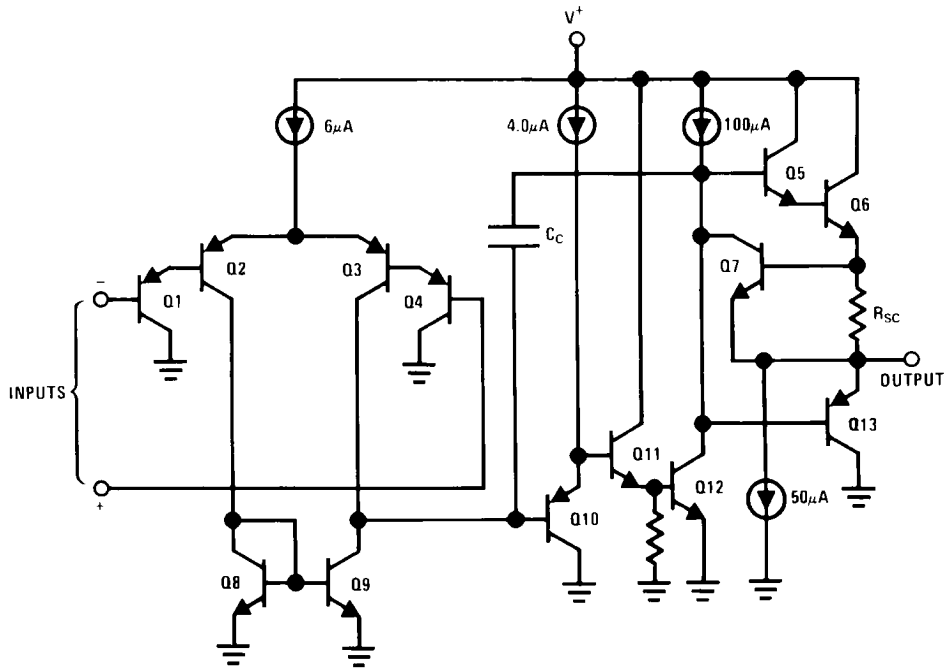
**Top View**  
See NS Package Number J08A



**Top View**  
See NS Package Number WG10A

# Schematic Diagram

(Each Amplifier)



20150203

## Absolute Maximum Ratings (Note 2)

Supply Voltage, $V^+$	$32V_{DC}$
Differential Input Voltage	$32V_{DC}$
Input Voltage	$-0.3V_{DC}$ to $+32V_{DC}$
Power Dissipation (Note 3)	830 mW
Output Short-Circuit to GND(Note 4) (One Amplifier)	Continuous
$V^+ \leq 15V_{DC}$ and $T_A = 25^\circ C$	
Maximum Junction Temperature ( $T_{Jmax}$ )	$150^\circ C$
Input Current ( $V_I < -0.3V$ )(Note 5)	50 mA
Operating Temperature Range	$-55^\circ C \leq T_A \leq +125^\circ C$
Storage Temperature Range	$-65^\circ C \leq T_A \leq +150^\circ C$
Lead Temperature (Soldering, 10 seconds)	
Metal Can	$300^\circ C$
Ceramic DIP	$260^\circ C$
Ceramic SOIC	$260^\circ C$
Thermal Resistance	
$\theta_{JA}$	
Metal Can (Still Air)	$155^\circ C/W$
Metal Can (500LF/Min Air Flow)	$80^\circ C/W$
Ceramic DIP (Still Air)	$132^\circ C/W$
Ceramic DIP (500LF/Min Air Flow)	$81^\circ C/W$
Ceramic SOIC (Still Air)	$195^\circ C/W$
Ceramic SOIC (500LF/Min Air Flow)	$131^\circ C/W$
$\theta_{JC}$	
Metal Can	$42^\circ C/W$
Ceramic DIP	$23^\circ C/W$
Ceramic SOIC	$33^\circ C/W$
Package Weight	
Metal Can	1,000mg
Ceramic DIP	1,100mg
Ceramic SOIC	220mg
ESD Tolerance (Note 8)	250V

## Quality Conformance Inspection

Mil-Std-883, Method 5005 - Group A

Subgroup	Description	Temp °C
1	Static tests at	+25
2	Static tests at	+125
3	Static tests at	-55
4	Dynamic tests at	+25
5	Dynamic tests at	+125
6	Dynamic tests at	-55
7	Functional tests at	+25
8A	Functional tests at	+125
8B	Functional tests at	-55
9	Switching tests at	+25
10	Switching tests at	+125
11	Switching tests at	-55
12	Settling time at	+25
13	Settling time at	+125
14	Settling time at	-55

# LM158 Electrical Characteristics SMD 5962–8771001

## DC Parameters

The following conditions apply, unless otherwise specified. All voltages referenced to device ground.

Symbol	Parameter	Conditions	Notes	Min	Max	Units	Sub-groups
$I_{CC}$	Power Supply Current	$+V_{CC} = 5V, R_L = 100K,$ $V_O = 1.4V$			1.2	mA	1, 2, 3
		$+V_{CC} = 30V, R_L = 100K,$ $V_O = 1.4V$			3.0	mA	1
						4.0	mA
$V_{OH}$	Output Voltage High	$+V_{CC} = 30V, R_L = 2K\Omega$		26		V	1, 2, 3
		$+V_{CC} = 30V, R_L = 10K\Omega$		27		V	1, 2, 3
$V_{OL}$	Output Voltage Low	$+V_{CC} = 30V, R_L = 10K\Omega$			20	mV	1, 2, 3
		$+V_{CC} = 30V, I_{Sink} = 1\mu A$			20	mV	1, 2, 3
		$+V_{CC} = 5V, R_L = 10K\Omega$			20	mV	1, 2, 3
$I_{Sink}$	Output Sink Current	$+V_{CC} = 15V, V_O = 200mV,$ $+V_I = 0V, -V_I = +65mV$		12		$\mu A$	1
		$+V_{CC} = 15V, V_O = 2V,$ $+V_I = 0V, -V_I = +65mV$		10		mA	1
				5.0		mA	2, 3
$I_{Source}$	Output Source Current	$+V_{CC} = 15V, V_O = 2V,$ $+V_I = 0V, -V_I = -65mV$			-20	mA	1
					-10	mA	2, 3
$I_{OS}$	Short Circuit Current	$+V_{CC} = 5V, V_O = 0V$		-60		mA	1
$V_{IO}$	Input Offset Voltage	$+V_{CC} = 30V, V_{CM} = 0V,$ $R_S = 50\Omega, V_O = 1.4V$		-5.0	5.0	mV	1
				-7.0	7.0	mV	2, 3
		$+V_{CC} = 30V, V_{CM} = 28.5V,$ $R_S = 50\Omega, V_O = 1.4V$		-5.0	5.0	mV	1
				-7.0	7.0	mV	2, 3
		$+V_{CC} = 5V, V_{CM} = 0V,$ $R_S = 50\Omega, V_O = 1.4V$		-5.0	5.0	mV	1
		-7.0	7.0	mV	2, 3		
CMRR	Common Mode Rejection Ratio	$+V_{CC} = 30V, R_S = 50\Omega$ $V_I = 0V$ to 28.5V,		70		dB	1
$\pm I_{IB}$	Input Bias Current	$+V_{CC} = 5V, V_{CM} = 0V$	(Note 6)	-150	-1.0	nA	1
			(Note 6)	-300	-1.0	nA	2, 3
$I_{IO}$	Input Offset Current	$+V_{CC} = 5V, V_{CM} = 0V$		-30	30	nA	1
				-100	100	nA	2, 3
PSRR	Power Supply Rejection Ratio	$+V_{CC} = 5V$ to 30V, $V_{CM} = 0V$		65		dB	1
$V_{CM}$	Common Mode Voltage Range	$+V_{CC} = 30V$	(Note 7), (Note 9)		28.5	V	1
			(Note 7), (Note 9)		28.0	V	2, 3
$V_{Diff}$	Differential Input Voltage		(Note 10)		32	V	1, 2, 3
$A_{VS}$	Large Signal Gain	$+V_{CC} = 15V, R_L = 2K\Omega,$ $V_O = 1V$ to 11V		50		V/mV	4
				25		V/mV	5, 6

# LM158A Electrical Characteristics SMD 5962–8771002, High Dose Rate

## DC Parameters

The following conditions apply, unless otherwise specified. All voltages referenced to device ground.

Symbol	Parameter	Conditions	Notes	Min	Max	Units	Sub-groups
I <sub>CC</sub>	Power Supply Current	+V <sub>CC</sub> = 5V, R <sub>L</sub> = 100K, V <sub>O</sub> = 1.4V			1.2	mA	1, 2, 3
		+V <sub>CC</sub> = 30V, R <sub>L</sub> = 100K, V <sub>O</sub> = 1.4V			3.0	mA	1
					4.0	mA	2, 3
V <sub>OH</sub>	Output Voltage High	+V <sub>CC</sub> = 30V, R <sub>L</sub> = 2KΩ		26		V	1, 2, 3
		+V <sub>CC</sub> = 30V, R <sub>L</sub> = 10KΩ		27		V	1, 2, 3
V <sub>OL</sub>	Output Voltage Low	+V <sub>CC</sub> = 30V, R <sub>L</sub> = 10KΩ			40	mV	1
					100	mV	2, 3
		+V <sub>CC</sub> = 30V, I <sub>Sink</sub> = 1μA			40	mV	1
					100	mV	2, 3
		+V <sub>CC</sub> = 5V, R <sub>L</sub> = 10KΩ			40	mV	1
					100	mV	2, 3
I <sub>Sink</sub>	Output Sink Current	+V <sub>CC</sub> = 15V, V <sub>O</sub> = 200mV, +V <sub>I</sub> = 0V, -V <sub>I</sub> = +65mV		12		μA	1
		+V <sub>CC</sub> = 15V, V <sub>O</sub> = 2V, +V <sub>I</sub> = 0V, -V <sub>I</sub> = +65mV		10		mA	1
				5.0		mA	2, 3
I <sub>Source</sub>	Output Source Current	+V <sub>CC</sub> = 15V, V <sub>O</sub> = 2V, +V <sub>I</sub> = 0V, -V <sub>I</sub> = -65mV			-20	mA	1
					-10	mA	2, 3
I <sub>OS</sub>	Short Circuit Current	+V <sub>CC</sub> = 5V, V <sub>O</sub> = 0V		-60		mA	1
V <sub>IO</sub>	Input Offset Voltage	+V <sub>CC</sub> = 30V, V <sub>CM</sub> = 0V, R <sub>S</sub> = 50Ω, V <sub>O</sub> = 1.4V		-2.0	2.0	mV	1
				-4.0	4.0	mV	2, 3
		+V <sub>CC</sub> = 30V, V <sub>CM</sub> = 28.5V, R <sub>S</sub> = 50Ω, V <sub>O</sub> = 1.4V		-2.0	2.0	mV	1
		+V <sub>CC</sub> = 30V, V <sub>CM</sub> = 28V, R <sub>S</sub> = 50Ω, V <sub>O</sub> = 1.4V		-4.0	4.0	mV	2, 3
		+V <sub>CC</sub> = 5V, V <sub>CM</sub> = 0V, R <sub>S</sub> = 50Ω, V <sub>O</sub> = 1.4V		-2.0	2.0	mV	1
				-4.0	4.0	mV	2, 3
CMRR	Common Mode Rejection Ratio	+V <sub>CC</sub> = 30V, R <sub>S</sub> = 50Ω, V <sub>I</sub> = 0V to 28.5V,		70		dB	1
±I <sub>IB</sub>	Input Bias Current	+V <sub>CC</sub> = 5V, V <sub>CM</sub> = 0V	(Note 6)	-50	-1.0	nA	1
			(Note 6)	-100	-1.0	nA	2, 3
I <sub>IO</sub>	Input Offset Current	+V <sub>CC</sub> = 5V, V <sub>CM</sub> = 0V		-10	10	nA	1
				-30	30	nA	2, 3
PSRR	Power Supply Rejection Ratio	+V <sub>CC</sub> = 5V to 30V, V <sub>CM</sub> = 0V		65		dB	1
V <sub>CM</sub>	Common Mode Voltage Range	+V <sub>CC</sub> = 30V	(Notes 7, 9)		28.5	V	1
			(Notes 7, 9)		28.0	V	2, 3
V <sub>Diff</sub>	Differential Input Voltage		(Note 10)		32	V	1, 2, 3
A <sub>VS</sub>	Large Signal Gain	+V <sub>CC</sub> = 15V, R <sub>L</sub> = 2KΩ, V <sub>O</sub> = 1V to 11V		50		V/mV	4
				25		V/mV	5, 6

## SMD 5962–8771002, High Dose Rate DC Drift Parameters

The following conditions apply, unless otherwise specified. All voltages referenced to device ground.  
Delta calculations are performed on QMLV devices at Group B, Subgroup 5 only.

Symbol	Parameter	Conditions	Notes	Min	Max	Units	Sub-groups
$V_{IO}$	Input Offset Voltage	$+V_{CC} = 30V, V_{CM} = 0V,$ $R_S = 50\Omega, V_O = 1.4V$		-0.5	0.5	mV	1
		$+V_{CC} = 30V, V_{CM} = 28.5V,$ $R_S = 50\Omega, V_O = 1.4V$		-0.5	0.5	mV	1
		$+V_{CC} = 5V, V_{CM} = 0V,$ $R_S = 50\Omega, V_O = 1.4V$		-0.5	0.5	mV	1
$\pm I_{IB}$	Input Bias Current	$+V_{CC} = 5V, V_{CM} = 0V$	(Note 6)	-10	10	nA	1

## SMD 5962–8771002, High Dose Rate 100K Post Radiation Limits @ +25°C (Note 11) DC Parameters

The following conditions apply, unless otherwise specified. All voltages referenced to device ground.

Symbol	Parameter	Conditions	Notes	Min	Max	Units	Sub-groups
$V_{IO}$	Input Offset Voltage	$+V_{CC} = 30V, V_{CM} = 0V,$ $R_S = 50\Omega, V_O = 1.4V$	(Note 11)	-4.0	4.0	mV	1
		$+V_{CC} = 30V, V_{CM} = 28.5V,$ $R_S = 50\Omega, V_O = 1.4V$	(Note 11)	-4.0	4.0	mV	1
		$+V_{CC} = 5V, V_{CM} = 0V,$ $R_S = 50\Omega, V_O = 1.4V$	(Note 11)	-4.0	4.0	mV	1
$\pm I_{IB}$	Input Bias Current	$+V_{CC} = 5V, V_{CM} = 0V$	(Notes 6, 11)	-60	-1.0	nA	1
$I_{CC}$	Power Supply Current	$+V_{CC} = 5V, R_L = 100K,$ $V_O = 1.4V$	(Note 11)		1.5	mA	1



# LM158A Electrical Characteristics SMD 5962–8771003 ELDRS Free Only

## DC Parameters

The following conditions apply, unless otherwise specified. All voltages referenced to device ground.

Symbol	Parameter	Conditions	Notes	Min	Max	Units	Sub-groups
$I_{CC}$	Power Supply Current	$+V_{CC} = 5V, R_L = 100K, V_O = 1.4V$			1.2	mA	1, 2, 3
		$+V_{CC} = 30V, R_L = 100K, V_O = 1.4V$			3.0 4.0	mA	1, 2, 3
$V_{OH}$	Output Voltage High	$+V_{CC} = 30V, R_L = 2K\Omega$		26		V	1, 2, 3
		$+V_{CC} = 30V, R_L = 10K\Omega$		27		V	1, 2, 3
$V_{OL}$	Output Voltage Low	$+V_{CC} = 30V, R_L = 10K\Omega$			40	mV	1
					100	mV	2, 3
		$+V_{CC} = 30V, I_{Sink} = 1\mu A$			40	mV	1
					100	mV	2, 3
			$+V_{CC} = 5V, R_L = 10K\Omega$			40	mV
		100		mV	2, 3		
$I_{Sink}$	Output Sink Current	$+V_{CC} = 15V, V_O = 200mV, +V_I = 0V, -V_I = +65mV$		12		$\mu A$	1
		$+V_{CC} = 15V, V_O = 2V, +V_I = 0V, -V_I = +65mV$		10		mA	1
				5.0		mA	2, 3
$I_{Source}$	Output Source Current	$+V_{CC} = 15V, V_O = 2V, +V_I = 0V, -V_I = -65mV$			-20	mA	1
					-10	mA	2, 3
$I_{OS}$	Short Circuit Current	$+V_{CC} = 5V, V_O = 0V$		-60		mA	1
$V_{IO}$	Input Offset Voltage	$+V_{CC} = 30V, V_{CM} = 0V, R_S = 50\Omega, V_O = 1.4V$		-2.0	2.0	mV	1
				-4.0	4.0	mV	2, 3
		$+V_{CC} = 30V, V_{CM} = 28.5V, R_S = 50\Omega, V_O = 1.4V$		-2.0	2.0	mV	1
		$+V_{CC} = 30V, V_{CM} = 28V, R_S = 50\Omega, V_O = 1.4V$		-4.0	4.0	mV	2, 3
		$+V_{CC} = 5V, V_{CM} = 0V, R_S = 50\Omega, V_O = 1.4V$		-2.0	2.0	mV	1
	-4.0		4.0	mV	2, 3		
CMRR	Common Mode Rejection Ratio	$+V_{CC} = 30V, R_S = 50\Omega, V_I = 0V \text{ to } 28.5V,$		70		dB	1
$\pm I_{IB}$	Input Bias Current	$+V_{CC} = 5V, V_{CM} = 0V$	(Note 6)	-50	-1.0	nA	1
			(Note 6)	-100	-1.0	nA	2, 3
$I_{IO}$	Input Offset Current	$+V_{CC} = 5V, V_{CM} = 0V$		-10	10	nA	1
				-30	30	nA	2, 3
PSRR	Power Supply Rejection Ratio	$+V_{CC} = 5V \text{ to } 30V, V_{CM} = 0V$		65		dB	1
$V_{CM}$	Common Mode Voltage Range	$+V_{CC} = 30V$	(Note 7), (Note 9)		28.5	V	1
			(Note 7), (Note 9)		28.0	V	2, 3
$V_{Diff}$	Differential Input Voltage		(Note 10)		32	V	1, 2, 3
$A_{VS}$	Large Signal Gain	$+V_{CC} = 15V, R_L = 2K\Omega, V_O = 1V \text{ to } 11V$		50		V/mV	4
				25		V/mV	5, 6

## SMD 5962–8771003, ELDRS Free Only DC Drift Parameters

The following conditions apply, unless otherwise specified. All voltages referenced to device ground.  
Delta calculations are performed on QMLV devices at Group B, Subgroup 5 only.

Symbol	Parameter	Conditions	Notes	Min	Max	Units	Sub-groups
$V_{IO}$	Input Offset Voltage	$+V_{CC} = 30V, V_{CM} = 0V,$ $R_S = 50\Omega, V_O = 1.4V$		-0.5	0.5	mV	1
		$+V_{CC} = 30V, V_{CM} = 28.5V,$ $R_S = 50\Omega, V_O = 1.4V$		-0.5	0.5	mV	1
		$+V_{CC} = 5V, V_{CM} = 0V,$ $R_S = 50\Omega, V_O = 1.4V$		-0.5	0.5	mV	1
$\pm I_{IB}$	Input Bias Current	$+V_{CC} = 5V, V_{CM} = 0V$	(Note 6)	-10	10	nA	1

## SMD 5962–8771003, ELDRS Free Only 100K Post Radiation Limits @ +25°C (Note 12) DC Parameters

The following conditions apply, unless otherwise specified. All voltages referenced to device ground.

Symbol	Parameter	Conditions	Notes	Min	Max	Units	Sub-groups
$V_{IO}$	Input Offset Voltage	$+V_{CC} = 30V, V_{CM} = 0V,$ $R_S = 50\Omega, V_O = 1.4V$	(Note 12)	-4.0	4.0	mV	1
		$+V_{CC} = 30V, V_{CM} = 28.5V,$ $R_S = 50\Omega, V_O = 1.4V$	(Note 12)	-4.0	4.0	mV	1
		$+V_{CC} = 5V, V_{CM} = 0V,$ $R_S = 50\Omega, V_O = 1.4V$	(Note 12)	-4.0	4.0	mV	1
$\pm I_{IB}$	Input Bias Current	$+V_{CC} = 5V, V_{CM} = 0V$	(Notes 6, 12)	-60	-1.0	nA	1

**Note 2:** Absolute Maximum Ratings indicate limits beyond which damage to the device may occur. Operating Ratings indicate conditions for which the device is functional, but do not guarantee specific performance limits. For guaranteed specifications and test conditions, see the Electrical Characteristics. The guaranteed specifications apply only for the test conditions listed. Some performance characteristics may degrade when the device is not operated under the listed test conditions.

**Note 3:** The maximum power dissipation must be derated at elevated temperatures and is dictated by  $T_{Jmax}$  (maximum junction temperature),  $\theta_{JA}$  (package junction to ambient thermal resistance), and  $T_A$  (ambient temperature). The maximum allowable power dissipation at any temperature is  $P_{Dmax} = (T_{Jmax} - T_A) / \theta_{JA}$  or the number given in the Absolute Maximum Ratings, whichever is lower.

**Note 4:** Short circuits from the output to  $V^+$  can cause excessive heating and eventual destruction. When considering short circuits to ground, the maximum output current is approximately 40 mA independent of the magnitude of  $V^+$ . At values of supply voltage in excess of +15V, continuous short-circuits can exceed the power dissipation ratings and cause eventual destruction. Destructive dissipation can result from simultaneous shorts on all amplifiers.

**Note 5:** This input current will only exist when the voltage at any of the input leads is driven negative. It is due to the collector-base junction of the input PNP transistors becoming forward biased and thereby acting as input diode clamps. In addition to this diode action, there is also lateral NPN parasitic transistor action on the IC chip. This transistor action can cause the output voltages of the op amps to go to the  $V^+$  voltage level (or to ground for a large overdrive) for the time duration that an input is driven negative. This is not destructive and normal output states will re-establish when the input voltage, which was negative, again returns to a value greater than  $-0.3V$  (at 25°C).

**Note 6:** The direction of the input current is out of the IC due to the PNP input stage. This current is essentially constant, independent of the state of the output so no loading change exists on the input lines.

**Note 7:** The input common-mode voltage of either input signal voltage should not be allowed to go negative by more than 0.3V (at 25°C). The upper end of the common-mode voltage range is  $V^+ - 1.5V$  (at 25°C), but either or both inputs can go to +32V without damage, independent of the magnitude of  $V^+$ .

**Note 8:** Human body model, 1.5 k $\Omega$  in series with 100 pF.

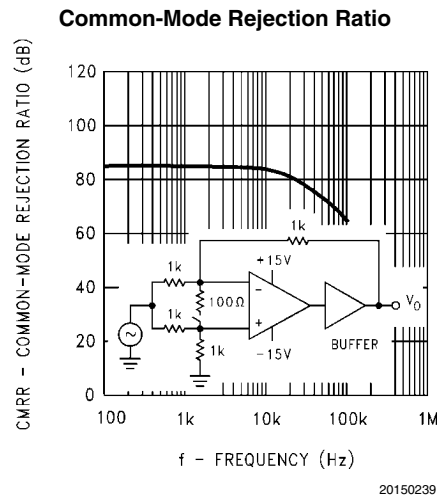
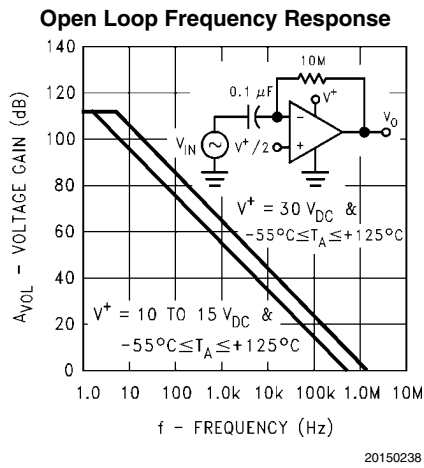
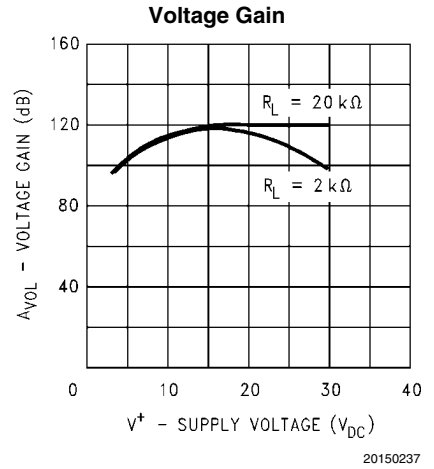
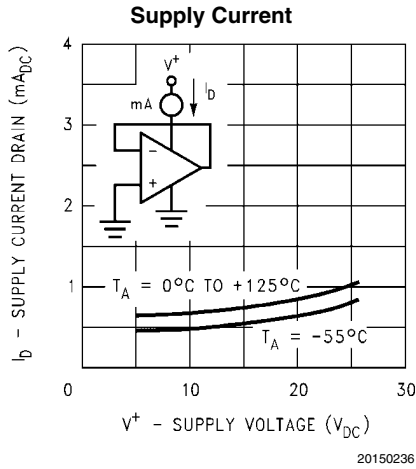
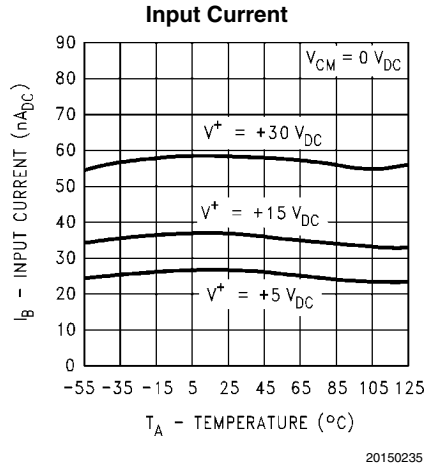
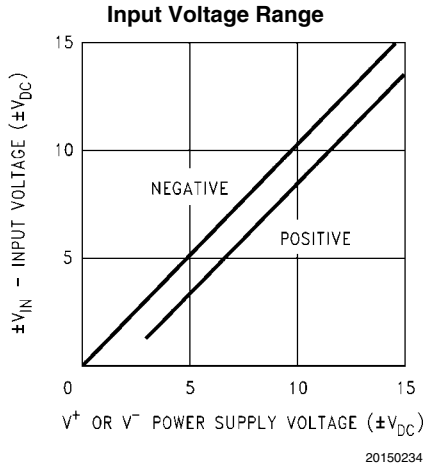
**Note 9:** Guaranteed by input offset voltage.

**Note 10:** Guaranteed parameter not tested.

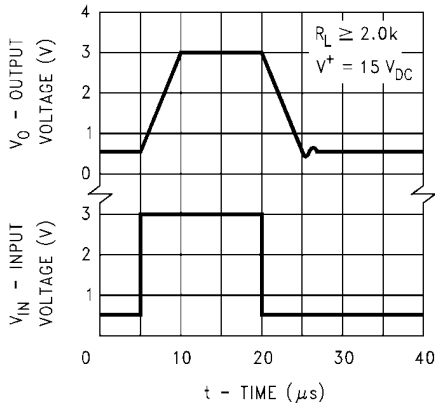
**Note 11:** Pre and post irradiation limits are identical to those listed under AC and DC electrical characteristics except as listed in the Post Radiation Limits Table. These parts may be dose rate sensitive in a space environment and demonstrate enhanced low dose rate sensitivity. Radiation end point limits for the noted parameters are guaranteed only for the conditions as specified in MIL-STD-883, per Test Method 1019, Condition A.

**Note 12:** Pre and post irradiation limits are identical to those listed under AC and DC electrical characteristics except as listed in the Post Radiation Limits Table. These parts may be sensitive in a high dose environment. Low dose rate testing has been performed on a wafer-by-wafer basis, per Test Method 1019, Condition D of MIL-STD-883, with no enhanced low dose rate sensitivity (ELDRS).

# Typical Performance Characteristics

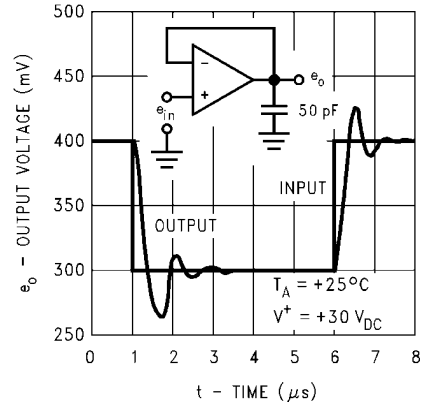


**Voltage Follower Pulse Response**



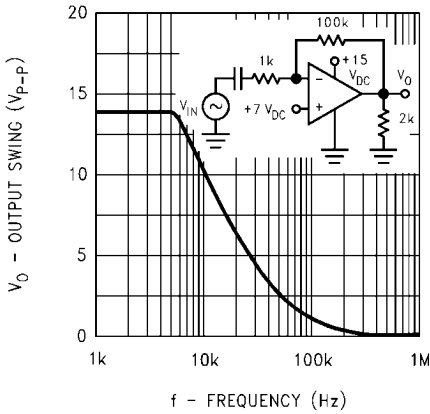
20150240

**Voltage Follower Pulse Response (Small Signal)**



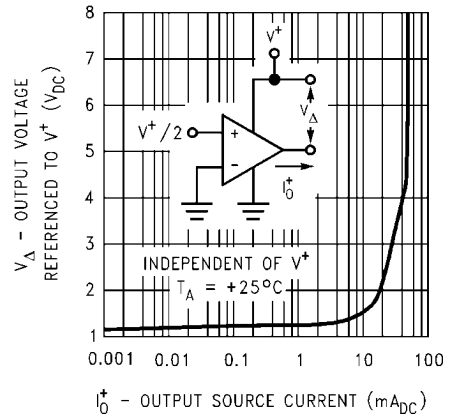
20150241

**Large Signal Frequency Response**



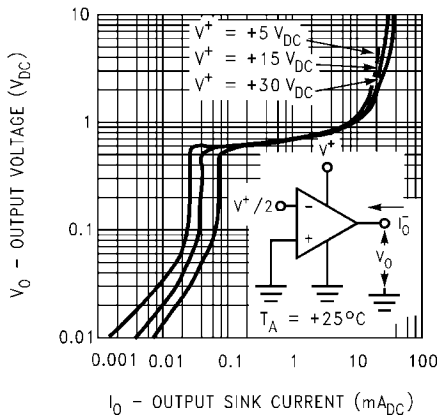
20150242

**Output Characteristics Current Sourcing**



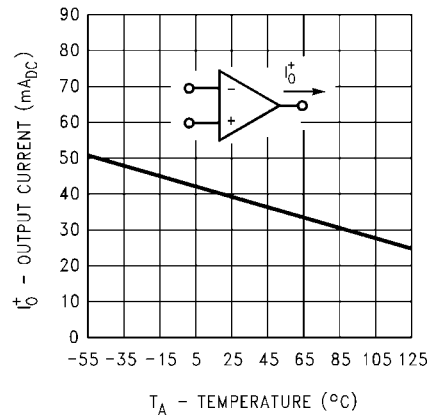
20150243

**Output Characteristics Current Sinking**



20150244

**Current Limiting**



20150245

## Application Hints

The LM158 series are op amps which operate with only a single power supply voltage, have true-differential inputs, and remain in the linear mode with an input common-mode voltage of  $0 V_{DC}$ . These amplifiers operate over a wide range of power supply voltage with little change in performance characteristics. At  $25^{\circ}\text{C}$  amplifier operation is possible down to a minimum supply voltage of  $2.3 V_{DC}$ .

Precautions should be taken to insure that the power supply for the integrated circuit never becomes reversed in polarity or that the unit is not inadvertently installed backwards in a test socket as an unlimited current surge through the resulting forward diode within the IC could cause fusing of the internal conductors and result in a destroyed unit.

Large differential input voltages can be easily accommodated and, as input differential voltage protection diodes are not needed, no large input currents result from large differential input voltages. The differential input voltage may be larger than  $V^+$  without damaging the device. Protection should be provided to prevent the input voltages from going negative more than  $-0.3 V_{DC}$  (at  $25^{\circ}\text{C}$ ). An input clamp diode with a resistor to the IC input terminal can be used.

To reduce the power supply current drain, the amplifiers have a class A output stage for small signal levels which converts to class B in a large signal mode. This allows the amplifiers to both source and sink large output currents. Therefore both NPN and PNP external current boost transistors can be used to extend the power capability of the basic amplifiers. The output voltage needs to raise approximately 1 diode drop above ground to bias the on-chip vertical PNP transistor for output current sinking applications.

For ac applications, where the load is capacitively coupled to the output of the amplifier, a resistor should be used, from the output of the amplifier to ground to increase the class A bias current and prevent crossover distortion. Where the load is directly coupled, as in dc applications, there is no crossover distortion.

Capacitive loads which are applied directly to the output of the amplifier reduce the loop stability margin. Values of 50 pF can be accommodated using the worst-case non-inverting unity gain connection. Large closed loop gains or resistive isolation should be used if larger load capacitance must be driven by the amplifier.

The bias network of the LM158 establishes a drain current which is independent of the magnitude of the power supply voltage over the range of  $3 V_{DC}$  to  $30 V_{DC}$ .

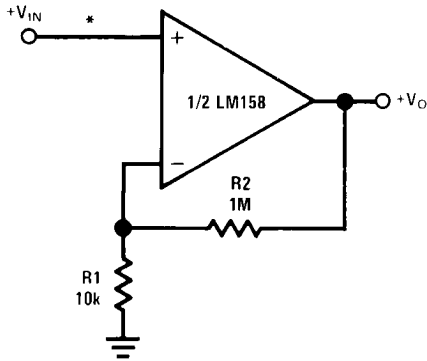
Output short circuits either to ground or to the positive power supply should be of short time duration. Units can be destroyed, not as a result of the short circuit current causing metal fusing, but rather due to the large increase in IC chip dissipation which will cause eventual failure due to excessive junction temperatures. Putting direct short-circuits on more than one amplifier at a time will increase the total IC power dissipation to destructive levels, if not properly protected with external dissipation limiting resistors in series with the output leads of the amplifiers. The larger value of output source current which is available at  $25^{\circ}\text{C}$  provides a larger output current capability at elevated temperatures (see typical performance characteristics) than a standard IC op amp.

The circuits presented in the section on typical applications emphasize operation on only a single power supply voltage. If complementary power supplies are available, all of the standard op amp circuits can be used. In general, introducing a pseudo-ground (a bias voltage reference of  $V^+/2$ ) will allow operation above and below this value in single power supply systems. Many application circuits are shown which take advantage of the wide input common-mode voltage range which includes ground. In most cases, input biasing is not required and input voltages which range to ground can easily be accommodated.

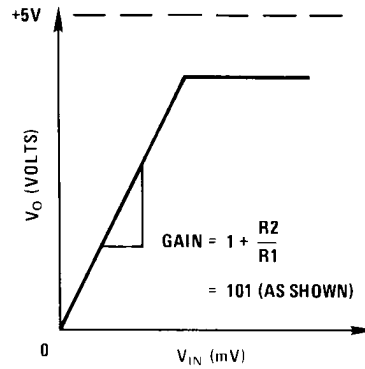
# Typical Single-Supply Applications

( $V^+ = 5.0 V_{DC}$ )

## Non-Inverting DC Gain (0V Output)



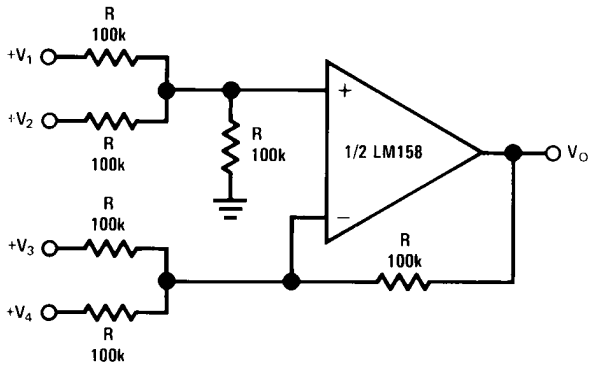
20150206



20150207

\*R not needed due to temperature independent  $I_{IN}$

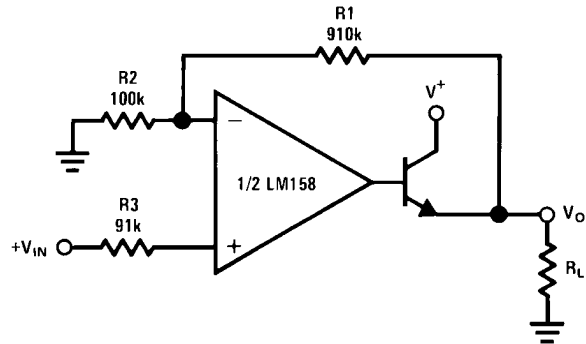
## DC Summing Amplifier ( $V_{IN'S} \geq 0 V_{DC}$ and $V_O \geq 0 V_{DC}$ )



20150208

Where:  $V_O = V_1 + V_2 - V_3 - V_4$   
 $(V_1 + V_2) \geq (V_3 + V_4)$  to keep  $V_O > 0 V_{DC}$

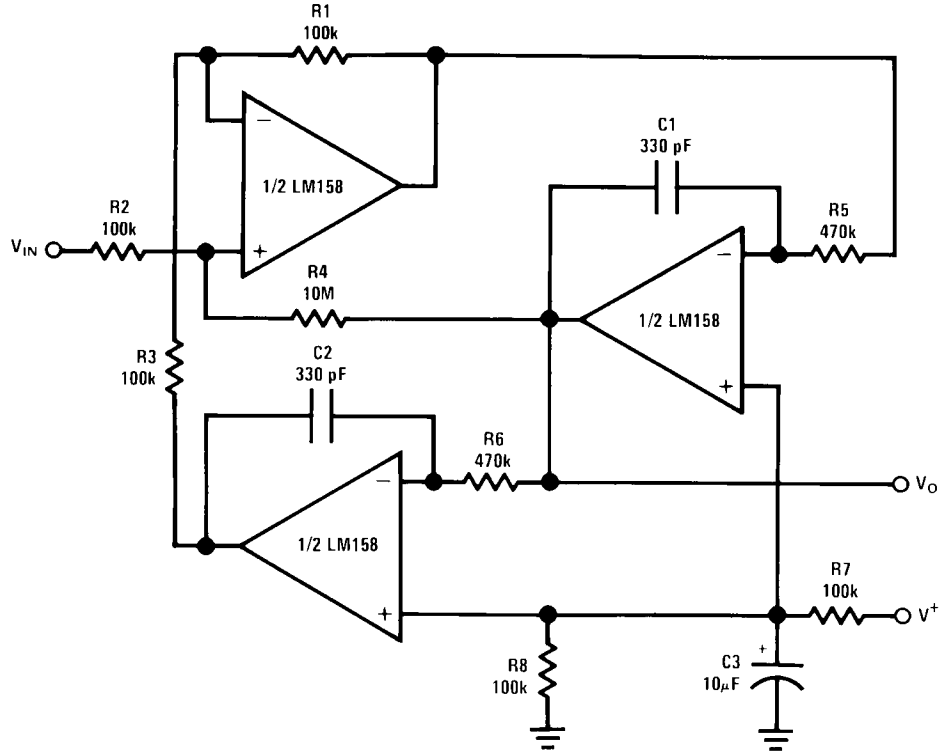
## Power Amplifier



20150209

$V_O = 0 V_{DC}$  for  $V_{IN} = 0 V_{DC}$   
 $A_V = 10$

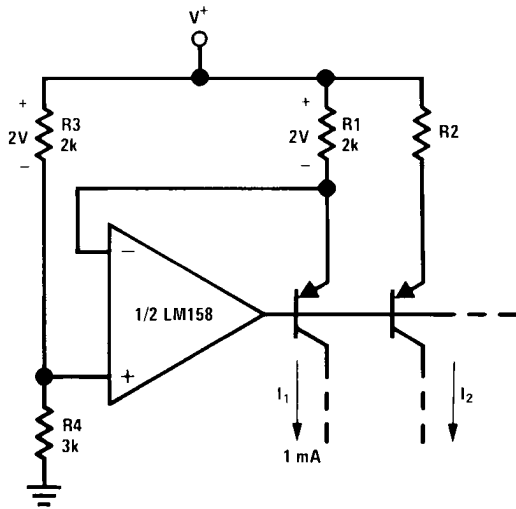
"BI-QUAD" RC Active Bandpass Filter



20150210

$f_o = 1 \text{ kHz}$   
 $Q = 50$   
 $A_v = 100 \text{ (40 dB)}$

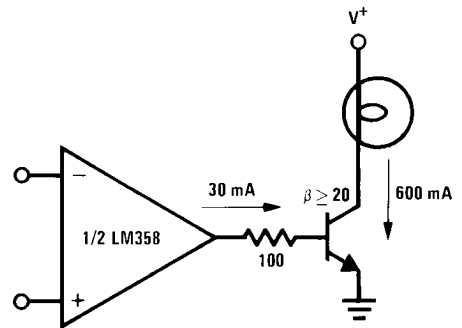
Fixed Current Sources



20150211

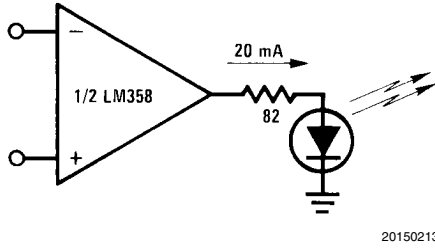
$$I_2 = \left( \frac{R_1}{R_2} \right) I_1$$

Lamp Driver

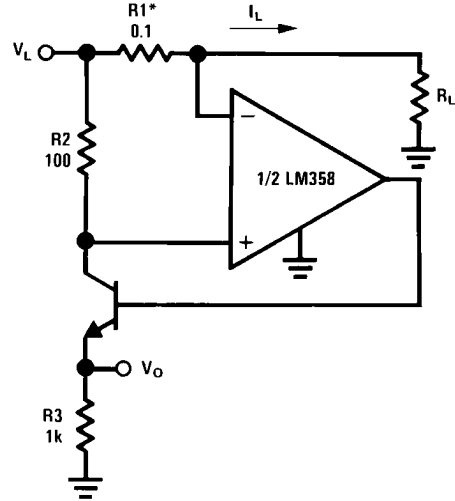


20150212

**LED Driver**



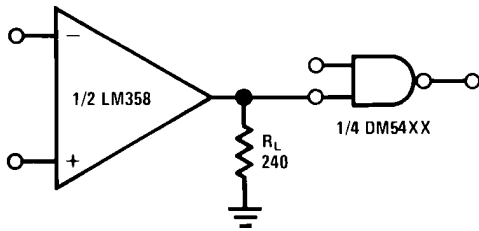
**Current Monitor**



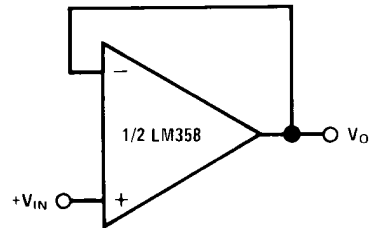
$$V_O = \frac{1V(I_L)}{1A}$$

\*(Increase R1 for I<sub>L</sub> small)  
V<sub>L</sub> ≤ V<sub>+</sub> - 2V

**Driving TTL**

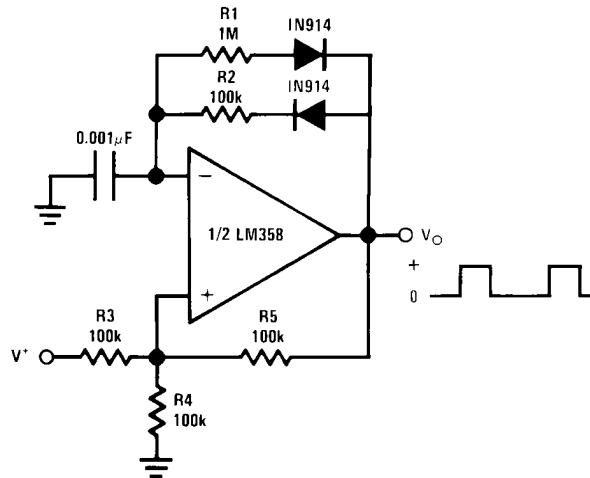


**Voltage Follower**



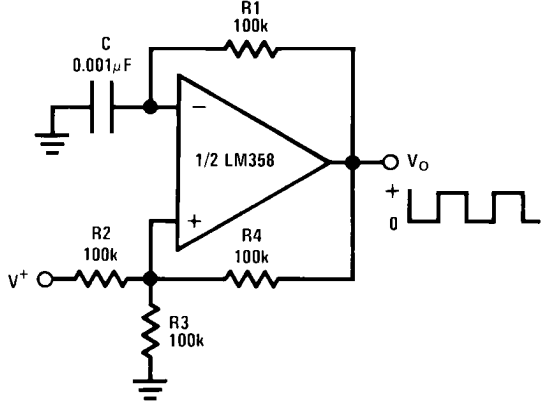
$$V_O = V_{IN}$$

**Pulse Generator**



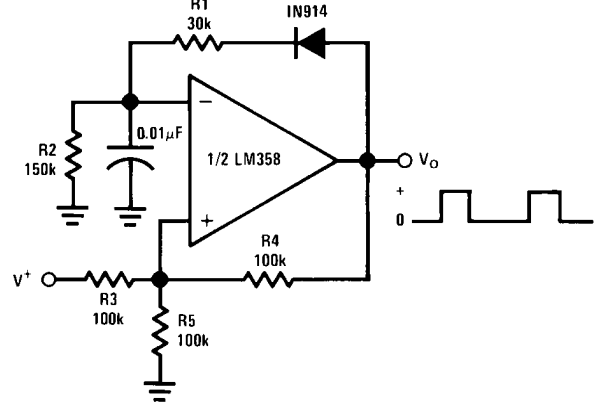


Squarewave Oscillator



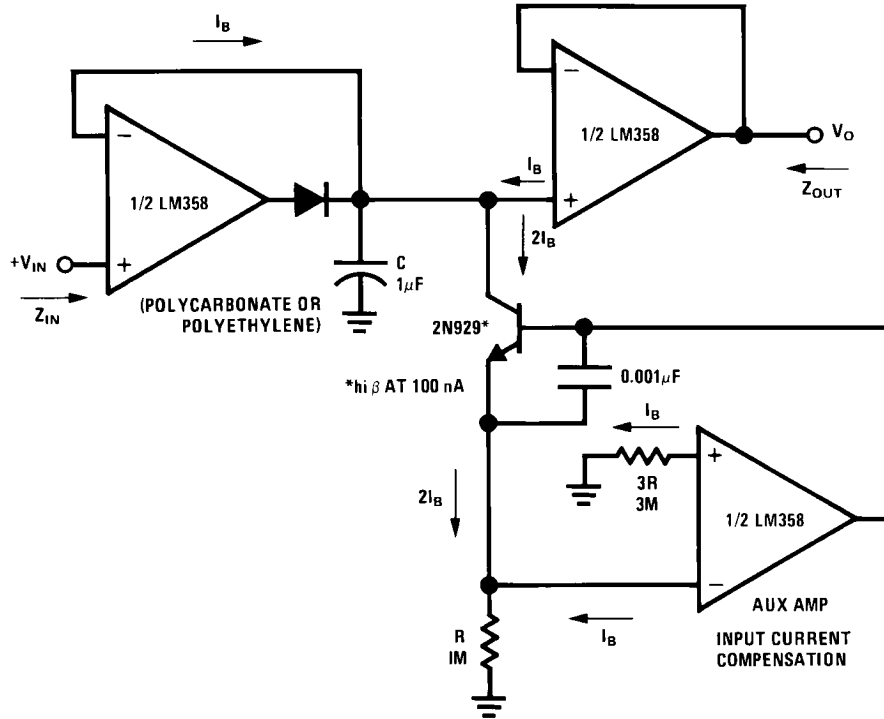
20150218

Pulse Generator



20150219

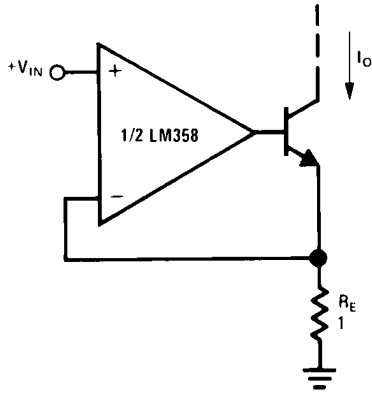
Low Drift Peak Detector



20150220

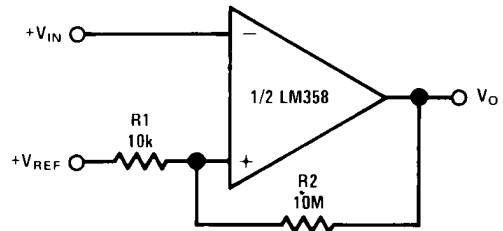
HIGH  $Z_{IN}$   
LOW  $Z_{OUT}$

**High Compliance Current Sink**



20150221

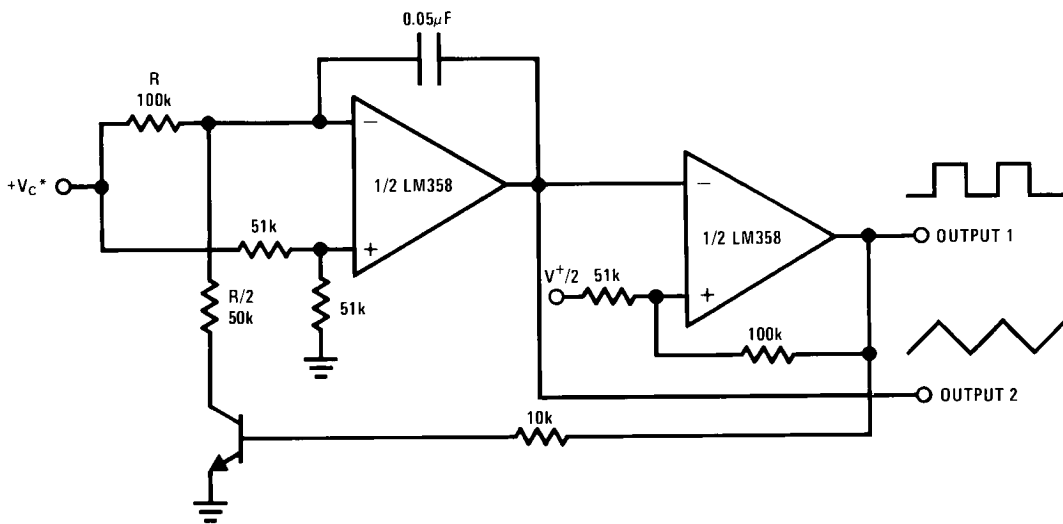
**Comparator with Hysteresis**



20150222

$I_O = 1 \text{ amp/volt } V_{IN}$   
 (Increase  $R_E$  for  $I_O$  small)

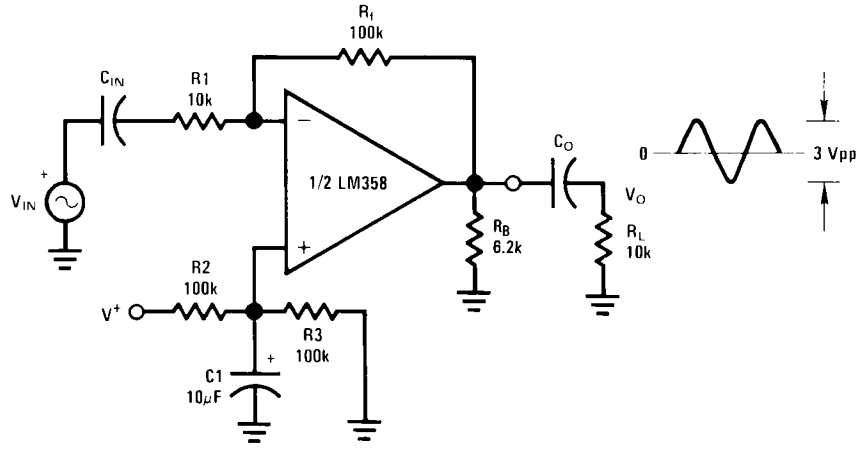
**Voltage Controlled Oscillator (VCO)**



20150223

\*WIDE CONTROL VOLTAGE RANGE:  $0 V_{DC} \leq V_C \leq 2 (V^+ - 1.5V_{DC})$

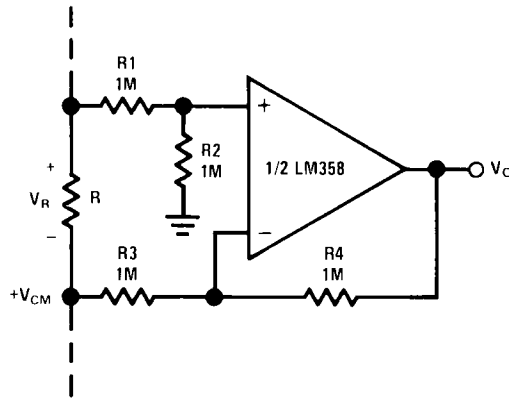
AC Coupled Inverting Amplifier



20150224

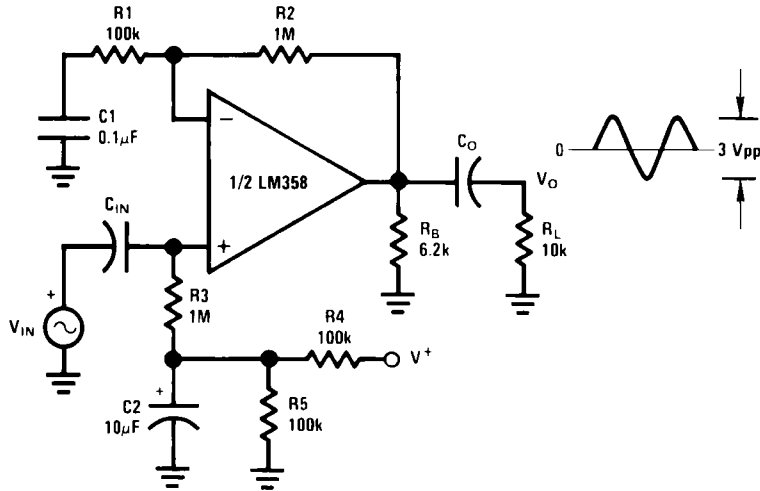
$$A_V = \frac{R_f}{R_1} \text{ (As shown, } A_V = 10 \text{)}$$

Ground Referencing a Differential Input Signal



20150225

AC Coupled Non-Inverting Amplifier

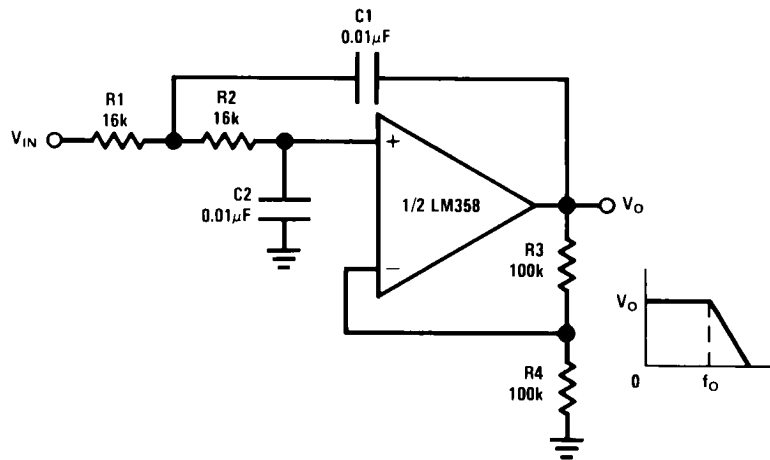


20150226

$$A_V = 1 + \frac{R_2}{R_1}$$

$A_V = 11$  (As Shown)

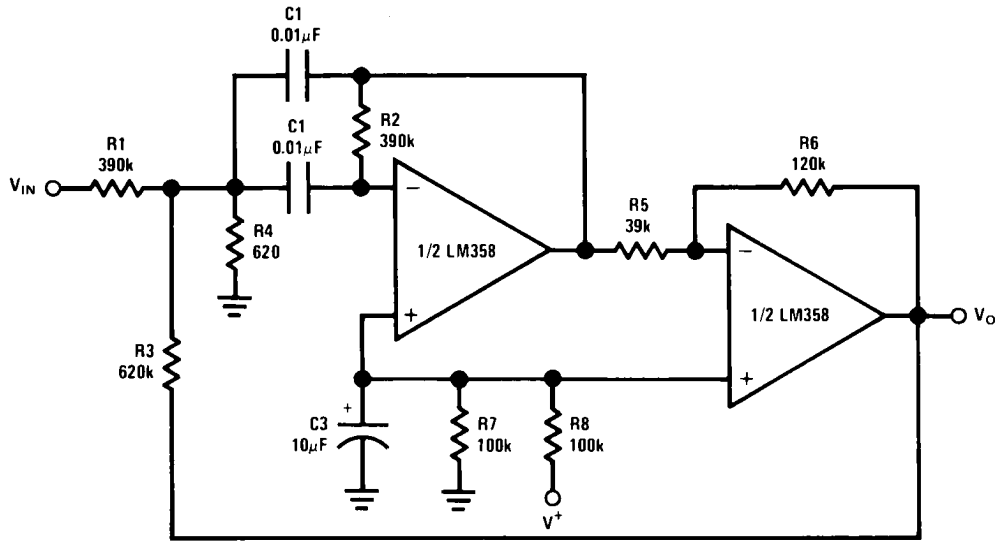
DC Coupled Low-Pass RC Active Filter



20150227

$f_o = 1$  kHz  
 $Q = 1$   
 $A_V = 2$

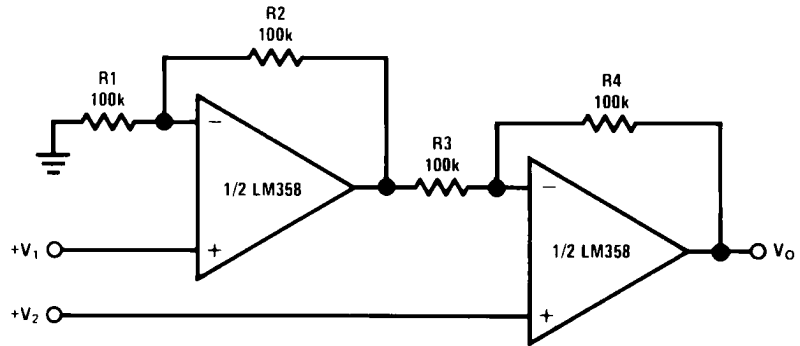
**Bandpass Active Filter**



20150228

$f_o = 1 \text{ kHz}$   
 $Q = 25$

**High Input Z, DC Differential Amplifier**



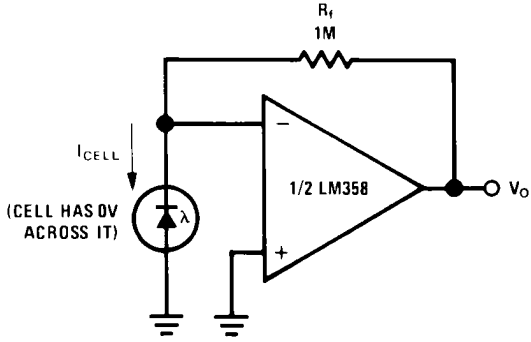
20150229

For  $\frac{R1}{R2} = \frac{R4}{R3}$  (CMRR depends on this resistor ratio match)

$$V_O = 1 + \frac{R4}{R3} (V_2 - V_1)$$

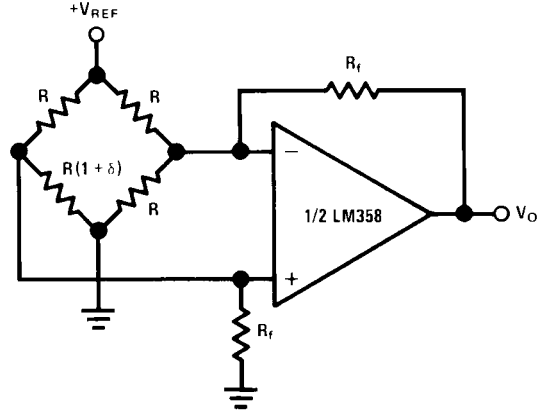
As Shown:  $V_O = 2 (V_2 - V_1)$

**Photo Voltaic-Cell Amplifier**



20150230

**Bridge Current Amplifier**

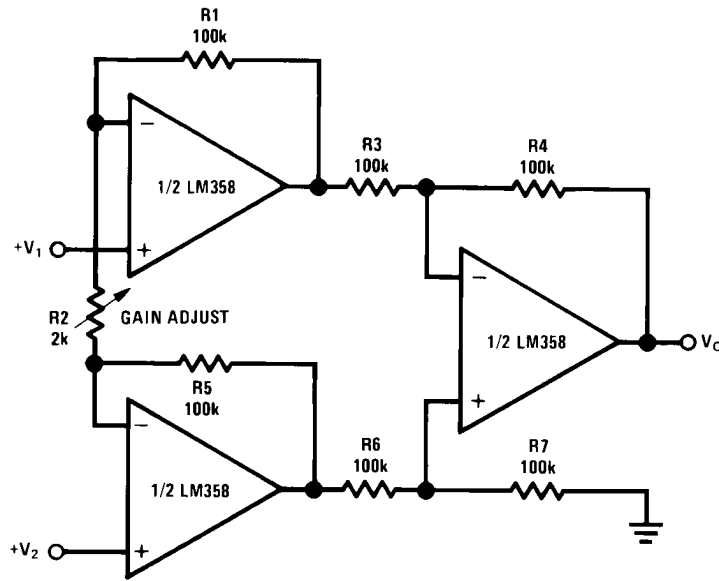


20150233

For  $\delta \ll 1$  and  $R_f \gg R$

$$V_O \approx V_{REF} \left( \frac{\delta}{2} \right) \frac{R_f}{R}$$

**High Input Z Adjustable-Gain DC Instrumentation Amplifier**



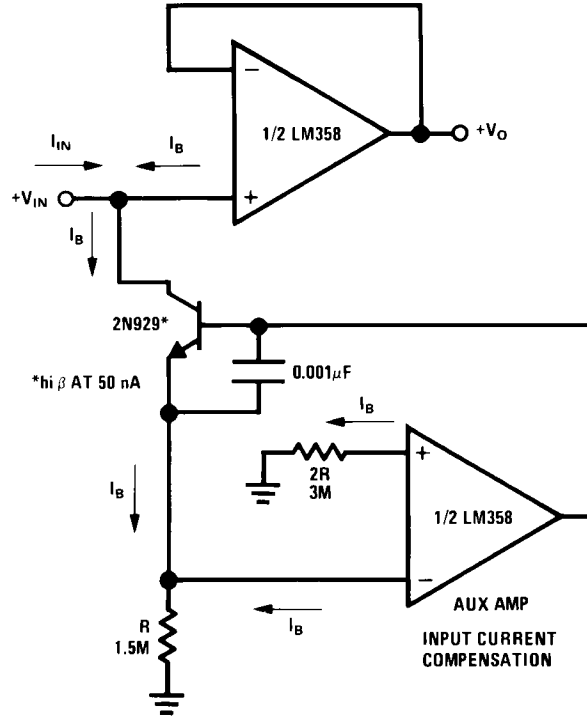
20150231

If  $R_1 = R_5$  &  $R_3 = R_4 = R_6 = R_7$  (CMRR depends on match)

$$V_O = 1 + \frac{2R_1}{R_2} (V_2 - V_1)$$

As shown  $V_O = 101 (V_2 - V_1)$

Using Symmetrical Amplifiers to Reduce Input Current (General Concept)



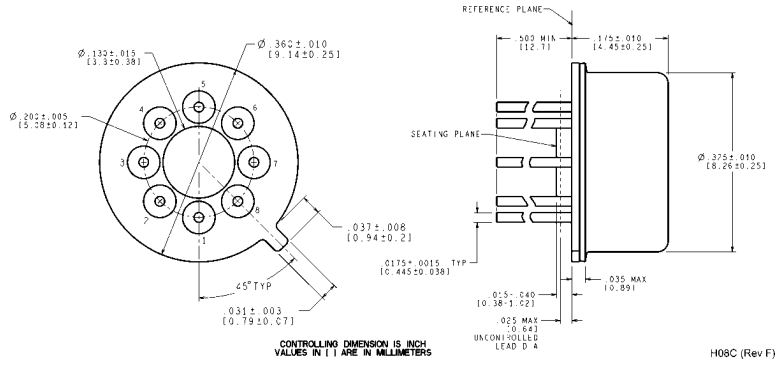
20150232

## Revision History

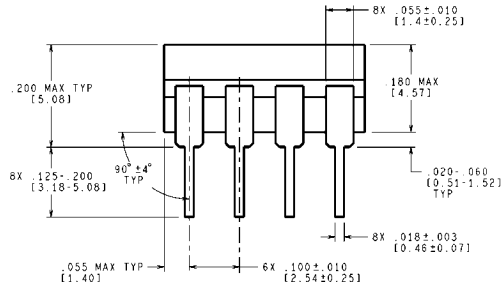
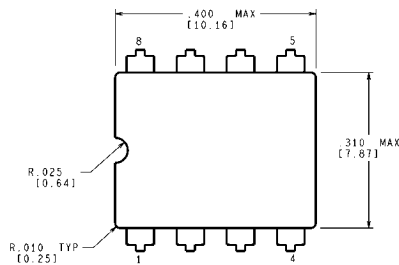
Date Released	Revision	Section	Originator	Changes
07/12/05	A	New release to corporate format.	L. Lytle	2 MDS datasheets converted into one Corporate datasheet format. MNLM158-X-RH Rev 1C1 & MNLM158-X Rev 1A1 will be archived.
01/09/06	B	Typical Single-Supply Applications	R. Malone	Correct an equation From: $V1 + V2 + V3 + V4$ To: $V1 + V2 - V3 - V4$ (right after art -08, pg 12). Reason: To reflect same correction made in commercial data sheet. Revision A will be archived.
01/27/06	C	Features, Ordering Information Table and Post Radiation Electrical's	Larry McGee	Added reference to radiation, NSID's to Ordering Table and Post Rad limits for 100k
10/05/06	D	Connection Diagram, page 2	R. Malone	Corrected typo title for Ceramic SOIC. Revision C will be Archived
08/21/08	E	Features, Ordering Information, Electrical Sections and Notes.	Larry McGee	Added reference to ELDRS, NSID's to Ordering Table, and ELDRS Electricals. Deleted 50k Rad NSID's and Post Rad table. Revision D will be Archived.
01/13/09	F	Ordering Information, ELDRS Electrical Section, Notes 11 and 12	Larry McGee	Deleted NSID's LM158AH-QMLV and LM158AWG-QMLV code K. Changed DC and Post Rad ELDRS Electricals. Changed Notes 11 and 12 wording. Revision E will be Archived.



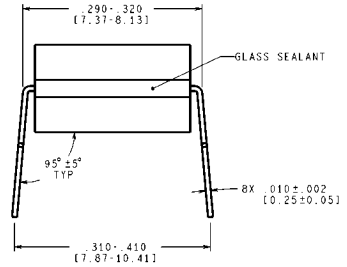
**Physical Dimensions** inches (millimeters) unless otherwise noted

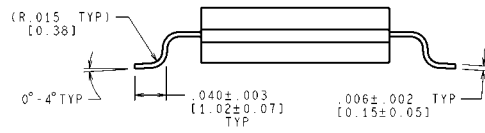
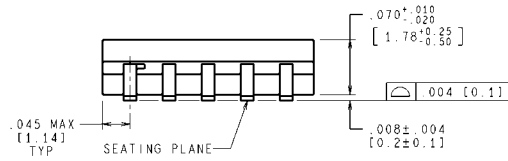
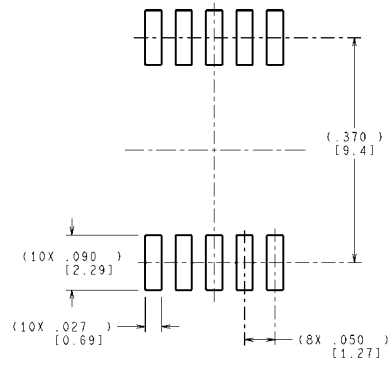
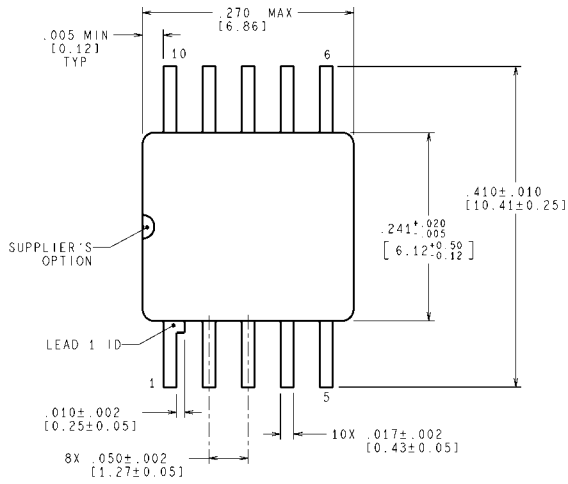


**Metal Can Package (H)**  
**NS Package Number H08C**



**CERDIP Package (J)**  
**NS Package Number J08A**





MIL-PRF-38535  
CONFIGURATION CONTROL

CONTROLLING DIMENSION IS INCH  
VALUES IN [ ] ARE MILLIMETERS  
DIMENSIONS IN ( ) FOR REFERENCE ONLY

WG10A (Rev F)

**10LD Ceramic SOIC Package  
NS Package Number WG10A**

## Notes

For more National Semiconductor product information and proven design tools, visit the following Web sites at:

Products		Design Support	
Amplifiers	<a href="http://www.national.com/amplifiers">www.national.com/amplifiers</a>	WEBENCH® Tools	<a href="http://www.national.com/webench">www.national.com/webench</a>
Audio	<a href="http://www.national.com/audio">www.national.com/audio</a>	App Notes	<a href="http://www.national.com/appnotes">www.national.com/appnotes</a>
Clock and Timing	<a href="http://www.national.com/timing">www.national.com/timing</a>	Reference Designs	<a href="http://www.national.com/refdesigns">www.national.com/refdesigns</a>
Data Converters	<a href="http://www.national.com/adc">www.national.com/adc</a>	Samples	<a href="http://www.national.com/samples">www.national.com/samples</a>
Interface	<a href="http://www.national.com/interface">www.national.com/interface</a>	Eval Boards	<a href="http://www.national.com/evalboards">www.national.com/evalboards</a>
LVDS	<a href="http://www.national.com/lvds">www.national.com/lvds</a>	Packaging	<a href="http://www.national.com/packaging">www.national.com/packaging</a>
Power Management	<a href="http://www.national.com/power">www.national.com/power</a>	Green Compliance	<a href="http://www.national.com/quality/green">www.national.com/quality/green</a>
Switching Regulators	<a href="http://www.national.com/switchers">www.national.com/switchers</a>	Distributors	<a href="http://www.national.com/contacts">www.national.com/contacts</a>
LDOs	<a href="http://www.national.com/ldo">www.national.com/ldo</a>	Quality and Reliability	<a href="http://www.national.com/quality">www.national.com/quality</a>
LED Lighting	<a href="http://www.national.com/led">www.national.com/led</a>	Feedback/Support	<a href="http://www.national.com/feedback">www.national.com/feedback</a>
Voltage Reference	<a href="http://www.national.com/vref">www.national.com/vref</a>	Design Made Easy	<a href="http://www.national.com/easy">www.national.com/easy</a>
PowerWise® Solutions	<a href="http://www.national.com/powerwise">www.national.com/powerwise</a>	Solutions	<a href="http://www.national.com/solutions">www.national.com/solutions</a>
Serial Digital Interface (SDI)	<a href="http://www.national.com/sdi">www.national.com/sdi</a>	Mil/Aero	<a href="http://www.national.com/milaero">www.national.com/milaero</a>
Temperature Sensors	<a href="http://www.national.com/tempsensors">www.national.com/tempsensors</a>	Solar Magic®	<a href="http://www.national.com/solarmagic">www.national.com/solarmagic</a>
Wireless (PLL/VCO)	<a href="http://www.national.com/wireless">www.national.com/wireless</a>	Analog University®	<a href="http://www.national.com/AU">www.national.com/AU</a>

THE CONTENTS OF THIS DOCUMENT ARE PROVIDED IN CONNECTION WITH NATIONAL SEMICONDUCTOR CORPORATION ("NATIONAL") PRODUCTS. NATIONAL MAKES NO REPRESENTATIONS OR WARRANTIES WITH RESPECT TO THE ACCURACY OR COMPLETENESS OF THE CONTENTS OF THIS PUBLICATION AND RESERVES THE RIGHT TO MAKE CHANGES TO SPECIFICATIONS AND PRODUCT DESCRIPTIONS AT ANY TIME WITHOUT NOTICE. NO LICENSE, WHETHER EXPRESS, IMPLIED, ARISING BY ESTOPPEL OR OTHERWISE, TO ANY INTELLECTUAL PROPERTY RIGHTS IS GRANTED BY THIS DOCUMENT.

TESTING AND OTHER QUALITY CONTROLS ARE USED TO THE EXTENT NATIONAL DEEMS NECESSARY TO SUPPORT NATIONAL'S PRODUCT WARRANTY. EXCEPT WHERE MANDATED BY GOVERNMENT REQUIREMENTS, TESTING OF ALL PARAMETERS OF EACH PRODUCT IS NOT NECESSARILY PERFORMED. NATIONAL ASSUMES NO LIABILITY FOR APPLICATIONS ASSISTANCE OR BUYER PRODUCT DESIGN. BUYERS ARE RESPONSIBLE FOR THEIR PRODUCTS AND APPLICATIONS USING NATIONAL COMPONENTS. PRIOR TO USING OR DISTRIBUTING ANY PRODUCTS THAT INCLUDE NATIONAL COMPONENTS, BUYERS SHOULD PROVIDE ADEQUATE DESIGN, TESTING AND OPERATING SAFEGUARDS.

EXCEPT AS PROVIDED IN NATIONAL'S TERMS AND CONDITIONS OF SALE FOR SUCH PRODUCTS, NATIONAL ASSUMES NO LIABILITY WHATSOEVER, AND NATIONAL DISCLAIMS ANY EXPRESS OR IMPLIED WARRANTY RELATING TO THE SALE AND/OR USE OF NATIONAL PRODUCTS INCLUDING LIABILITY OR WARRANTIES RELATING TO FITNESS FOR A PARTICULAR PURPOSE, MERCHANTABILITY, OR INFRINGEMENT OF ANY PATENT, COPYRIGHT OR OTHER INTELLECTUAL PROPERTY RIGHT.

### LIFE SUPPORT POLICY

**NATIONAL'S PRODUCTS ARE NOT AUTHORIZED FOR USE AS CRITICAL COMPONENTS IN LIFE SUPPORT DEVICES OR SYSTEMS WITHOUT THE EXPRESS PRIOR WRITTEN APPROVAL OF THE CHIEF EXECUTIVE OFFICER AND GENERAL COUNSEL OF NATIONAL SEMICONDUCTOR CORPORATION.** As used herein:

Life support devices or systems are devices which (a) are intended for surgical implant into the body, or (b) support or sustain life and whose failure to perform when properly used in accordance with instructions for use provided in the labeling can be reasonably expected to result in a significant injury to the user. A critical component is any component in a life support device or system whose failure to perform can be reasonably expected to cause the failure of the life support device or system or to affect its safety or effectiveness.

National Semiconductor and the National Semiconductor logo are registered trademarks of National Semiconductor Corporation. All other brand or product names may be trademarks or registered trademarks of their respective holders.

Copyright© 2009 National Semiconductor Corporation

For the most current product information visit us at [www.national.com](http://www.national.com)



**National Semiconductor  
Americas Technical  
Support Center**  
Email: [support@nsc.com](mailto:support@nsc.com)  
Tel: 1-800-272-9959

**National Semiconductor Europe  
Technical Support Center**  
Email: [europe.support@nsc.com](mailto:europe.support@nsc.com)  
German Tel: +49 (0) 180 5010 771  
English Tel: +44 (0) 870 850 4288

**National Semiconductor Asia  
Pacific Technical Support Center**  
Email: [ap.support@nsc.com](mailto:ap.support@nsc.com)

**National Semiconductor Japan  
Technical Support Center**  
Email: [jpn.feedback@nsc.com](mailto:jpn.feedback@nsc.com)

## IMPORTANT NOTICE

Texas Instruments Incorporated and its subsidiaries (TI) reserve the right to make corrections, modifications, enhancements, improvements, and other changes to its products and services at any time and to discontinue any product or service without notice. Customers should obtain the latest relevant information before placing orders and should verify that such information is current and complete. All products are sold subject to TI's terms and conditions of sale supplied at the time of order acknowledgment.

TI warrants performance of its hardware products to the specifications applicable at the time of sale in accordance with TI's standard warranty. Testing and other quality control techniques are used to the extent TI deems necessary to support this warranty. Except where mandated by government requirements, testing of all parameters of each product is not necessarily performed.

TI assumes no liability for applications assistance or customer product design. Customers are responsible for their products and applications using TI components. To minimize the risks associated with customer products and applications, customers should provide adequate design and operating safeguards.

TI does not warrant or represent that any license, either express or implied, is granted under any TI patent right, copyright, mask work right, or other TI intellectual property right relating to any combination, machine, or process in which TI products or services are used. Information published by TI regarding third-party products or services does not constitute a license from TI to use such products or services or a warranty or endorsement thereof. Use of such information may require a license from a third party under the patents or other intellectual property of the third party, or a license from TI under the patents or other intellectual property of TI.

Reproduction of TI information in TI data books or data sheets is permissible only if reproduction is without alteration and is accompanied by all associated warranties, conditions, limitations, and notices. Reproduction of this information with alteration is an unfair and deceptive business practice. TI is not responsible or liable for such altered documentation. Information of third parties may be subject to additional restrictions.

Resale of TI products or services with statements different from or beyond the parameters stated by TI for that product or service voids all express and any implied warranties for the associated TI product or service and is an unfair and deceptive business practice. TI is not responsible or liable for any such statements.

TI products are not authorized for use in safety-critical applications (such as life support) where a failure of the TI product would reasonably be expected to cause severe personal injury or death, unless officers of the parties have executed an agreement specifically governing such use. Buyers represent that they have all necessary expertise in the safety and regulatory ramifications of their applications, and acknowledge and agree that they are solely responsible for all legal, regulatory and safety-related requirements concerning their products and any use of TI products in such safety-critical applications, notwithstanding any applications-related information or support that may be provided by TI. Further, Buyers must fully indemnify TI and its representatives against any damages arising out of the use of TI products in such safety-critical applications.

TI products are neither designed nor intended for use in military/aerospace applications or environments unless the TI products are specifically designated by TI as military-grade or "enhanced plastic." Only products designated by TI as military-grade meet military specifications. Buyers acknowledge and agree that any such use of TI products which TI has not designated as military-grade is solely at the Buyer's risk, and that they are solely responsible for compliance with all legal and regulatory requirements in connection with such use.

TI products are neither designed nor intended for use in automotive applications or environments unless the specific TI products are designated by TI as compliant with ISO/TS 16949 requirements. Buyers acknowledge and agree that, if they use any non-designated products in automotive applications, TI will not be responsible for any failure to meet such requirements.

Following are URLs where you can obtain information on other Texas Instruments products and application solutions:

### Products

Audio	<a href="http://www.ti.com/audio">www.ti.com/audio</a>
Amplifiers	<a href="http://amplifier.ti.com">amplifier.ti.com</a>
Data Converters	<a href="http://dataconverter.ti.com">dataconverter.ti.com</a>
DLP® Products	<a href="http://www.dlp.com">www.dlp.com</a>
DSP	<a href="http://dsp.ti.com">dsp.ti.com</a>
Clocks and Timers	<a href="http://www.ti.com/clocks">www.ti.com/clocks</a>
Interface	<a href="http://interface.ti.com">interface.ti.com</a>
Logic	<a href="http://logic.ti.com">logic.ti.com</a>
Power Mgmt	<a href="http://power.ti.com">power.ti.com</a>
Microcontrollers	<a href="http://microcontroller.ti.com">microcontroller.ti.com</a>
RFID	<a href="http://www.ti-rfid.com">www.ti-rfid.com</a>
OMAP Mobile Processors	<a href="http://www.ti.com/omap">www.ti.com/omap</a>
Wireless Connectivity	<a href="http://www.ti.com/wirelessconnectivity">www.ti.com/wirelessconnectivity</a>

### Applications

Communications and Telecom	<a href="http://www.ti.com/communications">www.ti.com/communications</a>
Computers and Peripherals	<a href="http://www.ti.com/computers">www.ti.com/computers</a>
Consumer Electronics	<a href="http://www.ti.com/consumer-apps">www.ti.com/consumer-apps</a>
Energy and Lighting	<a href="http://www.ti.com/energy">www.ti.com/energy</a>
Industrial	<a href="http://www.ti.com/industrial">www.ti.com/industrial</a>
Medical	<a href="http://www.ti.com/medical">www.ti.com/medical</a>
Security	<a href="http://www.ti.com/security">www.ti.com/security</a>
Space, Avionics and Defense	<a href="http://www.ti.com/space-avionics-defense">www.ti.com/space-avionics-defense</a>
Transportation and Automotive	<a href="http://www.ti.com/automotive">www.ti.com/automotive</a>
Video and Imaging	<a href="http://www.ti.com/video">www.ti.com/video</a>

TI E2E Community Home Page

[e2e.ti.com](http://e2e.ti.com)

Mailing Address: Texas Instruments, Post Office Box 655303, Dallas, Texas 75265  
Copyright © 2011, Texas Instruments Incorporated