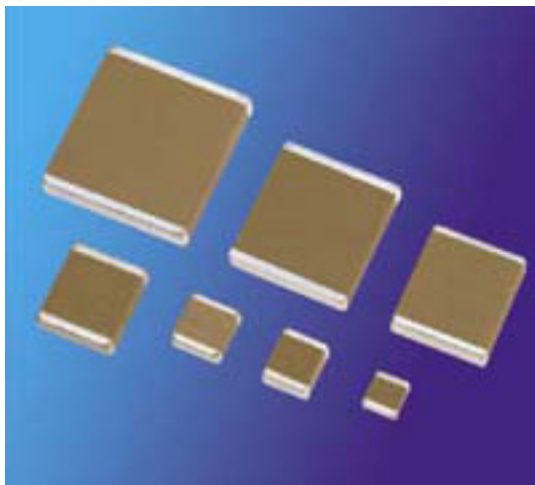


## High Temperature SMT Capacitors 200°C



### KEY FEATURES:

- For Use at Temperatures Up to 200°C
- Rated Working Voltages from 50V to 200V
- MLC Designs Utilizing Military Grade Ceramics
- Custom Sizes, Values, and Voltages Available

### APPLICATIONS:

- For Use in High Temperature Applications, Such as:
  - Oil Well Logging (Downhole)
  - Geophysical Probes
  - Jet Engine Controls

Datasheet.Directory



## Capacitance / Voltage Selection

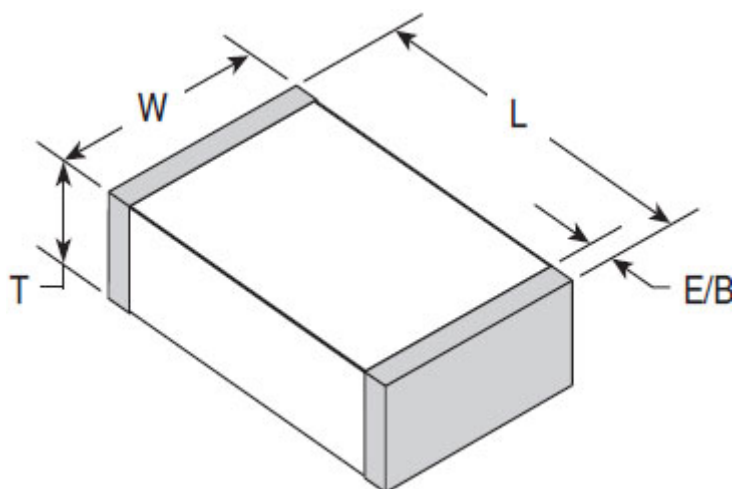
Case Size	NPO Max Capacitance			X7R Max Capacitance		
	50V	100V	200V	50V	100V	200V
T14 / 0603	330 pF	220 pF	120 pF	5600 pF	3900 pF	2200 pF
T15 / 0805	1500 pF	1000 pF	680 pF	0.027 $\mu$ F	0.018 $\mu$ F	0.010 $\mu$ F
T18 / 1206	3300 pF	2200 pF	1500 pF	0.056 $\mu$ F	0.047 $\mu$ F	0.023 $\mu$ F
T41 / 1210	5600 pF	4700 pF	3900 pF	0.120 $\mu$ F	0.100 $\mu$ F	0.068 $\mu$ F
T43 / 1812	0.012 $\mu$ F	0.010 $\mu$ F	8200 pF	0.270 $\mu$ F	0.220 $\mu$ F	0.150 $\mu$ F
T49 / 1825	0.027 $\mu$ F	0.022 $\mu$ F	0.018 $\mu$ F	0.560 $\mu$ F	0.470 $\mu$ F	0.290 $\mu$ F
T48 / 2225	0.039 $\mu$ F	0.033 $\mu$ F	0.022 $\mu$ F	0.820 $\mu$ F	0.680 $\mu$ F	0.470 $\mu$ F

## Dielectric Characteristics

	NPO Dielectric	X7R Dielectric
<b>Temperature Coefficient:</b>	0 $\pm$ 30 ppm, -55 to 125°C	0 $\pm$ 15%, -55 to 125°C
<b>Cap Drop at 200C</b>	minus 0.5% max	minus 45% max
<b>Dissipation Factor:</b>	.001 (0.1%) max, 1Khz, 25°C	.025 (2.5%) max, 1KHz, 25°C
<b>Insulation Resistance @ 25C</b>	1000 $\Omega$ F or 100 G $\Omega$ , whichever is less @ 25C, WVDC	1000 $\Omega$ F or 100 G $\Omega$ , whichever is less @ 25°C, WVDC
<b>Insulation Resistance @ 200C</b>	1 $\Omega$ F or 100 M $\Omega$ , whichever is less @200°C, WVDC	1 $\Omega$ F or 100 M $\Omega$ , whichever is less @ 200°C, WVDC
<b>Dielectric Strength:</b>	2.5 X WVDC, 25°C, 50 mA max	2.5 X WVDC, 25°C, 50 mA max
<b>Test Parameters:</b>	1Khz $\pm$ 50Hz, 1.0 $\pm$ 0.2 VRMS, 25°C	1Khz $\pm$ 50Hz, 1.0 $\pm$ 0.2 VRMS, 25°C

## Mechanical Characteristics

Case Size	T (max)		W ( 10%)		L ( 10%)		E/B	
	mm.	in.	mm.	in.	mm.	in.	mm.	in.
T14 / 0603	0.89	0.035	0.81	0.032	1.6	0.063	0.25	0.010 ± .005
T15 / 0805	1.27	0.050	1.27	0.050	2.03	0.080	0.51	0.020 ± 0.010
T18 / 1206	1.4	0.055	1.57	0.062	3.18	0.125	0.51	0.020 ± 0.010
T41 / 1210	2.03	0.080	2.41	0.095	3.18	0.125	0.51	0.020 ± 0.010
T43 / 1812	2.79	0.110	3.18	0.125	4.45	0.175	0.64	0.025 ± 0.015
T49 / 1825	3.56	0.140	6.35	0.250	4.57	0.180	0.64	0.025 ± 0.015
T48 / 2225	3.81	0.150	6.35	0.250	5.72	0.225	0.64	0.025 ± 0.015





# How to Order

