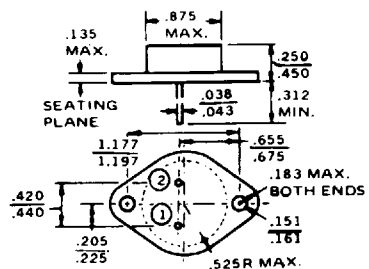


SILICON TRANSISTORS

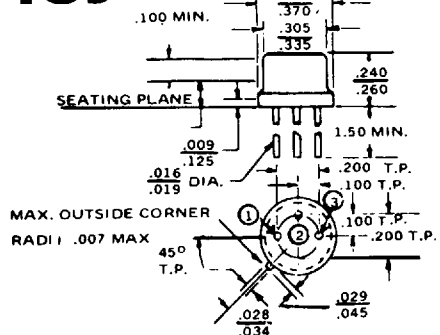
82 DE 0258354 0000045 2

DEVICE TYPE NO.	POLARITY	$P_D @ T_c=25^\circ C$		MAXIMUM RATINGS			ELECTRICAL CHARACTERISTICS				CASE
		WATTS	I_c AMPS	BV_{CBO}	BV_{CE}	BV_{EBO}	h_{FE} MIN.	I_c AMPS	V_{CE}	f MHZ *KHZ	
2N4142	PNP	.300	.200	60	40	5	40	.150	10	200	T0106
2N4143	PNP	.300	.200	60	40	5	100	.150	10	200	T0106
2N4150	NPN	.300	5.00	100	80	5	40	5.00	5	15	T039
2N4207	PNP	.300	.050	6	6	4.5	50	.010	.3	650	T018
2N4208	PNP	.300	.050	12	12	4.5	30	.010	.3	700	T018
2N4209	PNP	.300	.050	15	15	4.5	50	.010	.3	850	T018
2N4210	NPN	.100	20.0	80	60	10	20	10.0	6	10	T063
2N4227	NPN	.300	.200	60	30	5	75	.150	10	250	T0106
2N4228	PNP	.300	.200	60	40	5	75	.150	10	200	T0106
2N4231	NPN	35.0	3.00	40	40	5	25	1.50	2	4	T066
2N4232	NPN	35.0	3.00	60	60	5	25	1.50	2	4	T066
2N4233	NPN	35.0	3.00	80	80	5	25	1.50	2	4	T066
2N4234	PNP	1.00	1.00	40	40	7	30	.250	1	3	T039
2N4235	PNP	1.00	1.00	60	60	7	30	.250	1	3	T039
2N4236	PNP	1.00	1.00	80	80	7	30	.250	1	3	T039
2N4237	NPN	.800	1.00	50	40	6	30	.100	10	2	T039
2N4238	NPN	.800	1.00	80	60	6	30	.100	10	2	T039
2N4239	NPN	.800	1.00	100	80	6	30	.100	10	2	T039
2N4248	PNP	.200	.100	40	40	5	50	.001	5	40	T0106
2N4249	PNP	.200	.100	60	60	5	100	.001	5	40	T0106
2N4250	PNP	.200	.100	40	40	5	250	.001	5	50	T0106
2N4250A	PNP	.200	.100	60	60	5	250	.001	5	50	T0106
2N4252	NPN	.200	.050	30	18	4	50	.002	10	600	T072
2N4253	NPN	.200	.050	30	18	4	30	.002	10	600	T072
2N4259	NPN	.175	.050	40	30	2.5	70	.002	8	600	T072
2N4260	PNP	.200	.030	15	15	4.5	25	.001	1	1600	T072
2N4261	PNP	.200	.030	15	15	4.5	25	.001	1	2000	T072
2N4274	NPN	.200	1.00	30	12	4.5	18	.100	1	400	T0106
2N4275	NPN	.200	.100	40	15	4.5	18	.100	1	400	T0106
2N4300	NPN	15.0	2.00	100	8	80	30	1.00	2	30	T039
2N4305	NPN	1.50	5.00	120	80	6	50	1.00	2	50	T039
2N4307	NPN	1.50	5.00	100	60	6	50	1.00	2	50	T039
2N4309	NPN	1.50	5.00	120	80	6	50	1.00	2	50	T039
2N4311	NPN	1.50	5.00	100	60	6	40	1.00	2	50	T039
2N4313	PNP	.200	.100	12	12	4.5	30	.030	.5	700	T0105
2N4347	NPN	100	5.00	140	120	7	15	2.00	4	*40	T03
2N4348	NPN	120	10.0	140	120	7	15	4.00	4	*40	T03
2N4354	PNP	.350	.500	60	60	7	25	.0001	10	100	T0105
2N4355	PNP	.350	.500	60	60	5	60	.0001	10	100	T0105
2N4356	PNP	.350	.500	80	80	5	25	.0001	10	100	T0105
2N4358	PNP	.700	.100	240	240	6	100	.001	10	40	T039
2N4359	PNP	.360	.050	45	45	5	50	.001	5	200	T018
2N4383	NPN	.800	.800	40	30	5	120	.001	5	120	T039
2N3284	NPN	.500	.800	40	30	5	120	.001	5	120	T018
2N4385	NPN	.800	.800	40	30	5	100	.001	5	120	T039
2N4386	NPN	.500	.800	40	30	5	100	.001	5	120	T018
2N4395	NPN	62.0	5.00	60	40	4	50	2.00	1	4	T03
2N4396	NPN	62.0	5.00	80	60	4	40	2.00	1	4	T03
2N4398	PNP	200	40.0	40	40	5	15	15.0	2	4.0	T03
2N4399	PNP	200	60.0	60	60	5	15	15.0	2	4.0	T03
2N4404	PNP	5.00	.500	80	80	5	40	.150	5	200	T039
2N4405	PNP	5.00	.500	80	80	5	100	.150	5	200	T039
2N4406	PNP	5.00	1.50	80	80	5	30	.500	5	150	T039
2N4407	PNP	5.00	1.50	80	80	5	80	.500	5	150	T039
2N4411	PNP	.150	.025	15	12	5	40	.0005	.5	400	T072
2N4413A	PNP	.400	.600	60	60	5	120	.001	5	20	T018
2N4863	NPN	4.00	2.00	140	120	8	50	.500	5	50	T039
2N4864	NPN	16.0	2.00	140	120	8	50	.500	5	50	T066
2N4877	NPN	1.00	4.00	70	60	5	20	4.00	2	30	T039
2N4895	NPN	.800	5.00	120	60	6	40	2.00	2	50	T039
2N4896	NPN	.800	5.00	120	60	6	100	2.00	2	80	T039
2N4897	NPN	.800	5.00	150	80	6	40	2.00	2	50	T039
2N4898	PNP	25.0	1.00	40	40	5	20	.500	1	*30	T066
2N4899	PNP	25.0	1.00	60	60	5	20	.500	1	*30	T066

TO3

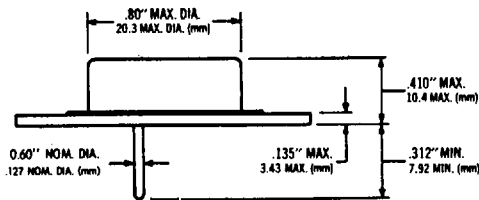


TO5

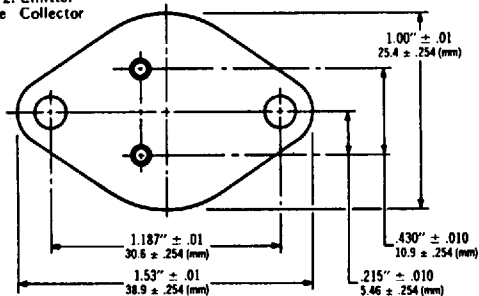


TO3-MOD

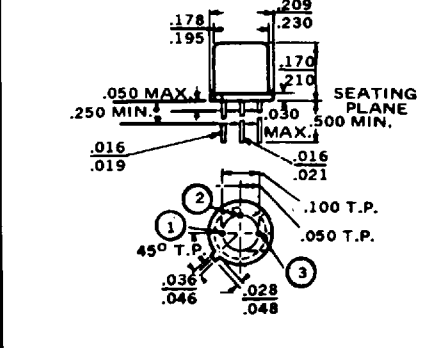
Case TO3
MODIFIED
(.050" Pin Dia.)



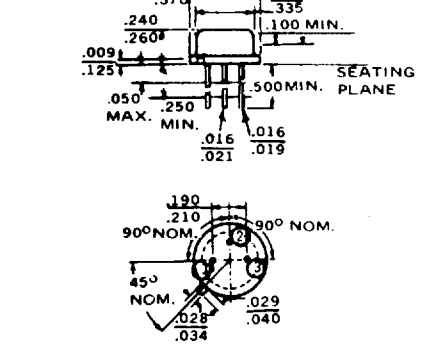
Pin 1. Base
2. Emitter
Case Collector



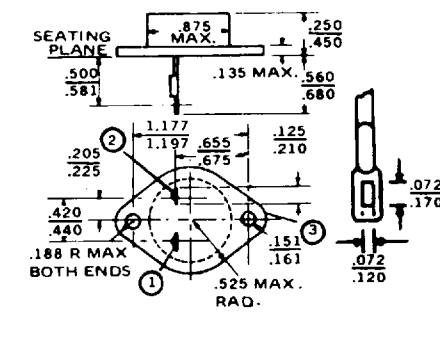
TO18



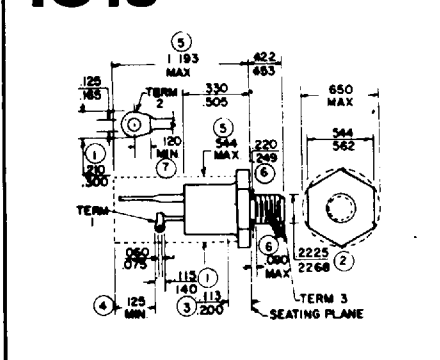
TO39



TO41



TO48



TO61

