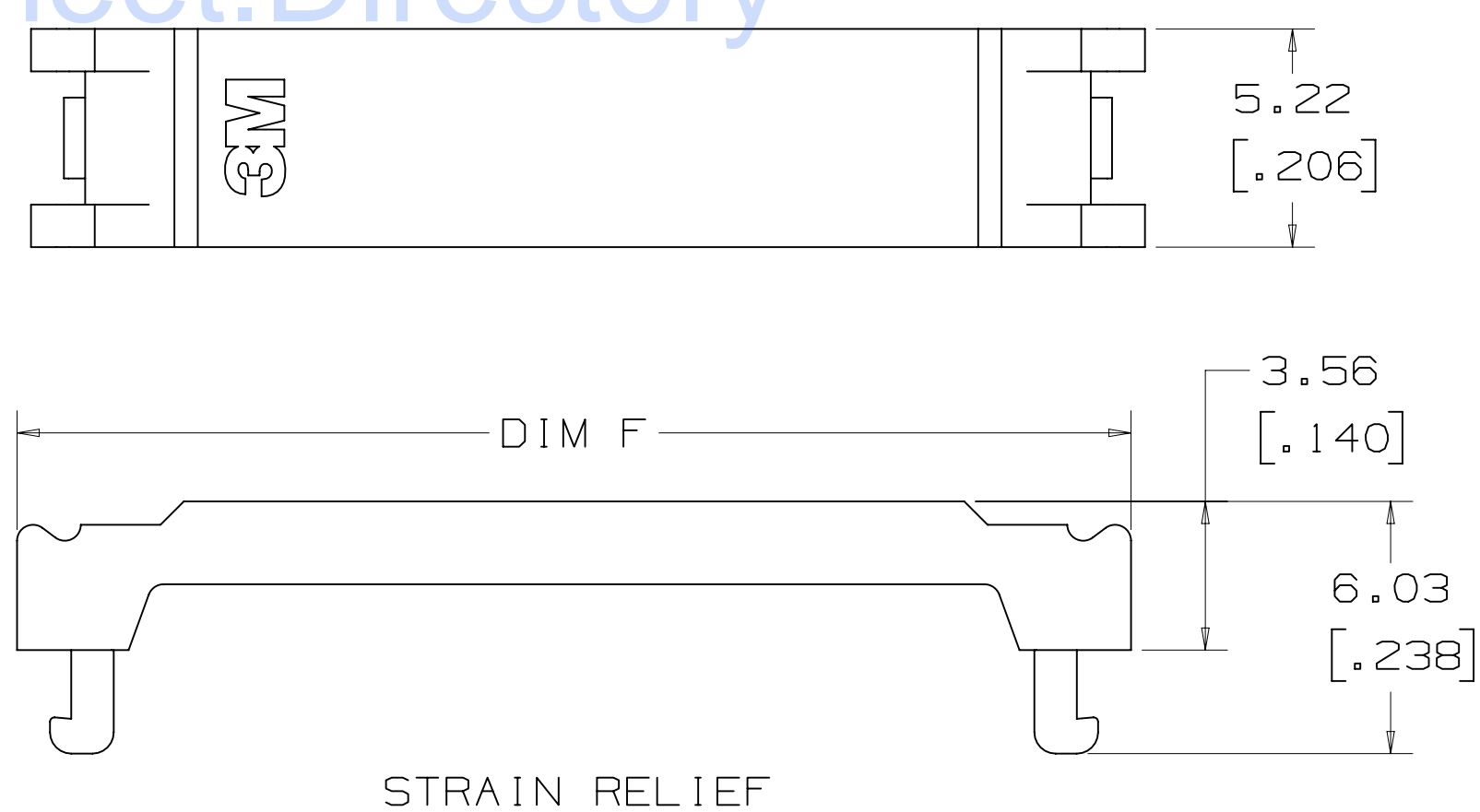
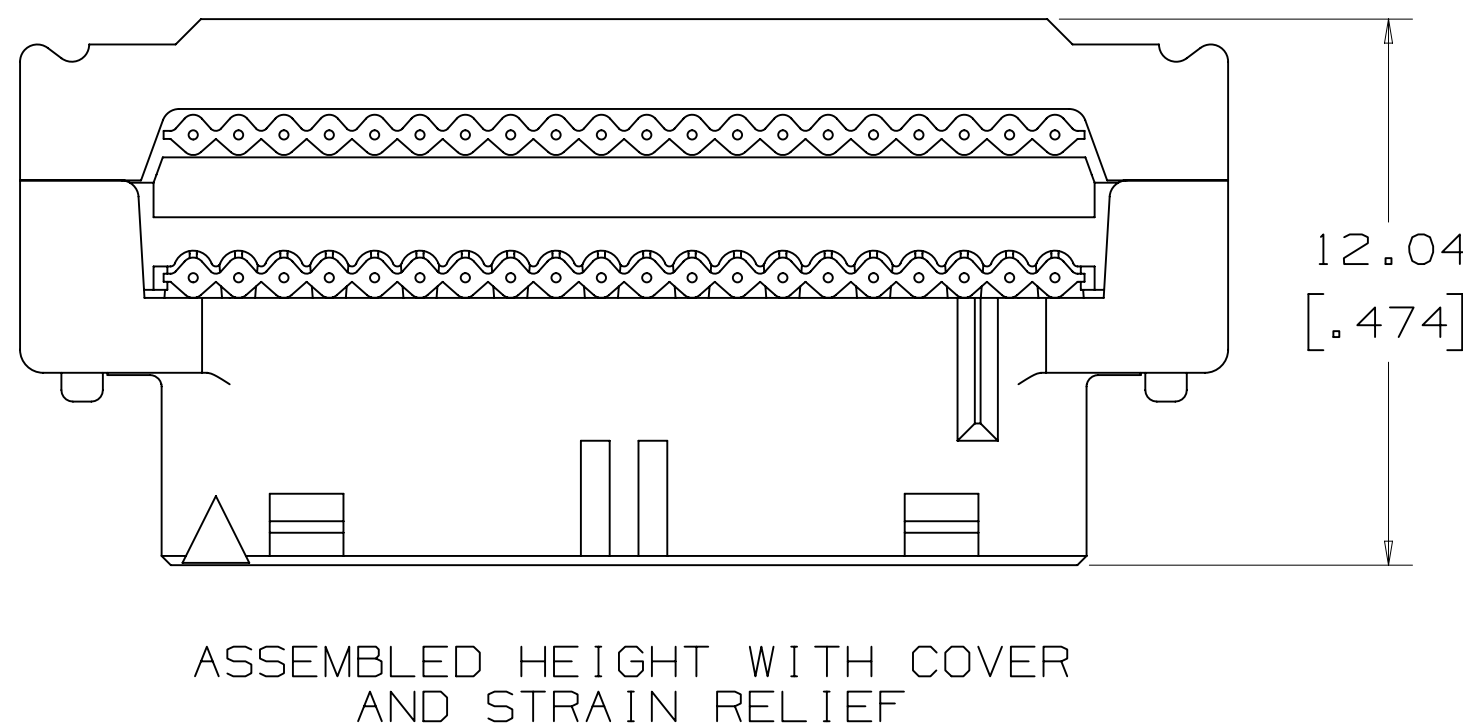
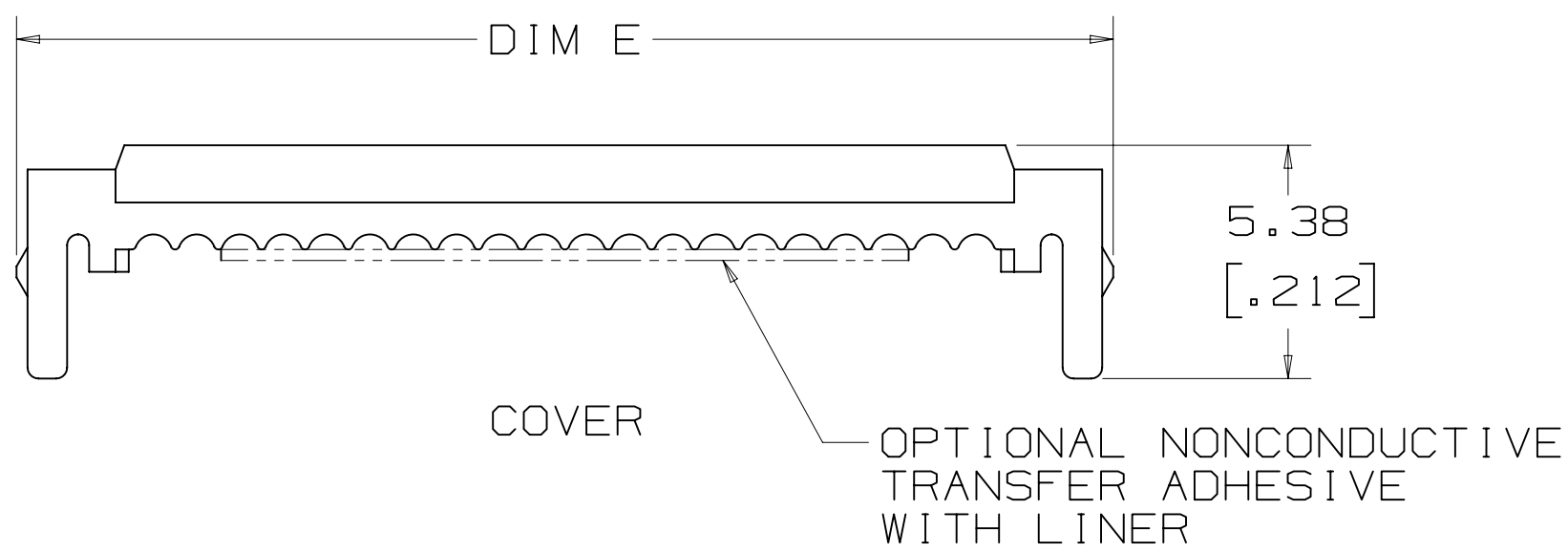
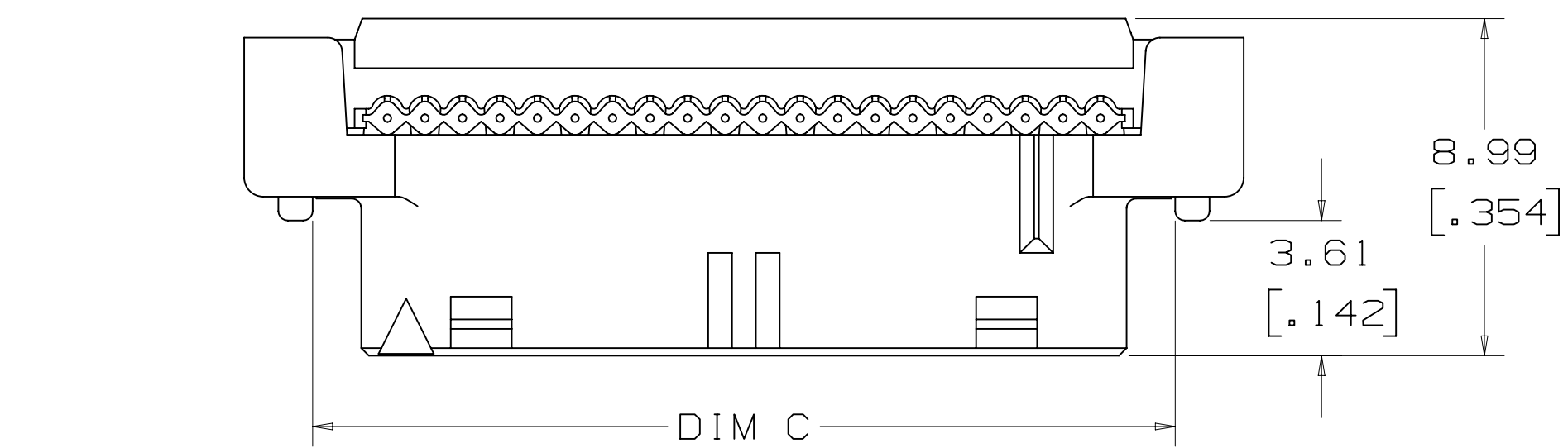
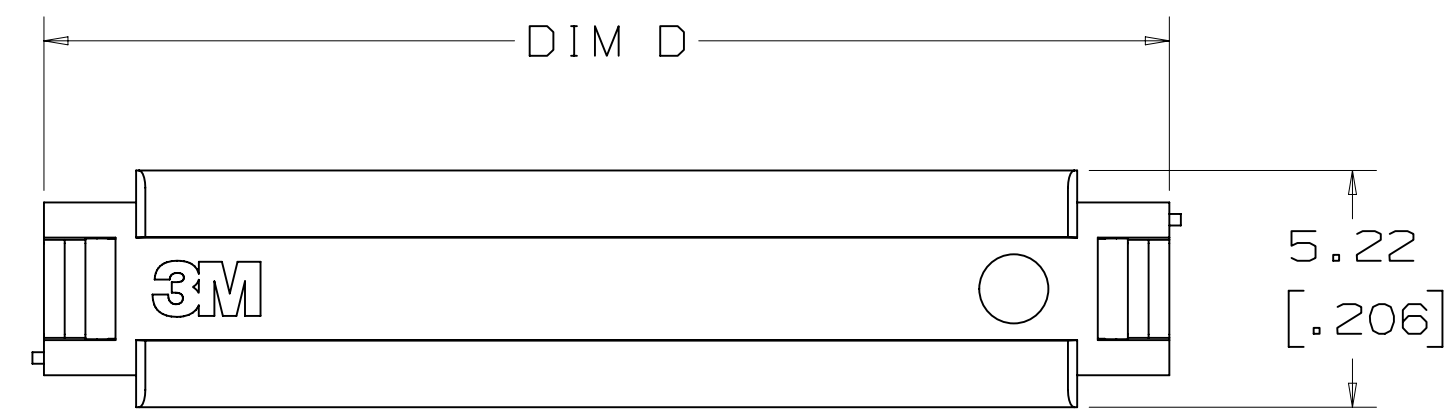
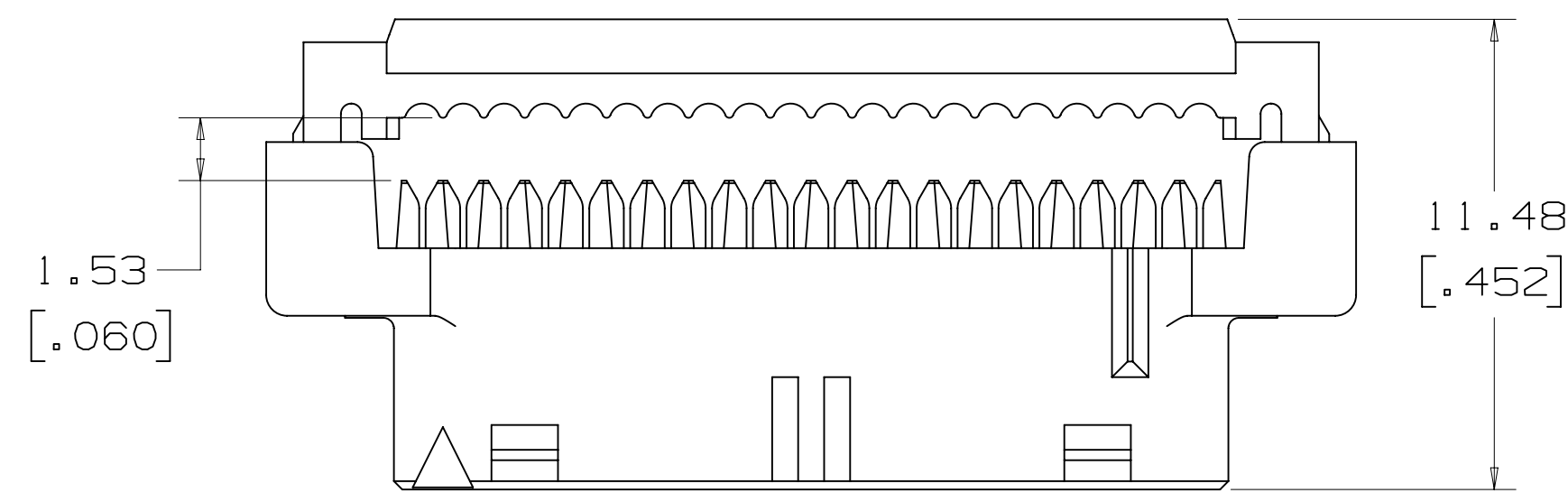
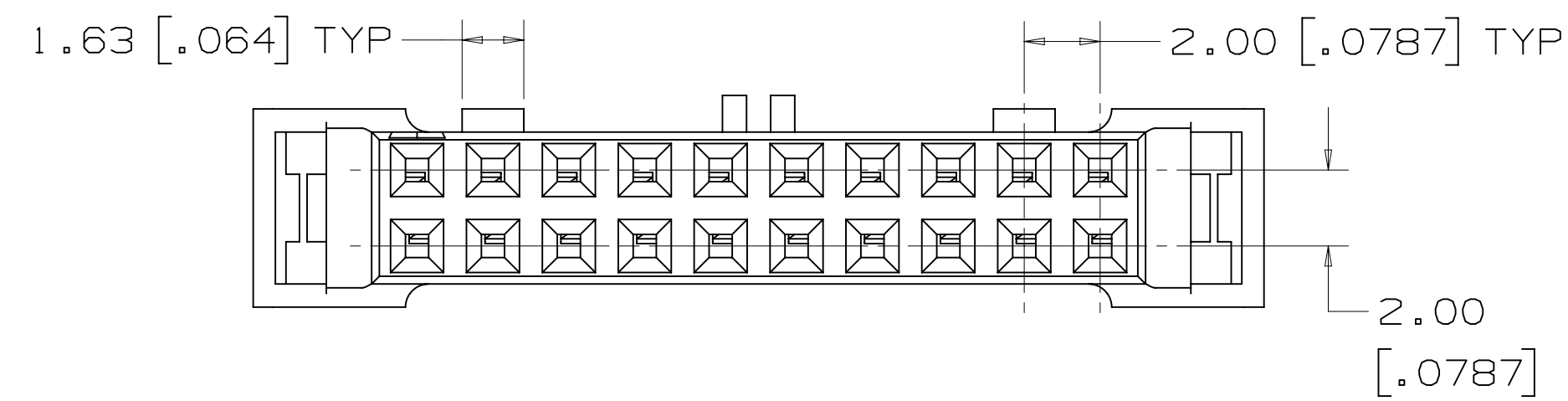
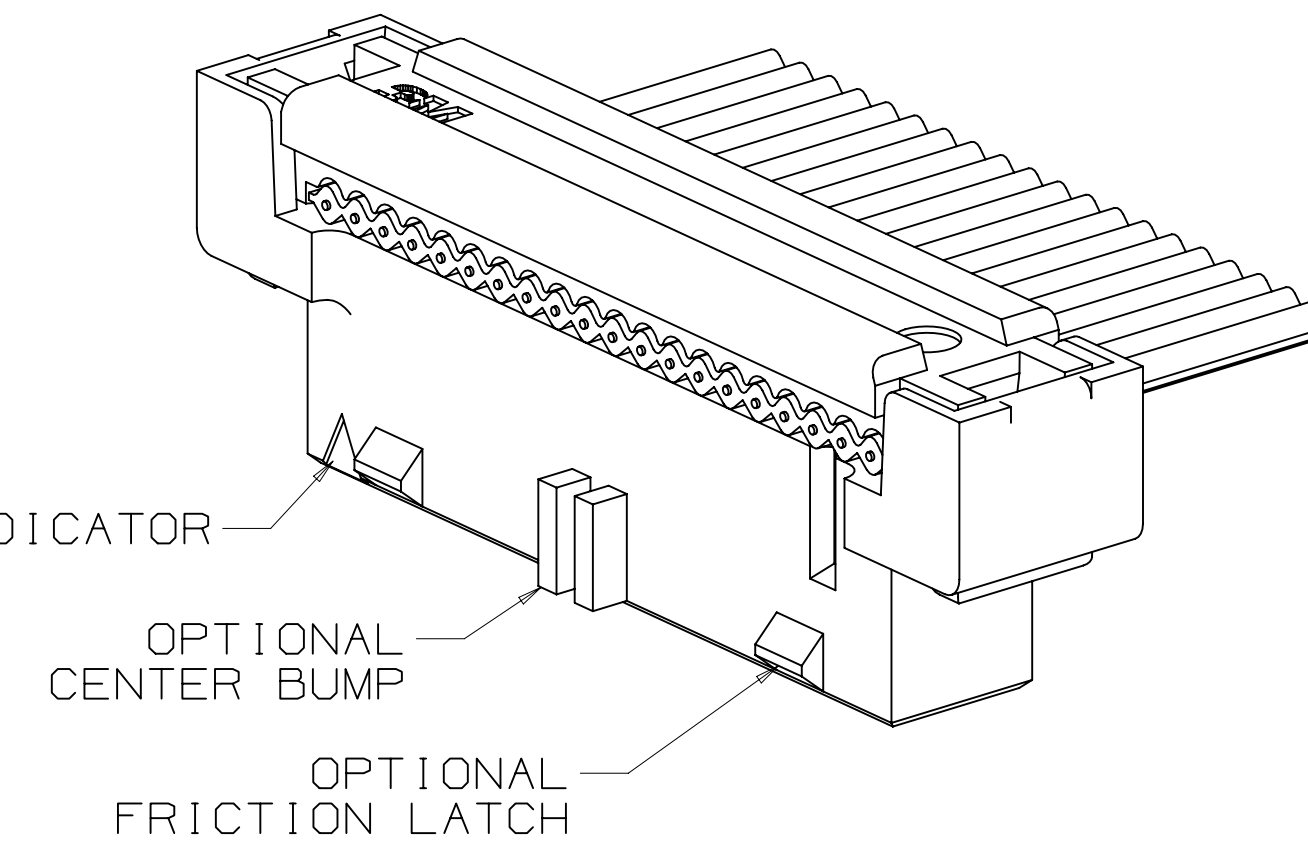
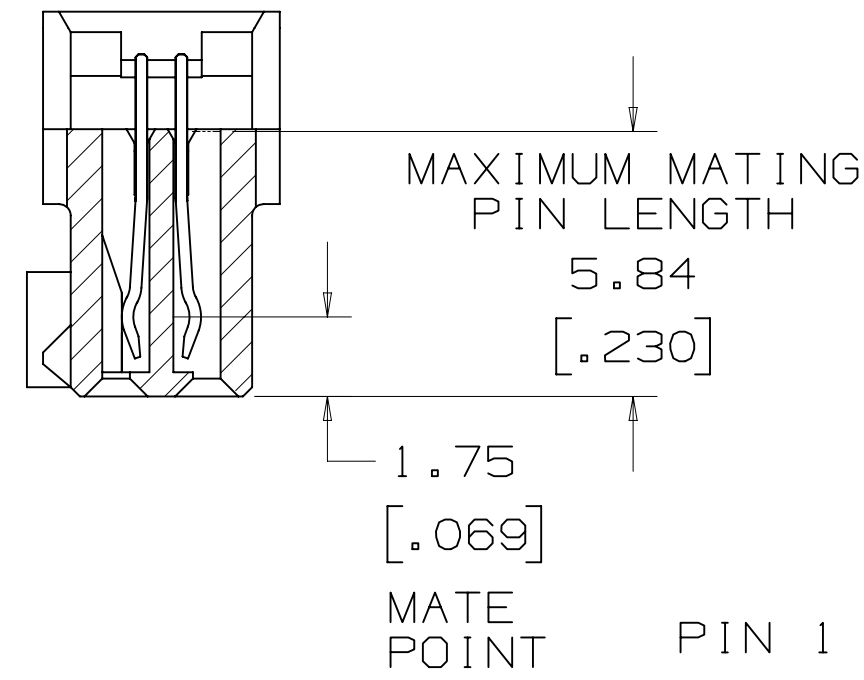
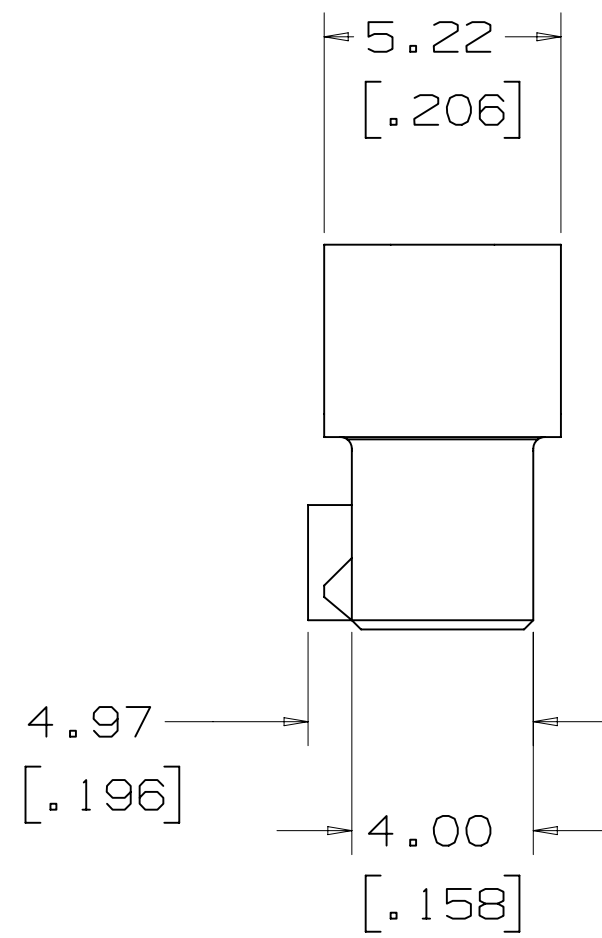
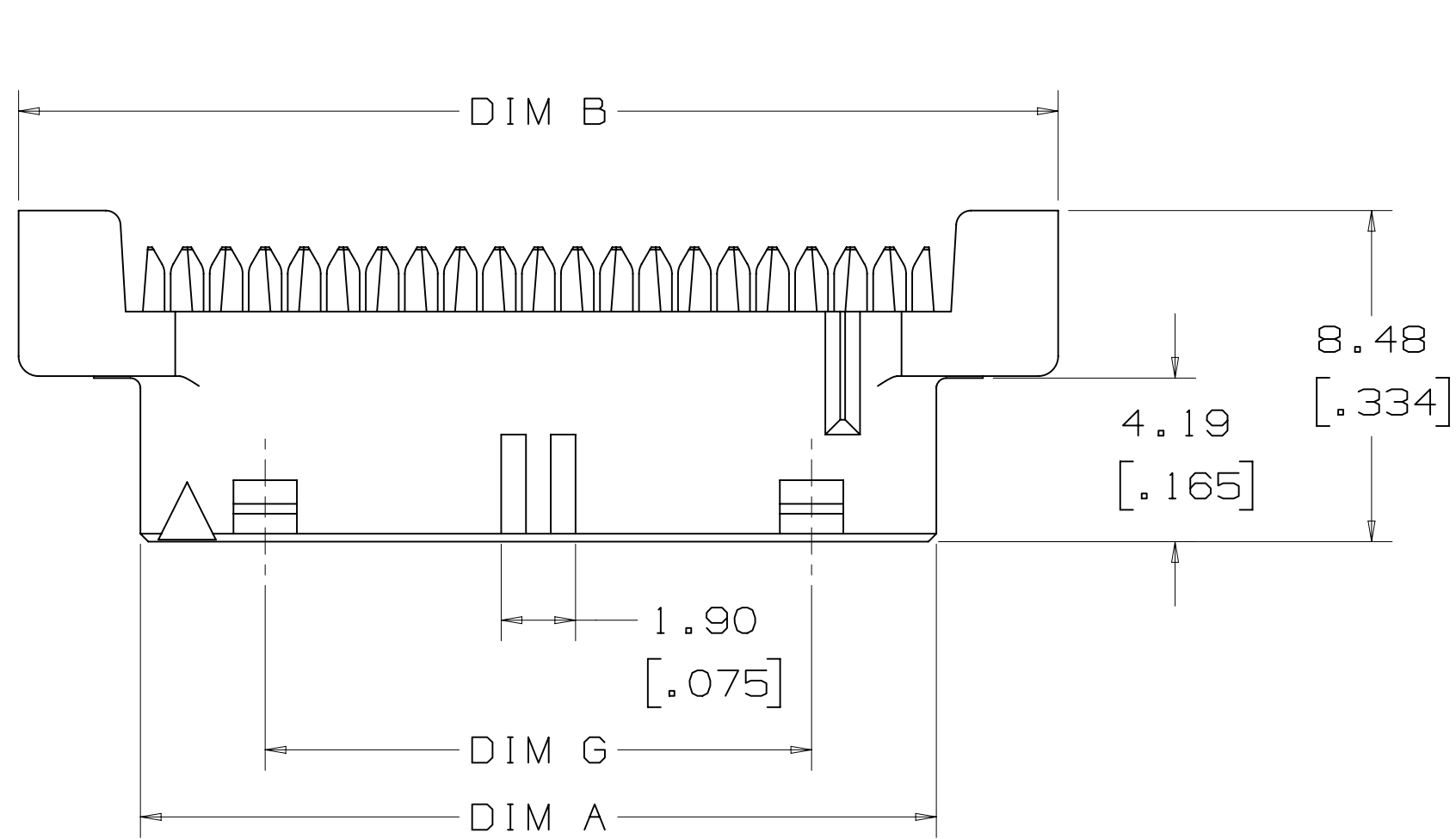


3M™ Ribbon Cable Socket 2 mm X 2 mm Pitch 158 Series



- NOTES
- 1 MATERIAL:
BODY: HIGH TEMP GLASS FILLED POLYESTER, GRAY UL94V-0
CONTACTS: COPPER ALLOY
 - 2 PLATING:
2.03-3.81 μ m [80-150 μ in] NICKEL UNDERPLATE
0.38 μ m [15 μ in] OR 0.76 μ m [30 μ in] AVG GOLD ON WIPING AREA.
 - 3 RIBBON CABLE:
RECOMMENDED: 3M™ 3625 (28 AWG, 7 STRAND).
 - 4 APPLICATION TOOLS:
3460 PRESS (OR EQUIVALENT) 3443-119 LOCATOR PLATE, 3442-9 PLATEN
SEE 3M INSTRUCTION SHEET 78-9101-2810-3.
 - 5 MATES WITH 3M™ HEADERS 159 SERIES (REFERENCE 3M DRAWING 78-5100-2359-7). (0.51 mm [.020 in] SQ, CROWNED PINS).
 - 6 SEE THE REGULATORY INFORMATION APPENDIX (RIA) IN THE "ROHS COMPLIANCE" SECTION OF WWW.3MCONNECTOR.COM FOR COMPLIANCE INFORMATION (RIA E1 & C1 APPLY).
 - 7 FOR PRODUCT SPECIFICATIONS AND WARRANTY INFORMATION SEE 3M 78-5102-0078-1.
 - 8 IN THE EVENT OF CONFLICT BETWEEN THIS DATA AND THAT CONTAINED IN THE PRODUCT SPECIFICATION, THE PRODUCT SPECIFICATION TAKES PRECEDENT.

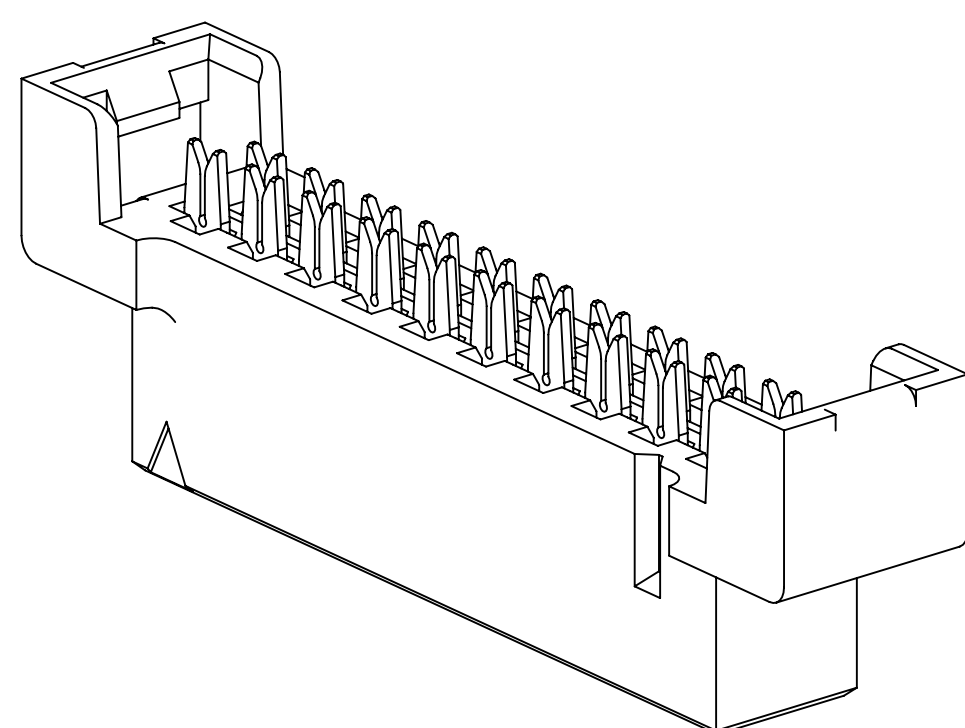
PERFORMANCE [7] [8]	
CURRENT:	1A, 6 LINES ENERGIZED
INSULATION RESISTANCE:	>1X10 ⁹ OHMS AT 500 VDC
WITHSTANDING VOLTAGE:	500 VACrms AT SEA LEVEL
TEMPERATURE RATING:	-55°C TO +105°C

Datasheet.Directory

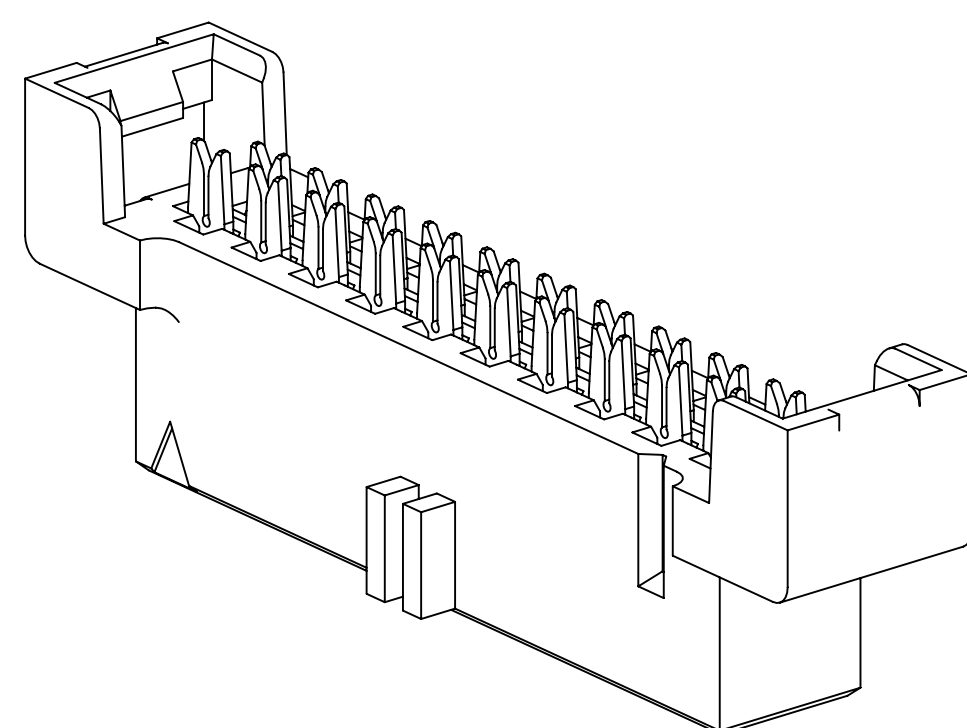
DESIGN REFERENCE	NEXT ASSEMBLY	REV	ECO	ISSUE DATE AND DESCRIPTION	DRFT	CHKD
				JUL 23, 2010		
DIVISION: 3M Center SCALE: 6-1 TOLERANCES EXCEPT AS NOTED: INCHES: .00 ± .000 ± .0000 ± MILLIMETERS: 0 ± .00 ± .00 ± .13 .000 ±		DATE: JUL 23, 2010 MFG DATE: JUL 30, 2010 DRFT: L. SCHMIDT DATE: JUL 23, 2010 APPR: S. FELDMAN DATE: JUL 30, 2010 CHKD:				
DO NOT SCALE DRAWING THIRD ANGLE PROJECTION INTERPRET PER ASME Y14.5 - 1994 MAX SURFACE ROUGHNESS: 125 <input type="checkbox"/> ALL SURFACES <input checked="" type="checkbox"/> MARKED ONLY ANGLES: ±1°		TITLE: 3M RIBBON CABLE SOCKET 2 MM X 2 MM PITCH 158 SERIES CAGE NUMBER: D78-5100-2358-9 REV. B MODEL:				
METRIC [ENGLISH]		B 31126 NOV 11, 2010 ADDED DIMENSIONS REVISOR ORDERING INFORMATION LDS SF A 30741 OCT 28, 2010 INITIAL RELEASE LDS SF SHT 1 OF 2				

3M™ Ribbon Cable Socket 2 mm X 2 mm Pitch 158 Series

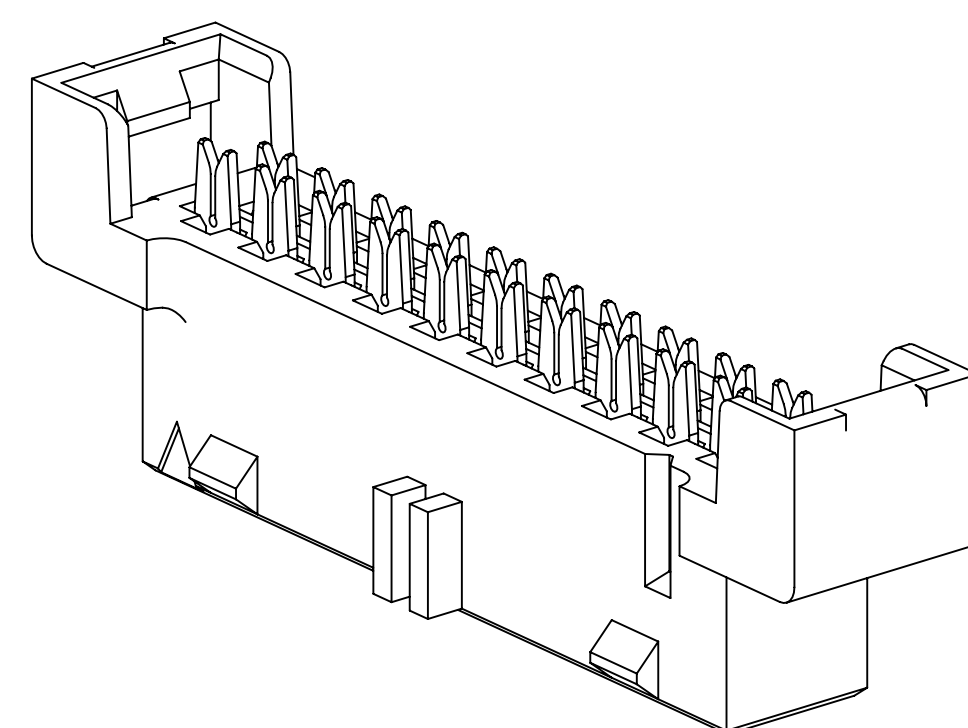
NUMBER OF POSITIONS	DIM A	DIM B	DIM C	DIM D	DIM E	DIM F	DIM G
6	6.39 [.252]	12.64 [.497]	8.98 [.354]	10.81 [.426]	11.32 [.446]	12.64 [.497]	N/A
8	8.39 [.330]	14.64 [.576]	10.98 [.432]	12.81 [.504]	13.32 [.524]	14.64 [.576]	N/A
10	10.39 [.409]	16.64 [.655]	12.98 [.511]	14.81 [.583]	15.32 [.603]	16.64 [.655]	N/A
12	12.39 [.488]	18.64 [.734]	14.98 [.590]	16.81 [.662]	17.32 [.682]	18.64 [.734]	N/A
14	14.39 [.567]	20.64 [.812]	16.98 [.669]	18.81 [.741]	19.32 [.761]	20.64 [.812]	8.00 [.315]
16	16.39 [.645]	22.64 [.891]	18.98 [.747]	20.81 [.819]	21.32 [.839]	22.64 [.891]	10.00 [.394]
20	20.39 [.803]	26.64 [1.049]	22.98 [.905]	24.81 [.977]	25.32 [.997]	26.64 [1.049]	14.00 [.551]
22	22.39 [.882]	28.64 [1.127]	24.98 [.984]	26.81 [1.056]	27.32 [1.076]	28.64 [1.127]	16.00 [.630]
24	24.39 [.960]	30.64 [1.206]	26.98 [1.062]	28.81 [1.134]	29.32 [1.154]	30.64 [1.206]	18.00 [.709]
26	26.39 [1.039]	32.64 [1.285]	28.98 [1.141]	30.81 [1.213]	31.32 [1.233]	32.64 [1.285]	20.00 [.787]
30	30.39 [1.197]	36.64 [1.442]	32.98 [1.299]	34.81 [1.371]	35.32 [1.391]	36.64 [1.442]	24.00 [.945]
34	34.39 [1.354]	40.64 [1.600]	36.98 [1.456]	38.81 [1.528]	39.32 [1.548]	40.64 [1.600]	28.00 [1.102]
40	40.39 [1.590]	46.64 [1.836]	42.98 [1.692]	44.81 [1.764]	45.32 [1.784]	46.64 [1.836]	34.00 [1.339]
44	44.39 [1.748]	50.64 [1.994]	46.98 [1.850]	48.81 [1.922]	49.32 [1.942]	50.64 [1.994]	38.00 [1.496]
50	50.39 [1.984]	56.64 [2.230]	52.98 [2.086]	54.81 [2.158]	55.32 [2.178]	56.64 [2.230]	44.00 [1.732]



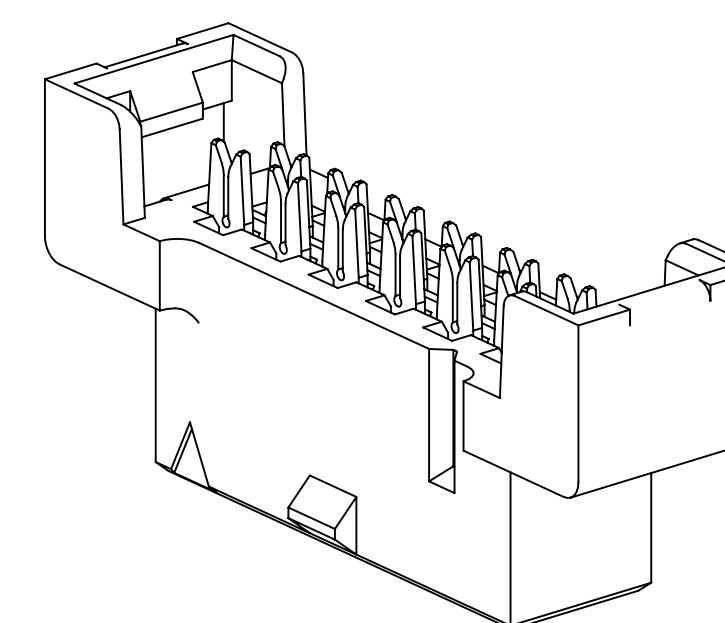
SOCKET WITHOUT OPTIONS
ALL POSITIONS



CENTER BUMP OPTION
ALL POSITIONS



CENTER BUMP WITH
FRICTION BUMP OPTION
14-50 POSITIONS



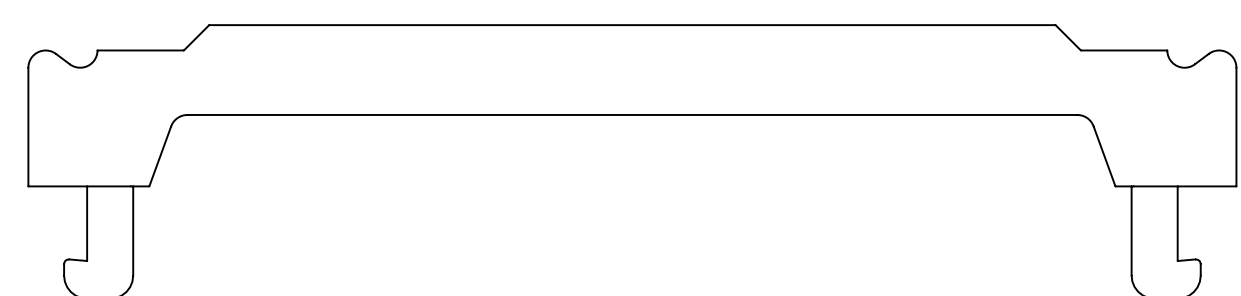
CENTER FRICTION BUMP OPTION
6-12 POSITIONS ONLY

ORDERING INFORMATION

TIER 1 - BEST
1581XX-1X00
 TIER 1 = BEST
 POSITION COUNT (SEE TABLE)
 PART CONFIGURATION 1 = ADHESIVE COVER
 POLARIZATION/LATCHING 1 = CENTER BUMP, NO FRICTION BUMP
 PLATING BLANK = 0.76 μm [30 μin] GOLD
 PACKAGING 0 = TRAY

TIER 2 - BETTER
1582XX-0X20XX
 TIER 2 = BETTER
 POSITION COUNT (SEE TABLE)
 PART CONFIGURATION 0 = PREASSEMBLED COVER
 POLARIZATION/LATCHING 0 = WITHOUT CENTER BUMP
 1 = CENTER BUMP, NO FRICTION BUMP
 2 = CENTER BUMP AND FRICTION BUMP
 PLATING BLANK = 0.76 μm [30 μin] GOLD
 15 = 0.38 μm [15 μin] GOLD
 PACKAGING 2 = SWORDS

TIER 3 - VALUE
1583XX-211015
 TIER 3 = VALUE
 POSITION COUNT (SEE TABLE)
 PART CONFIGURATION 2 = SEPARATE COVER
 POLARIZATION/LATCHING 1 = CENTER BUMP, NO FRICTION BUMP
 PLATING 15 = 0.38 μm [15 μin] GOLD
 PACKAGING 1 = BULK PACK



STRAIN RELIEF
3448-158XX
POSITION COUNT (SEE TABLE)

METRIC [ENGLISH]

DESIGN REFERENCE	NEXT ASSEMBLY	REV	ECO	ISSUE DATE AND DESCRIPTION	DRFT	CHKD
		L. SCHMIDT		JUL 23, 2010		
DIVISION	DIVISION CODE	CHKD	DATE	APPV	DATE	
		S. FELDMAN		JUL 30, 2010		
DO NOT SCALE DRAWING	SCALE 6/1	TOLERANCES EXCEPT AS NOTED				
THIRD ANGLE PROJECTION	INTERPRET PER ASME Y14.5 - 1994	TOLERANCES	INCHES	© 3M COPYRIGHT 2010 This document and the information it contains are 3M property and may not be reproduced or further distributed without 3M permission, or used or disclosed other than for 3M authorized purposes. All rights reserved.		
MAX SURFACE ROUGHNESS	ALL SURFACES MARKED ONLY	MILLIMETERS	0 ±	TITLE 3M RIBBON CABLE SOCKET 2 MM x 2 MM PITCH 158 SERIES		
			.00 ±	CAGE NUMBER	SIZE	DRAWING NO.
			.000 ±	D	78-5100-2358-9	B
			.000 ±	MODEL		
			ANGLES ±1°			

78-5100-2358-9 DRAWING NUMBER

A

Mouser Electronics

Authorized Distributor

Click to View Pricing, Inventory, Delivery & Lifecycle Information:

3M:

[158208-0320](#) [158210-0320](#) [158106-1100](#) [158108-1100](#) [158110-1100](#) [158112-1100](#) [158114-1100](#) [158116-1100](#)
[158120-1100](#) [158122-1100](#) [158124-1100](#) [158126-1100](#) [158130-1100](#) [158134-1100](#) [158140-1100](#) [158144-1100](#)
[158150-1100](#) [158206-002015](#) [158206-0120](#) [158206-012015](#) [158208-0120](#) [158208-012015](#) [158210-0120](#) [158210-012015](#) [158212-0120](#) [158212-012015](#) [158214-0120](#) [158214-012015](#) [158216-0120](#) [158216-012015](#) [158220-0120](#)
[158220-012015](#) [158222-0120](#) [158222-012015](#) [158224-0120](#) [158224-012015](#) [158226-0120](#) [158226-012015](#)
[158230-0120](#) [158230-012015](#) [158234-0120](#) [158234-012015](#) [158240-0120](#) [158240-012015](#) [158244-0120](#) [158244-012015](#) [158250-0120](#) [158250-012015](#) [158306-211015](#) [158308-211015](#) [158310-211015](#) [158312-211015](#) [158314-211015](#) [158316-211015](#) [158320-211015](#) [158322-211015](#) [158324-211015](#) [158326-211015](#) [158330-211015](#) [158334-211015](#) [158340-211015](#) [158344-211015](#) [158350-211015](#) [3448-15808](#) [3448-15810](#) [3448-15820](#) [3448-15826](#) [3448-15834](#) [3448-15850](#) [158216-0220](#) [158206-0320](#) [158224-0220](#) [158244-022015](#)