

MM74HC132

Quad 2-Input NAND Schmitt Trigger

Features

- Typical propagation delay: 12ns
- Wide power supply range: 2V–6V
- Low quiescent current: 20µA maximum (74HC Series)
- Low input current: 1µA maximum
- Fanout of 10 LS-TTL loads
- Typical hysteresis voltage: 0.9V at $V_{CC} = 4.5V$

General Description


The MM74HC132 utilizes advanced silicon-gate CMOS technology to achieve the low power dissipation and high noise immunity of standard CMOS, as well as the capability to drive 10 LS-TTL loads.

The 74HC logic family is functionally and pinout compatible with the standard 74LS logic family. All inputs are protected from damage due to static discharge by internal diode clamps to V_{CC} and ground.

Ordering Information

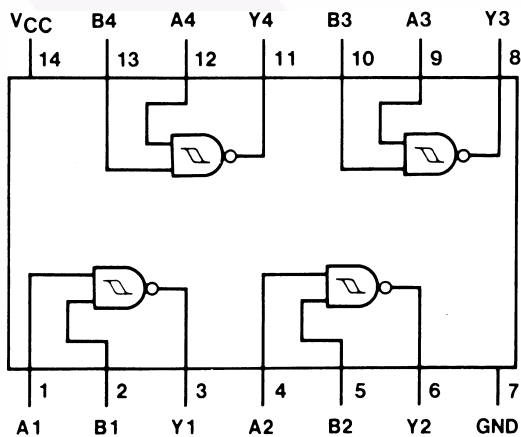
| Order Number | Package Number | Package Description |
|--------------|----------------|------------------------------------------------------------------------------|
| MM74HC132M | M14A | 14-Lead Small Outline Integrated Circuit (SOIC), JEDEC MS-012, 0.150" Narrow |
| MM74HC132SJ | M14D | 14-Lead Small Outline Package (SOP), EIAJ TYPE II, 5.3mm Wide |
| MM74HC132MTC | MTC14 | 14-Lead Thin Shrink Small Outline Package (TSSOP), JEDEC MO-153, 4.4mm Wide |
| MM74HC132N | N14A | 14-Lead Plastic Dual-In-Line Package (PDIP), JEDEC MS-001, 0.300" Wide |

Device also available in Tape and Reel. Specify by appending suffix letter "X" to the ordering number.

 All packages are lead free per JEDEC: J-STD-020B standard.

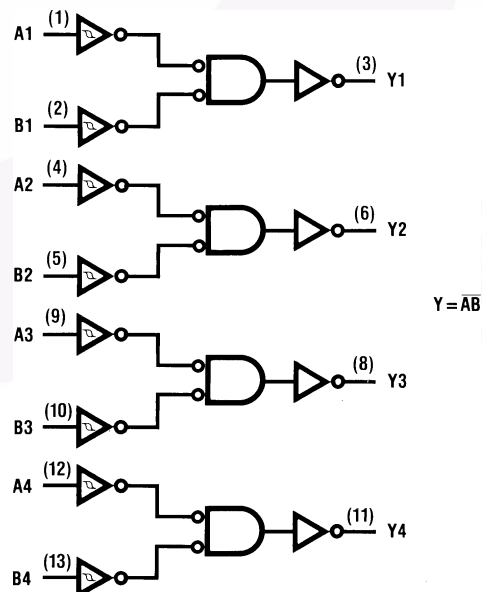
Connection Diagram

Pin Assignments for DIP, SOIC, SOP and TSSOP



Top View

Logic Diagram



$$Y = AB$$

Absolute Maximum Ratings⁽¹⁾

Stresses exceeding the absolute maximum ratings may damage the device. The device may not function or be operable above the recommended operating conditions and stressing the parts to these levels is not recommended. In addition, extended exposure to stresses above the recommended operating conditions may affect device reliability. The absolute maximum ratings are stress ratings only.

| Symbol | Parameter | Rating |
|------------------|-----------------------------------------|-----------------------|
| V_{CC} | Supply Voltage | -0.5 to +7.0V |
| V_{IN} | DC Input Voltage | -1.5 to $V_{CC}+1.5V$ |
| V_{OUT} | DC Output Voltage | -0.5 to $V_{CC}+0.5V$ |
| I_{IK}, I_{OK} | Clamp Diode Current | $\pm 20mA$ |
| I_{OUT} | DC Output Current, per pin | $\pm 25mA$ |
| I_{CC} | DC V_{CC} or GND Current, per pin | $\pm 50mA$ |
| T_{STG} | Storage Temperature Range | -65°C to +150°C |
| P_D | Power Dissipation Note 2 | 600mW |
| | S.O. Package only | 500mW |
| T_L | Lead Temperature (Soldering 10 seconds) | 260°C |

Notes:

1. Unless otherwise specified all voltages are referenced to ground.
2. Power Dissipation temperature derating — plastic "N" package: -12mW/°C from 65°C to 85°C.

Recommended Operating Conditions

The Recommended Operating Conditions table defines the conditions for actual device operation. Recommended operating conditions are specified to ensure optimal performance to the datasheet specifications. Fairchild does not recommend exceeding them or designing to absolute maximum ratings.

| Symbol | Parameter | Min. | Max. | Units |
|-------------------|-----------------------------|------|----------|-------|
| V_{CC} | Supply Voltage | 2 | 6 | V |
| V_{IN}, V_{OUT} | DC Input or Output Voltage | 0 | V_{CC} | V |
| T_A | Operating Temperature Range | -40 | +85 | °C |

DC Electrical Characteristics⁽³⁾

| Symbol | Parameter | V _{CC} (V) | Conditions | T _A = 25°C | | T _A = -40°C to 85°C | T _A = -40°C to 125°C | Units |
|-----------------|-----------------------------------|---------------------|----------------------------------------------------------------------------------------|-----------------------|-------------------|-----------------------------------|------------------------------------|-------|
| | | | | Typ. | Guaranteed Limits | | | |
| V _{T+} | Positive Going Threshold Voltage | 2.0 | Min. | | 1.0 | 1.0 | 1.0 | V |
| | | 4.5 | | | 2.0 | 2.0 | 2.0 | |
| | | 6.0 | | | 3.0 | 3.0 | 3.0 | |
| | | 2.0 | Max. | | 1.5 | 1.5 | 1.5 | |
| | | 4.5 | | | 3.15 | 3.15 | 3.15 | |
| | | 6.0 | | | 4.2 | 4.2 | 4.2 | |
| V _{T-} | Negative Going Threshold Voltage | 2.0 | Min. | | 0.3 | 0.3 | 0.3 | V |
| | | 4.5 | | | 0.9 | 0.9 | 0.9 | |
| | | 6.0 | | | 1.2 | 1.2 | 1.2 | |
| | | 2.0 | Max. | | 1.0 | 1.0 | 1.0 | |
| | | 4.5 | | | 2.2 | 2.2 | 2.2 | |
| | | 6.0 | | | 3.0 | 3.0 | 3.0 | |
| V _H | Hysteresis Voltage | 2.0 | Min. | | 0.2 | 0.2 | 0.2 | V |
| | | 4.5 | | | 0.4 | 0.4 | 0.4 | |
| | | 6.0 | | | 0.5 | 0.5 | 0.5 | |
| | | 2.0 | Max. | | 1.0 | 1.0 | 1.0 | |
| | | 4.5 | | | 1.4 | 1.4 | 1.4 | |
| | | 6.0 | | | 1.5 | 1.5 | 1.5 | |
| V _{OH} | Minimum HIGH Level Output Voltage | 2.0 | V _{IN} = V _{IH} or V _{IL} , I _{OUT} ≤ 20 μA | 2.0 | 1.9 | 1.9 | 1.9 | V |
| | | 4.5 | | 4.5 | 4.4 | 4.4 | 4.4 | |
| | | 6.0 | | 6.0 | 5.9 | 5.9 | 5.9 | |
| | | 4.5 | V _{IN} = V _{IH} or V _{IL} , I _{OUT} ≤ 4.0 mA | 4.2 | 3.98 | 3.84 | 3.7 | |
| | | 6.0 | V _{IN} = V _{IH} or V _{IL} , I _{OUT} ≤ 5.2 mA | 5.7 | 5.48 | 5.34 | 5.2 | |
| V _{OL} | Maximum LOW Level Output Voltage | 2.0 | V _{IN} = V _{IH} or V _{IL} , I _{OUT} ≤ 20 μA | 0 | 0.1 | 0.1 | 0.1 | V |
| | | 4.5 | | 0 | 0.1 | 0.1 | 0.1 | |
| | | 6.0 | | 0 | 0.1 | 0.1 | 0.1 | |
| | | 4.5 | V _{IN} = V _{IH} or V _{IL} , I _{OUT} ≤ 4.0 mA | 0.2 | 0.26 | 0.33 | 0.4 | |
| | | 6.0 | V _{IN} = V _{IH} or V _{IL} , I _{OUT} ≤ 5.2 mA | 0.2 | 0.26 | 0.33 | 0.4 | |
| I _{IN} | Maximum Input Current | 6.0 | V _{IN} = V _{CC} or GND | | ±0.1 | ±1.0 | ±1.0 | μA |
| I _{CC} | Maximum Quiescent Supply Current | 6.0 | V _{IN} = V _{CC} or GND, I _{OUT} = 0 μA | | 2.0 | 20 | 40 | μA |

Note:

3. For a power supply of 5V ±10% the worst case output voltages (V_{OH}, and V_{OL}) occur for HC at 4.5V. Thus the 4.5V values should be used when designing with this supply. Worst case V_{IH} and V_{IL} occur at V_{CC} = 5.5V and 4.5V respectively. (The V_{IH} value at 5.5V is 3.85V.) The worst case leakage current (I_{IN}, I_{CC}, and I_{OZ}) occur for CMOS at the higher voltage and so the 6.0V values should be used.

AC Electrical Characteristics $V_{CC} = 5V$, $T_A = 25^\circ\text{C}$, $C_L = 15\text{pF}$, $t_r = t_f = 6\text{ns}$

| Symbol | Parameter | Conditions | Typ. | Guaranteed Limit | Units |
|-----------------------|---------------------------|------------|------|------------------|-------|
| t_{PHL} , t_{PLH} | Maximum Propagation Delay | | 12 | 20 | ns |

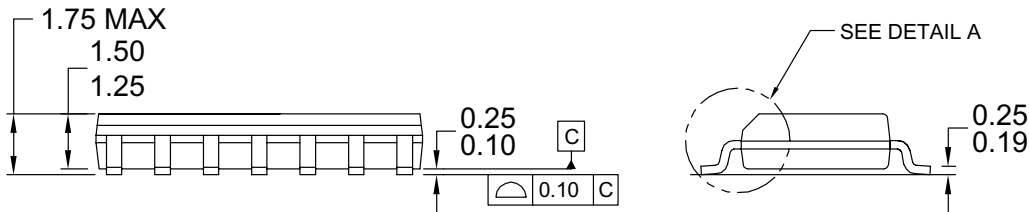
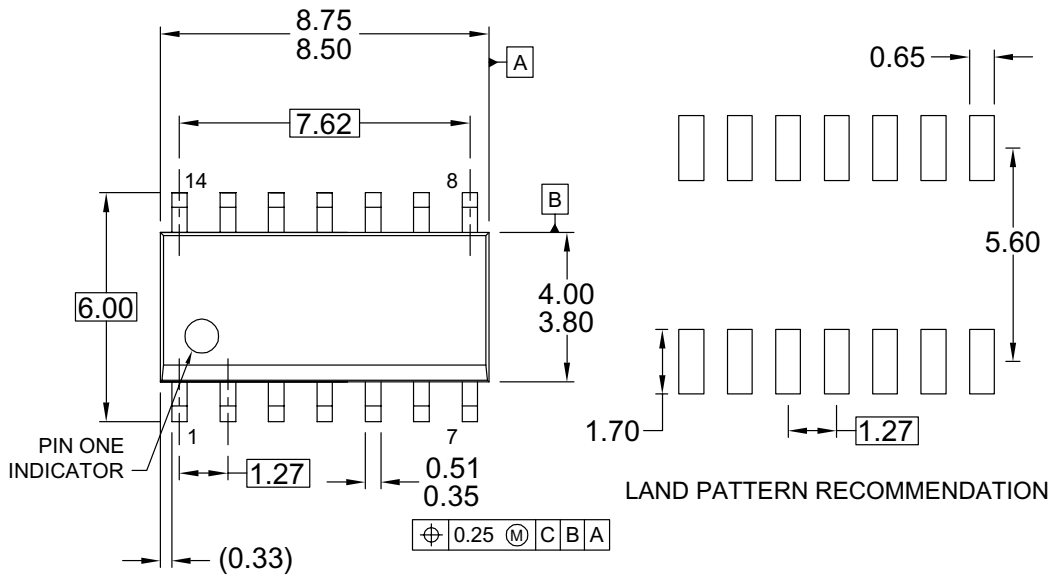
AC Electrical Characteristics $V_{CC} = 2.0V$ to $6.0V$, $C_L = 50\text{pF}$, $t_r = t_f = 6\text{ns}$ (unless otherwise specified)

| Symbol | Parameter | V_{CC} (V) | Conditions | $T_A = 25^\circ\text{C}$ | | $T_A = -40^\circ\text{C}$ to 85°C | $T_A = -55^\circ\text{C}$ to 125°C | Units |
|-----------------------|----------------------------------------------|--------------|------------|--------------------------|-------------------|----------------------------------------------------|-----------------------------------------------------|-------|
| | | | | Typ. | Guaranteed Limits | | | |
| t_{PHL} , t_{PLH} | Maximum Propagation Delay | 2.0 | | 63 | 125 | 158 | 186 | ns |
| | | 4.5 | | 13 | 25 | 32 | 37 | |
| | | 6.0 | | 11 | 21 | 27 | 32 | |
| t_{TLH} , t_{THL} | Maximum Output Rise and Fall Time | 2.0 | | 30 | 75 | 95 | 110 | ns |
| | | 4.5 | | 8 | 15 | 19 | 22 | |
| | | 6.0 | | 7 | 13 | 16 | 19 | |
| C_{PD} | Power Dissipation Capacitance ⁽⁴⁾ | | (per gate) | 130 | | | | pF |
| C_{IN} | Maximum Input Capacitance | | | | 5 | 10 | 10 | pF |

Note:

4. C_{PD} determines the no load dynamic power consumption, $P_D = C_{PD} V_{CC}^2 f + I_{CC} V_{CC}$, and the no load dynamic current consumption, $I_S = C_{PD} V_{CC} f + I_{CC}$.

Physical Dimensions



NOTES: UNLESS OTHERWISE SPECIFIED

- A) THIS PACKAGE CONFORMS TO JEDEC MS-012, VARIATION AB, ISSUE C,
- B) ALL DIMENSIONS ARE IN MILLIMETERS.
- C) DIMENSIONS DO NOT INCLUDE MOLD FLASH OR BURRS.
- D) LANDPATTERN STANDARD: SOIC127P600X145-14M
- E) DRAWING CONFORMS TO ASME Y14.5M-1994
- F) DRAWING FILE NAME: M14AREV13

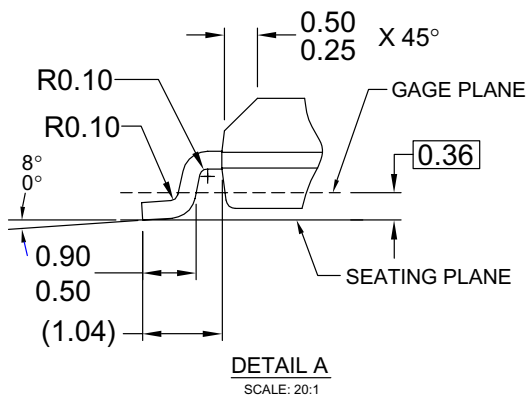


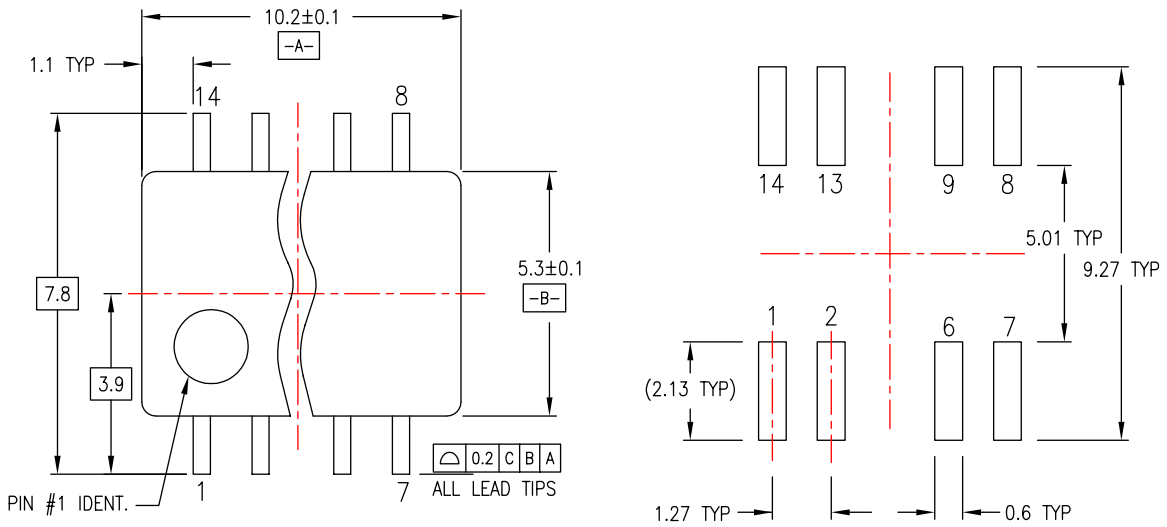
Figure 1. 14-Lead Small Outline Integrated Circuit (SOIC), JEDEC MS-012, 0.150" Narrow

Package drawings are provided as a service to customers considering Fairchild components. Drawings may change in any manner without notice. Please note the revision and/or date on the drawing and contact a Fairchild Semiconductor representative to verify or obtain the most recent revision. Package specifications do not expand the terms of Fairchild's worldwide terms and conditions, specifically the warranty therein, which covers Fairchild products.

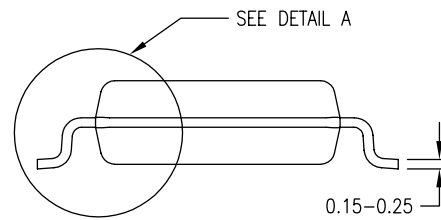
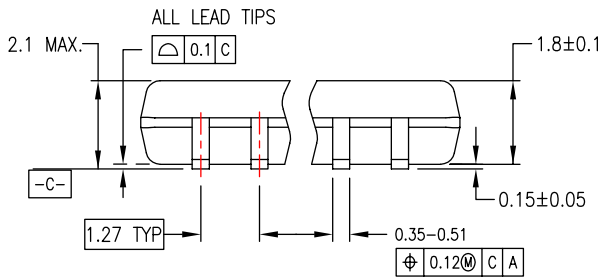
Always visit Fairchild Semiconductor's online packaging area for the most recent package drawings:

<http://www.fairchildsemi.com/packaging/>

Physical Dimensions (Continued)



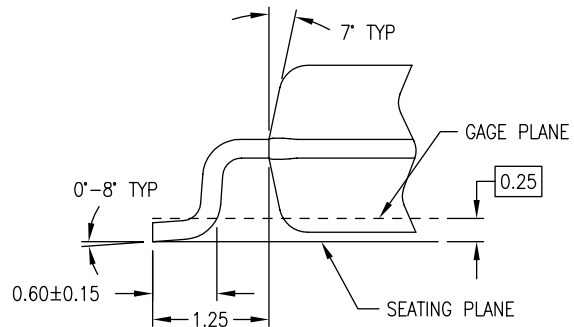
LAND PATTERN RECOMMENDATION



DIMENSIONS ARE IN MILLIMETERS

NOTES:

- A. CONFORMS TO EIAJ EDR-7320 REGISTRATION, ESTABLISHED IN DECEMBER, 1998.
- B. DIMENSIONS ARE IN MILLIMETERS.
- C. DIMENSIONS ARE EXCLUSIVE OF BURRS, MOLD FLASH, AND TIE BAR EXTRUSIONS.



DETAIL A

M14DREVC

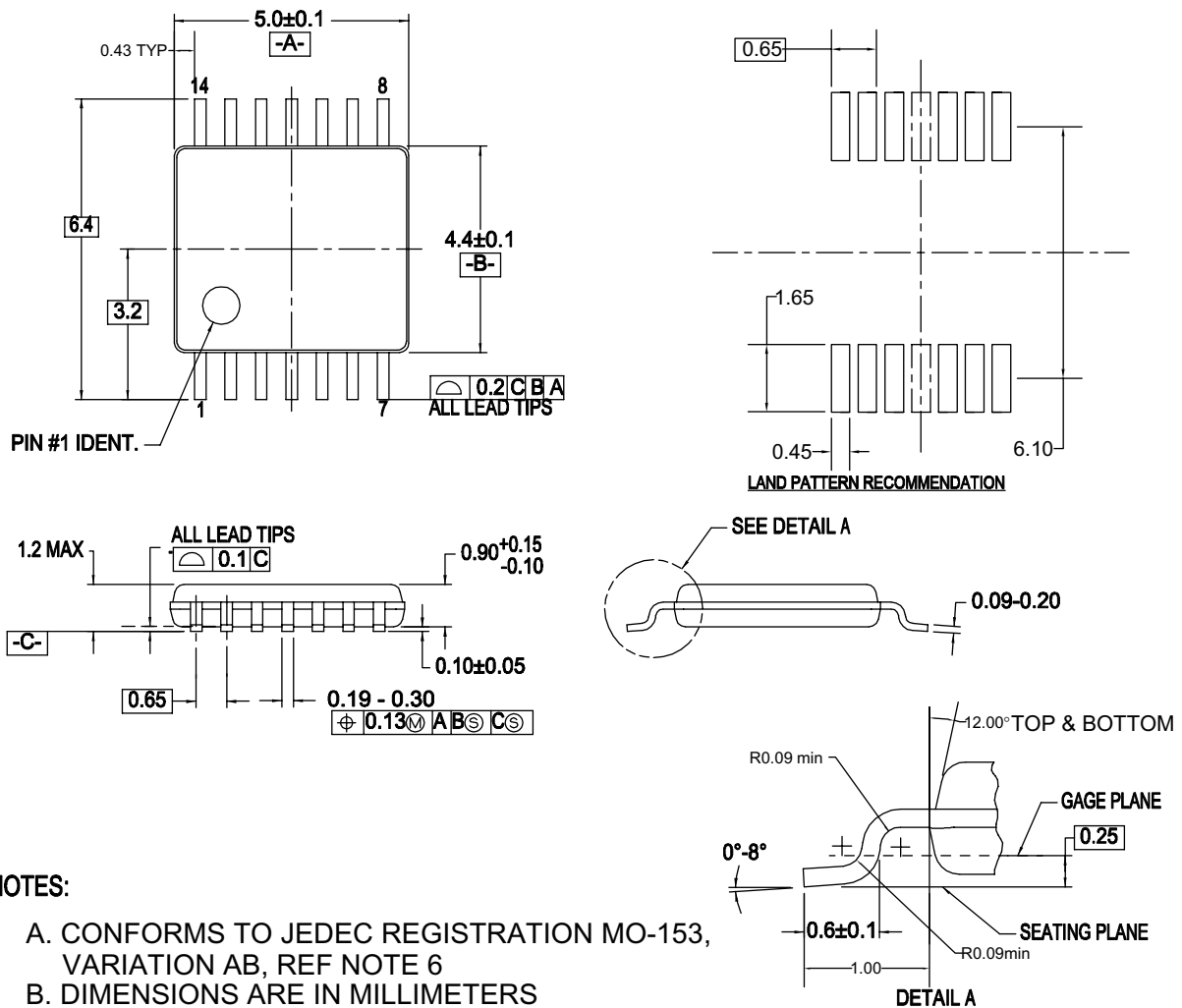
Figure 2. 14-Lead Small Outline Package (SOP), EIAJ TYPE II, 5.3mm Wide

Package drawings are provided as a service to customers considering Fairchild components. Drawings may change in any manner without notice. Please note the revision and/or date on the drawing and contact a Fairchild Semiconductor representative to verify or obtain the most recent revision. Package specifications do not expand the terms of Fairchild's worldwide terms and conditions, specifically the warranty therein, which covers Fairchild products.

Always visit Fairchild Semiconductor's online packaging area for the most recent package drawings:

<http://www.fairchildsemi.com/packaging/>

Physical Dimensions (Continued)



NOTES:

- A. CONFORMS TO JEDEC REGISTRATION MO-153, VARIATION AB, REF NOTE 6
- B. DIMENSIONS ARE IN MILLIMETERS
- C. DIMENSIONS ARE EXCLUSIVE OF BURRS, MOLD FLASH, AND TIE BAR EXTRUSIONS
- D. DIMENSIONING AND TOLERANCES PER ANSI Y14.5M, 1982
- E. LANDPATTERN STANDARD: SOP65P640X110-14M
- F. DRAWING FILE NAME: MTC14REV6

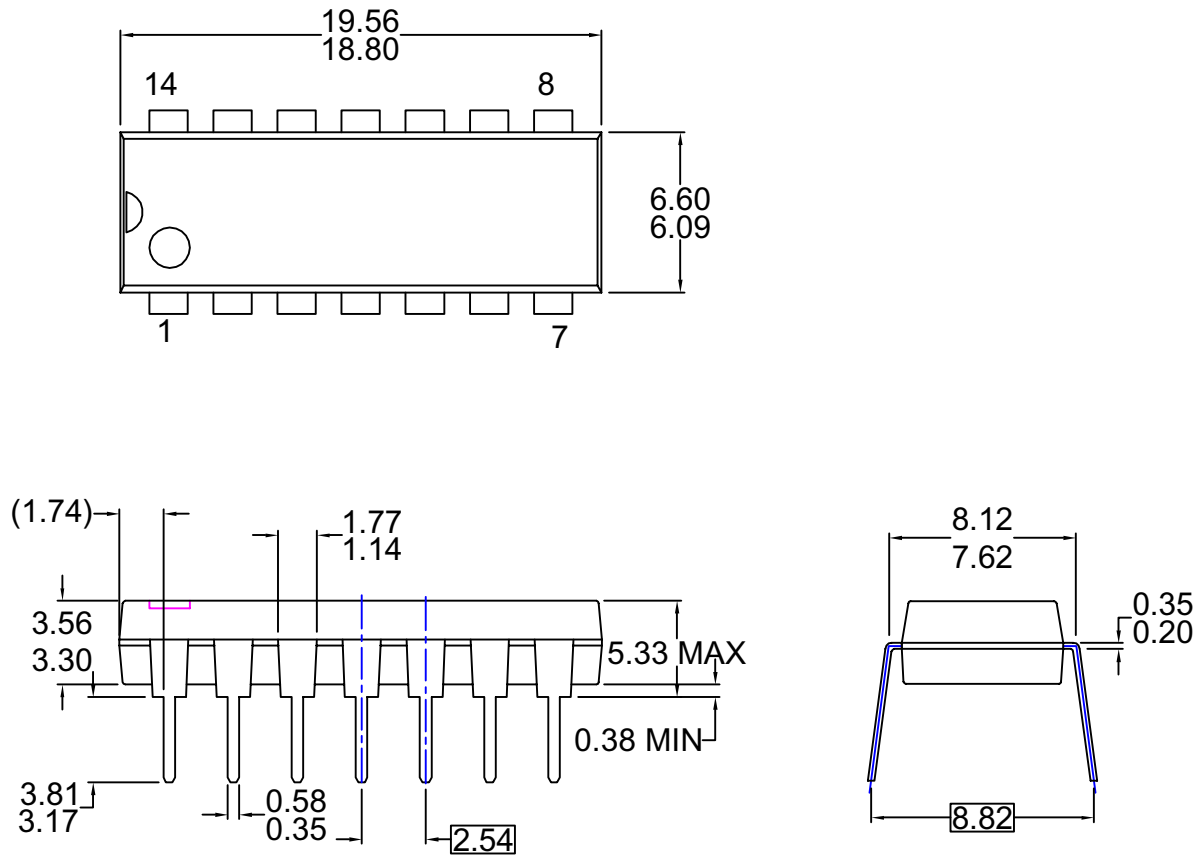
Figure 3. 14-Lead Thin Shrink Small Outline Package (TSSOP), JEDEC MO-153, 4.4mm Wide

Package drawings are provided as a service to customers considering Fairchild components. Drawings may change in any manner without notice. Please note the revision and/or date on the drawing and contact a Fairchild Semiconductor representative to verify or obtain the most recent revision. Package specifications do not expand the terms of Fairchild's worldwide terms and conditions, specifically the warranty therein, which covers Fairchild products.

Always visit Fairchild Semiconductor's online packaging area for the most recent package drawings:

<http://www.fairchildsemi.com/packaging/>

Physical Dimensions (Continued)



- NOTES: UNLESS OTHERWISE SPECIFIED**
- THIS PACKAGE CONFORMS TO**
 - A) JEDEC MS-001 VARIATION BA**
 - B) ALL DIMENSIONS ARE IN MILLIMETERS.**
 - C) DIMENSIONS ARE EXCLUSIVE OF BURRS, MOLD FLASH, AND TIE BAR EXTRUSIONS.**
 - D) DIMENSIONS AND TOLERANCES PER ASME Y14.5-1994**
 - E) DRAWING FILE NAME: MKT-N14AREV7**

Figure 4. 14-Lead Plastic Dual-In-Line Package (PDIP), JEDEC MS-001, 0.300" Wide

Package drawings are provided as a service to customers considering Fairchild components. Drawings may change in any manner without notice. Please note the revision and/or date on the drawing and contact a Fairchild Semiconductor representative to verify or obtain the most recent revision. Package specifications do not expand the terms of Fairchild's worldwide terms and conditions, specifically the warranty therein, which covers Fairchild products.

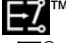

Always visit Fairchild Semiconductor's online packaging area for the most recent package drawings:

<http://www.fairchildsemi.com/packaging/>



TRADEMARKS

The following includes registered and unregistered trademarks and service marks, owned by Fairchild Semiconductor and/or its global subsidiaries, and is not intended to be an exhaustive list of all such trademarks.

- | | | | |
|-------------------------------------------------------------------------------------|----------------------------------------------|----------------------------------------|----------------------------------|
| ACEx [®] | FPS [™] | PDP-SPM [™] | SupreMOS [™] |
| Build it Now [™] | FRFET [®] | Power220 [®] | SyncFET [™] |
| CorePLUS [™] | Global Power Resource SM | POWEREDGE [®] | SYSTEM [®] |
| CROSSVOLT [™] | Green FPS [™] | Power-SPM [™] | GENERAL [®] |
| CTL [™] | Green FPS [™] e-Series [™] | PowerTrench [®] | The Power Franchise [®] |
| Current Transfer Logic [™] | GTO [™] | Programmable Active Droop [™] | power [®] |
| EcoSPARK [®] | i-Lo [™] | QFET [®] | the franchise |
| EZSWITCH [™] * | IntelliMAX [™] | QS [™] | TinyBoost [™] |
|  ™ | ISOPLANAR [™] | QT Optoelectronics [™] | TinyBuck [™] |
|  ™ | MegaBuck [™] | Quiet Series [™] | TinyLogic [®] |
| Fairchild [®] | MICROCOUPLER [™] | RapidConfigure [™] | TINYOPTO [™] |
| Fairchild Semiconductor [®] | MicroFET [™] | SMART START [™] | TinyPower [™] |
| FACT Quiet Series [™] | MicroPak [™] | SPM [®] | TinyPWM [™] |
| FACT [®] | MillerDrive [™] | STEALTH [™] | TinyWire [™] |
| FAST [®] | Motion-SPM [™] | SuperFET [™] | μSerDes [™] |
| FastvCore [™] | OPTOLOGIC [®] | SuperSOT [™] 3 | UHC [®] |
| FlashWriter [®] * | OPTOPLANAR [®] | SuperSOT [™] 6 | Ultra FRFET [™] |
| | | SuperSOT [™] 8 | UniFET [™] |
| | | | VCX [™] |

* EZSWITCH[™] and FlashWriter[®] are trademarks of System General Corporation, used under license by Fairchild Semiconductor.

DISCLAIMER

FAIRCHILD SEMICONDUCTOR RESERVES THE RIGHT TO MAKE CHANGES WITHOUT FURTHER NOTICE TO ANY PRODUCTS HEREIN TO IMPROVE RELIABILITY, FUNCTION, OR DESIGN. FAIRCHILD DOES NOT ASSUME ANY LIABILITY ARISING OUT OF THE APPLICATION OR USE OF ANY PRODUCT OR CIRCUIT DESCRIBED HEREIN; NEITHER DOES IT CONVEY ANY LICENSE UNDER ITS PATENT RIGHTS, NOR THE RIGHTS OF OTHERS. THESE SPECIFICATIONS DO NOT EXPAND THE TERMS OF FAIRCHILD'S WORLDWIDE TERMS AND CONDITIONS, SPECIFICALLY THE WARRANTY THEREIN, WHICH COVERS THESE PRODUCTS.

LIFE SUPPORT POLICY

FAIRCHILD'S PRODUCTS ARE NOT AUTHORIZED FOR USE AS CRITICAL COMPONENTS IN LIFE SUPPORT DEVICES OR SYSTEMS WITHOUT THE EXPRESS WRITTEN APPROVAL OF FAIRCHILD SEMICONDUCTOR CORPORATION.

As used herein:

1. Life support devices or systems are devices or systems which, (a) are intended for surgical implant into the body or (b) support or sustain life, and (c) whose failure to perform when properly used in accordance with instructions for use provided in the labeling, can be reasonably expected to result in a significant injury of the user.
2. A critical component in any component of a life support, device, or system whose failure to perform can be reasonably expected to cause the failure of the life support device or system, or to affect its safety or effectiveness.

PRODUCT STATUS DEFINITIONS

Definition of Terms

| Datasheet Identification | Product Status | Definition |
|--------------------------|------------------------|----------------------------------------------------------------------------------------------------------------------------------------------------------------------------------------------------------|
| Advance Information | Formative or In Design | This datasheet contains the design specifications for product development. Specifications may change in any manner without notice. |
| Preliminary | First Production | This datasheet contains preliminary data; supplementary data will be published at a later date. Fairchild Semiconductor reserves the right to make changes at any time without notice to improve design. |
| No Identification Needed | Full Production | This datasheet contains final specifications. Fairchild Semiconductor reserves the right to make changes at any time without notice to improve the design. |
| Obsolete | Not In Production | This datasheet contains specifications on a product that has been discontinued by Fairchild Semiconductor. The datasheet is printed for reference information only. |

Rev. I33