



22.5° MMIC 4-BIT DIGITAL PHASE SHIFTER MODULE, 8 - 12 GHz



Features

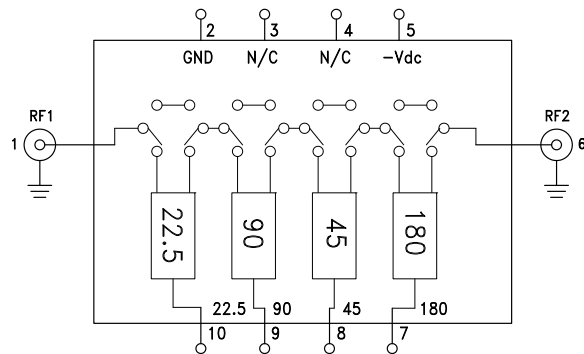
- Low RMS Phase Error: 6°
- Low Insertion Loss: 7 dB
- Excellent Flatness
- 360° Coverage, LSB = 22.5°
- Hermetically Sealed Module
- Field Replaceable SMA Female Connectors

Typical Applications

The HMC-C055 is ideal for:

- EW Receivers
- Weather & Military Radar
- Satellite Communications
- Beamforming Modules

Functional Diagram



General Description

The HMC-C055 is a 4-bit digital phase shifter which is rated from 8 to 12 GHz, providing 0 to 360 degrees of monotonic phase coverage, with a LSB of 22.5 degrees. The HMC-C055 features a very low RMS phase error of 6 degrees and a low insertion loss variation of ± 1 dB across all phase states. This high accuracy phase shifter requires a single DC voltage of -5V and is internally matched to 50 Ohms. The package is a hermetically sealed module that can utilize field replaceable SMA connectors or be used as a drop-in module.

Electrical Specifications, $T_A = +25^\circ \text{C}$, 50 Ohm System, Control Voltage = 0/+5V, -Vdc = -5V

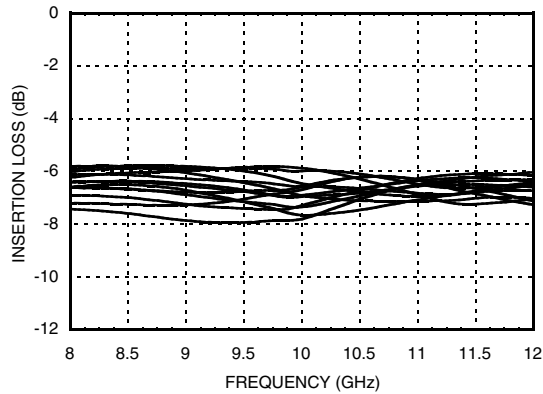
Parameter	Min.	Typ.	Max.	Units
Frequency Range	8		12	GHz
Insertion Loss*		7	8.5	dB
Input Return Loss*		10		dB
Output Return Loss*		8		dB
Phase Error*		± 10	± 17	deg
RMS Phase Error		6		deg
Gain Variation*		± 1		dB
Input Power for 1 dB Compression		24		dBm
Input Third Order Intercept		38		dBm
Control Voltage Current		2.5		mA

*Note: All States Shown

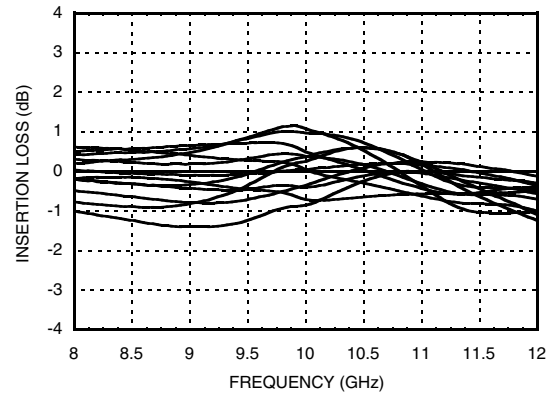


**22.5° MMIC 4-BIT DIGITAL
PHASE SHIFTER MODULE, 8 - 12 GHz**

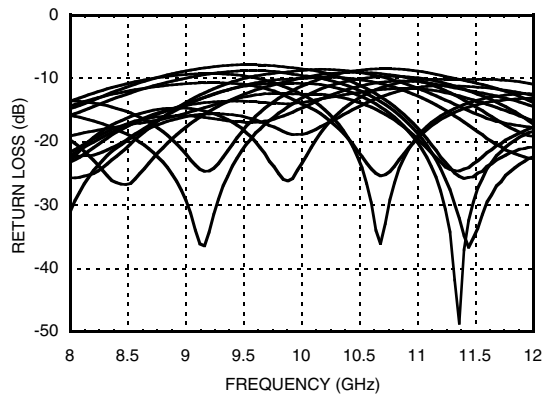
Insertion Loss, All States



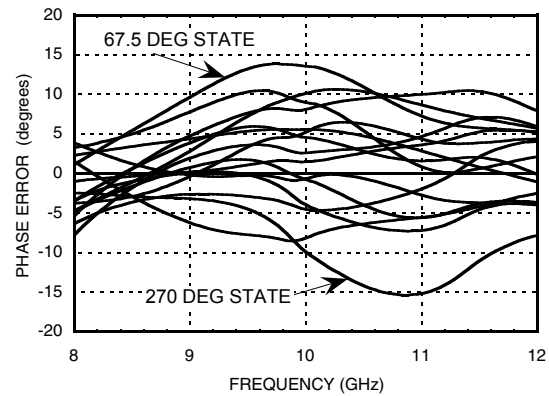
Normalized Loss, All States



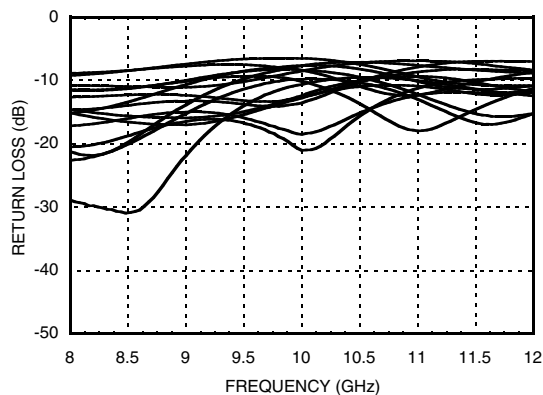
Input Return Loss, All States



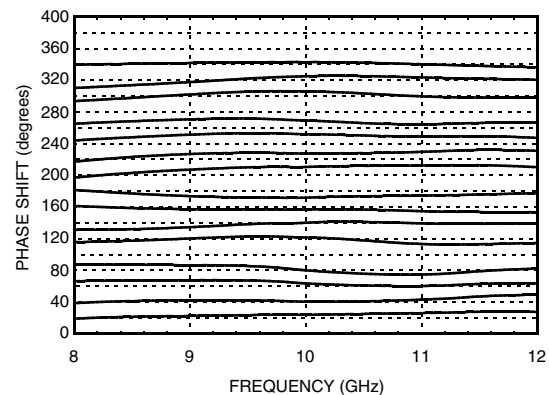
Phase Error, All States



Output Return Loss, All States



Relative Phase Shift, All States



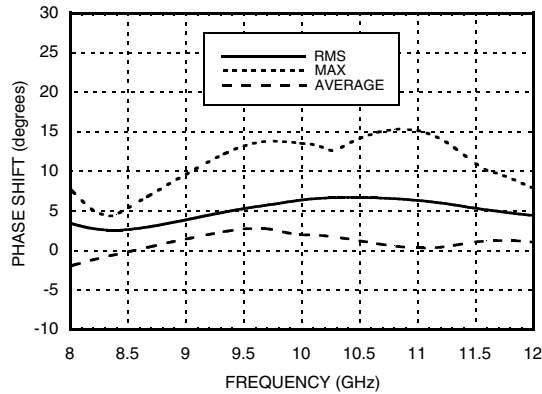
Information furnished by Analog Devices is believed to be accurate and reliable. However, no responsibility is assumed by Analog Devices for its use, nor for any infringements of patents or other rights of third parties that may result from its use. Specifications subject to change without notice. No license is granted by implication or otherwise under any patent or patent rights of Analog Devices. Trademarks and registered trademarks are the property of their respective owners.

For price, delivery, and to place orders: Analog Devices, Inc., One Technology Way, P.O. Box 9106, Norwood, MA 02062-9106 Phone: 781-329-4700 • Order online at www.analog.com Application Support: Phone: 1-800-ANALOG-D

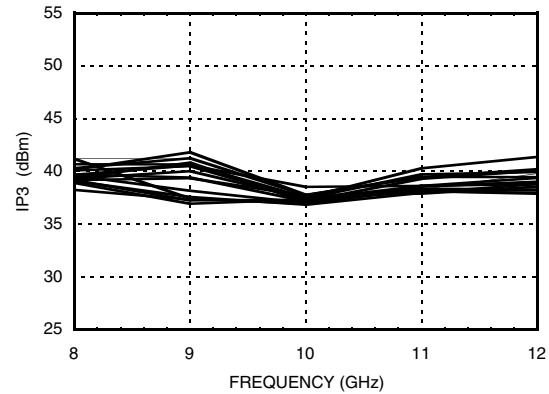


**22.5° MMIC 4-BIT DIGITAL
PHASE SHIFTER MODULE, 8 - 12 GHz**

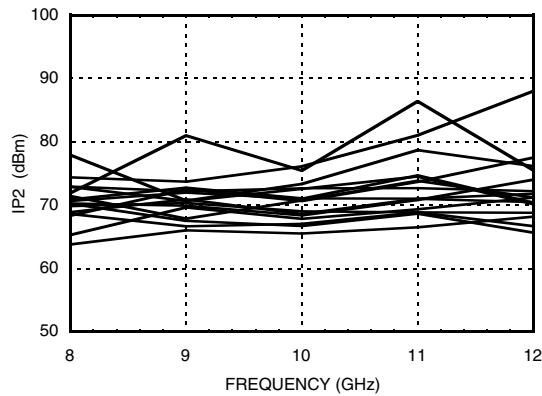
**Relative Phase Shift,
RMS, Average, Max, All States**



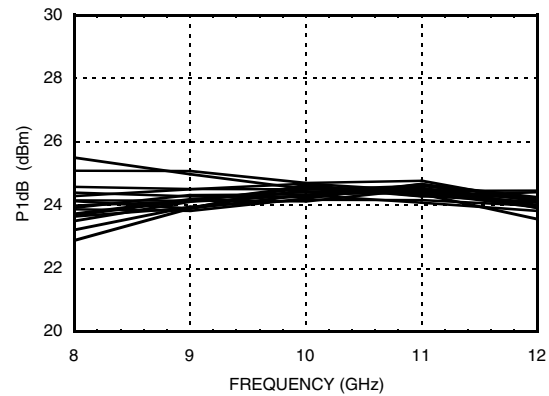
Input IP3, All States



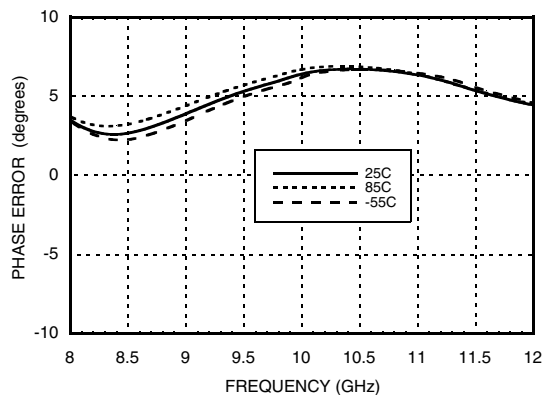
Input IP2, All States



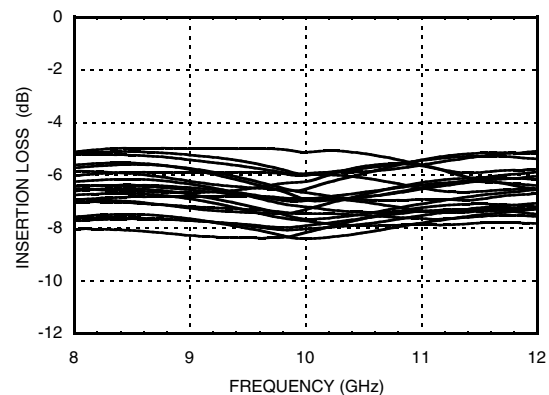
Input P1dB, All States



RMS Phase Error vs. Temperature



Insertion Loss vs. Temperature All States



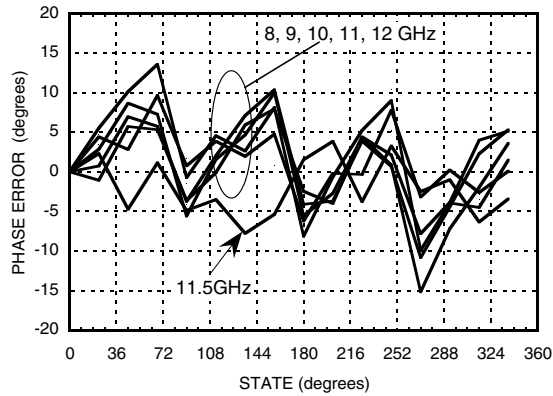
Information furnished by Analog Devices is believed to be accurate and reliable. However, no responsibility is assumed by Analog Devices for its use, nor for any infringements of patents or other rights of third parties that may result from its use. Specifications subject to change without notice. No license is granted by implication or otherwise under any patent or patent rights of Analog Devices. Trademarks and registered trademarks are the property of their respective owners.

For price, delivery, and to place orders: Analog Devices, Inc., One Technology Way, P.O. Box 9106, Norwood, MA 02062-9106 Phone: 781-329-4700 • Order online at www.analog.com Application Support: Phone: 1-800-ANALOG-D

22.5° MMIC 4-BIT DIGITAL PHASE SHIFTER MODULE, 8 - 12 GHz



Phase Error vs. State



Absolute Maximum Ratings

Input Power (RF1, RF2) (8-12 GHz)	+27 dBm (T= +85 °C)
Channel Temperature (Tc)	150 °C
Supply Voltage (-Vdc)	-5.5V
Control Voltage	5.5V
Storage Temperature	-65 to +150 °C
Operating Temperature	-40 to +85 °C

Truth Table

Control Voltage Input				Phase Shift (Degree) RFIN - RFOUT
22.5	45	90	180	
0	0	0	0	Reference
1	0	0	0	22.5
0	1	0	0	45
0	0	1	0	90
0	0	0	1	180
1	1	1	1	337.5

Any combination of the above states will provide a phase shift approximately equal to the sum of the bits selected.

Control Voltage

State	Bias Condition
Low (0)	0V
High (1)	+5V

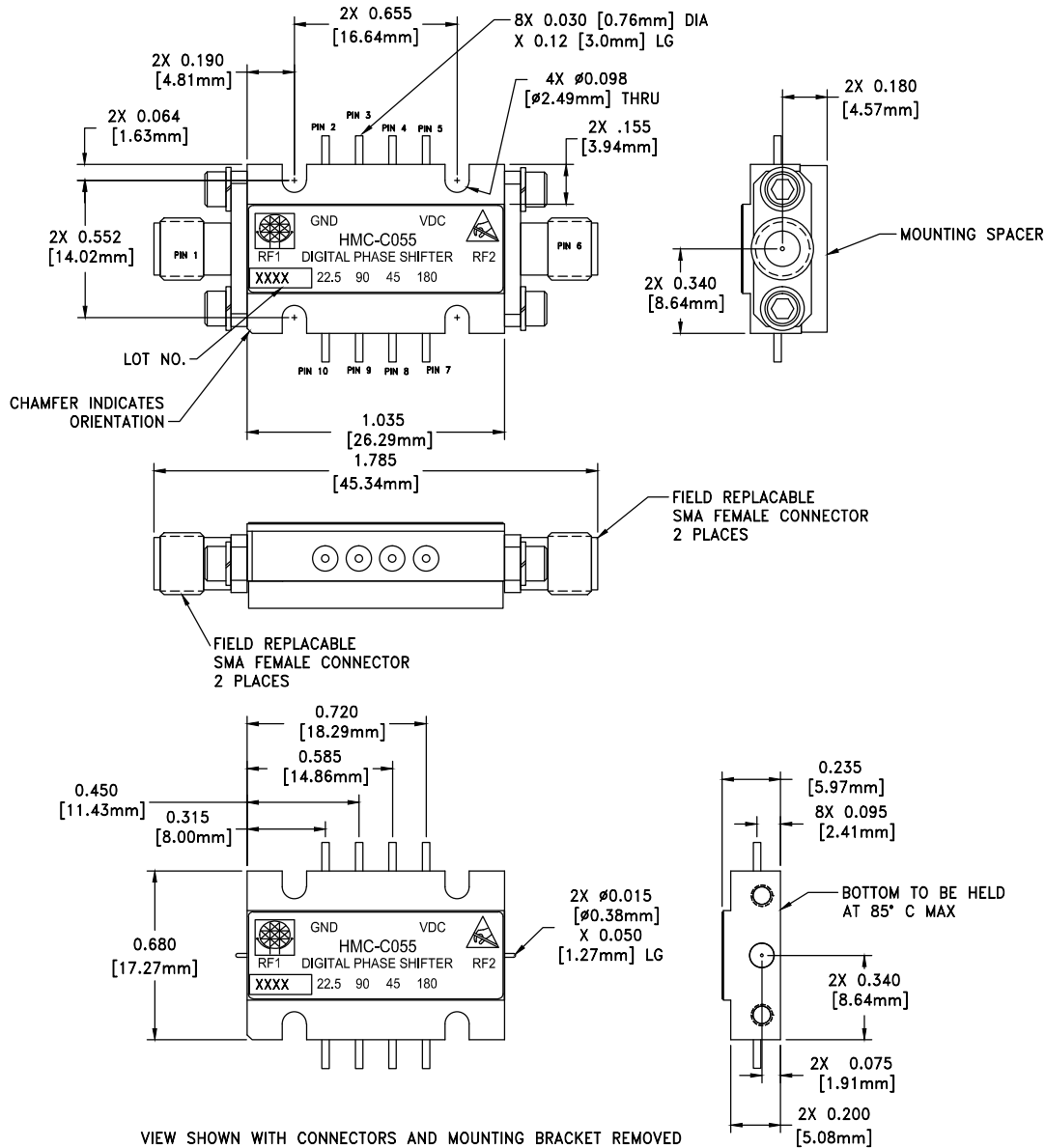


**ELECTROSTATIC SENSITIVE DEVICE
OBSERVE HANDLING PRECAUTIONS**



22.5° MMIC 4-BIT DIGITAL PHASE SHIFTER MODULE, 8 - 12 GHz

Outline Drawing



Package Information

Package Type	C-6
Package Weight [1]	17.4 gms [2]
Spacer Weight	3 gms [2]

[1] Includes the connectors

[2] ±1 gms Tolerance

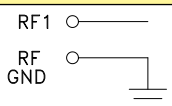
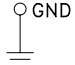
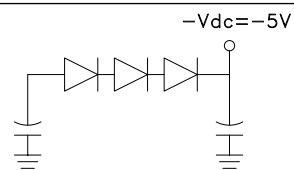
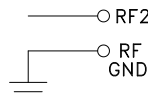
NOTES:

1. PACKAGE, LEADS, COVER MATERIAL: KOVAR™
2. PLATING: ELECTROLYTIC GOLD 50 MICROINCHES MIN., OVER ELECTROLYTIC NICKEL 75 MICROINCHES MIN
3. MOUNTING SPACER: NICKEL PLATED ALUMINUM
4. ALL DIMENSIONS ARE IN INCHES [MILLIMETERS]
5. TOLERANCES ±0.010 [0.25] UNLESS OTHERWISE SPECIFIED
6. FIELD REPLACEABLE SMA CONNECTORS TENSOLITE 5602 - 5CCSF OR EQUIVALENT
7. TO MOUNT MODULE TO SYSTEM PLATFORM REPLACE 0 - 80 HARDWARE WITH DESIRED MOUNTING SCREWS

22.5° MMIC 4-BIT DIGITAL PHASE SHIFTER MODULE, 8 - 12 GHz



Pin Descriptions

Pin Number	Function	Description	Interface Schematic
1	RF1 & RF Ground	RF input connector, coaxial female, field replaceable. This pin is AC coupled and matched to 50 Ohms.	
2	GND	This pin must be connected to RF/DC ground.	
3, 4	N/C	The pins are not connected internally; however, all data shown herein was measured with these pins connected to RF/DC ground externally.	
5	-Vdc	-5V DC Voltage	
6	RF2 & RF Ground	RF input connector, coaxial female, field replaceable. This pin is AC coupled and matched to 50 Ohms.	
7 - 10	180, 45, 90, 22.5	Control voltage input. See truth table and control voltage tables.	