

# MC74LCX16374

## Low-Voltage CMOS 16-Bit D-Type Flip-Flop

### With 5 V-Tolerant Inputs and Outputs (3-State, Non-Inverting)

The MC74LCX16374 is a high performance, non-inverting 16-bit D-type flip-flop operating from a 2.3 V to 3.6 V supply. The device is byte controlled. Each byte has separate Output Enable and Clock Pulse inputs. These control pins can be tied together for full 16-bit operation. High impedance TTL compatible inputs significantly reduce current loading to input drivers while TTL compatible outputs offer improved switching noise performance. A  $V_I$  specification of 5.5 V allows MC74LCX16374 inputs to be safely driven from 5.0 V devices.

The MC74LCX16374 consists of 16 edge-triggered flip-flops with individual D-type inputs and 5.0 V-tolerant 3-state true outputs. The buffered clocks (CPn) and buffered Output Enables ( $\overline{OE}n$ ) are common to all flip-flops within the respective byte. The flip-flops will store the state of individual D inputs that meet the setup and hold time requirements on the LOW-to-HIGH Clock (CP) transition. With the  $\overline{OE}$  LOW, the contents of the flip-flops are available at the outputs. When the  $\overline{OE}$  is HIGH, the outputs go to the high impedance state. The  $\overline{OE}$  input level does not affect the operation of the flip-flops.

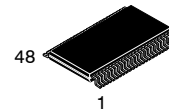
#### Features

- Designed for 2.3 to 3.6 V  $V_{CC}$  Operation
- 6.2 ns Maximum  $t_{pd}$
- 5.0 V Tolerant – Interface Capability With 5.0 V TTL Logic
- Supports Live Insertion and Withdrawal
- $I_{OFF}$  Specification Guarantees High Impedance When  $V_{CC} = 0$  V
- LVTTL Compatible
- LVCMOS Compatible
- 24 mA Balanced Output Sink and Source Capability
- Near Zero Static Supply Current in All Three Logic States (20  $\mu$ A) Substantially Reduces System Power Requirements
- Latchup Performance Exceeds 500 mA
- ESD Performance:
  - ◆ Human Body Model >2000 V
  - ◆ Machine Model >200 V
- These Devices are Pb-Free and are RoHS Compliant



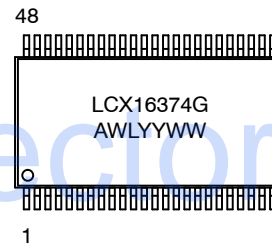
ON Semiconductor®

<http://onsemi.com>



TSSOP-48  
DT SUFFIX  
CASE 1201

#### MARKING DIAGRAM



A = Assembly Location  
WL = Wafer Lot  
YY = Year  
WW = Work Week  
G = Pb-Free Package

#### ORDERING INFORMATION

See detailed ordering and shipping information in the package dimensions section on page 3 of this data sheet.

# MC74LCX16374

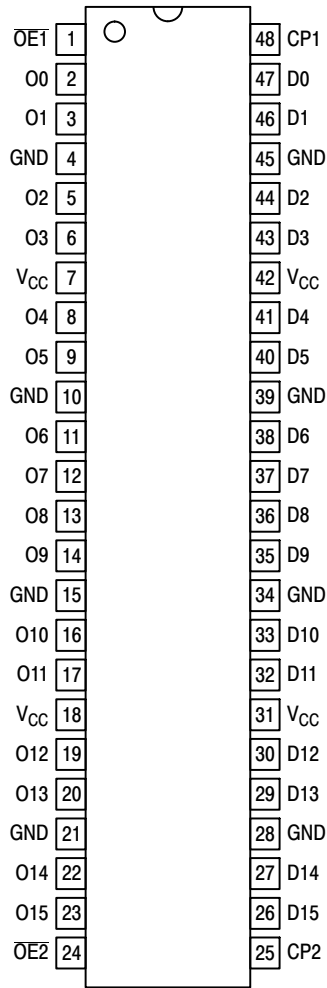


Figure 1. Pinout: 48-Lead (Top View)

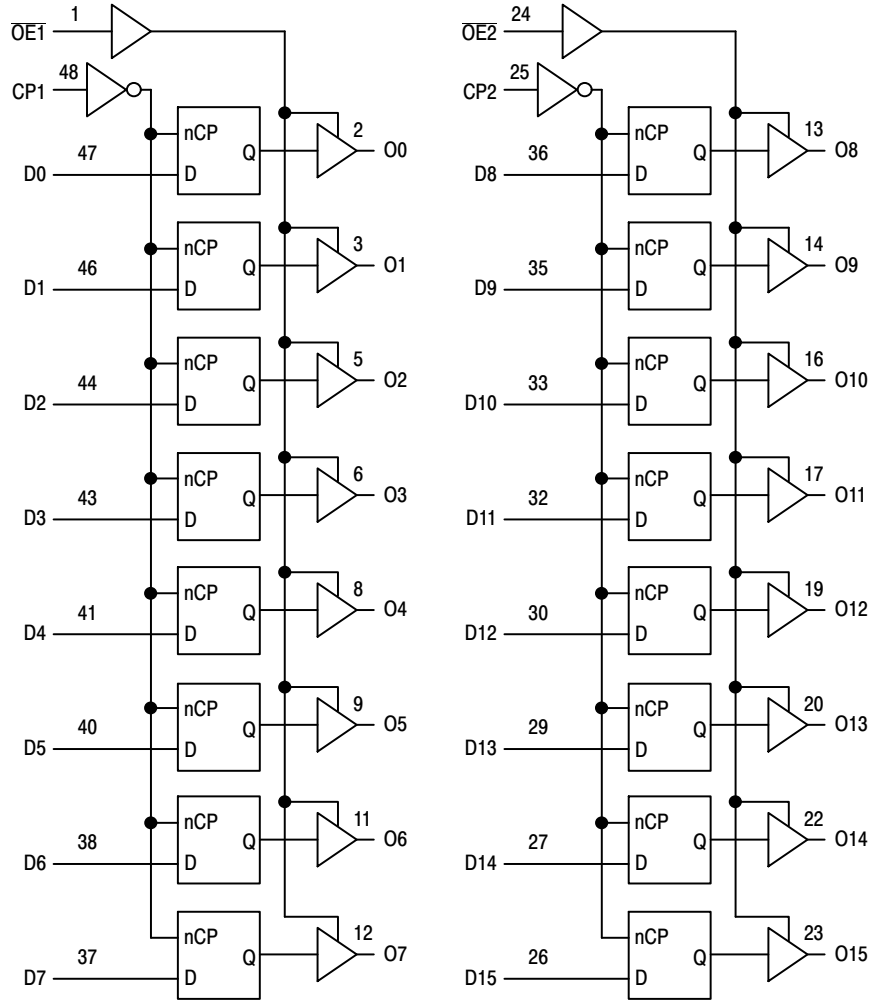


Figure 2. Logic Diagram

Table 1. PIN NAMES

| Pins             | Function             |
|------------------|----------------------|
| $\overline{OE}n$ | Output Enable Inputs |
| CPn              | Clock Pulse Inputs   |
| D0-D15           | Inputs               |
| O0-O15           | Outputs              |

## TRUTH TABLE

| Inputs |                  |      | Outputs | Inputs |                  |       | Outputs |
|--------|------------------|------|---------|--------|------------------|-------|---------|
| CP1    | $\overline{OE}1$ | D0:7 | O0:7    | CP2    | $\overline{OE}2$ | D8:15 | O8:15   |
| ↑      | L                | H    | H       | ↑      | L                | H     | H       |
| ↑      | L                | L    | L       | ↑      | L                | L     | L       |
| L      | L                | X    | O0      | L      | L                | X     | O0      |
| X      | H                | X    | Z       | X      | H                | X     | Z       |

H = High Voltage Level

L = Low Voltage Level

Z = High Impedance State

↑ = Low-to-High Transition

X = High or Low Voltage Level and Transitions Are Acceptable; for  $I_{CC}$  reasons, DO NOT FLOAT Inputs

# MC74LCX16374

## ORDERING INFORMATION

| Device           | Package   | Shipping <sup>†</sup> |
|------------------|-----------|-----------------------|
| MC74LCX16374DTG  | TSSOP-48* | 39 Units / Rail       |
| MC74LCX16374DTRG | TSSOP-48* | 2500 / Tape & Reel    |
| M74LCX16374DTR2G | TSSOP-48* | 2500 / Tape & Reel    |

<sup>†</sup>For information on tape and reel specifications, including part orientation and tape sizes, please refer to our Tape and Reel Packaging Specifications Brochure, BRD8011/D.

\*This package is inherently Pb-Free.

## MAXIMUM RATINGS

| Symbol           | Parameter                        | Condition                             | Value   | Units |
|------------------|----------------------------------|---------------------------------------|---|-------|
| V <sub>CC</sub>  | DC Supply Voltage                |                                       | -0.5 to +7.0                                  | V     |
| V <sub>I</sub>   | DC Input Voltage                 |                                       | -0.5 ≤ V <sub>I</sub> ≤ +7.0                  | V     |
| V <sub>O</sub>   | DC Output Voltage                | Output in 3-State                     | -0.5 ≤ V <sub>O</sub> ≤ +7.0                  | V     |
|                  |                                  | Output in HIGH or LOW State. (Note 1) | -0.5 ≤ V <sub>O</sub> ≤ V <sub>CC</sub> + 0.5 | V     |
| I <sub>IK</sub>  | DC Input Diode Current           | V <sub>I</sub> < GND                  | -50   | mA    |
| I <sub>OK</sub>  | DC Output Diode Current          | V <sub>O</sub> < GND                  | -50   | mA    |
|                  |                                  | V <sub>O</sub> > V <sub>CC</sub>      | +50   | mA    |
| I <sub>O</sub>   | DC Output Source/Sink Current    |                                       | ±50   | mA    |
| I <sub>CC</sub>  | DC Supply Current Per Supply Pin |                                       | ±100  | mA    |
| I <sub>GND</sub> | DC Ground Current Per Ground Pin |                                       | ±100  | mA    |
| T <sub>STG</sub> | Storage Temperature Range        |                                       | -65 to +150                                   | °C    |

Stresses exceeding Maximum Ratings may damage the device. Maximum Ratings are stress ratings only. Functional operation above the Recommended Operating Conditions is not implied. Extended exposure to stresses above the Recommended Operating Conditions may affect device reliability.

1. I<sub>O</sub> absolute maximum rating must be observed.

## RECOMMENDED OPERATING CONDITIONS

| Symbol          | Parameter  | Min | Typ      | Max             | Units |
|-----------------|--|-----|----------|-----------------|-------|
| V <sub>CC</sub> | Supply Voltage<br>Operating<br>Data Retention Only   | 2.0 | 2.5, 3.3 | 3.6             | V     |
|                 |  | 1.5 | 2.5, 3.3 | 3.6             |       |
| V <sub>I</sub>  | Input Voltage  | 0   |          | 5.5             | V     |
| V <sub>O</sub>  | Output Voltage<br>(HIGH or LOW State)<br>(3-State)   | 0   |          | V <sub>CC</sub> | V     |
|                 |  | 0   |          | 5.5             |       |
| I <sub>OH</sub> | HIGH Level Output Current<br>V <sub>CC</sub> = 3.0 V - 3.6 V<br>V <sub>CC</sub> = 2.7 V - 3.0 V<br>V <sub>CC</sub> = 2.3 V - 2.7 V |     |          | -24             | mA    |
|                 |  |     |          | -12             |       |
|                 |  |     |          | -8              |       |
| I <sub>OL</sub> | LOW Level Output Current<br>V <sub>CC</sub> = 3.0 V - 3.6 V<br>V <sub>CC</sub> = 2.7 V - 3.0 V<br>V <sub>CC</sub> = 2.3 V - 2.7 V  |     |          | +24             | mA    |
|                 |  |     |          | +12             |       |
|                 |  |     |          | +8              |       |
| T <sub>A</sub>  | Operating Free-Air Temperature   | -55 |          | +125            | °C    |
| Δt/ΔV           | Input Transition Rise or Fall Rate, V <sub>IN</sub> from 0.8 V to 2.0 V, V <sub>CC</sub> = 3.0 V                                   | 0   |          | 10              | ns/V  |

# MC74LCX16374

## DC ELECTRICAL CHARACTERISTICS

| Symbol           | Characteristic                        | Condition  | T <sub>A</sub> = -55°C to +125°C |      | Units |
|------------------|---------------------------------------|--|----------------------------------|------|-------|
|                  |                                       |  | Min                              | Max  |       |
| V <sub>IH</sub>  | HIGH Level Input Voltage (Note 2)     | 2.3 V ≤ V <sub>CC</sub> ≤ 2.7 V  | 1.7                              |      | V     |
|                  |                                       | 2.7 V ≤ V <sub>CC</sub> ≤ 3.6 V  | 2.0                              |      |       |
| V <sub>IL</sub>  | LOW Level Input Voltage (Note 2)      | 2.3 V ≤ V <sub>CC</sub> ≤ 2.7 V  |                                  | 0.7  | V     |
|                  |                                       | 2.7 V ≤ V <sub>CC</sub> ≤ 3.6 V  |                                  | 0.8  |       |
| V <sub>OH</sub>  | HIGH Level Output Voltage             | 2.3 V ≤ V <sub>CC</sub> ≤ 3.6 V; I <sub>OL</sub> = 100 μA  | V <sub>CC</sub> - 0.2            |      | V     |
|                  |                                       | V <sub>CC</sub> = 2.3 V; I <sub>OH</sub> = -8 mA   | 1.8                              |      |       |
|                  |                                       | V <sub>CC</sub> = 2.7 V; I <sub>OH</sub> = -12 mA  | 2.2                              |      |       |
|                  |                                       | V <sub>CC</sub> = 3.0 V; I <sub>OH</sub> = -18 mA  | 2.4                              |      |       |
|                  |                                       | V <sub>CC</sub> = 3.0 V; I <sub>OH</sub> = -24 mA  | 2.2                              |      |       |
| V <sub>OL</sub>  | LOW Level Output Voltage              | 2.3 V ≤ V <sub>CC</sub> ≤ 3.6 V; I <sub>OL</sub> = 100 μA  |                                  | 0.2  | V     |
|                  |                                       | V <sub>CC</sub> = 2.3 V; I <sub>OL</sub> = 8 mA  |                                  | 0.6  |       |
|                  |                                       | V <sub>CC</sub> = 2.7 V; I <sub>OL</sub> = 12 mA   |                                  | 0.4  |       |
|                  |                                       | V <sub>CC</sub> = 3.0 V; I <sub>OL</sub> = 16 mA   |                                  | 0.4  |       |
|                  |                                       | V <sub>CC</sub> = 3.0 V; I <sub>OL</sub> = 24 mA   |                                  | 0.55 |       |
| I <sub>I</sub>   | Input Leakage Current                 | 2.3 V ≤ V <sub>CC</sub> ≤ 3.6 V; 0 V ≤ V <sub>I</sub> ≤ 5.5 V  |                                  | ±5.0 | μA    |
| I <sub>OZ</sub>  | 3-State Output Current                | 2.3 ≤ V <sub>CC</sub> ≤ 3.6 V; 0V ≤ V <sub>O</sub> ≤ 5.5 V;<br>V <sub>I</sub> = V <sub>IH</sub> or V <sub>IL</sub> |                                  | ±5.0 | μA    |
| I <sub>OFF</sub> | Power-Off Leakage Current             | V <sub>CC</sub> = 0 V; V <sub>I</sub> or V <sub>O</sub> = 5.5 V  |                                  | 10   | μA    |
| I <sub>CC</sub>  | Quiescent Supply Current              | 2.3 ≤ V <sub>CC</sub> ≤ 3.6 V; V <sub>I</sub> = GND or V <sub>CC</sub>   |                                  | 20   | μA    |
|                  |                                       | 2.3 ≤ V <sub>CC</sub> ≤ 3.6 V; 3.6 ≤ V <sub>I</sub> or V <sub>O</sub> ≤ 5.5 V                                      |                                  | ±20  | μA    |
| ΔI <sub>CC</sub> | Increase in I <sub>CC</sub> per Input | 2.3 ≤ V <sub>CC</sub> ≤ 3.6 V; V <sub>IH</sub> = V <sub>CC</sub> - 0.6 V   |                                  | 500  | μA    |

2. These values of V<sub>I</sub> are used to test DC electrical characteristics only.

## AC CHARACTERISTICS (t<sub>R</sub> = t<sub>F</sub> = 2.5 ns; C<sub>L</sub> = 50 pF; R<sub>L</sub> = 500 Ω)

| Symbol                                 | Parameter                                       | Waveform | T <sub>A</sub> = -55°C to +125°C                          |     |   |     |   |     | Units |
|--|---|----------|---|-----|---|-----|---|-----|-------|
|  |   |          | V <sub>CC</sub> = 3.3 V ± 0.3 V<br>C <sub>L</sub> = 50 pF |     | V <sub>CC</sub> = 2.7 V<br>C <sub>L</sub> = 50 pF |     | V <sub>CC</sub> = 2.5 V ± 0.2 V<br>C <sub>L</sub> = 30 pF |     |       |
|  |   |          | Min   | Max | Min   | Max | Min   | Max |       |
| f <sub>max</sub>                       | Clock Pulse Frequency                           | 1        | 170   |     |   |     |   |     | MHz   |
| t <sub>PLH</sub><br>t <sub>PHL</sub>   | Propagation Delay<br>CP to O <sub>n</sub>       | 1        | 1.5   | 6.2 | 1.5   | 6.5 | 1.5   | 7.4 | ns    |
|  |   |          | 1.5   | 6.2 | 1.5   | 6.5 | 1.5   | 7.4 |       |
| t <sub>PZH</sub><br>t <sub>PZL</sub>   | Output Enable Time to<br>High and Low Level     | 2        | 1.5   | 6.1 | 1.5   | 6.3 | 1.5   | 7.9 | ns    |
|  |   |          | 1.5   | 6.1 | 1.5   | 6.3 | 1.5   | 7.9 |       |
| t <sub>PHZ</sub><br>t <sub>PLZ</sub>   | Output Disable Time From<br>High and Low Level  | 2        | 1.5   | 6.0 | 1.5   | 6.2 | 1.5   | 7.2 | ns    |
|  |   |          | 1.5   | 6.0 | 1.5   | 6.2 | 1.5   | 7.2 |       |
| t <sub>s</sub>                         | Setup Time, HIGH or LOW D <sup>n</sup> to<br>CP | 1        | 2.5   |     | 2.5   |     | 3.0   |     | ns    |
| t <sub>h</sub>                         | Hold Time, HIGH or LOW D <sup>n</sup> to CP     | 1        | 1.5   |     | 1.5   |     | 2.0   |     | ns    |
| t <sub>w</sub>                         | CP Pulse Width, HIGH                            | 3        | 3.0   |     | 3.0   |     | 3.5   |     | ns    |
| t <sub>OSHL</sub><br>t <sub>OSLH</sub> | Output-to-Output Skew<br>(Note 3)               |          |   | 1.0 |   |     |   |     | ns    |

3. Skew is defined as the absolute value of the difference between the actual propagation delay for any two separate outputs of the same device. The specification applies to any outputs switching in the same direction, either HIGH-to-LOW (t<sub>OSHL</sub>) or LOW-to-HIGH (t<sub>OSLH</sub>); parameter guaranteed by design.

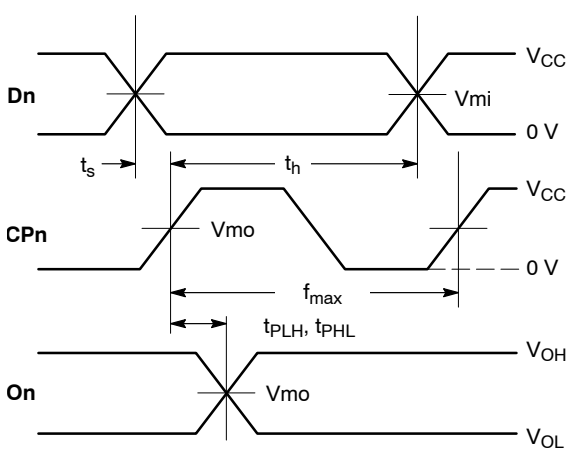
**DYNAMIC SWITCHING CHARACTERISTICS**

| Symbol           | Characteristic                         | Condition  | T <sub>A</sub> = +25°C |              |     | Units |
|------------------|--|--|------------------------|--------------|-----|-------|
|                  |  |  | Min                    | Typ          | Max |       |
| V <sub>OLP</sub> | Dynamic LOW Peak Voltage<br>(Note 4)   | V <sub>CC</sub> = 3.3 V, C <sub>L</sub> = 50 pF, V <sub>IH</sub> = 3.3 V, V <sub>IL</sub> = 0 V<br>V <sub>CC</sub> = 2.5 V, C <sub>L</sub> = 30 pF, V <sub>IH</sub> = 2.5 V, V <sub>IL</sub> = 0 V |                        | 0.8<br>0.6   |     | V     |
| V <sub>OLV</sub> | Dynamic LOW Valley Voltage<br>(Note 4) | V <sub>CC</sub> = 3.3 V, C <sub>L</sub> = 50 pF, V <sub>IH</sub> = 3.3 V, V <sub>IL</sub> = 0 V<br>V <sub>CC</sub> = 2.5 V, C <sub>L</sub> = 30 pF, V <sub>IH</sub> = 2.5 V, V <sub>IL</sub> = 0 V |                        | -0.8<br>-0.6 |     | V     |

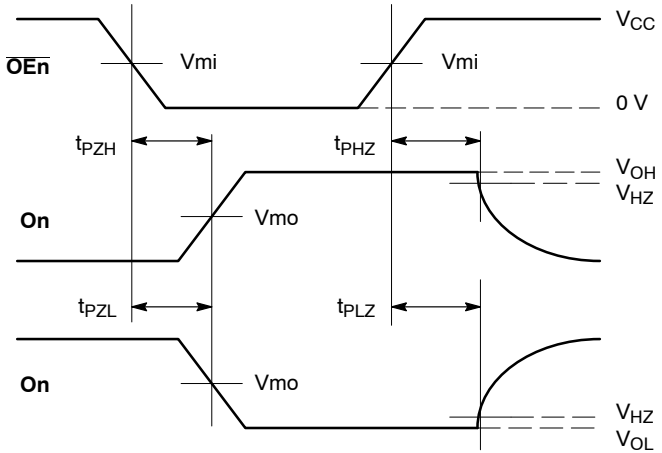
4. Number of outputs defined as “n”. Measured with “n-1” outputs switching from HIGH-to-LOW or LOW-to-HIGH. The remaining output is measured in the LOW state.

**CAPACITIVE CHARACTERISTICS**

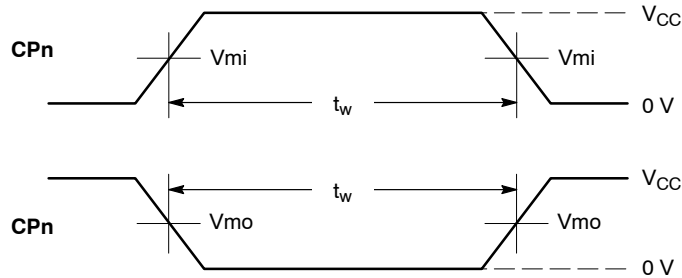
| Symbol           | Parameter                     | Condition  | Typical | Units |
|------------------|-------------------------------|--|---------|-------|
| C <sub>IN</sub>  | Input Capacitance             | V <sub>CC</sub> = 3.3 V, V <sub>I</sub> = 0 V or V <sub>CC</sub>         | 7       | pF    |
| C <sub>OUT</sub> | Output Capacitance            | V <sub>CC</sub> = 3.3 V, V <sub>I</sub> = 0 V or V <sub>CC</sub>         | 8       | pF    |
| C <sub>PD</sub>  | Power Dissipation Capacitance | 10 MHz, V <sub>CC</sub> = 3.3 V, V <sub>I</sub> = 0 V or V <sub>CC</sub> | 20      | pF    |



**WAVEFORM 1 - PROPAGATION DELAYS, SETUP AND HOLD TIMES**  
 $t_R = t_F = 2.5 \text{ ns}$ , 10% to 90%;  $f = 1 \text{ MHz}$ ;  $t_W = 500 \text{ ns}$



**WAVEFORM 2 - OUTPUT ENABLE AND DISABLE TIMES**  
 $t_R = t_F = 2.5 \text{ ns}$ , 10% to 90%;  $f = 1 \text{ MHz}$ ;  $t_W = 500 \text{ ns}$



**WAVEFORM 3 - PULSE WIDTH**  
 $t_R = t_F = 2.5 \text{ ns}$  (or fast as required) from 10% to 90%;  
 Output requirements:  $V_{OL} \leq 0.8 \text{ V}$ ,  $V_{OH} \geq 2.0 \text{ V}$

**Figure 3. AC Waveforms**

**Table 2. AC WAVEFORMS**

| Symbol          | V <sub>CC</sub>         |                         |                          |
|-----------------|-------------------------|-------------------------|--------------------------|
|                 | 3.3 V ± 0.3 V           | 2.7 V                   | 2.5 V ± 0.2 V            |
| V <sub>mi</sub> | 1.5 V                   | 1.5 V                   | V <sub>CC</sub> / 2      |
| V <sub>mo</sub> | 1.5 V                   | 1.5 V                   | V <sub>CC</sub> / 2      |
| V <sub>HZ</sub> | V <sub>OL</sub> + 0.3 V | V <sub>OL</sub> + 0.3 V | V <sub>OL</sub> + 0.15 V |
| V <sub>LZ</sub> | V <sub>OH</sub> - 0.3 V | V <sub>OH</sub> - 0.3 V | V <sub>OH</sub> - 0.15 V |

# MC74LCX16374

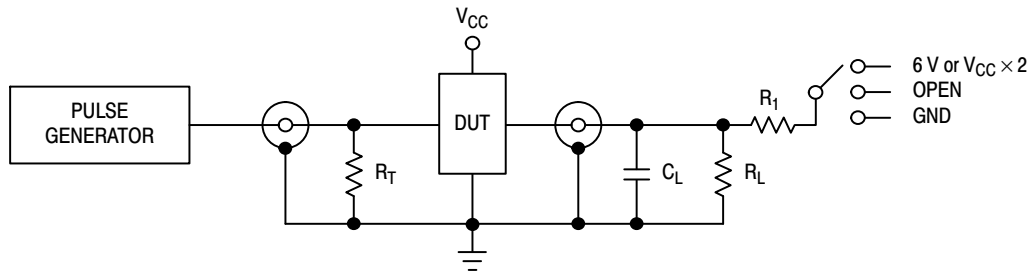


Figure 4. Test Circuit

Table 3. TEST CIRCUIT

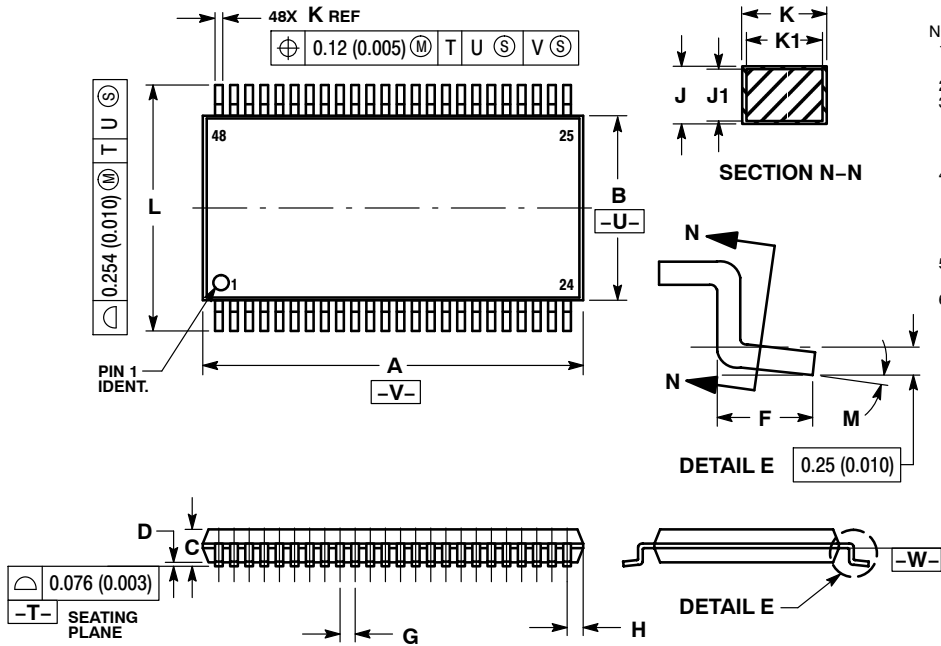
| Test   | Switch   |
|--|--|
| $t_{PLH}$ , $t_{PHL}$                        | Open   |
| $t_{PZL}$ , $t_{PLZ}$                        | 6 V at $V_{CC} = 3.3 \pm 0.3$ V<br>6 V at $V_{CC} = 2.5 \pm 0.2$ V |
| Open Collector/Drain $t_{PLH}$ and $t_{PHL}$ | 6 V  |
| $t_{PZH}$ , $t_{PHZ}$                        | GND  |

$C_L = 50$  pF at  $V_{CC} = 3.3 \pm 0.3$  V or equivalent (includes jig and probe capacitance)  
 $C_L = 30$  pF at  $V_{CC} = 2.5 \pm 0.2$  V or equivalent (includes jig and probe capacitance)  
 $R_L = R_1 = 500 \Omega$  or equivalent  
 $R_T = Z_{OUT}$  of pulse generator (typically  $50 \Omega$ )

# MC74LCX16374

## PACKAGE DIMENSIONS

TSSOP-48  
DT SUFFIX  
CASE 1201-01  
ISSUE B

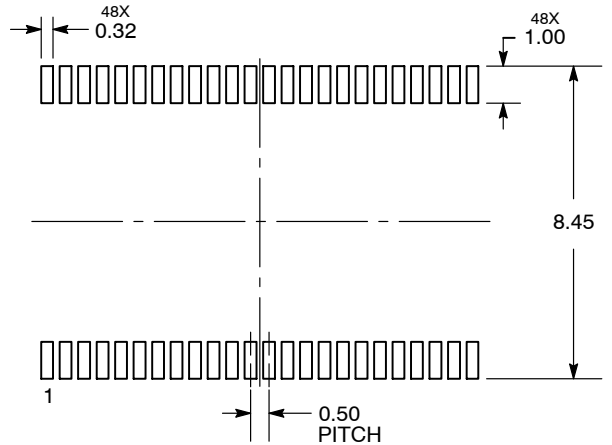


**NOTES:**

1. DIMENSIONING AND TOLERANCING PER ANSI Y14.5M, 1982.
2. CONTROLLING DIMENSION: MILLIMETER.
3. DIMENSIONS A AND B DO NOT INCLUDE MOLD FLASH, PROTRUSIONS OR GATE BURRS. MOLD FLASH OR GATE BURRS SHALL NOT EXCEED 0.15 (0.006) PER SIDE.
4. DIMENSION K DOES NOT INCLUDE DAMBAR PROTRUSION. ALLOWABLE DAMBAR PROTRUSION SHALL BE 0.08 (0.003) TOTAL IN EXCESS OF THE K DIMENSION AT MAXIMUM MATERIAL CONDITION.
5. TERMINAL NUMBERS ARE SHOWN FOR REFERENCE ONLY.
6. DIMENSIONS A AND B ARE TO BE DETERMINED AT DATUM PLANE -W-.

| DIM | MILLIMETERS |       | INCHES     |       |
|-----|-------------|-------|------------|-------|
|     | MIN         | MAX   | MIN        | MAX   |
| A   | 12.40       | 12.60 | 0.488      | 0.496 |
| B   | 6.00        | 6.20  | 0.236      | 0.244 |
| C   | ---         | 1.10  | ---        | 0.043 |
| D   | 0.05        | 0.15  | 0.002      | 0.006 |
| F   | 0.50        | 0.75  | 0.020      | 0.030 |
| G   | 0.50 BSC    |       | 0.0197 BSC |       |
| H   | 0.37        | ---   | 0.015      | ---   |
| J   | 0.09        | 0.20  | 0.004      | 0.008 |
| J1  | 0.09        | 0.16  | 0.004      | 0.006 |
| K   | 0.17        | 0.27  | 0.007      | 0.011 |
| K1  | 0.17        | 0.23  | 0.007      | 0.009 |
| L   | 7.95        | 8.25  | 0.313      | 0.325 |
| M   | 0°          | 8°    | 0°         | 8°    |

### RECOMMENDED SOLDERING FOOTPRINT



DIMENSIONS: MILLIMETERS

ON Semiconductor and are registered trademarks of Semiconductor Components Industries, LLC (SCILLC). SCILLC reserves the right to make changes without further notice to any products herein. SCILLC makes no warranty, representation or guarantee regarding the suitability of its products for any particular purpose, nor does SCILLC assume any liability arising out of the application or use of any product or circuit, and specifically disclaims any and all liability, including without limitation special, consequential or incidental damages. "Typical" parameters which may be provided in SCILLC data sheets and/or specifications can and do vary in different applications and actual performance may vary over time. All operating parameters, including "Typicals" must be validated for each customer application by customer's technical experts. SCILLC does not convey any license under its patent rights nor the rights of others. SCILLC products are not designed, intended, or authorized for use as components in systems intended for surgical implant into the body, or other applications intended to support or sustain life, or for any other application in which the failure of the SCILLC product could create a situation where personal injury or death may occur. Should Buyer purchase or use SCILLC products for any such unintended or unauthorized application, Buyer shall indemnify and hold SCILLC and its officers, employees, subsidiaries, affiliates, and distributors harmless against all claims, costs, damages, and expenses, and reasonable attorney fees arising out of, directly or indirectly, any claim of personal injury or death associated with such unintended or unauthorized use, even if such claim alleges that SCILLC was negligent regarding the design or manufacture of the part. SCILLC is an Equal Opportunity/Affirmative Action Employer. This literature is subject to all applicable copyright laws and is not for resale in any manner.

### PUBLICATION ORDERING INFORMATION

**LITERATURE FULFILLMENT:**  
Literature Distribution Center for ON Semiconductor  
P.O. Box 5163, Denver, Colorado 80217 USA  
**Phone:** 303-675-2175 or 800-344-3860 Toll Free USA/Canada  
**Fax:** 303-675-2176 or 800-344-3867 Toll Free USA/Canada  
**Email:** orderlit@onsemi.com

**N. American Technical Support:** 800-282-9855 Toll Free  
USA/Canada  
**Europe, Middle East and Africa Technical Support:**  
Phone: 421 33 790 2910  
**Japan Customer Focus Center**  
Phone: 81-3-5773-3850

**ON Semiconductor Website:** [www.onsemi.com](http://www.onsemi.com)  
**Order Literature:** <http://www.onsemi.com/orderlit>

For additional information, please contact your local Sales Representative