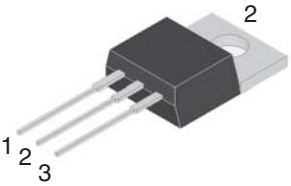
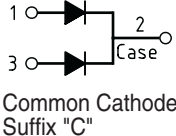


## 10 Amp. Schottky Barrier Rectifier

<b>TO-220AB</b>     Common Cathode Suffix "C"	<b>Voltage</b> 45 to 200 V	<b>Current</b> 10 A
	<ul style="list-style-type: none"> <li>• Metal silicon junction, majority carrier conduction</li> <li>• High current capability</li> <li>• The plastic material U/L recognition 94 V-0</li> <li>• Terminals: Leads solderable per MIL-STD202</li> <li>• Low forward Voltage drop</li> </ul>	

### Absolute Maximum Ratings, according to IEC publication No. 134

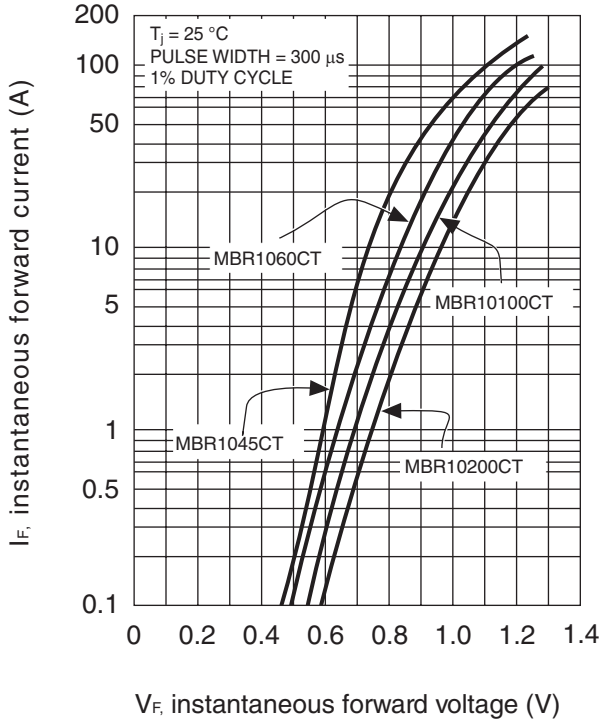
		MBR1045CT	MBR1060CT	MBR10100CT	MBR10200CT
$V_{RRM}$	Peak recurrent reverse voltage (V)	45	60	100	200
$V_{RMS}$	Maximum RMS voltage (V)	31	42	70	140
$V_{DC}$	Maximum DC blocking voltage (V)	45	60	100	200
$I_{F(AV)}$	Maximum average Forward current at $T_C = 125\text{ }^\circ\text{C}$ (both diodes conducting)	10 A			
$I_{FSM}$	8.3 ms. peak forward surge current (Jedec Method)	120 A			
$I_{RRM}$	Peak repetitive reverse surge current	1.0 A			0.5 A
$T_j$	Operating temperature range	- 65 to + 150 °C			
$T_{stg}$	Storage temperature range	- 65 to + 175 °C			

### Electrical Characteristics

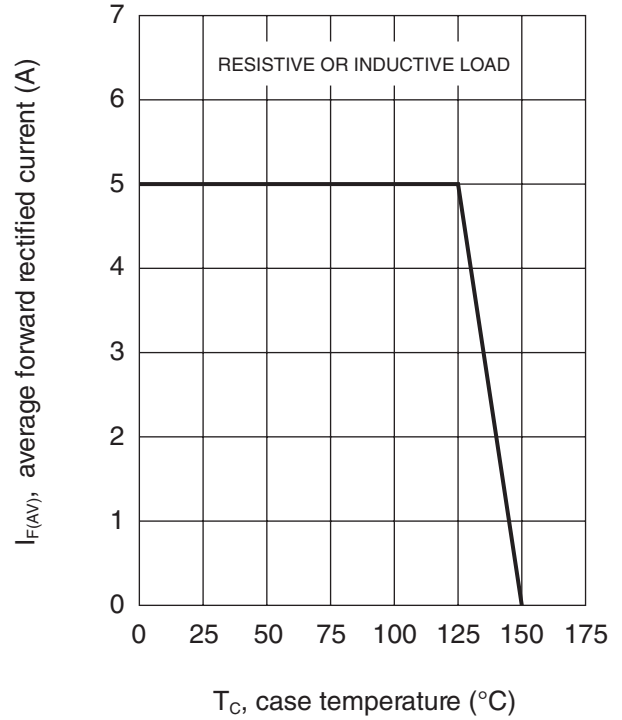
			MBR1045CT	MBR1060CT	MBR10100CT	MBR10200CT
$V_F$	Max. forward voltage drop at $I_F = 5\text{ A}$	$T_j = 25\text{ }^\circ\text{C}$	0.70 V	0.80 V	0.85 V	0.88 V
		$T_j = 125\text{ }^\circ\text{C}$	0.57 V	0.65 V	0.75 V	0.78 V
$I_R$	Max. Instantaneous reverse current at $V_R = V_{RRMax}$	$T_j = 25\text{ }^\circ\text{C}$	0.10 mA			
$R_{thj-c}$	Typical Thermal Resistance	1.5 °C/W				

**10 Amp. Schottky Barrier Rectifier**

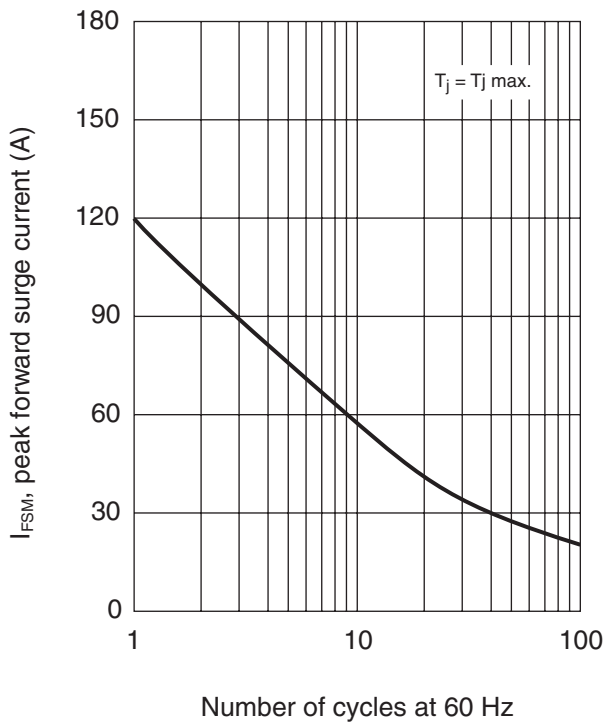
TYPICAL FORWARD CHARACTERISTIC



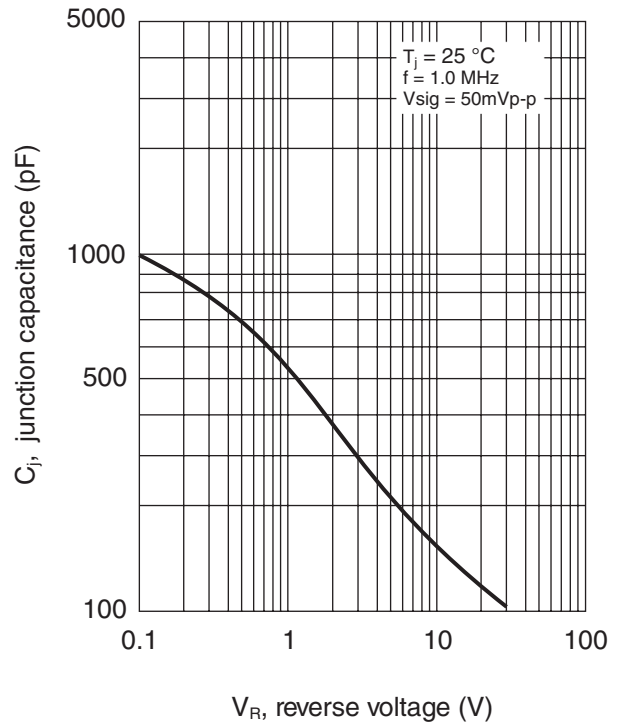
FORWARD CURRENT DERATING CURVE



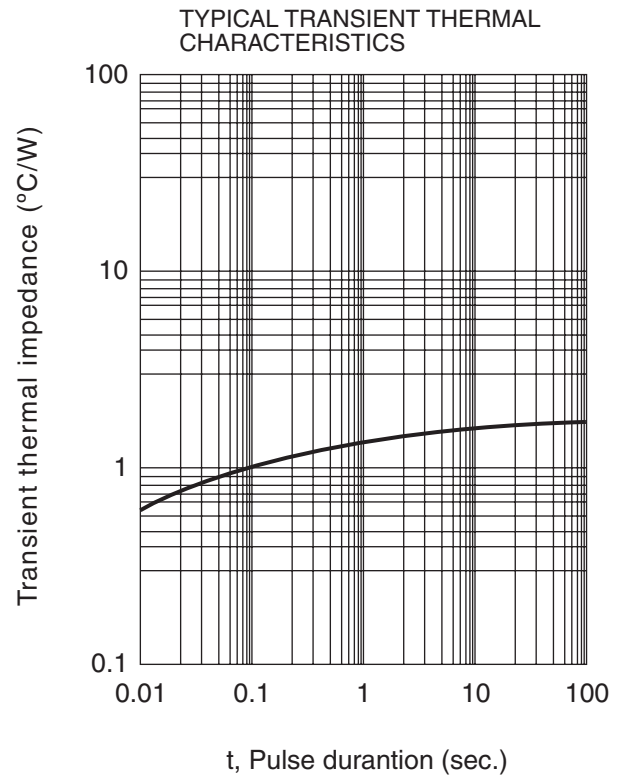
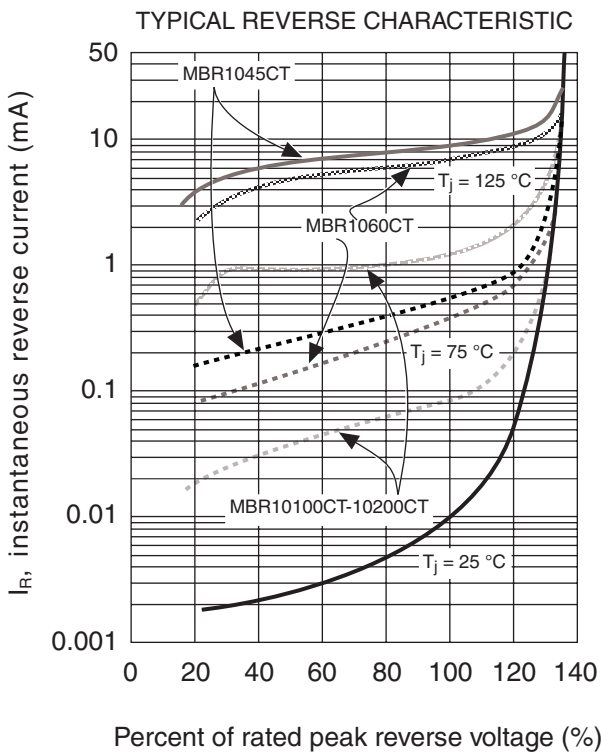
MAXIMUM NON-REPETITIVE PEAK FORWARD SURGE CURRENT



TYPICAL JUNCTION CAPACITANCE

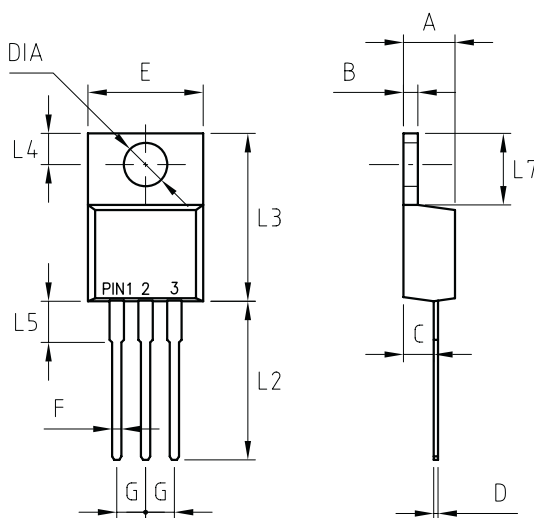


### 10 Amp. Schottky Barrier Rectifier



#### PACKAGE MECHANICAL DATA

#### TO-220AB



REF.	DIMENSIONS	
	Millimeters	
	Min.	Max.
A	4.44	4.70
B	1.14	1.40
C	2.54	2.79
D	0.35	0.64
E	--	10.5
F	0.68	0.94
G	2.41	2.67
L2	13.46	14.22
L3	14.90	15.10
L4	2.62	2.87
L5	3.56	4.06
L7	5.84	6.86
DIA	3.74	3.91