

GALLO 1.0

PV BUILD

2006.02.08

Datashet.Directory

DATE	CHANGE NO.	REV

DRAWER	EE	DATE	POWER	DATE	INVENTEC			
DESIGN					TITLE GALLO 1.0			
CHECK								
RESPONSIBLE								
SIZE =	3			VER :	SIZE	CODE	DOC. NUMBER	REV
FILE NAME :	XXXX-XXXXXX-XX				A3	CS	Model No	A01
P/N	XXXXXXXXXXXX				SHEET	1	OF	58

TABLE OF CONTENTS

PAGE

5- DC& BATTERY CHARGER
 6- SELECT & BATTERY CONN
 7- SYSTEM POWER(3V/5V)
 8- SYSTEM POWER(V2.5S/V1.5A)
 9- SYSTEM POWER(VCCP/VGAVCC)
 10- SYSTEM POWER(V1.8/V0.9S)
 11- CPU POWER(VCC_CORE)
 12- DDR TERMINATION VOLTAGE
 13- POWER(SLEEP)
 14- POWER(SEQUENCE)
 15- CLOCK_GENERATOR
 16- YOHNA-1
 17- YOHNA-2
 18- YOHNA-3
 19- YOHNA-4
 20- THERMAL&FAN CONTROLLER
 21- CALISTOGA-1
 22- CALISTOGA-2

PAGE

23- CALISTOGA-3
 24- CALISTOGA-4
 25- CALISTOGA-5
 26- DDR2-DIMM0
 27- DDR2-DIMM1
 28- DDR2-DAMPING
 29- CRT & SVEDIO CONN
 30- LCD CONN
 31- ICH7-1
 32- ICH7-2
 33- ICH7-3
 34- ICH7-4
 35- ICH7-5
 36- KBC
 37- SPI/HDD PROTECTION
 38- INT.KBC/POINT DEVICES
 39- SUPER I/O
 40- AC97/AZALIA CODEC

PAGE

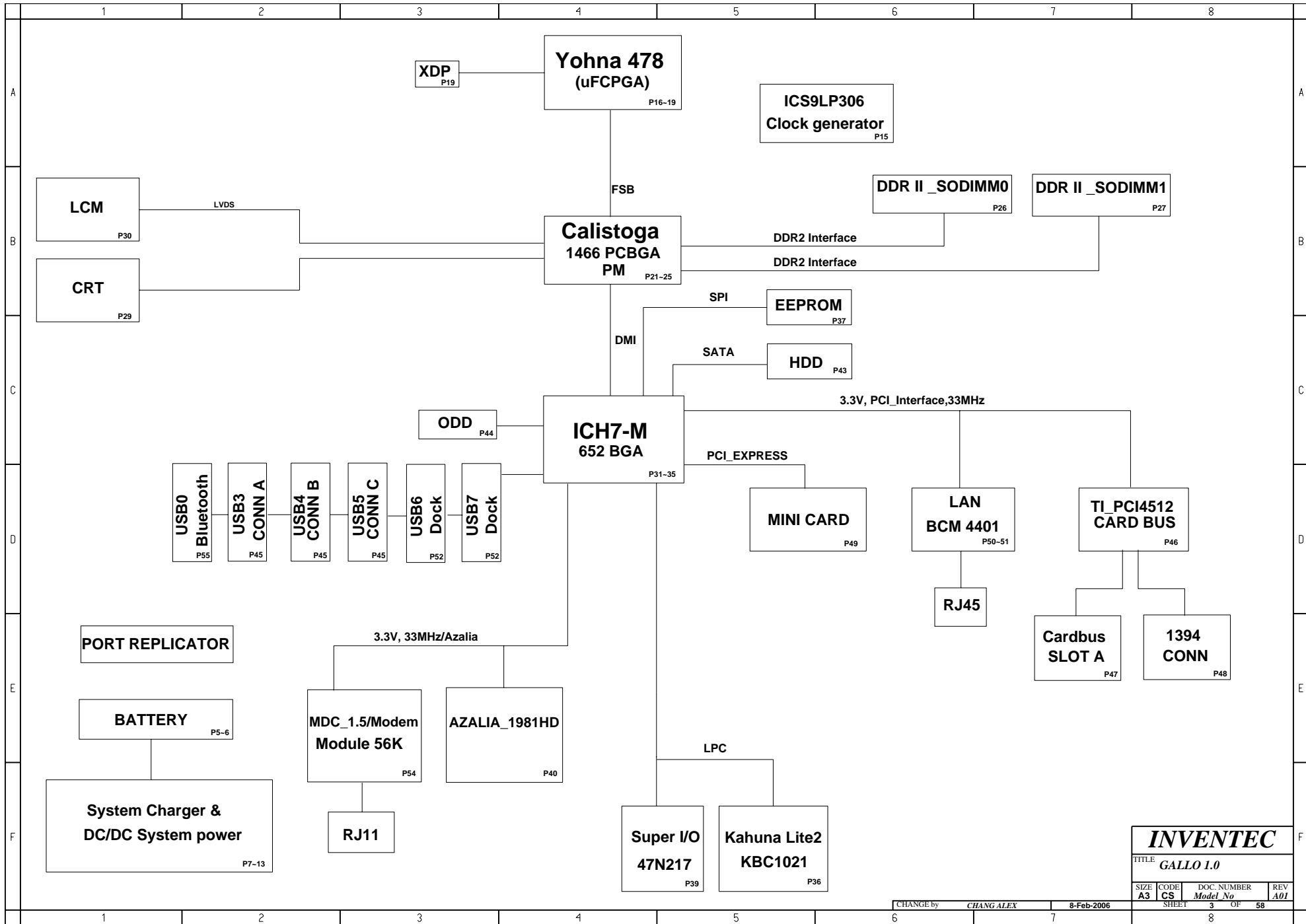
41- EQ&MIC JACK
 42- AUDIO AMP&HP JACK
 43- HDD CONN
 44- ODD CONN
 45- USB CONN
 46- CARDBUS CONTROLL
 47- PC CARD SLOT
 48- 1394 CONN
 49- MINICARD CONN
 50- LAN INTERFACE-1
 51- LAN RJ45 CONN
 52- DOCKING CONN
 53- SCREW
 54- MDC1.5 CONN
 55- BLUETOOTH
 56- BUTTON & SWITCH & LED
 57- LED/SWITCH CONN
 58- LED/SWITCH BOTTON BOARD

INVENTEC

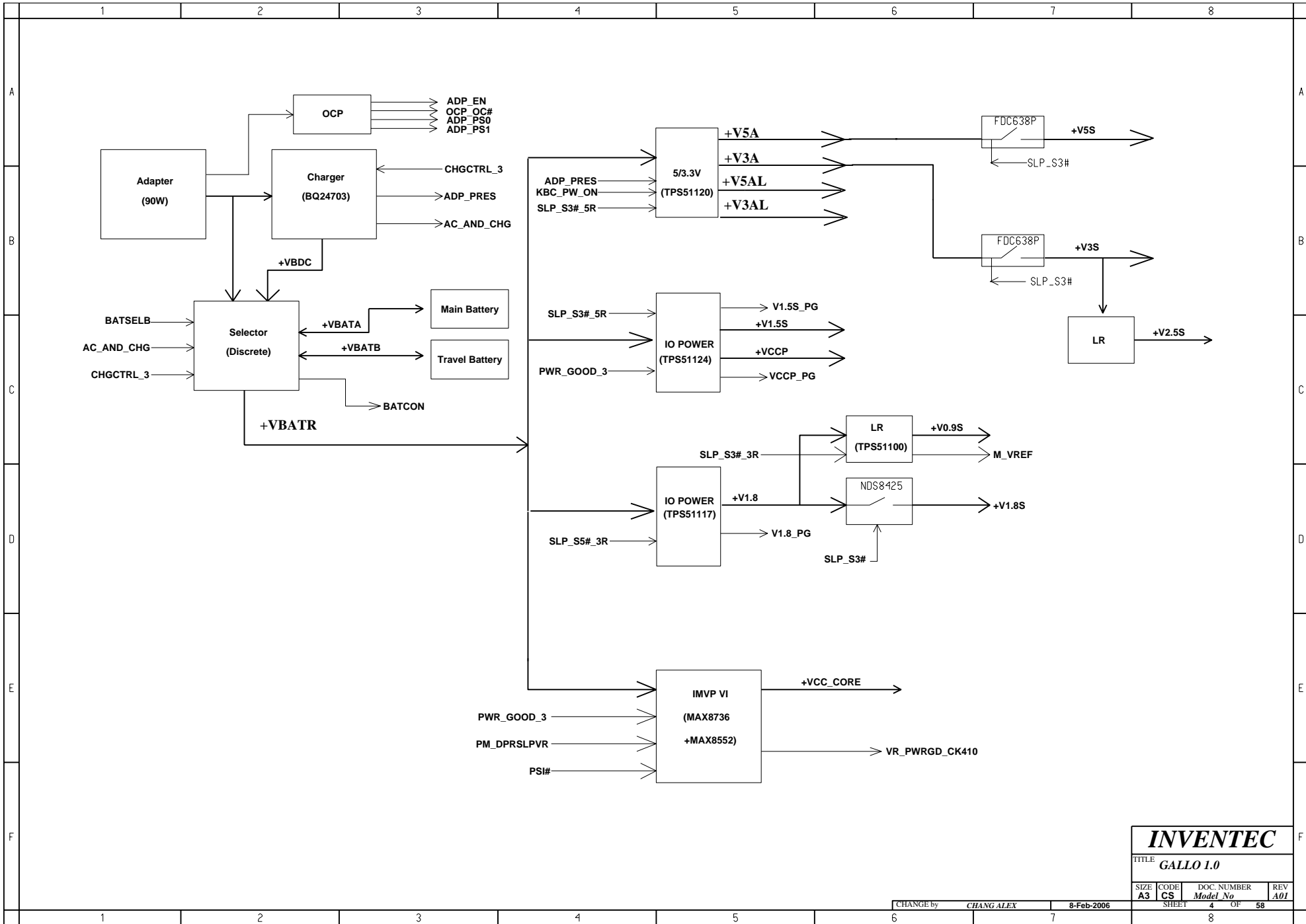
TITLE *GALLO 1.0*

SIZE A3	CODE CS	DOC. NUMBER <i>Model No</i>	REV A01
SHEET		2	OF 58

CHANGE by *CHANG ALEX* 8-Feb-2006



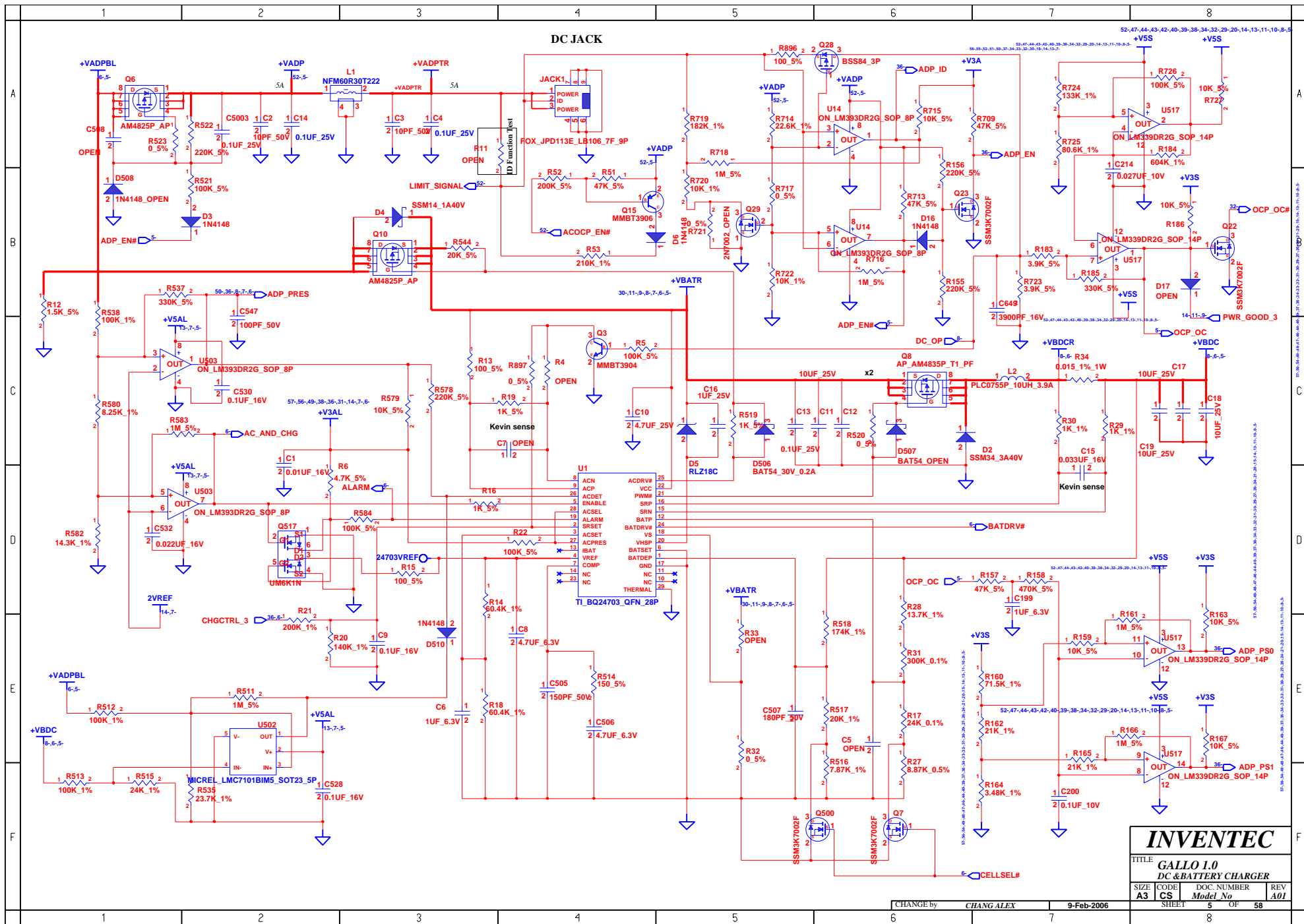
INVENTEC			
TITLE GALLO 1.0			
SIZE A3	CODE CS	DOC. NUMBER <i>Model No.</i>	REV A01
CHANGE by <i>CHANG ALEX</i>		8-Feb-2006	SHEET 3 OF 58



INVENTEC

TITLE GALLO 1.0

SIZE	CODE	DOC. NUMBER	REV
A3	CS	Model No	A01



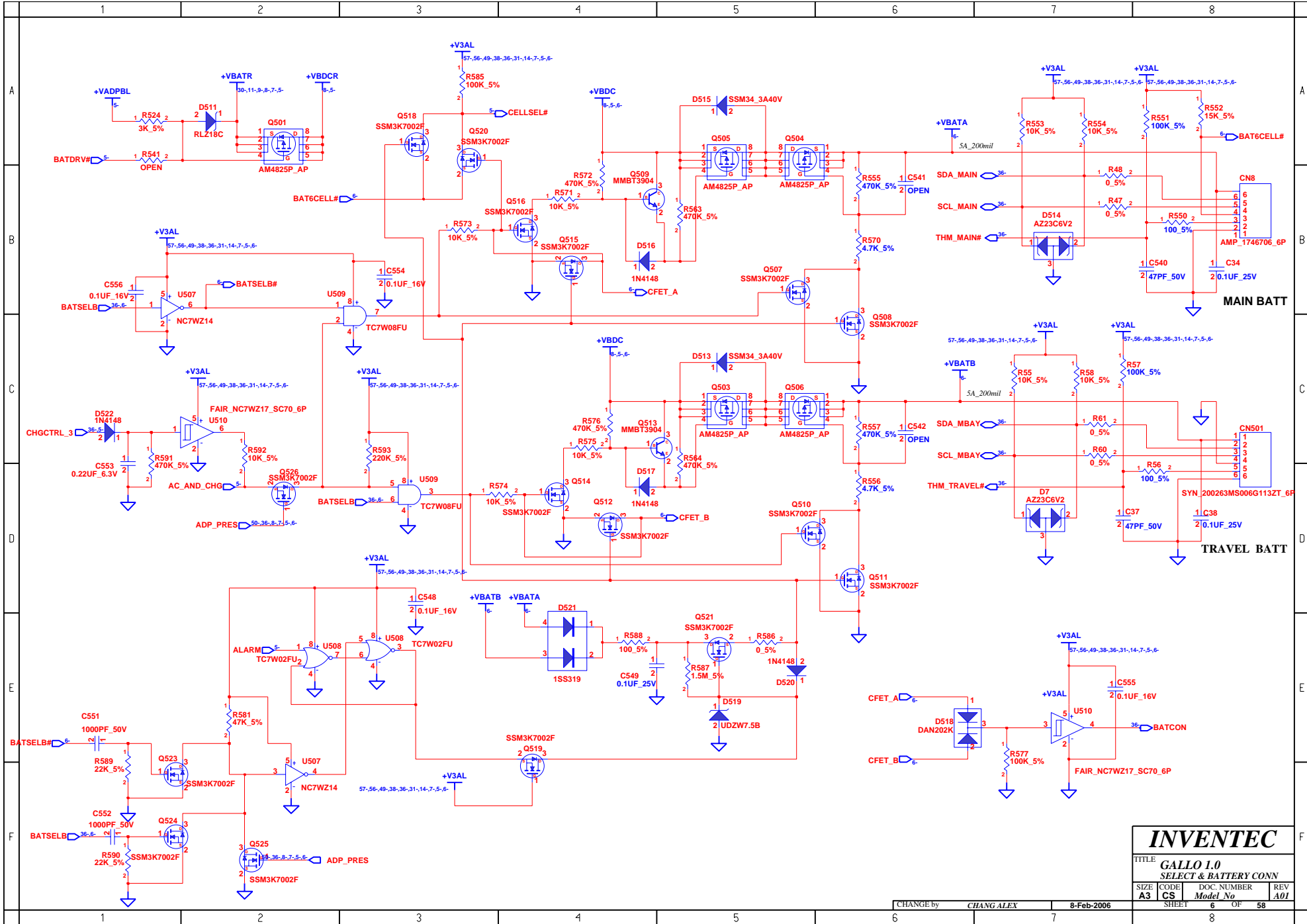
INVENTEC

TITLE: GALLO I.0
DC & BATTERY CHARGER

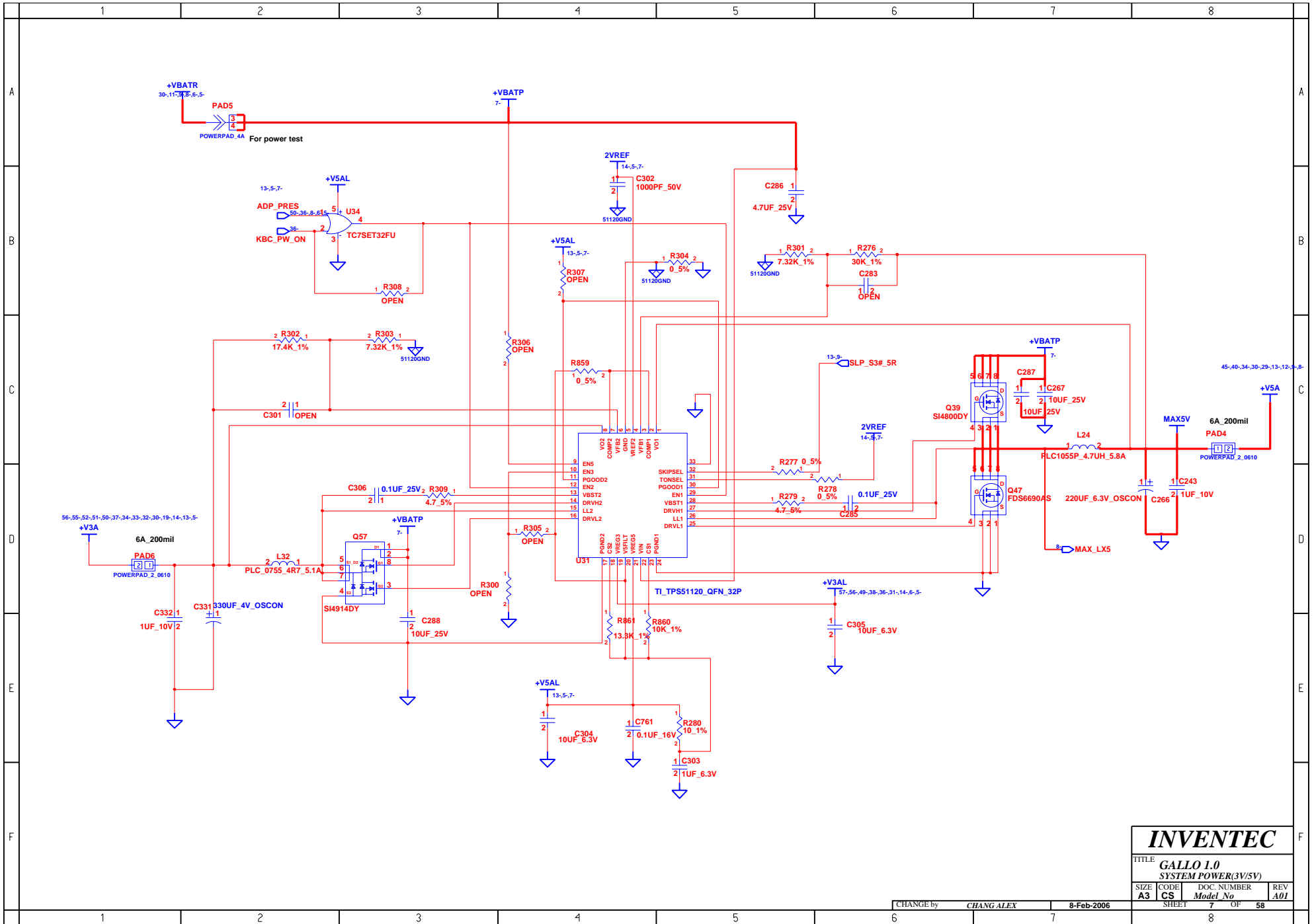
SIZE	CODE	DOC. NUMBER	REV
A3	CS	Model No	A01

CHANGE by: CHANG ALEY 9-Feb-2006

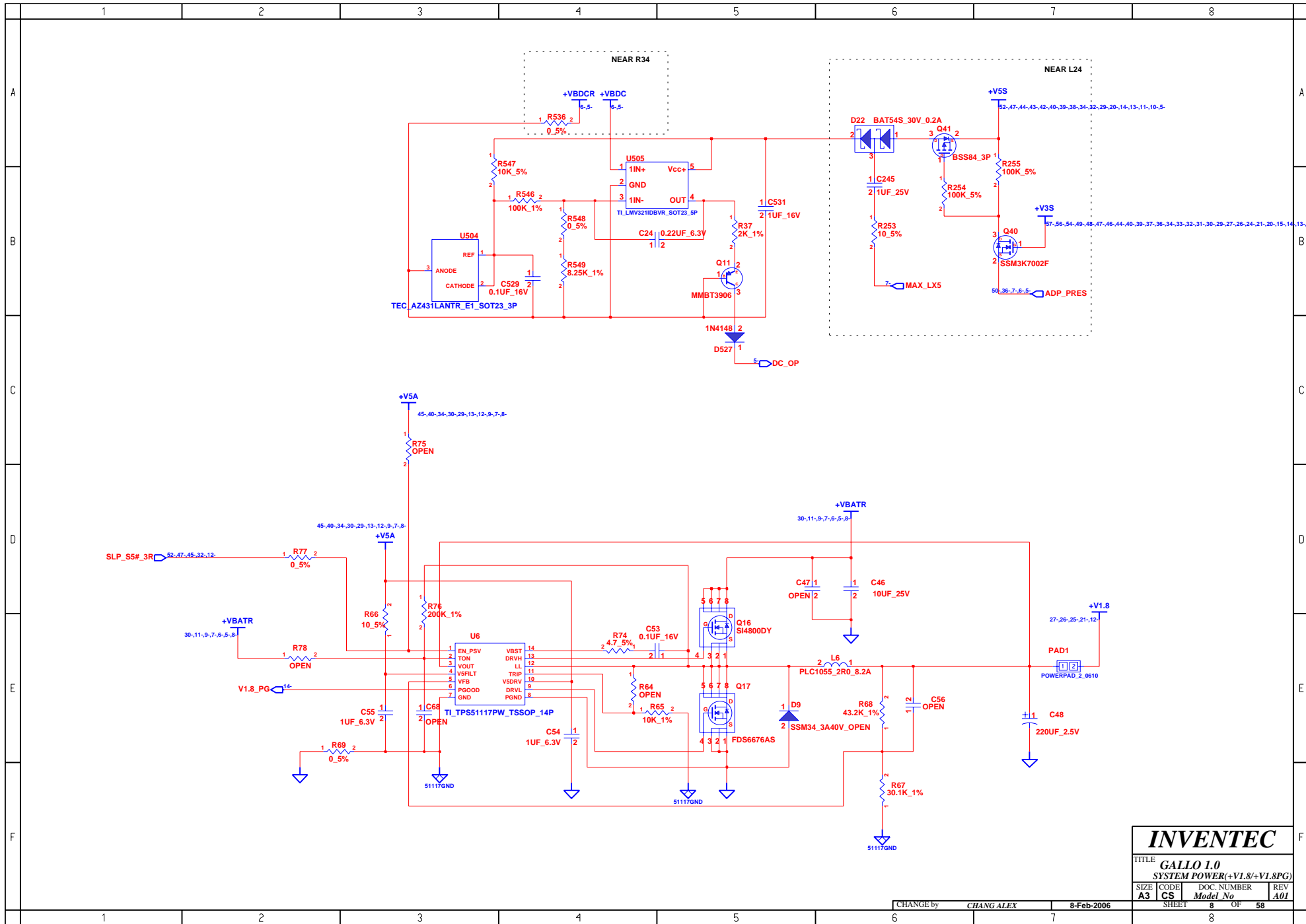
SHEET 8 OF 58



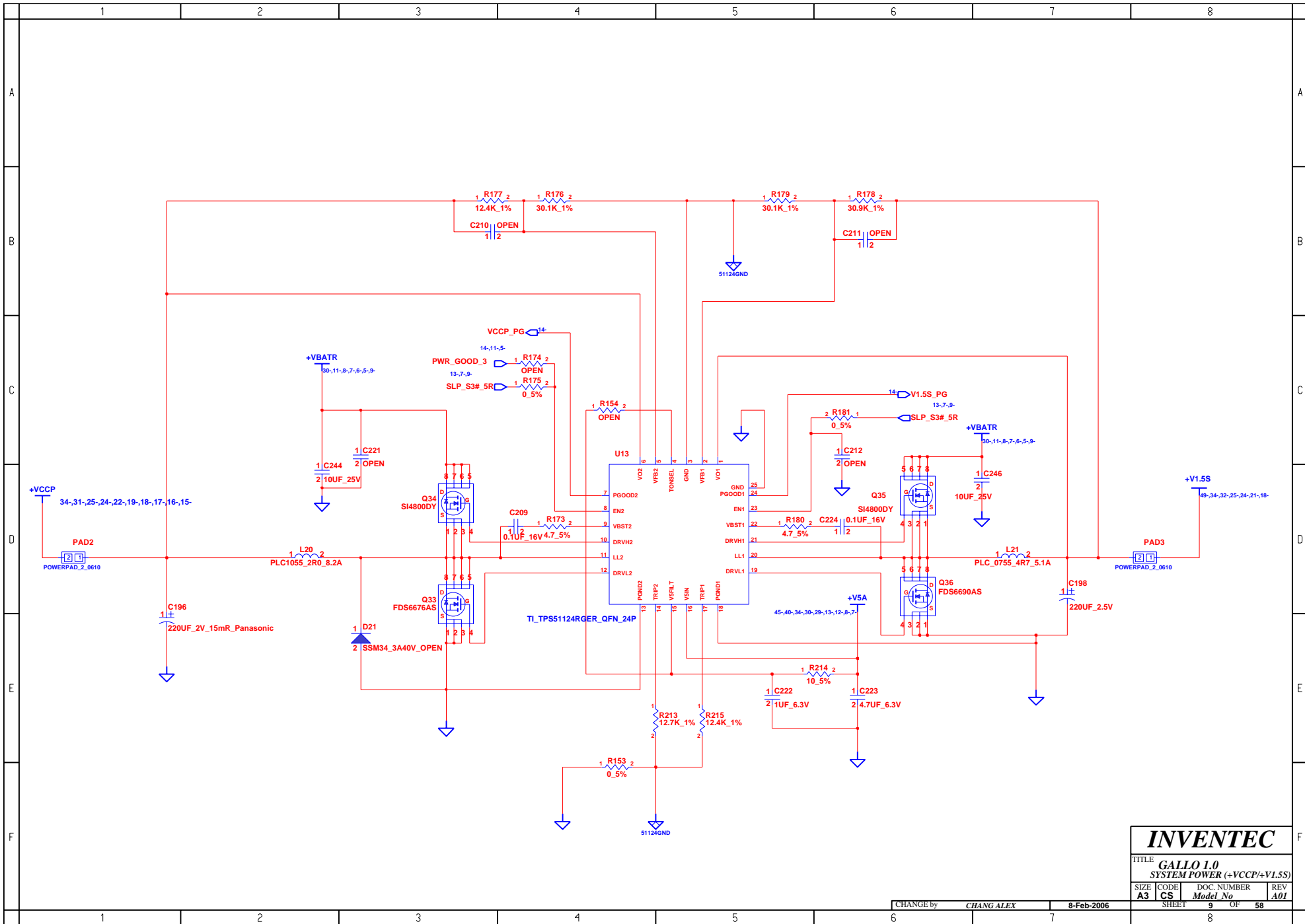
INVENTEC			
TITLE GALLO I.0 SELECT & BATTERY CONN			
SIZE A3	CODE CS	DOC. NUMBER <i>Model No</i>	REV A01
CHANGE by <i>CHANG ALEX</i>		8-Feb-2006	
SHEET 6		OF 58	



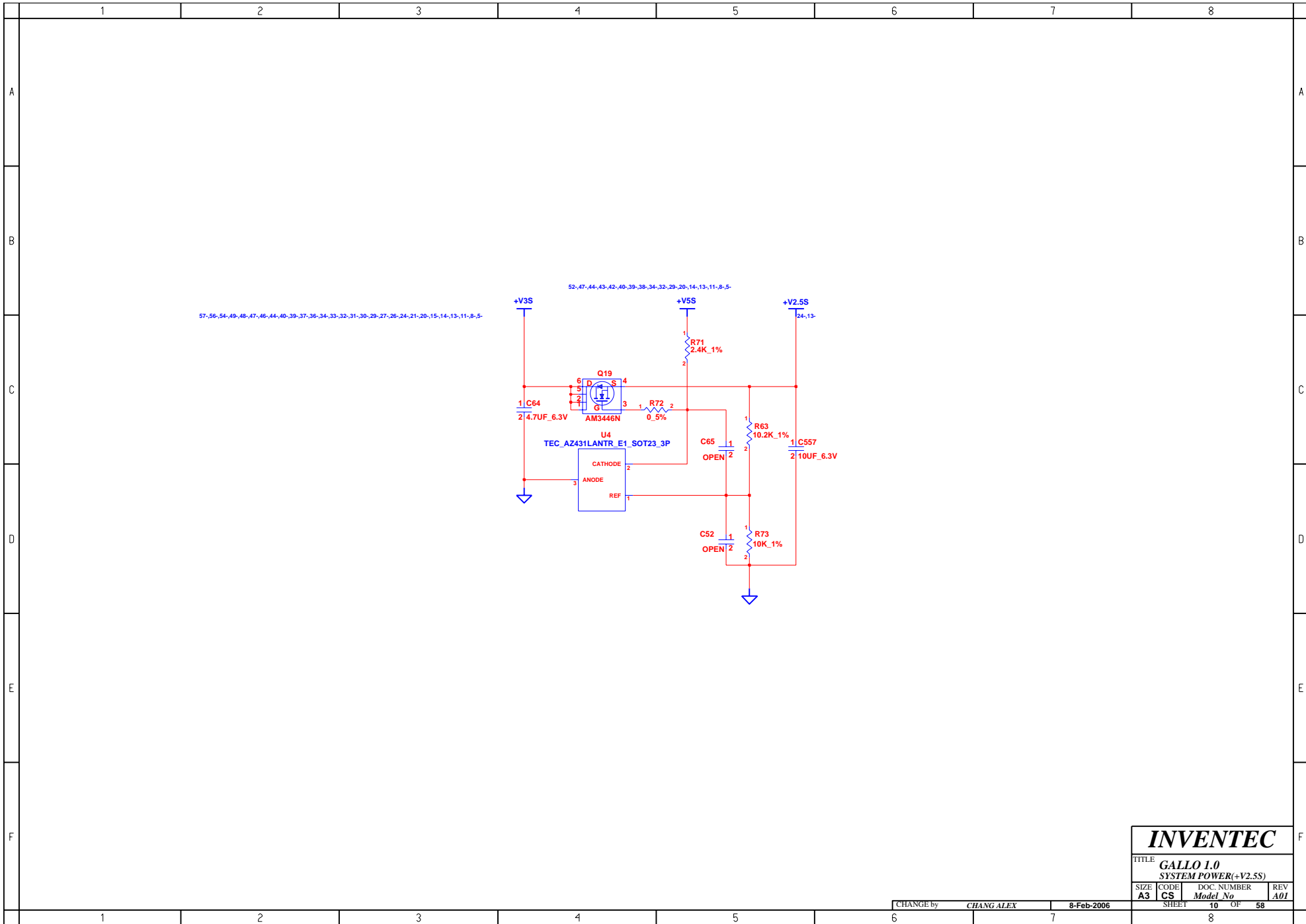
INVENTEC			
TITLE GALLO I.0 SYSTEM POWER(3V/5V)			
SIZE A3	CODE CS	DOC. NUMBER Model No	REV A01
CHANGE by CHANG ALEX		8-Feb-2006	
SHEET 7		OF 58	



INVENTEC			
TITLE GALLO I.0			
SYSTEM POWER(+V1.8/+V1.8PG)			
SIZE A3	CODE CS	DOC. NUMBER Model No	REV A01
CHANGE by CHANG ALEX		8-Feb-2006	
SHEET 8		OF 58	



INVENTEC			
TITLE GALLO 1.0			
SYSTEM POWER (+VCCP/+V1.5S)			
SIZE	CODE	DOC. NUMBER	REV
A3	CS	Model No	A01
CHANGE by		CHANG ALEX	8-Feb-2006
SHEET		9	OF 58



INVENTEC

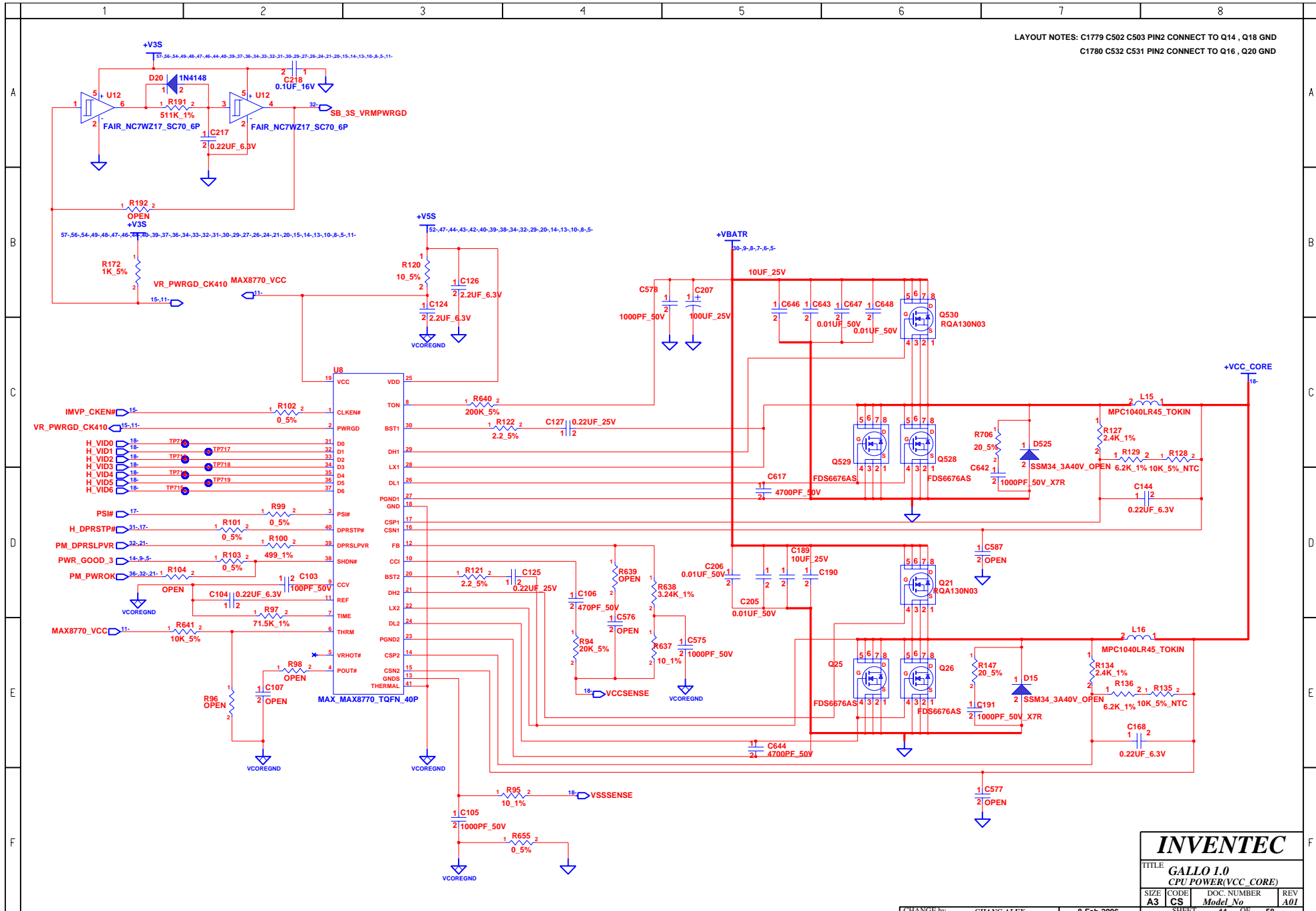
TITLE **GALLO 1.0**
SYSTEM POWER(+V2.5S)

SIZE A3	CODE CS	DOC. NUMBER <i>Model No.</i>	REV A01
-------------------	-------------------	---------------------------------	-------------------

CHANGE by *CHANG ALEX* 8-Feb-2006

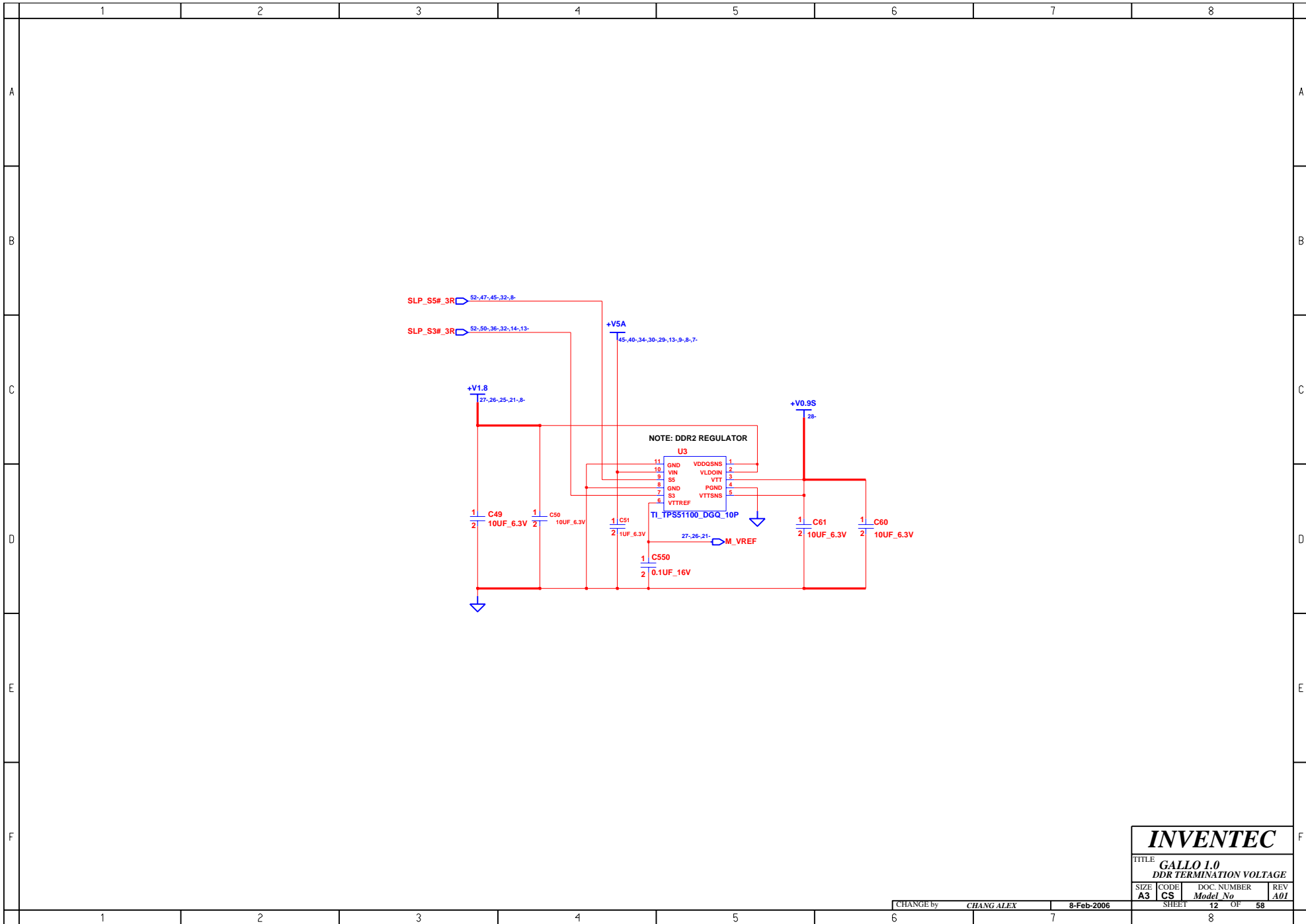
SHEET **10** OF **58**

LAYOUT NOTES: C1779 C502 C503 PIN2 CONNECT TO Q14 , Q18 GND
C1780 C532 C531 PIN2 CONNECT TO Q16 , Q20 GND

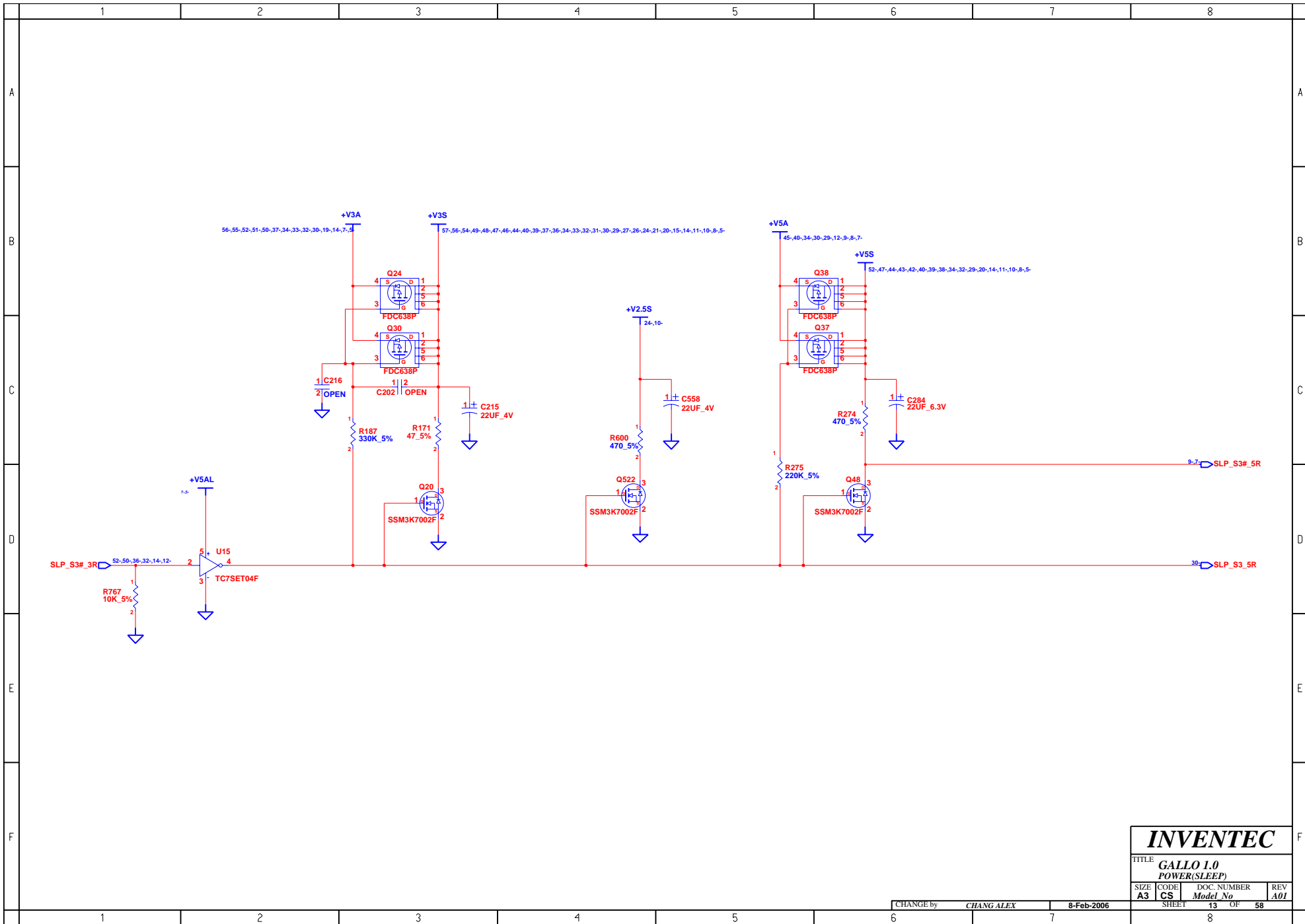


INVENTEC			
TITLE GALLO I.0 CPU POWER(VCC_CORE)			
SIZE A3	CODE CS	DOC. NUMBER Model No	REV A01
CHANGE by CHANG ALEX		8-Feb-2006	
SHEET 11		OF 58	

CHANGE by CHANG ALEX 8-Feb-2006 SHEET 11 OF 58



INVENTEC			
TITLE GALLO 1.0 DDR TERMINATION VOLTAGE			
SIZE A3	CODE CS	DOC. NUMBER Model No	REV A01
CHANGE by CHANG ALEX		8-Feb-2006	SHEET 12 OF 58

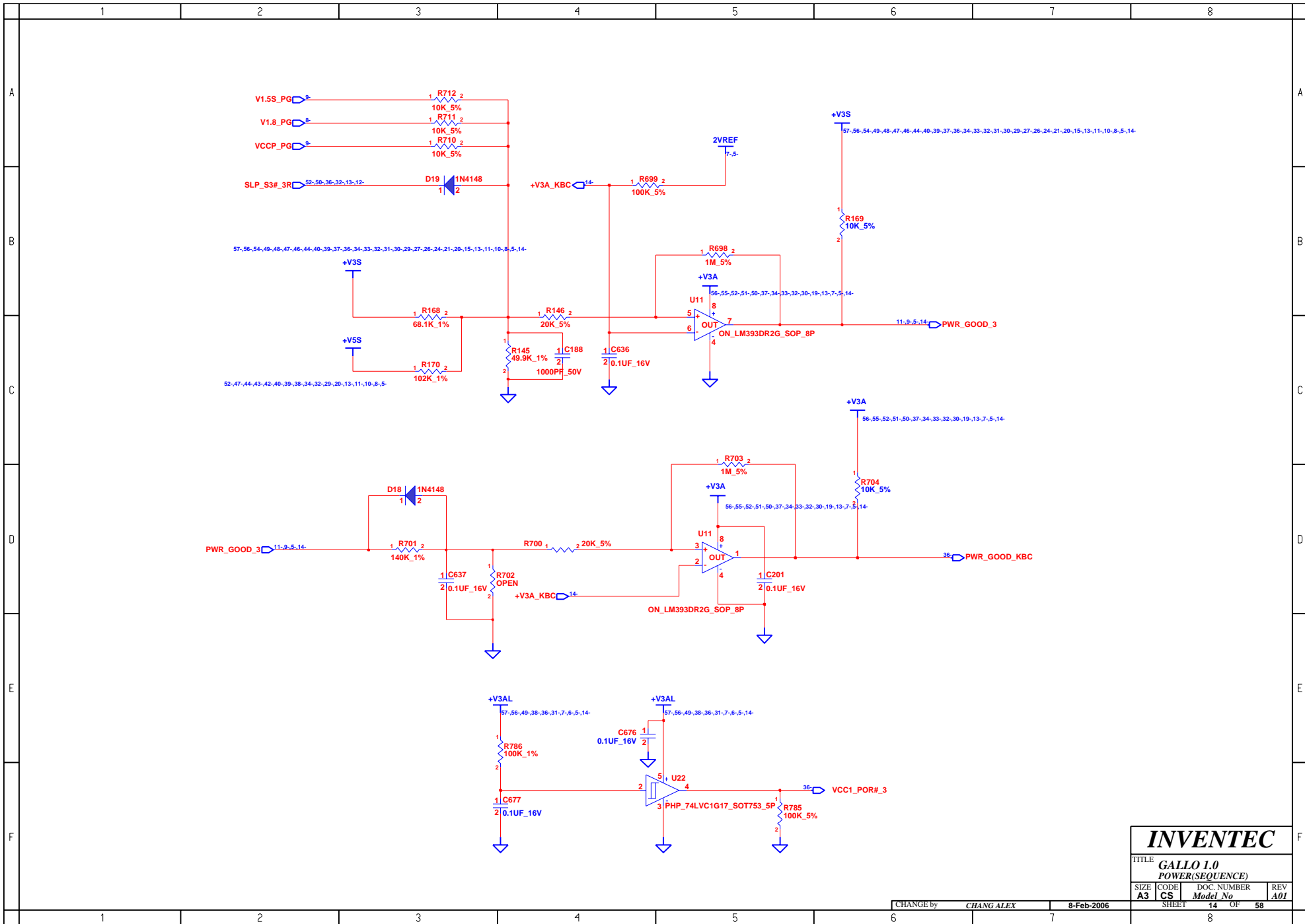


INVENTEC

TITLE			
GALLO 1.0			
POWER(SLEEP)			
SIZE	CODE	DOC. NUMBER	REV
A3	CS	Model No	A01

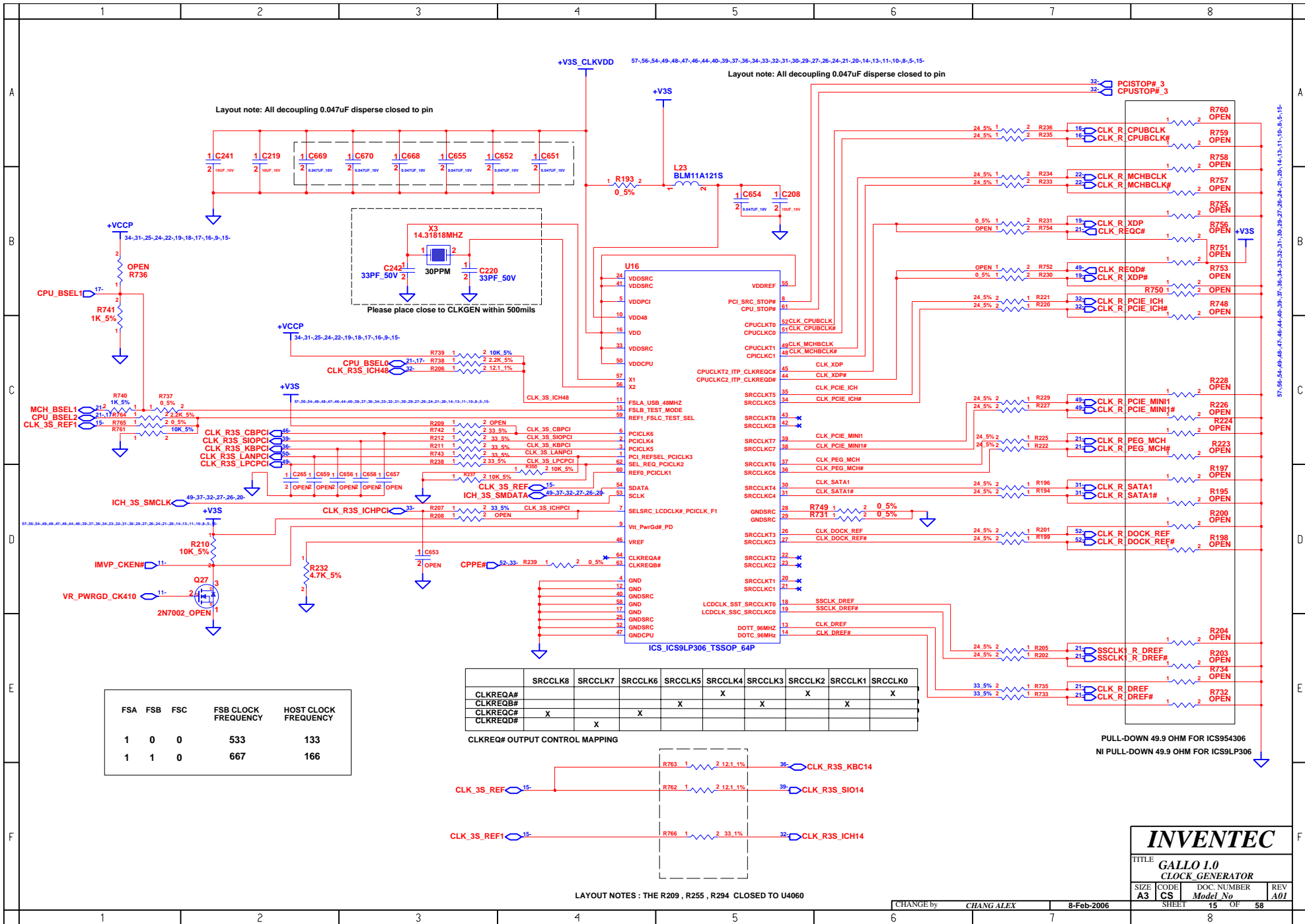
CHANGE by *CHANG ALEX* 8-Feb-2006

SHEET 13 OF 58



INVENTEC

TITLE			
GALLO 1.0			
POWER(SEQUENCE)			
SIZE	CODE	DOC. NUMBER	REV
A3	CS	Model No	A01
CHANGE by		8-Feb-2006	SHEET 14 OF 58
CHANG ALEX			



Layout note: All decoupling 0.047uF disperse closed to pin

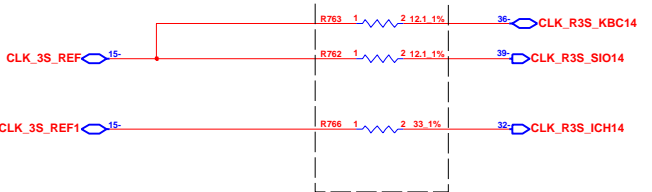
Layout note: All decoupling 0.047uF disperse closed to pin

Please place close to CLKGEN within 500mils

FSA	FSB	FSC	FSB CLOCK FREQUENCY	HOST CLOCK FREQUENCY
1	0	0	533	133
1	1	0	667	166

	SRCCLK8	SRCCLK7	SRCCLK6	SRCCLK5	SRCCLK4	SRCCLK3	SRCCLK2	SRCCLK1	SRCCLK0
CLKREQA#				X	X	X	X	X	X
CLKREQB#				X	X	X	X	X	X
CLKREQC#	X								
CLKREQD#		X							

CLKREQ# OUTPUT CONTROL MAPPING



LAYOUT NOTES : THE R209 , R255 , R294 CLOSED TO U4060

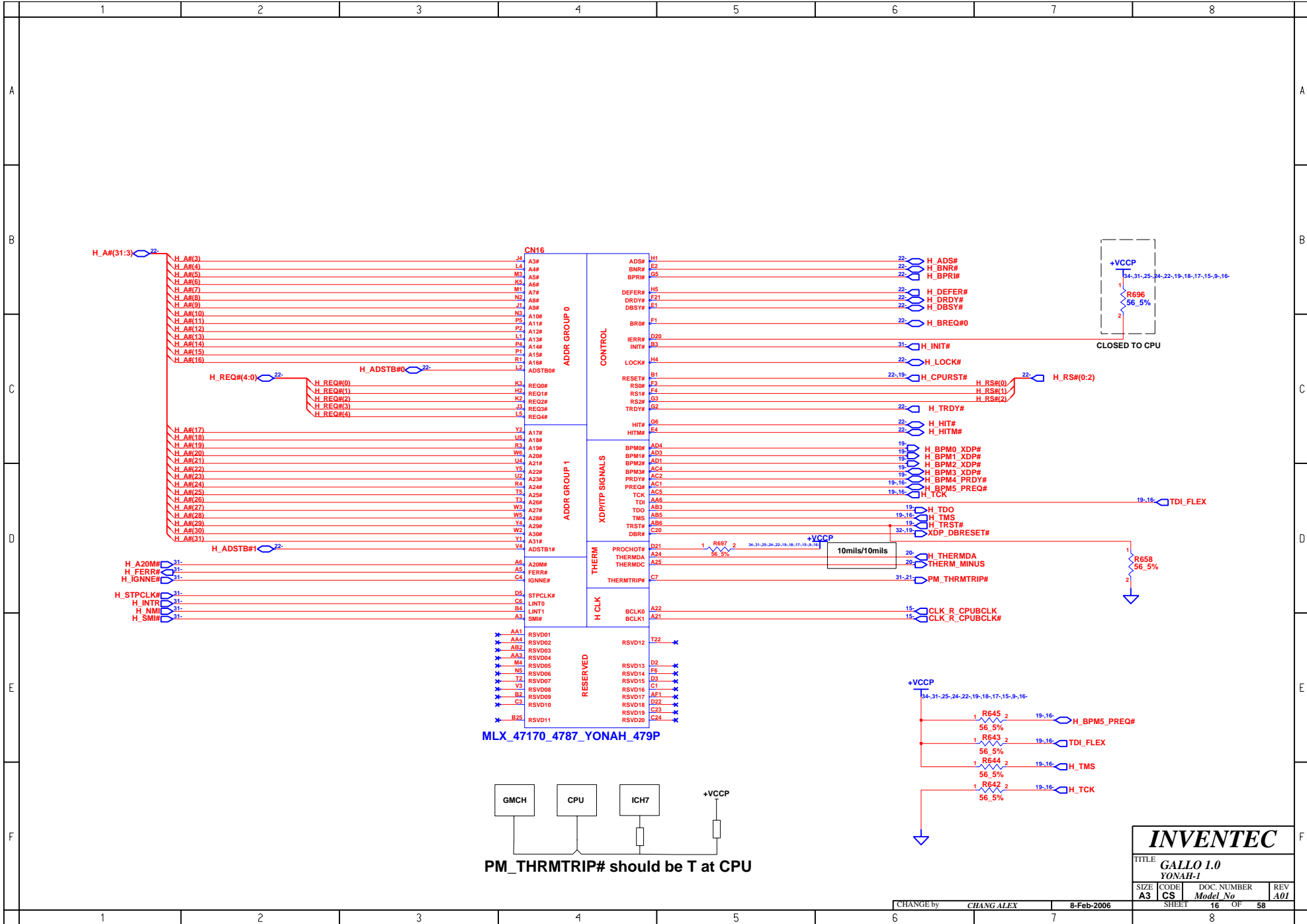
PULL-DOWN 49.9 OHM FOR ICS954306
NI PULL-DOWN 49.9 OHM FOR ICS9LP306

INVENTEC

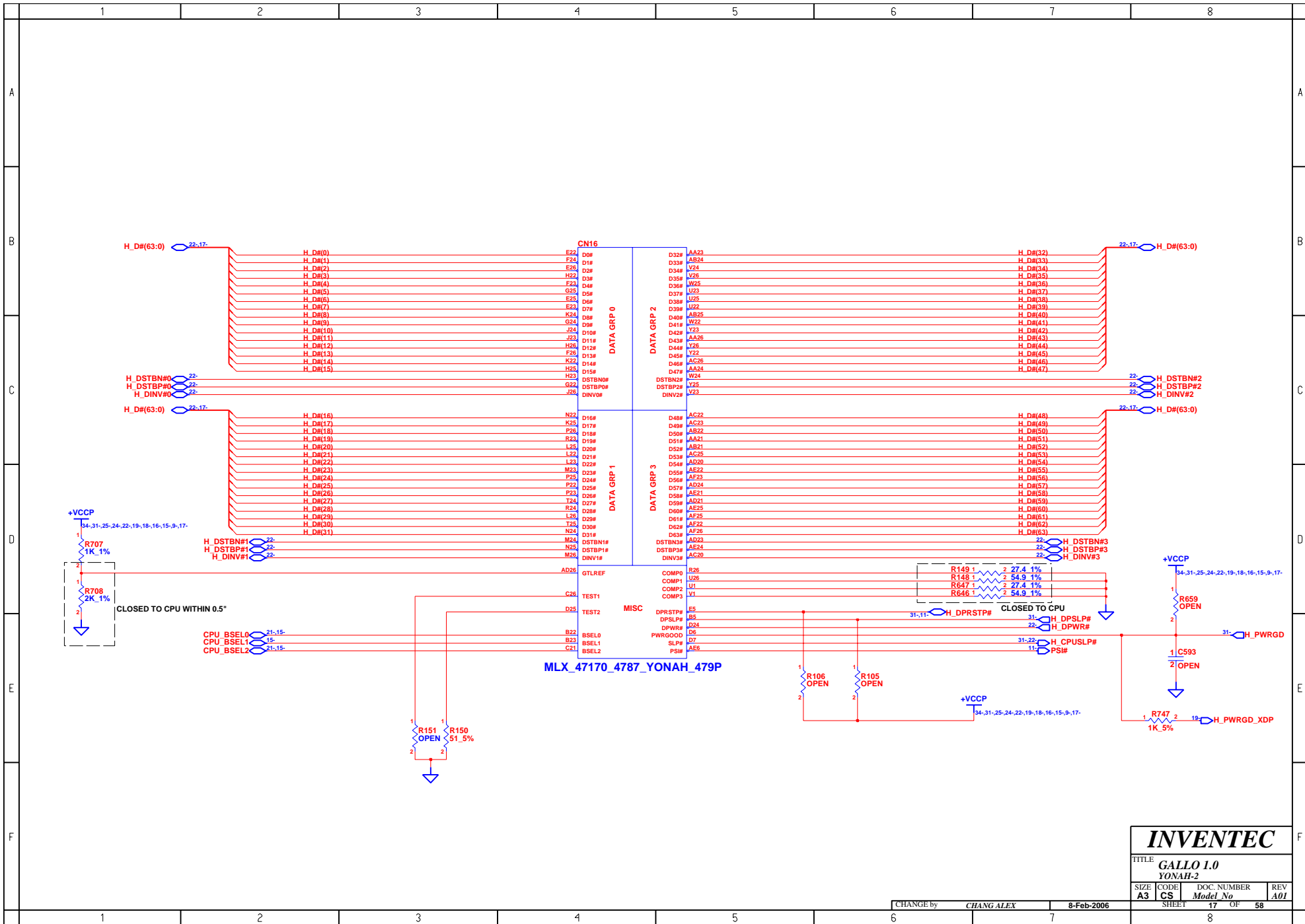
TITLE: GALLO I.0
CLOCK GENERATOR

SIZE	CODE	DOC NUMBER	REV
A3	CS	Model No	A01

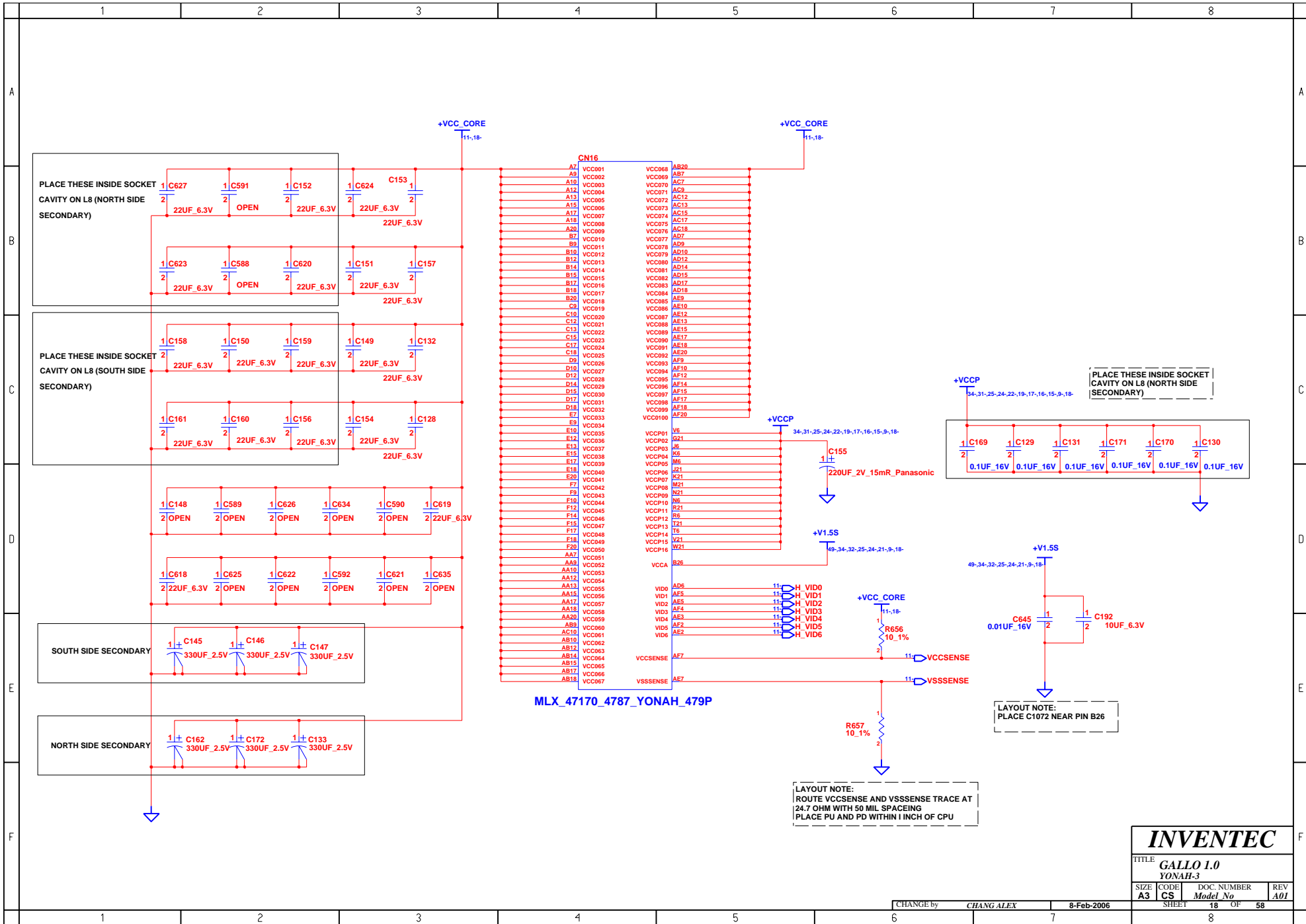
SHEET 15 OF 58



INVENTEC			
TITLE GALLO I.0 YONAH-1			
SIZE A3	CODE CS	DOC. NUMBER <i>Model No</i>	REV A01
CHANGE by <i>CHANG ALEX</i>		8-Feb-2006	SHEET 16 OF 58



INVENTEC			
TITLE GALLO I.0 YONAH-2			
SIZE A3	CODE CS	DOC. NUMBER <i>Model No</i>	REV A01
CHANGE by <i>CHANG ALEX</i>		8-Feb-2006	
SHEET 17		OF 58	



INVENTEC			
TITLE GALLO 1.0			
YONAH-3			
SIZE A3	CODE CS	DOC. NUMBER <i>Model No</i>	REV A01
CHANGE by <i>CHANG ALEX</i>		8-Feb-2006	SHEET 18 OF 58

LAYOUT NOTE:
ROUTE VCCSENSE AND VSSSENSE TRACE AT
24.7 OHM WITH 50 MIL SPACING
PLACE PU AND PD WITHIN 1 INCH OF CPU

LAYOUT NOTE:
PLACE C1072 NEAR PIN B26

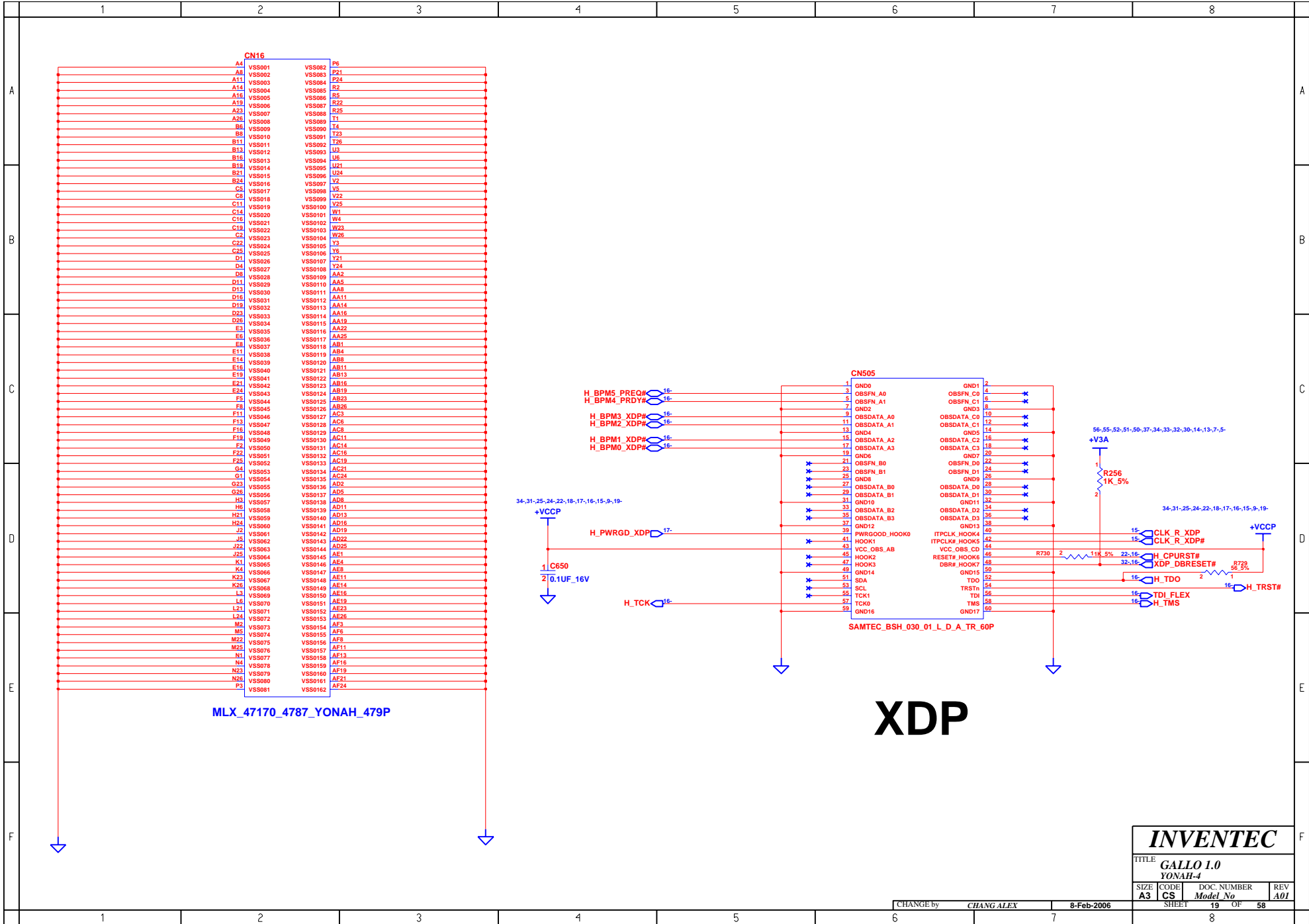
PLACE THESE INSIDE SOCKET
CAVITY ON L8 (NORTH SIDE
SECONDARY)

PLACE THESE INSIDE SOCKET
CAVITY ON L8 (NORTH SIDE
SECONDARY)

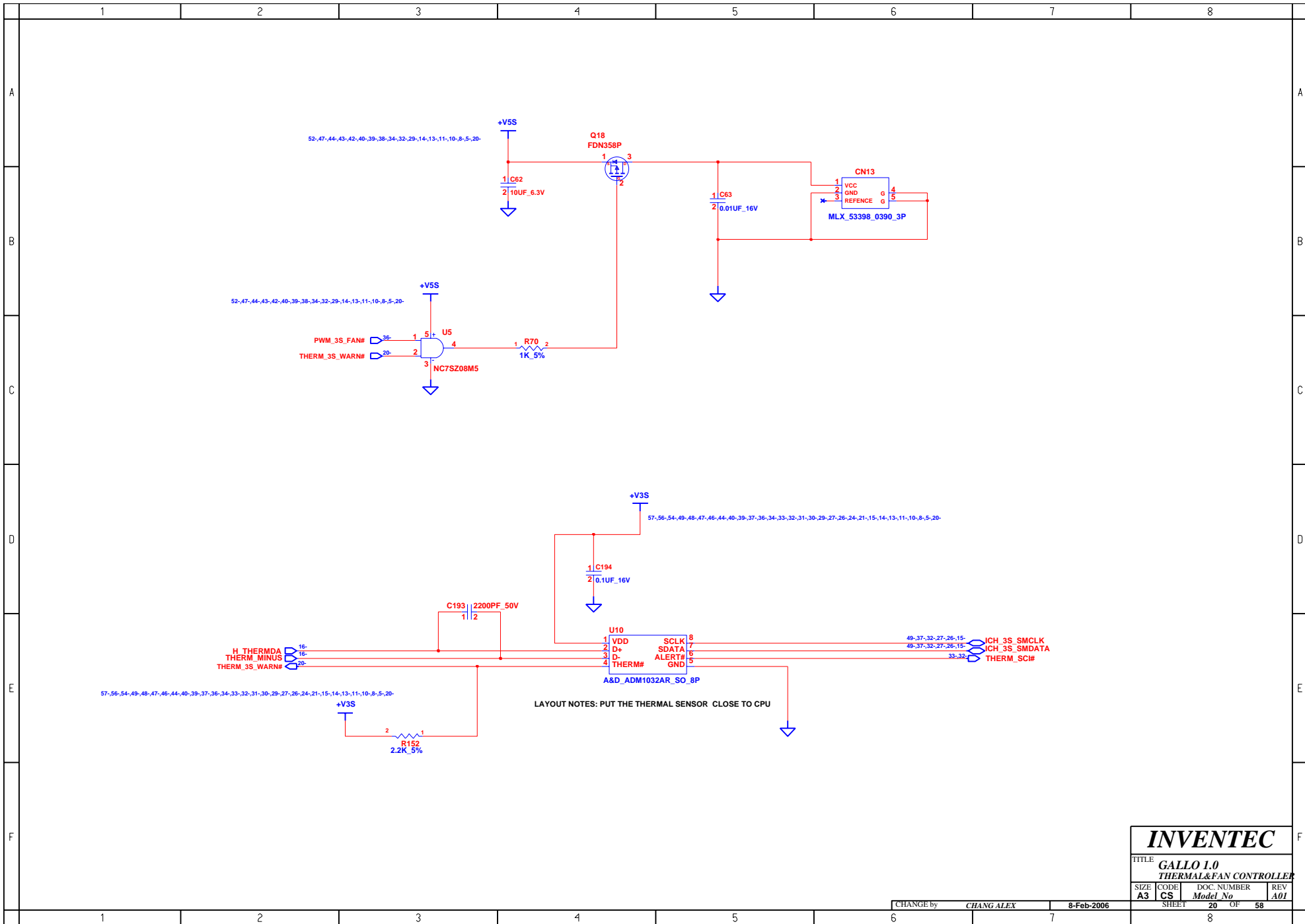
PLACE THESE INSIDE SOCKET
CAVITY ON L8 (SOUTH SIDE
SECONDARY)

SOUTH SIDE SECONDARY

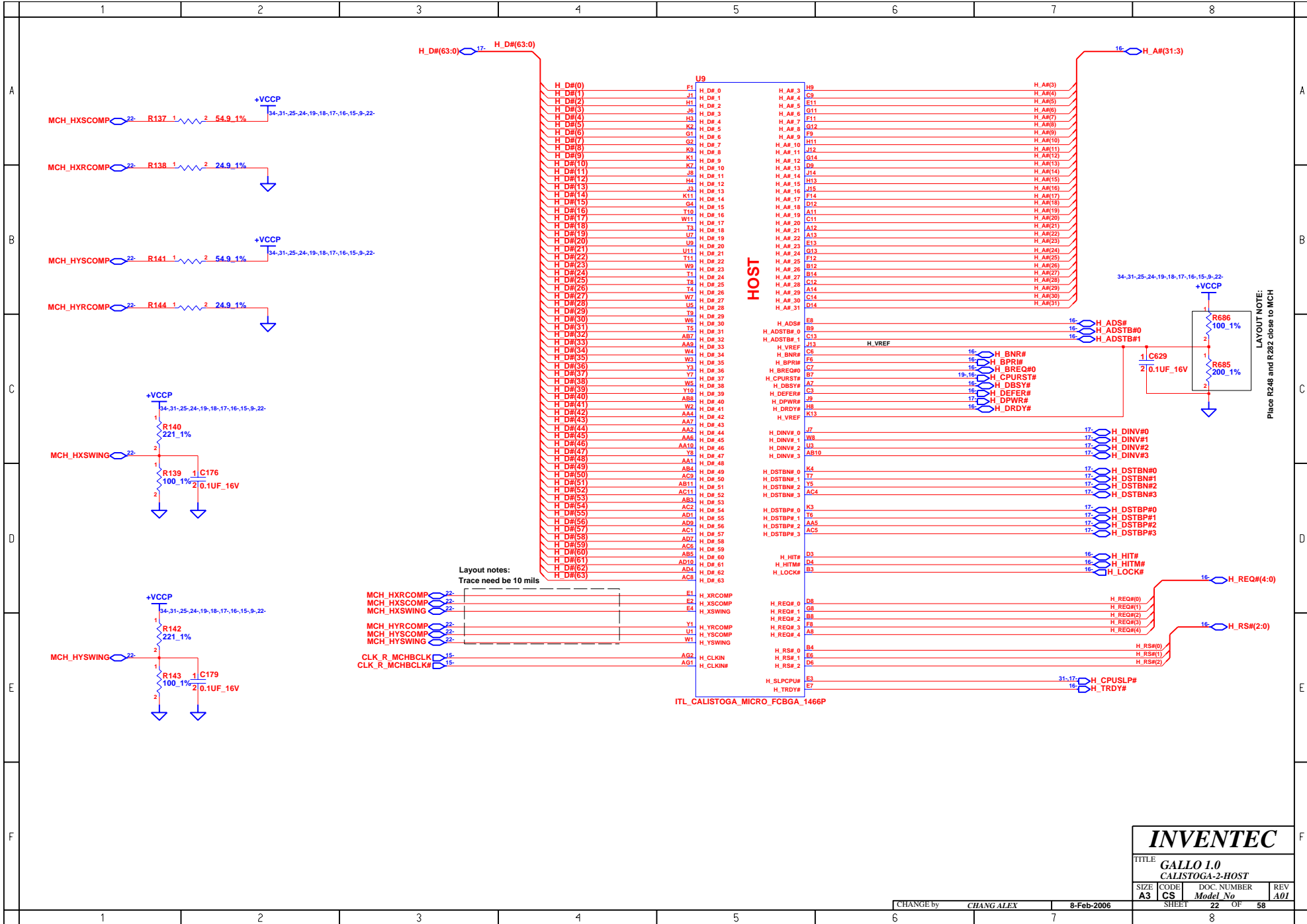
NORTH SIDE SECONDARY



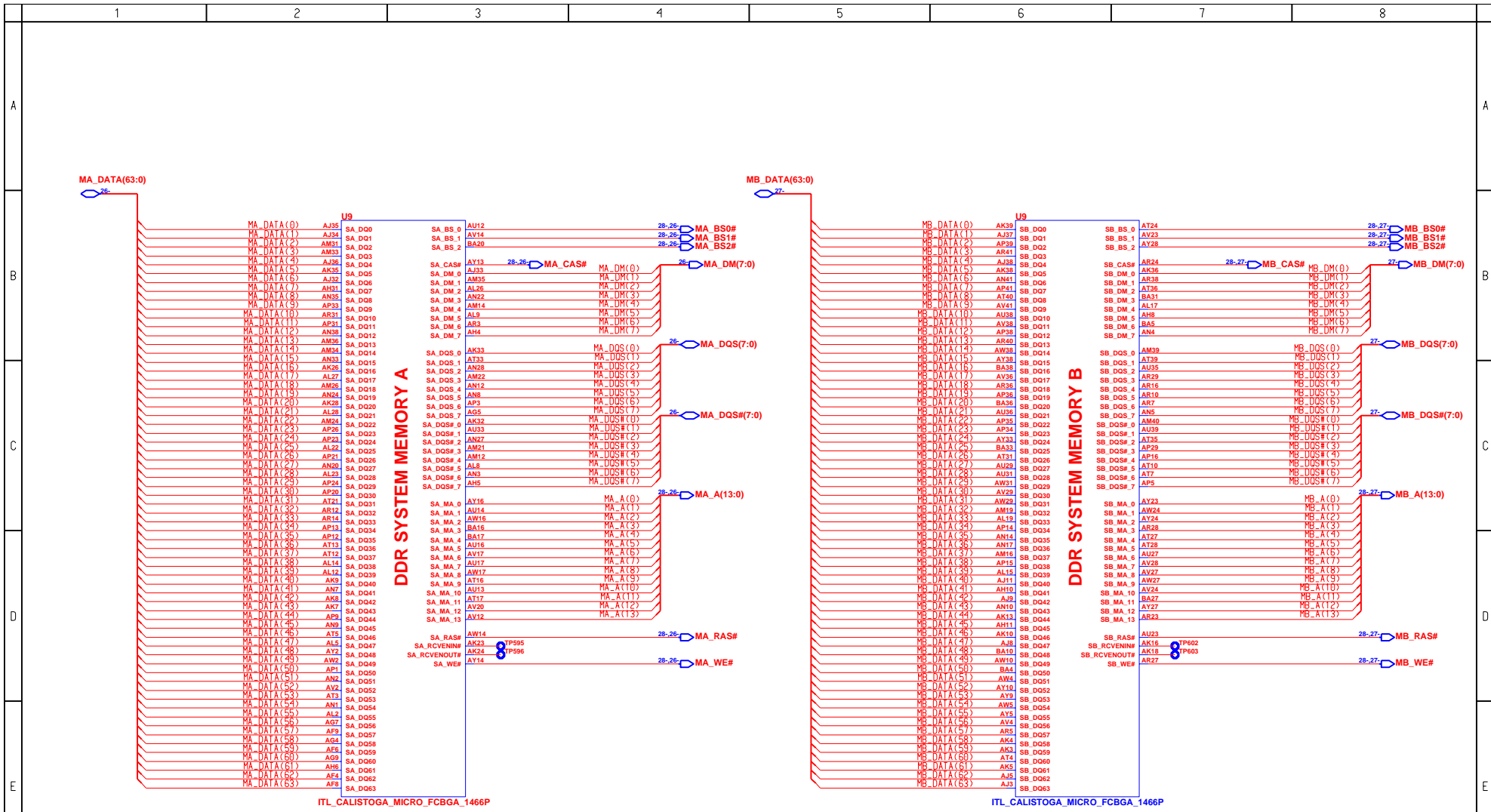
INVENTEC			
TITLE GALLO I.0			
YONAH-4			
SIZE A3	CODE CS	DOC. NUMBER <i>Model No</i>	REV A01
CHANGE by <i>CHANG ALEX</i>		8-Feb-2006	
SHEET 19		OF 58	



INVENTEC			
TITLE GALLO 1.0 THERMAL&FAN CONTROLLER			
SIZE A3	CODE CS	DOC. NUMBER Model No	REV A01
CHANGE by CHANG ALEX		8-Feb-2006	SHEET 20 OF 58



INVENTEC			
TITLE GALLO I.0 CALISTOGA-2-HOST			
SIZE A3	CODE CS	DOC. NUMBER Model No	REV A01
CHANGE by CHANG ALEX		8-Feb-2006	SHEET 22 OF 58



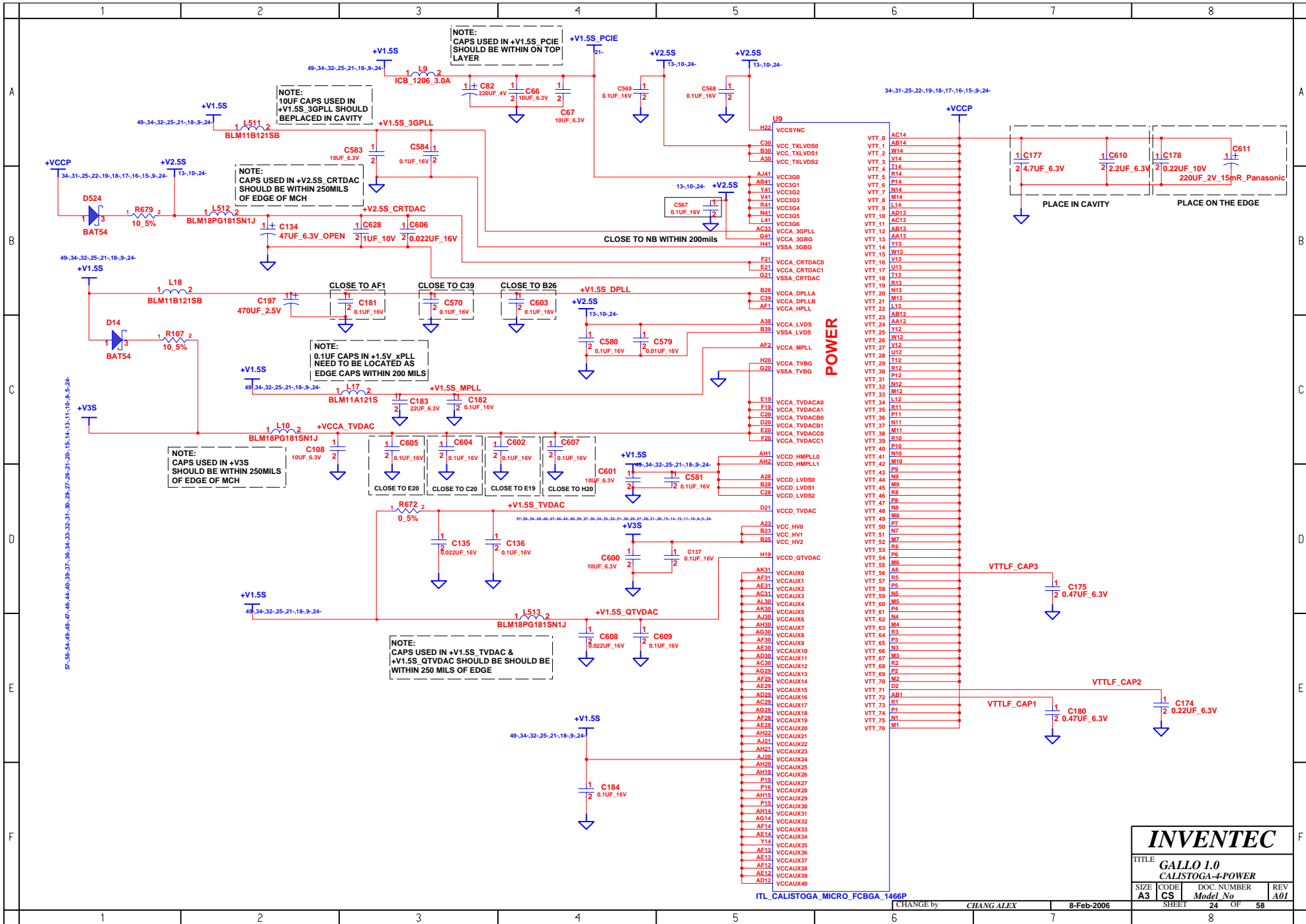
INVENTEC

TITLE
GALLO I.0
CALISTOGA-3-DDR2

SIZE	CODE	DOC. NUMBER	REV
A3	CS	Model No	A01

CHANGE by **CHANG ALEY** 8-Feb-2006

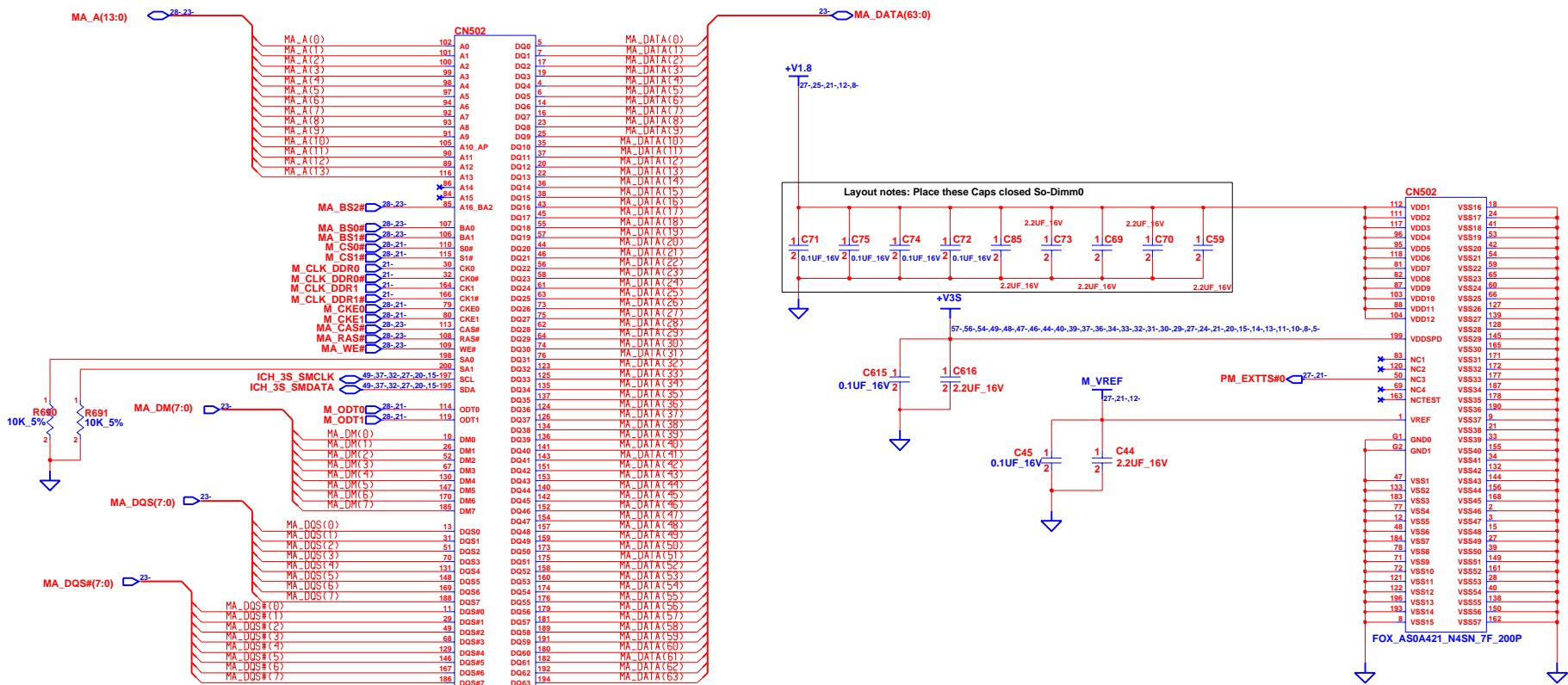
SHEET 23 OF 58



INVENTEC			
TITLE GALLO I.0 CALISTOGA-4-POWER			
SIZE A3	CODE CS	DOC. NUMBER Model No	REV A01
SHEET 24		OF 58	

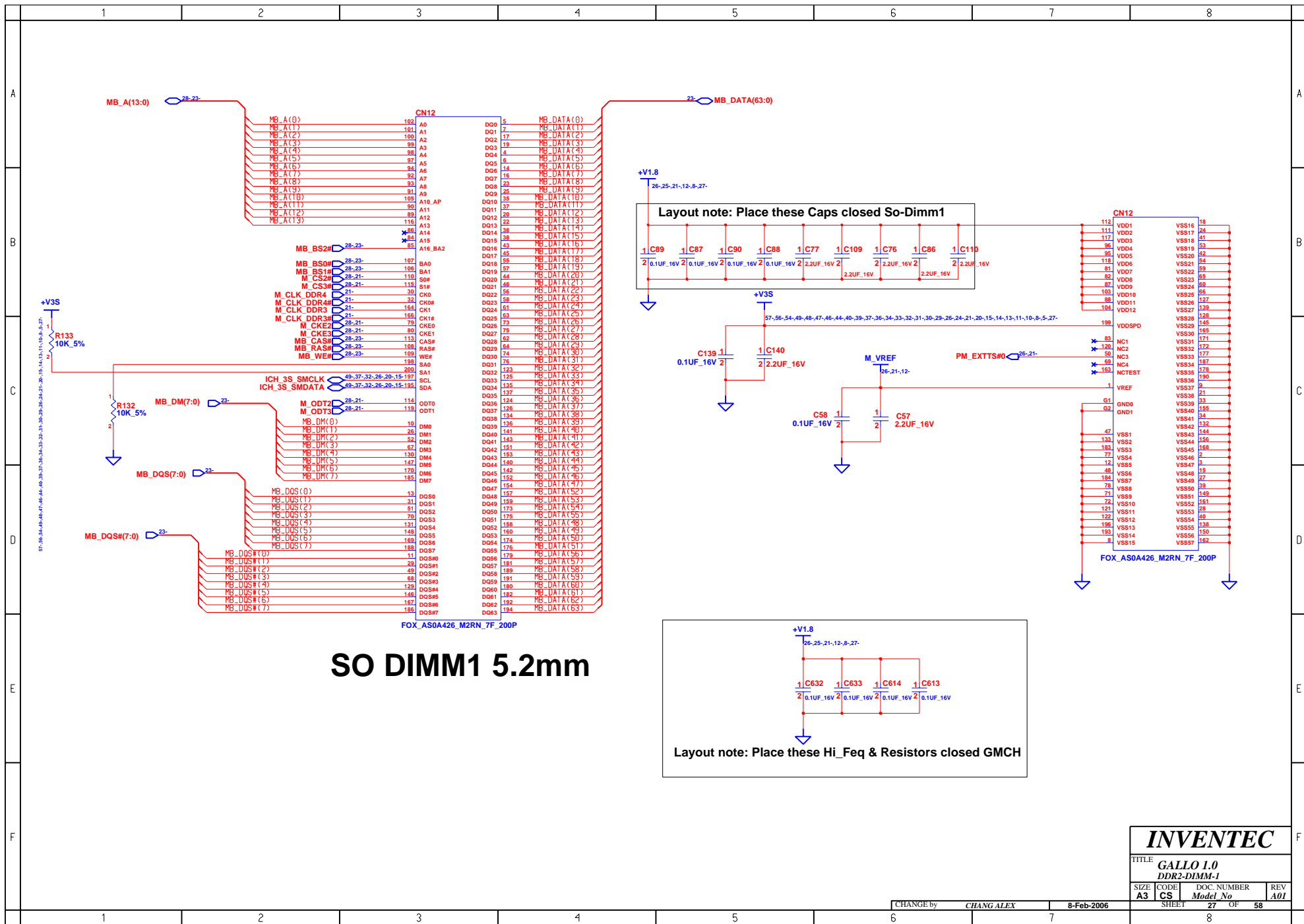
ITL CALISTOGA_MICRO_FCBGA_1466P

CHANGE by **CHANG ALEX** 8-Feb-2006



SO DIMM0_5.2mm

INVENTEC				
TITLE GALLO I.0 DDR2-DIMM-0				
SIZE	CODE	DOC. NUMBER	REV	
A3	CS	Model No	A01	
CHANGE by			SHEET	
CHANG ALEX			26 OF 58	
8-Feb-2006				



MB_A(13:0)

- MB_A(0) 102
- MB_A(1) 101
- MB_A(2) 100
- MB_A(3) 99
- MB_A(4) 98
- MB_A(5) 97
- MB_A(6) 96
- MB_A(7) 95
- MB_A(8) 94
- MB_A(9) 93
- MB_A(10) 92
- MB_A(11) 91
- MB_A(12) 90
- MB_A(13) 89

MB_BS2#

- MB_BS0# 107
- MB_BS1# 106
- M_CS2# 110
- M_CS3# 115
- M_CLK_DDR4 21
- M_CLK_DDR4# 21
- M_CLK_DDR3 21
- M_CLK_DDR3# 21
- M_CKE2 79
- M_CKE3 80
- MB_CAS# 108
- MB_RAS# 109
- MB_WE# 109

MB_DM(7:0)

- M_ODT2 28-21
- M_ODT3 28-21
- MB_DM(0) 114
- MB_DM(1) 119
- DM0 110
- DM1 109
- DM2 52
- DM3 67
- DM4 130
- DM5 147
- DM6 170
- DM7 185

MB_DQS(7:0)

- MB_DDS(0) 13
- MB_DDS(1) 31
- MB_DDS(2) 51
- MB_DDS(3) 70
- MB_DDS(4) 131
- MB_DDS(5) 148
- MB_DDS(6) 169
- MB_DDS(7) 186
- MB_DDS#(0) 11
- MB_DDS#(1) 29
- MB_DDS#(2) 49
- MB_DDS#(3) 69
- MB_DDS#(4) 129
- MB_DDS#(5) 146
- MB_DDS#(6) 162
- MB_DDS#(7) 186

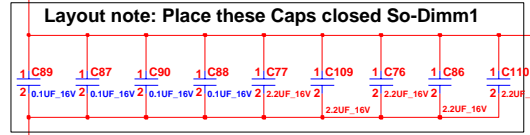
FOX_AS0A426_M2RN_7F_200P

MB_DATA(63:0)

- MB_DATA(0) 5
- MB_DATA(1) 7
- MB_DATA(2) 17
- MB_DATA(3) 19
- MB_DATA(4) 19
- MB_DATA(5) 6
- MB_DATA(6) 14
- MB_DATA(7) 16
- MB_DATA(8) 23
- MB_DATA(9) 28
- MB_DATA(10) 35
- MB_DATA(11) 37
- MB_DATA(12) 20
- MB_DATA(13) 22
- MB_DATA(14) 36
- MB_DATA(15) 38
- MB_DATA(16) 44
- MB_DATA(17) 55
- MB_DATA(18) 57
- MB_DATA(19) 44
- MB_DATA(20) 46
- MB_DATA(21) 46
- MB_DATA(22) 56
- MB_DATA(23) 58
- MB_DATA(24) 61
- MB_DATA(25) 63
- MB_DATA(26) 73
- MB_DATA(27) 62
- MB_DATA(28) 64
- MB_DATA(29) 74
- MB_DATA(30) 76
- MB_DATA(31) 76
- MB_DATA(32) 123
- MB_DATA(33) 125
- MB_DATA(34) 133
- MB_DATA(35) 137
- MB_DATA(36) 137
- MB_DATA(37) 126
- MB_DATA(38) 134
- MB_DATA(39) 141
- MB_DATA(40) 136
- MB_DATA(41) 141
- MB_DATA(42) 151
- MB_DATA(43) 153
- MB_DATA(44) 140
- MB_DATA(45) 142
- MB_DATA(46) 152
- MB_DATA(47) 154
- MB_DATA(48) 157
- MB_DATA(49) 159
- MB_DATA(50) 173
- MB_DATA(51) 175
- MB_DATA(52) 158
- MB_DATA(53) 160
- MB_DATA(54) 174
- MB_DATA(55) 176
- MB_DATA(56) 179
- MB_DATA(57) 181
- MB_DATA(58) 189
- MB_DATA(59) 191
- MB_DATA(60) 180
- MB_DATA(61) 182
- MB_DATA(62) 192
- MB_DATA(63) 194

+V1.8

26-25-21-12-8-27



+V3S

57-56-54-49-48-47-46-44-40-39-37-36-34-33-32-31-30-29-26-24-21-20-15-14-13-11-10-8-5-27

C139 1

0.1UF_16V 2

C140 1

2 2.2UF_16V

C58 1

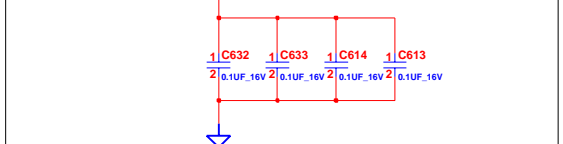
0.1UF_16V 2

C57 1

2 2.2UF_16V

+V1.8

26-25-21-12-8-27



CN12

- VDD1 112
- VDD2 111
- VDD3 117
- VDD4 96
- VDD5 95
- VDD6 118
- VDD7 81
- VDD8 82
- VDD9 87
- VDD10 103
- VDD11 88
- VDD12 104

CN1

- NC0 83
- NC2 80
- NC3 80
- NC4 80
- NCTEST 103

VREF

1

GND0 02

GND1 02

VSS1 47

VSS2 133

VSS3 183

VSS4 77

VSS5 12

VSS6 48

VSS7 184

VSS8 78

VSS9 71

VSS10 72

VSS11 121

VSS12 175

VSS13 196

VSS14 193

VSS15 8

VSS16 18

VSS17 24

VSS18 41

VSS19 53

VSS20 62

VSS21 54

VSS22 59

VSS23 65

VSS24 90

VSS25 66

VSS26 127

VSS27 129

VSS28 128

VSS29 145

VSS30 165

VSS31 171

VSS32 172

VSS33 177

VSS34 187

VSS35 178

VSS36 190

VSS37 0

VSS38 0

VSS39 81

VSS40 155

VSS41 04

VSS42 132

VSS43 144

VSS44 156

VSS45 168

VSS46 5

VSS47 0

VSS48 15

VSS49 27

VSS50 69

VSS51 149

VSS52 161

VSS53 28

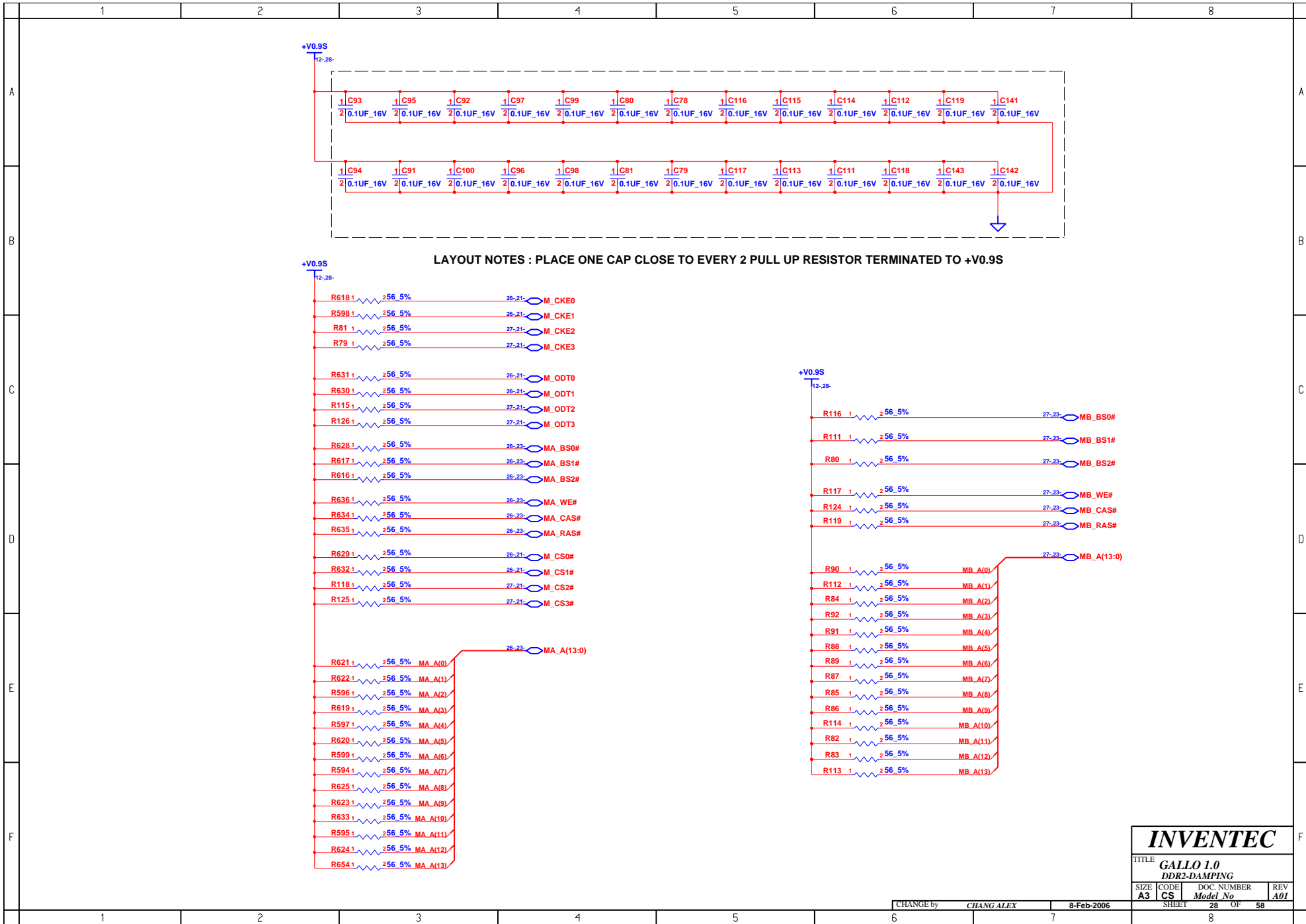
VSS54 10

VSS55 138

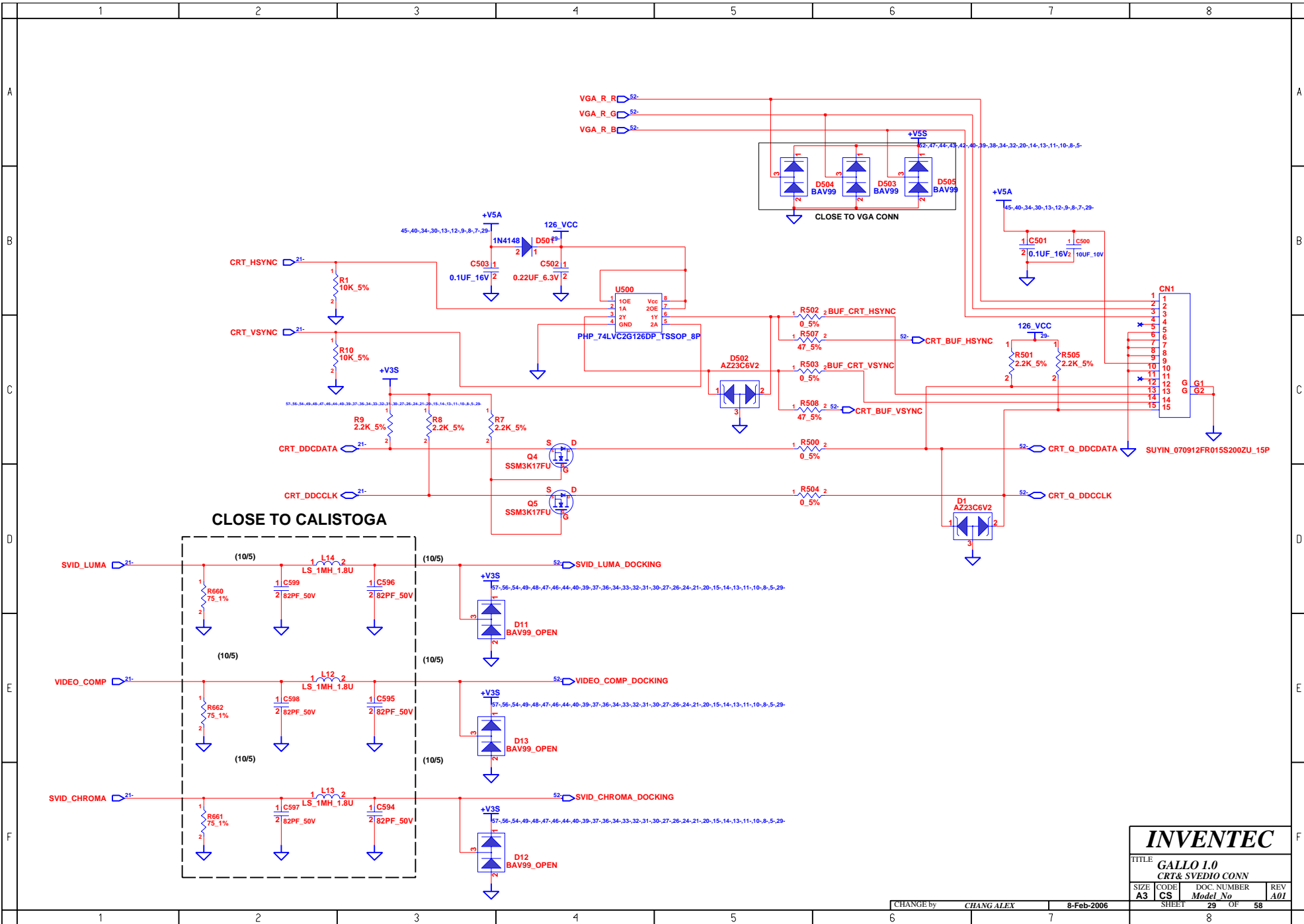
VSS56 150

VSS57 162

FOX_AS0A426_M2RN_7F_200P

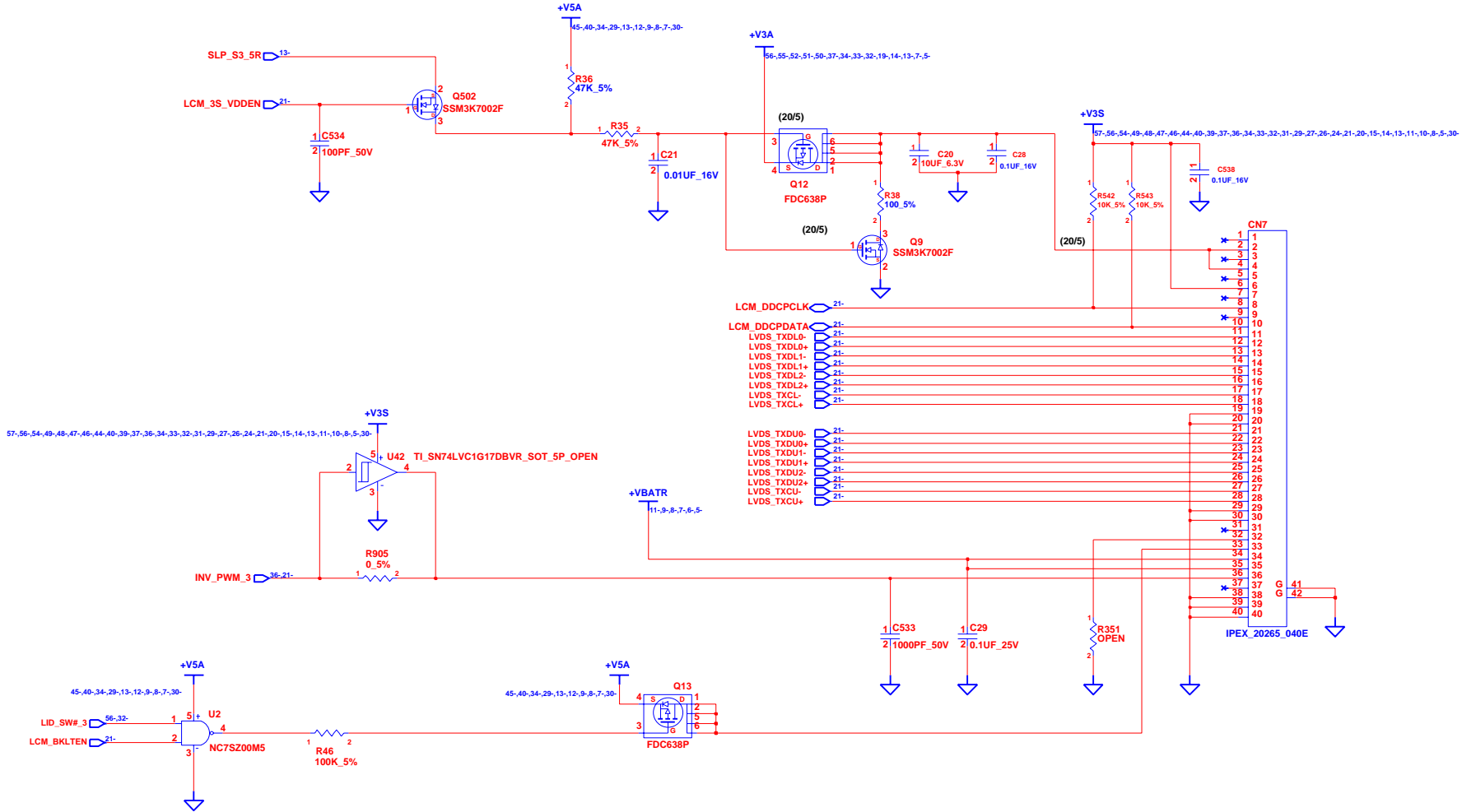


INVENTEC			
TITLE GALLO I.0			
DDR2-DAMPING			
SIZE	CODE	DOC. NUMBER	REV
A3	CS	Model No	A01
CHANGE by		8-Feb-2006	SHEET 28 OF 58
CHANG ALEX			



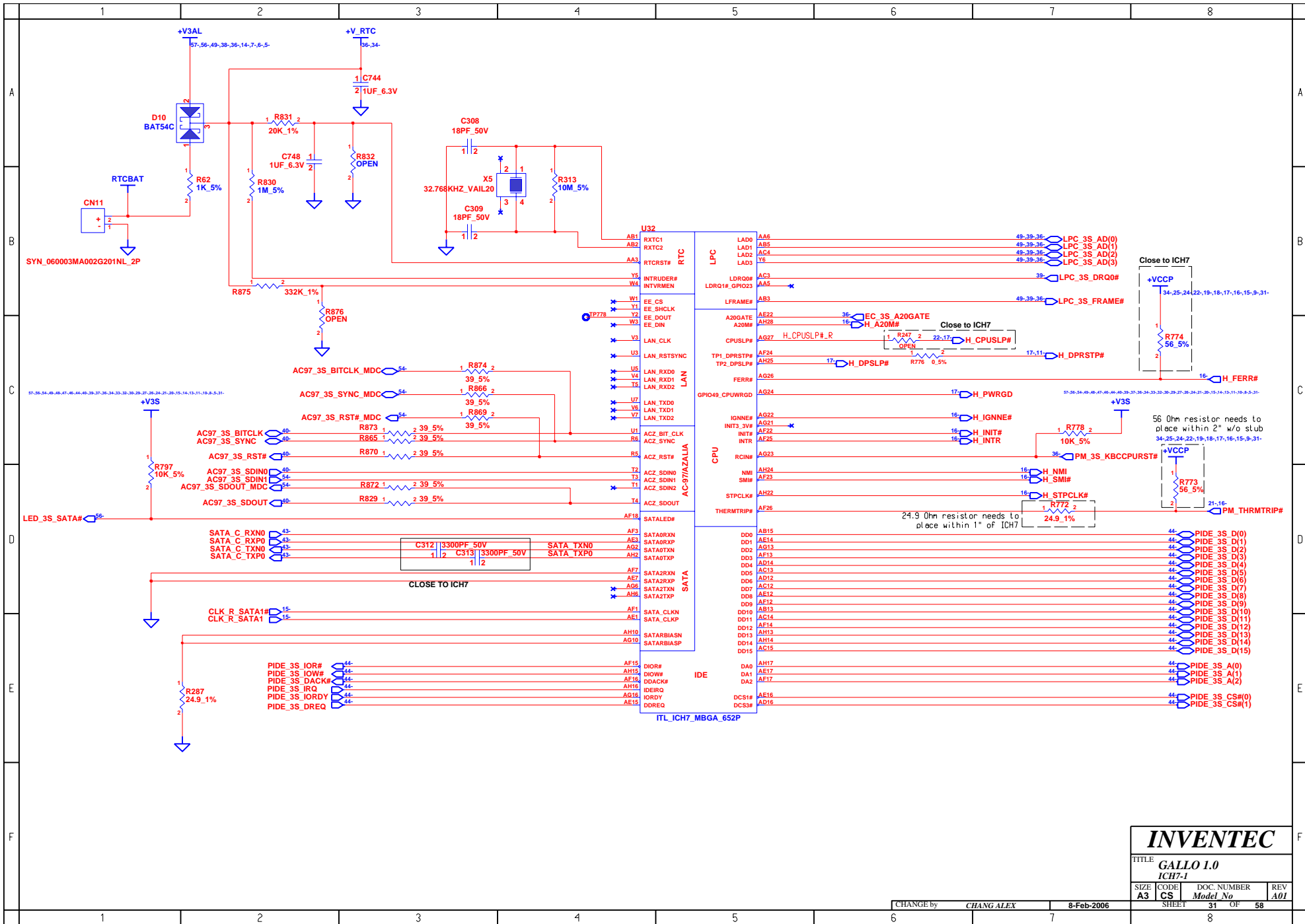
INVENTEC			
TITLE GALLO I.0 CRT & SVEDIO CONN			
SIZE A3	CODE CS	DOC. NUMBER <i>Model No</i>	REV A01
CHANGE by <i>CHANG ALEX</i>		8-Feb-2006	
SHEET 29		OF 58	

Place closed to connector



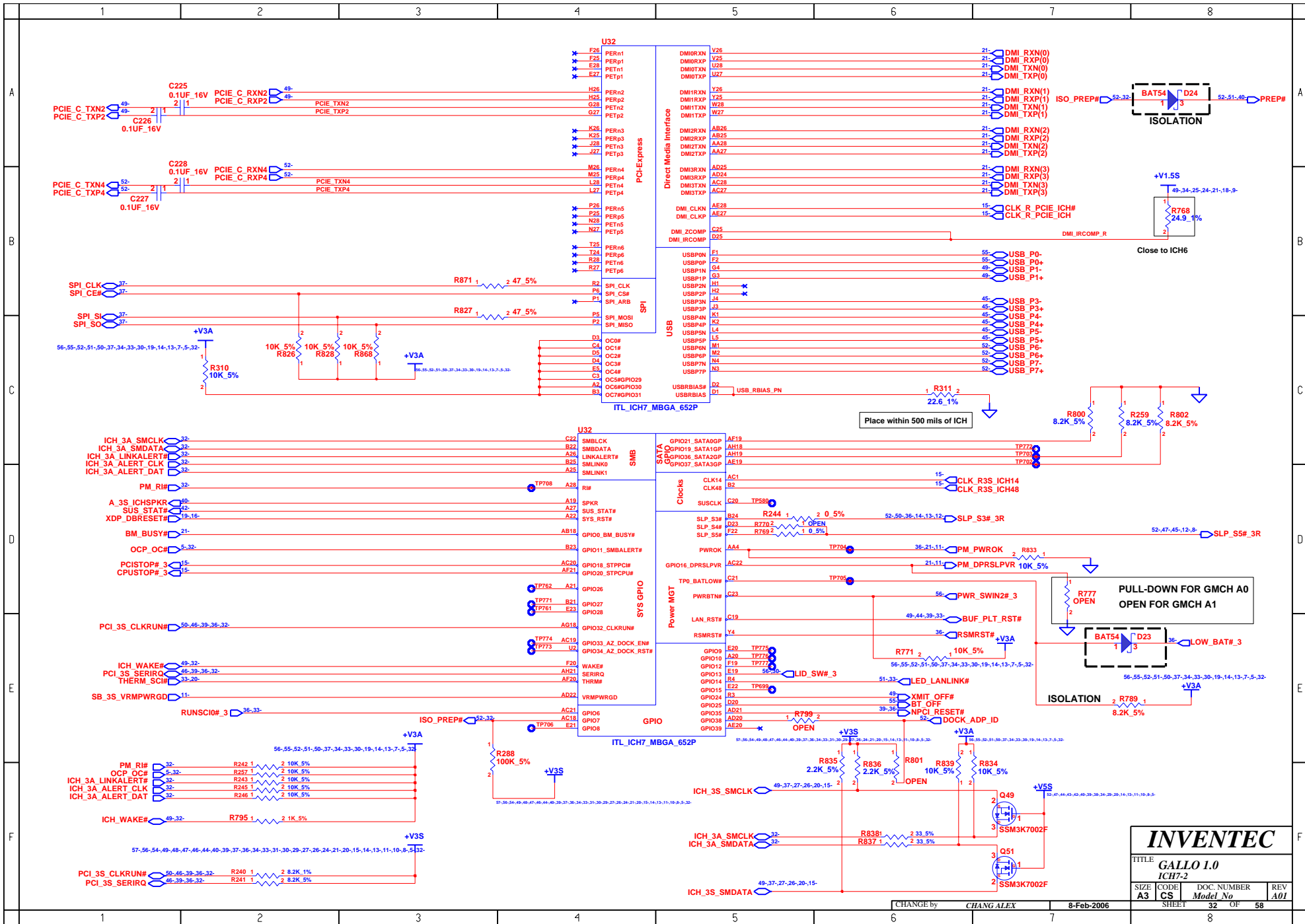
INVENTEC

TITLE			
GALLO 1.0			
LCD CONN			
SIZE	CODE	DOC. NUMBER	REV
A3	CS	Model No	A01

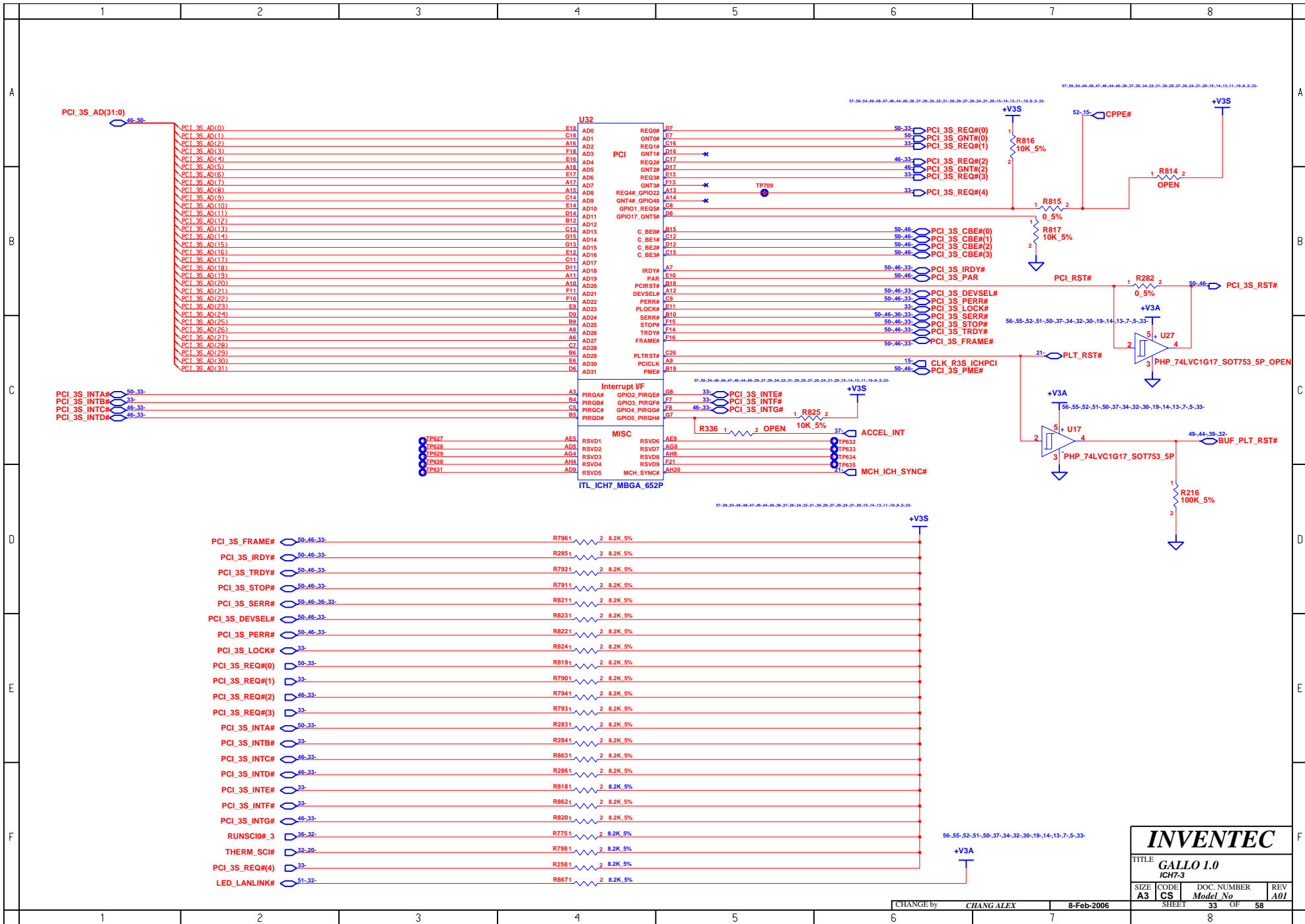


INVENTEC

TITLE			
GALLO I.0			
ICH7-1			
SIZE	CODE	DOC. NUMBER	REV
A3	CS	Model No	A01



INVENTEC			
TITLE GALLO I.0			
ICH7-2			
SIZE	CODE	DOC. NUMBER	REV
A3	CS	Model No	A01
CHANGE by		CHANG ALEX	8-Feb-2006
SHEET		32	OF 58



INVENTEC			
TITLE GALLO I.0			
ICH7-3			
SIZE	CODE	DOC. NUMBER	REV
A3	CS	Model No	A01
CHANGE by		8-Feb-2006	
SHEET		33 OF 58	

	1	2	3	4	5	6	7	8	
A									A
B									B
C									C
D									D
E									E
F									F

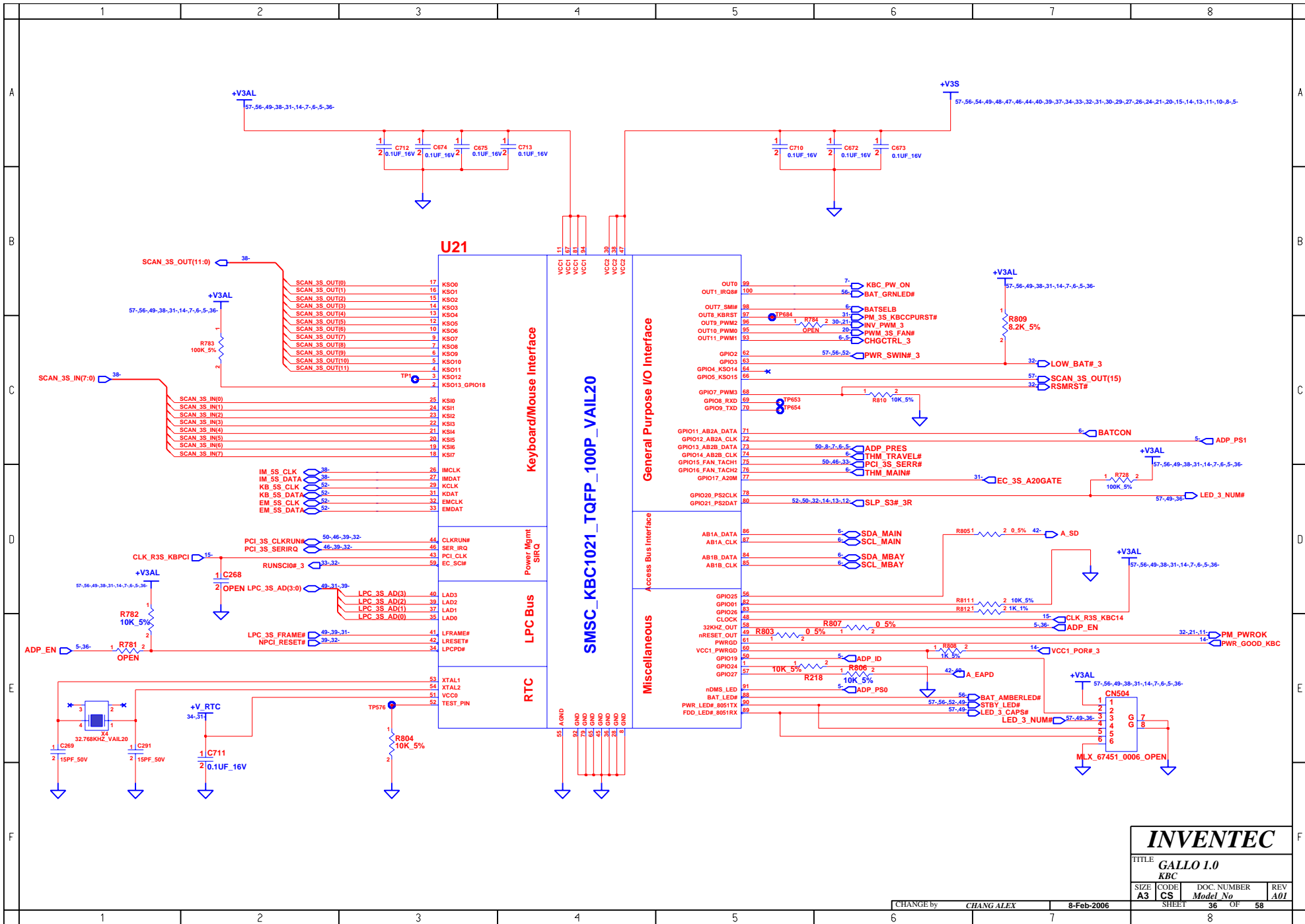
U32

A4	VSS1	VSS98
A23	VSS2	VSS99
B1	VSS3	VSS100
B8	VSS4	VSS101
B11	VSS5	VSS102
B14	VSS6	VSS103
B17	VSS7	VSS104
B20	VSS8	VSS105
B26	VSS9	VSS106
B29	VSS10	VSS107
C2	VSS11	VSS108
C6	VSS12	VSS109
C27	VSS13	VSS110
D10	VSS14	VSS111
D13	VSS15	VSS112
D18	VSS16	VSS113
D21	VSS17	VSS114
D24	VSS18	VSS115
E1	VSS19	VSS116
E2	VSS20	VSS117
E4	VSS21	VSS118
E8	VSS22	VSS119
E15	VSS23	VSS120
F3	VSS24	VSS121
F4	VSS25	VSS122
F5	VSS26	VSS123
F12	VSS27	VSS124
F27	VSS28	VSS125
F28	VSS29	VSS126
G1	VSS30	VSS127
G2	VSS31	VSS128
G6	VSS32	VSS129
G6	VSS33	VSS130
G9	VSS34	VSS131
G14	VSS35	VSS132
G18	VSS36	VSS133
G21	VSS37	VSS134
G24	VSS38	VSS135
G25	VSS39	VSS136
G26	VSS40	VSS137
H3	VSS41	VSS138
H4	VSS42	VSS139
H5	VSS43	VSS140
H24	VSS44	VSS141
H27	VSS45	VSS142
H28	VSS46	VSS143
J1	VSS47	VSS144
J2	VSS48	VSS145
J5	VSS49	VSS146
J24	VSS50	VSS147
J25	VSS51	VSS148
J26	VSS52	VSS149
K24	VSS53	VSS150
K27	VSS54	VSS151
K28	VSS55	VSS152
L13	VSS56	VSS153
L15	VSS57	VSS154
L24	VSS58	VSS155
L25	VSS59	VSS156
L26	VSS60	VSS157
M3	VSS61	VSS158
M4	VSS62	VSS159
M5	VSS63	VSS160
M12	VSS64	VSS161
M13	VSS65	VSS162
M14	VSS66	VSS163
M15	VSS67	VSS164
M16	VSS68	VSS165
M17	VSS69	VSS166
M24	VSS70	VSS167
M27	VSS71	VSS168
M28	VSS72	VSS169
N1	VSS73	VSS170
N2	VSS74	VSS171
N5	VSS75	VSS172
N6	VSS76	VSS173
N11	VSS77	VSS174
N12	VSS78	VSS175
N13	VSS79	VSS176
N14	VSS80	VSS177
N15	VSS81	VSS178
N16	VSS82	VSS179
N17	VSS83	VSS180
N18	VSS84	VSS181
N24	VSS85	VSS182
N25	VSS86	VSS183
N26	VSS87	VSS184
P3	VSS88	VSS185
P4	VSS89	VSS186
P12	VSS90	VSS187
P13	VSS91	VSS188
P14	VSS92	VSS189
P15	VSS93	VSS190
P16	VSS94	VSS191
P17	VSS95	VSS192
P24	VSS96	VSS193
P27	VSS97	VSS194

ITL_ICH7_MBGA_652P

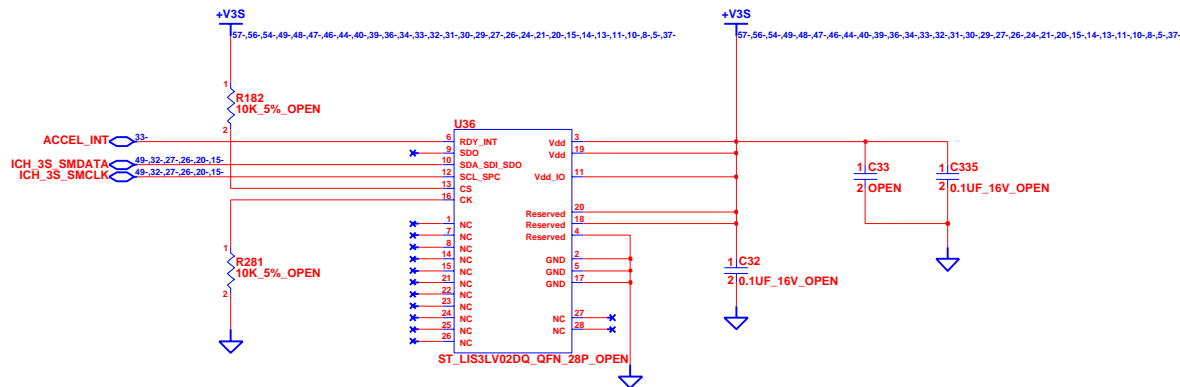


INVENTEC			
TITLE GALLO 1.0			
ICH7-5			
SIZE	CODE	DOC. NUMBER	REV
A3	CS	Model No	A01
SHEET		35	OF 58

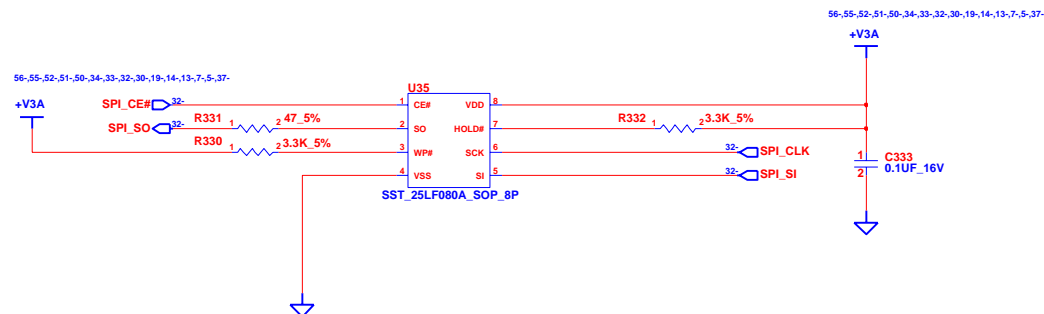


INVENTEC

TITLE			
GALLO 1.0			
KBC			
SIZE	CODE	DOC. NUMBER	REV
A3	CS	Model No	A01



HARDDRIVE PROTECTION

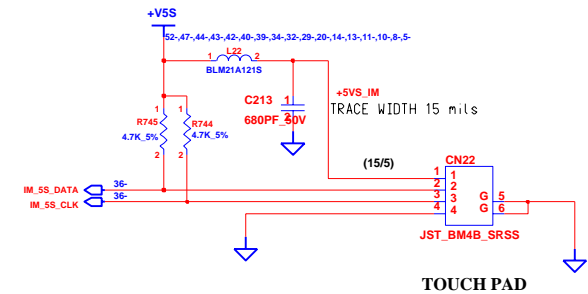
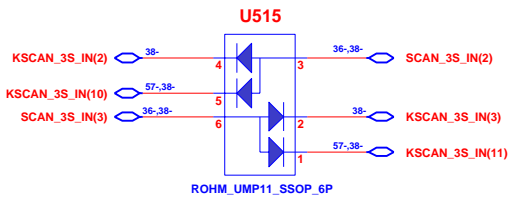
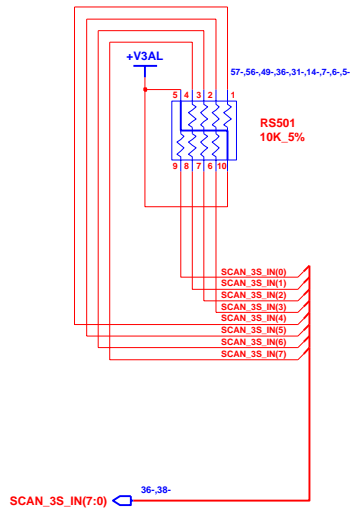
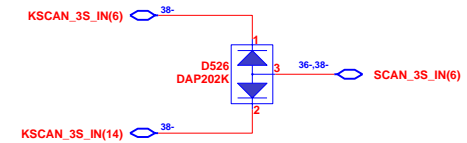
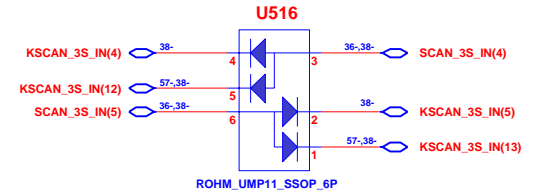
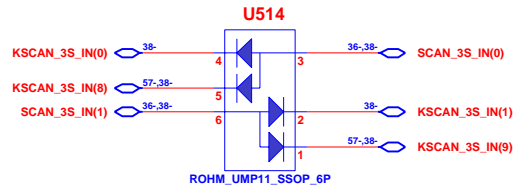
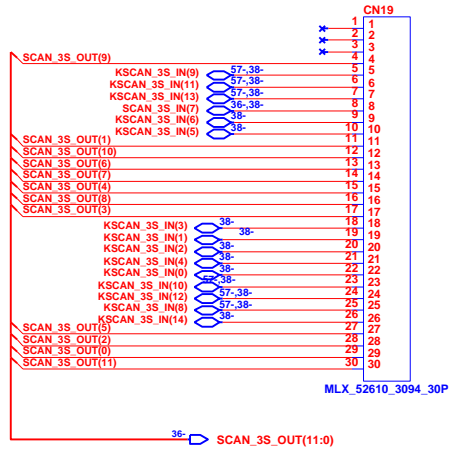


INVENTEC

TITLE			
GALLO 1.0			
SPI/HDD PROTECTION			
SIZE	CODE	DOC. NUMBER	REV
A3	CS	Model No	A01

CHANGE by CHANG ALEX 8-Feb-2006

SHEET 37 OF 58

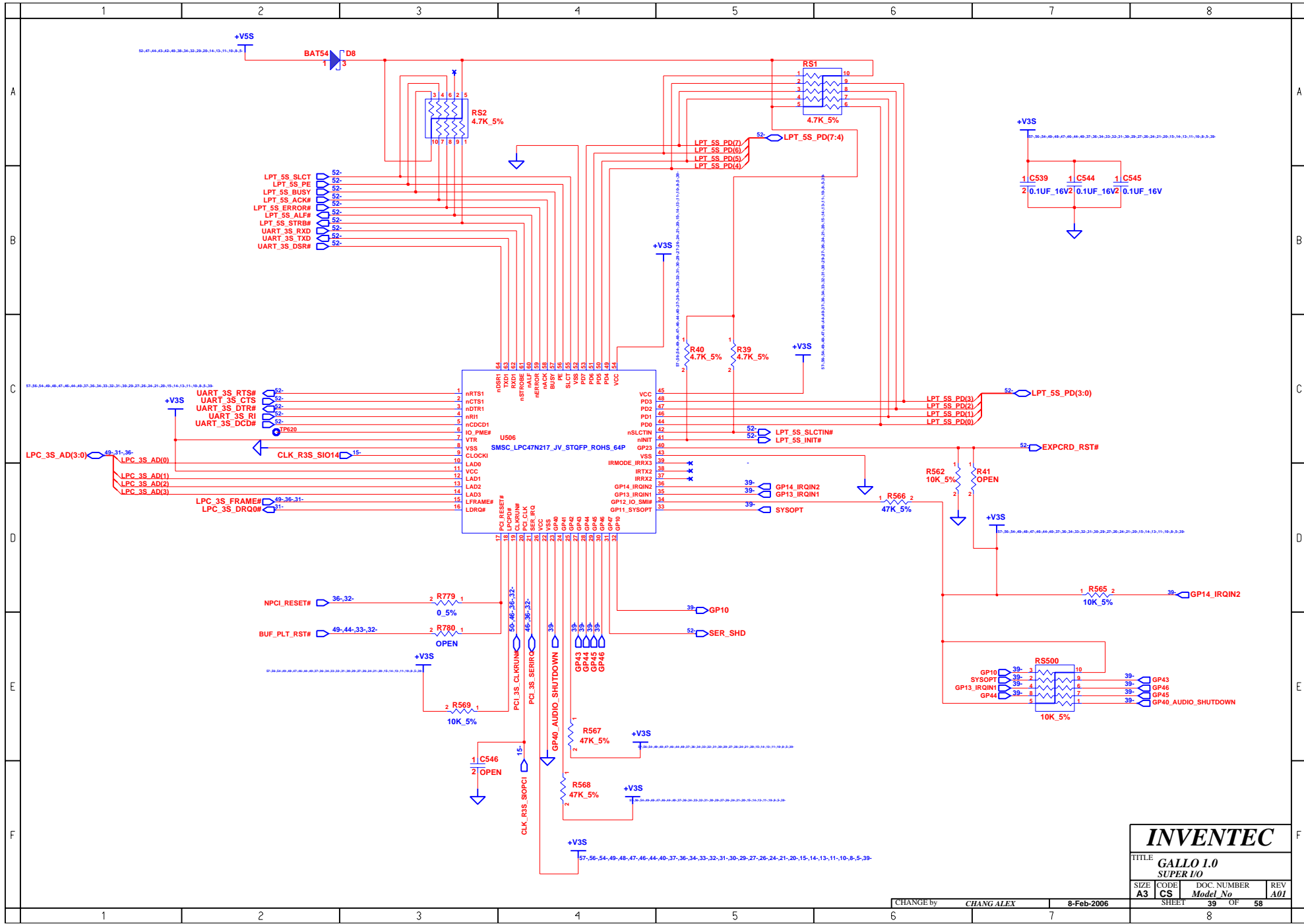


INVENTEC

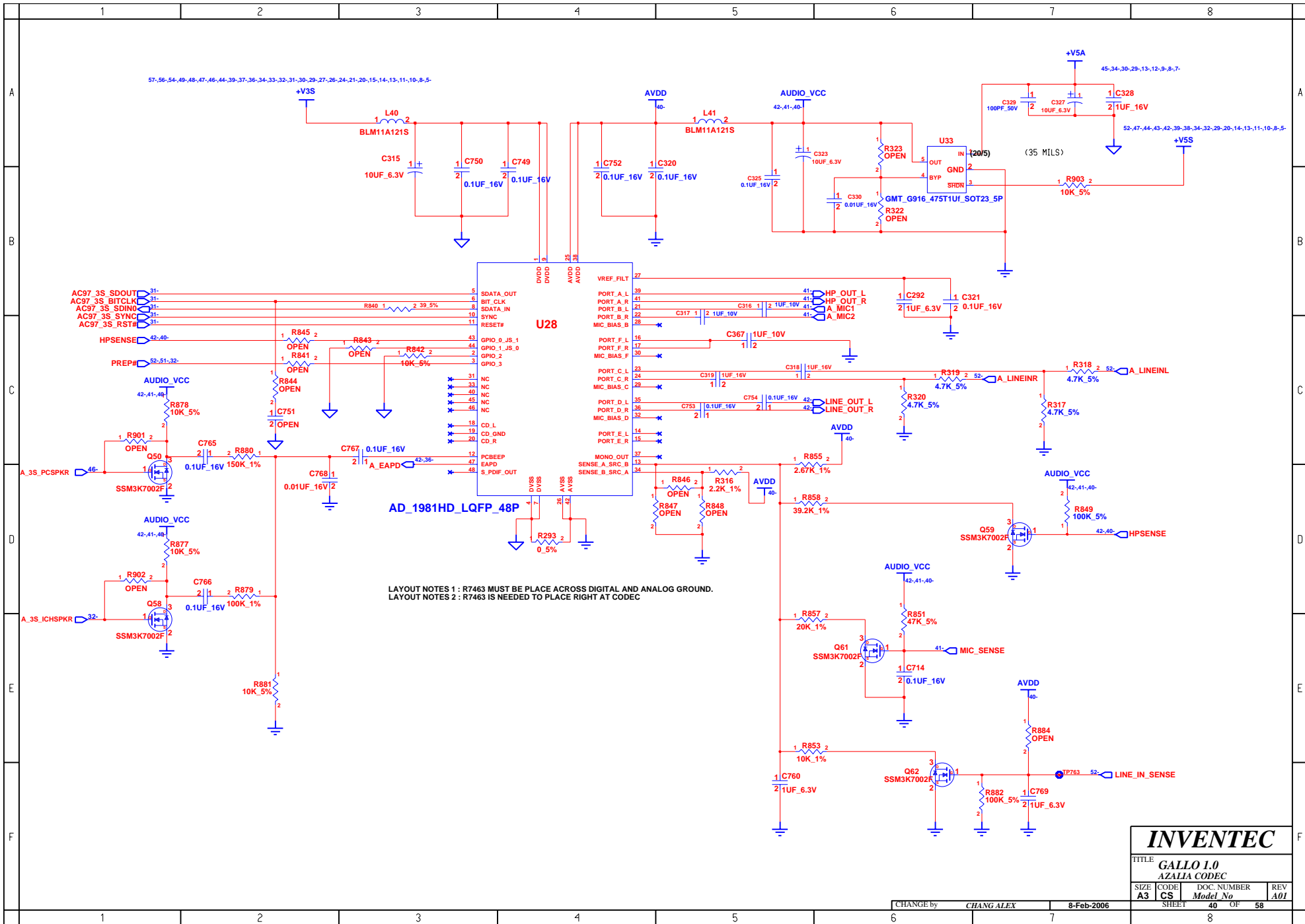
TITLE			
GALLO 1.0			
INT.KBC/POINT DEVICES			
SIZE	CODE	DOC. NUMBER	REV
A3	CS	Model No	A01

CHANGE by CHANG ALEX 8-Feb-2006

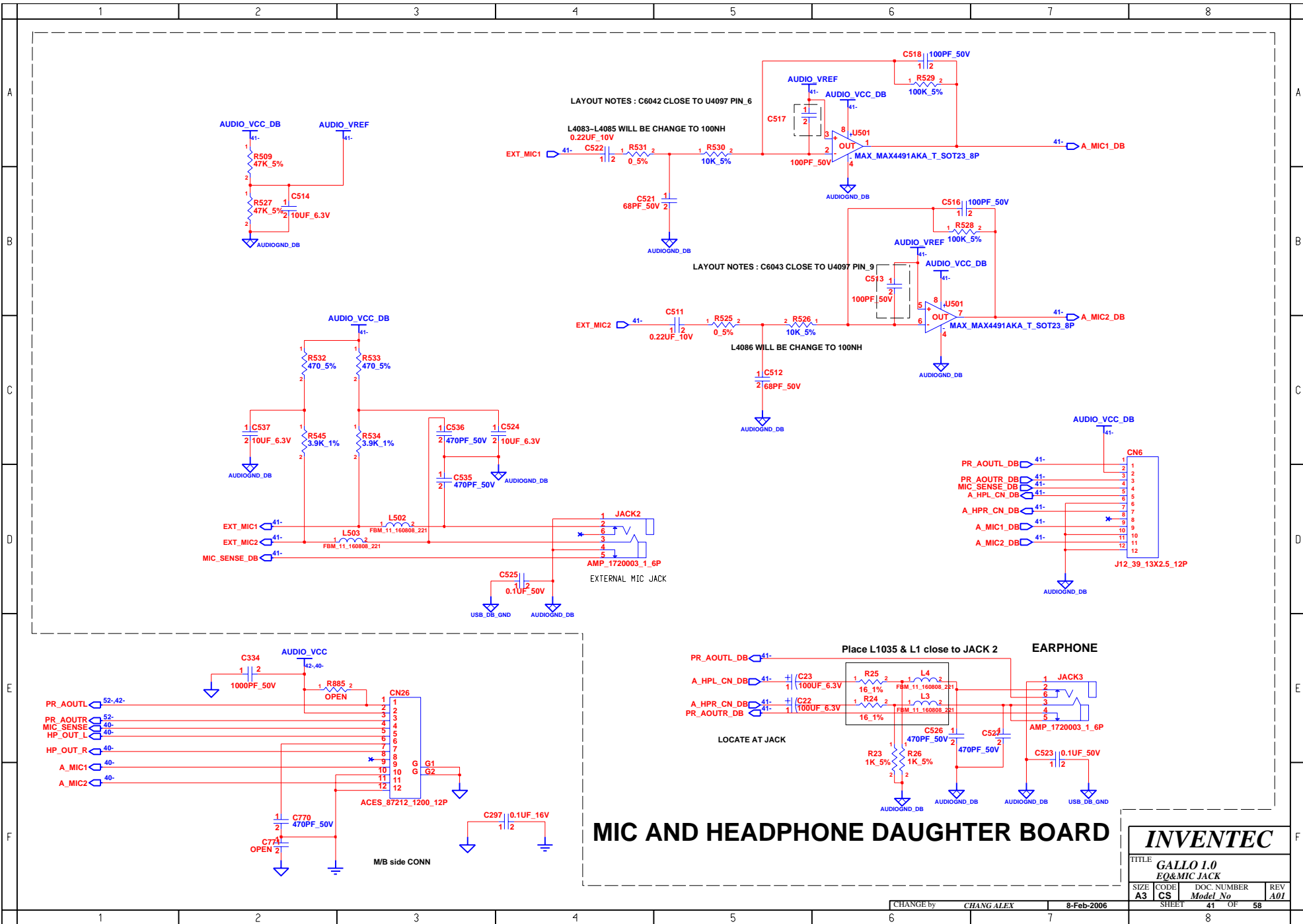
SHEET 38 OF 58



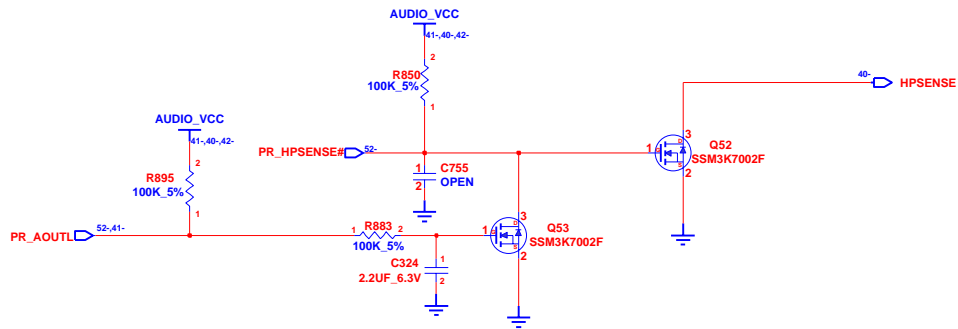
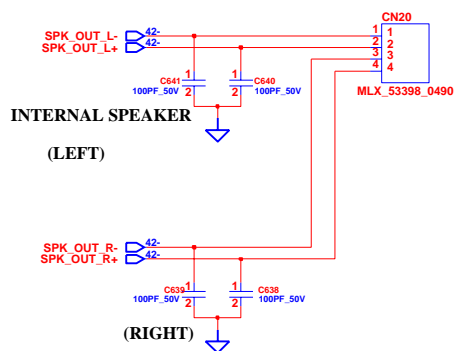
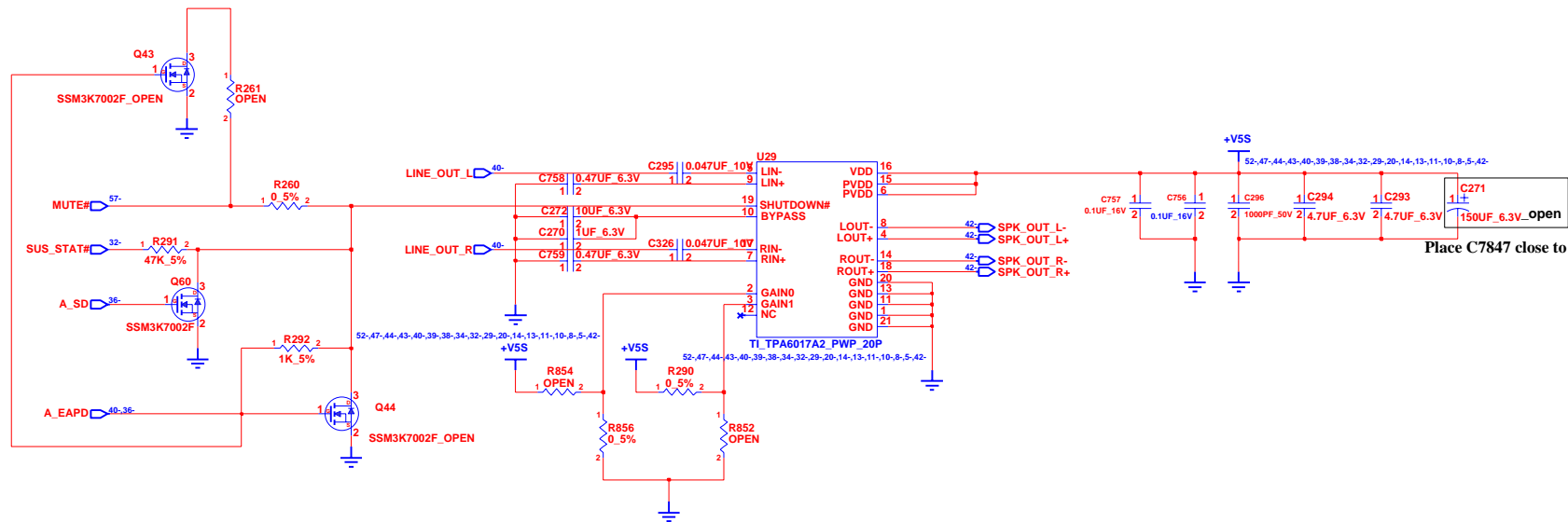
INVENTEC			
TITLE GALLO I.0 SUPER I/O			
SIZE A3	CODE CS	DOC. NUMBER <i>Model No</i>	REV A01
CHANGE by <i>CHANG ALEX</i>		8-Feb-2006	
SHEET 39		OF 58	



INVENTEC			
TITLE GALLO I.0 AZALIA CODEC			
SIZE A3	CODE CS	DOC. NUMBER <i>Model No</i>	REV A01
CHANGE by <i>CHANG ALEX</i>		8-Feb-2006	
SHEET 40		OF 58	



INVENTEC			
TITLE GALLO I.0 EQ&MIC JACK			
SIZE A3	CODE CS	DOC NUMBER Model No	REV A01
CHANGE by CHANG ALEX		8-Feb-2006	
SHEET 41		OF 58	

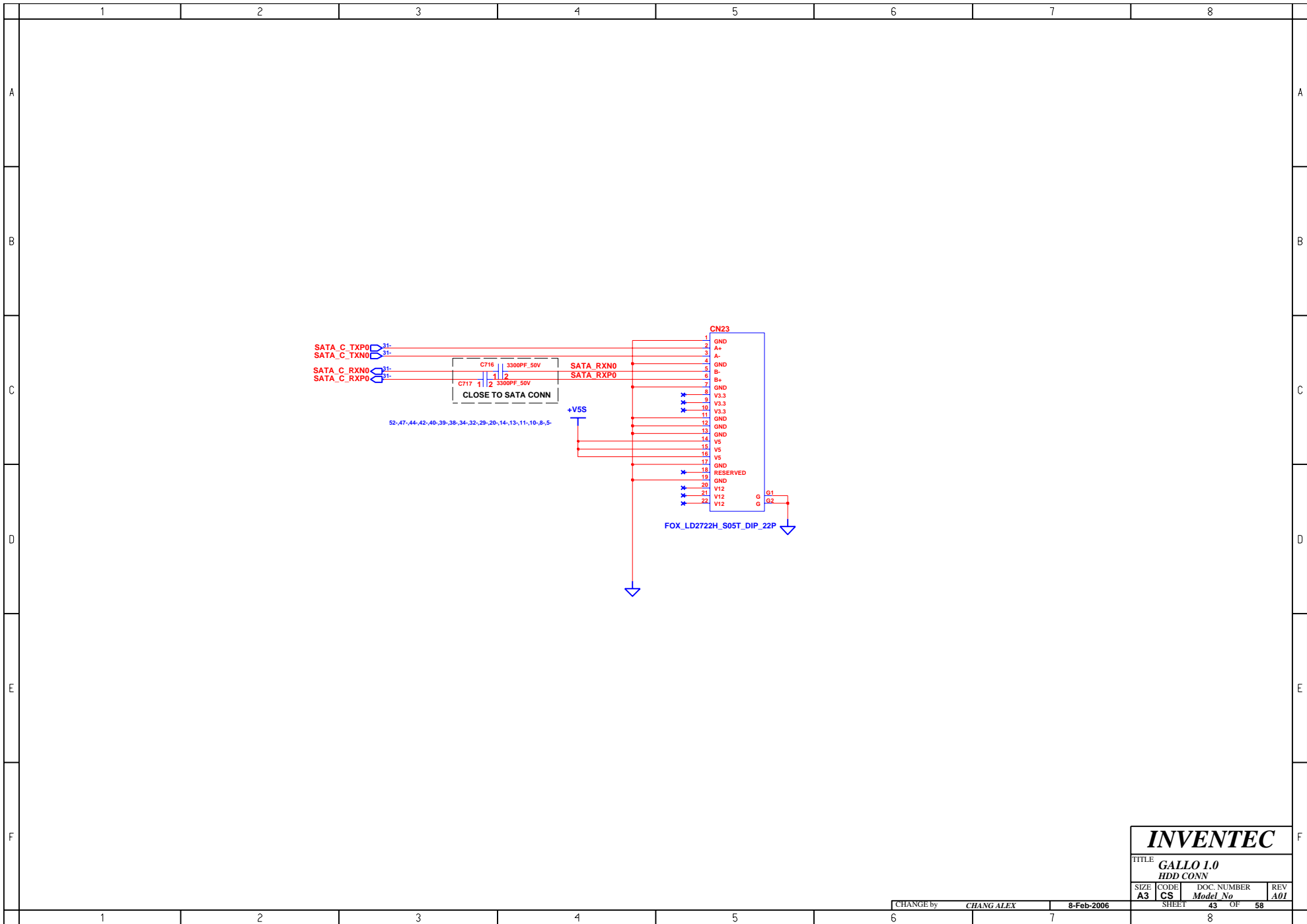


INVENTEC

TITLE			
GALLO I.0			
AUDIO AMP & HP JACK			
SIZE	CODE	DOC. NUMBER	REV
A3	CS	Model No	A01

CHANGE by CHANG ALEX 8-Feb-2006

SHEET 42 OF 58



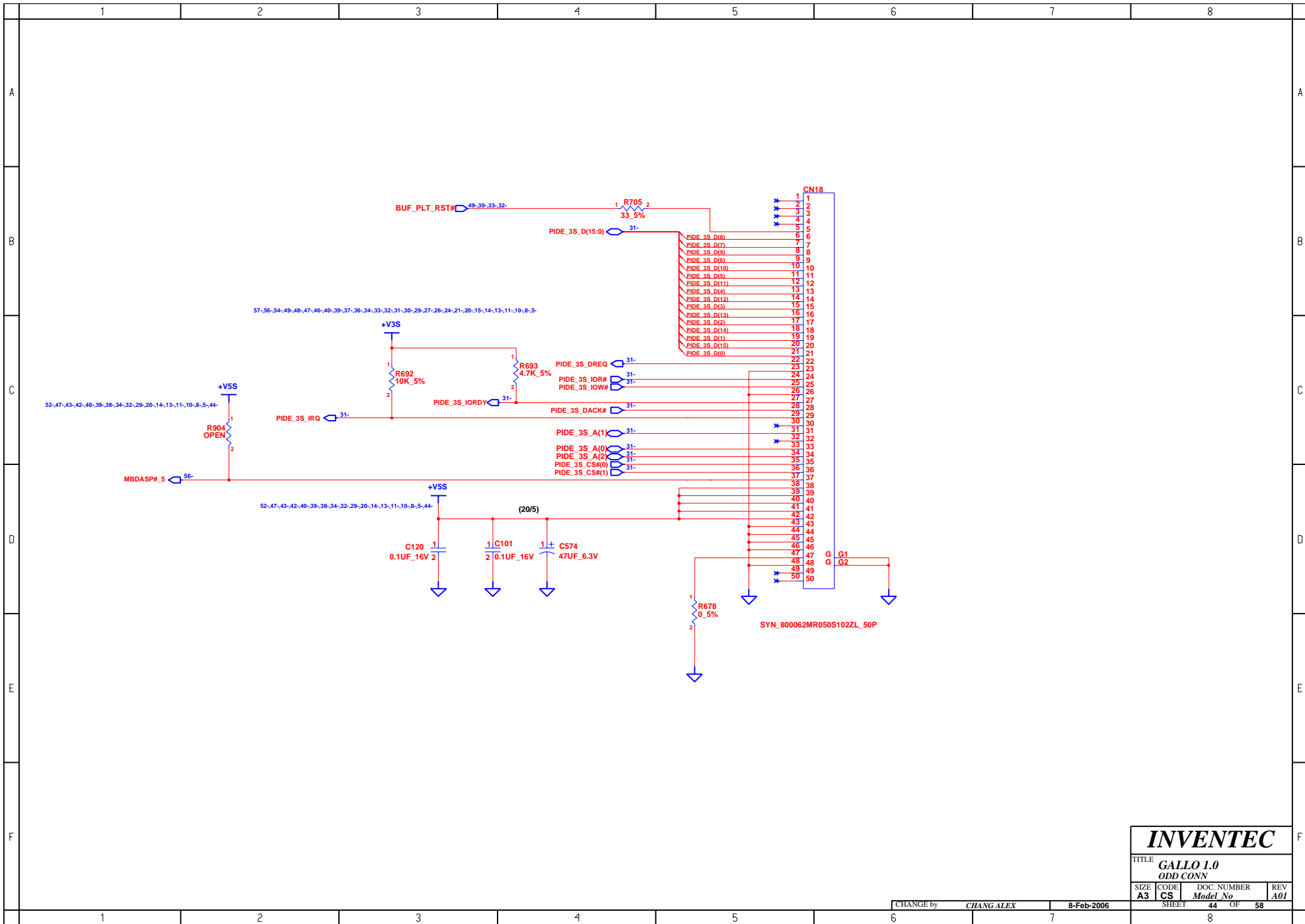
INVENTEC

TITLE **GALLO 1.0**
HDD CONN

SIZE A3	CODE CS	DOC. NUMBER <i>Model No</i>	REV A01
-------------------	-------------------	--------------------------------	-------------------

CHANGE by *CHANG ALEX* 8-Feb-2006

SHEET 43 OF 58

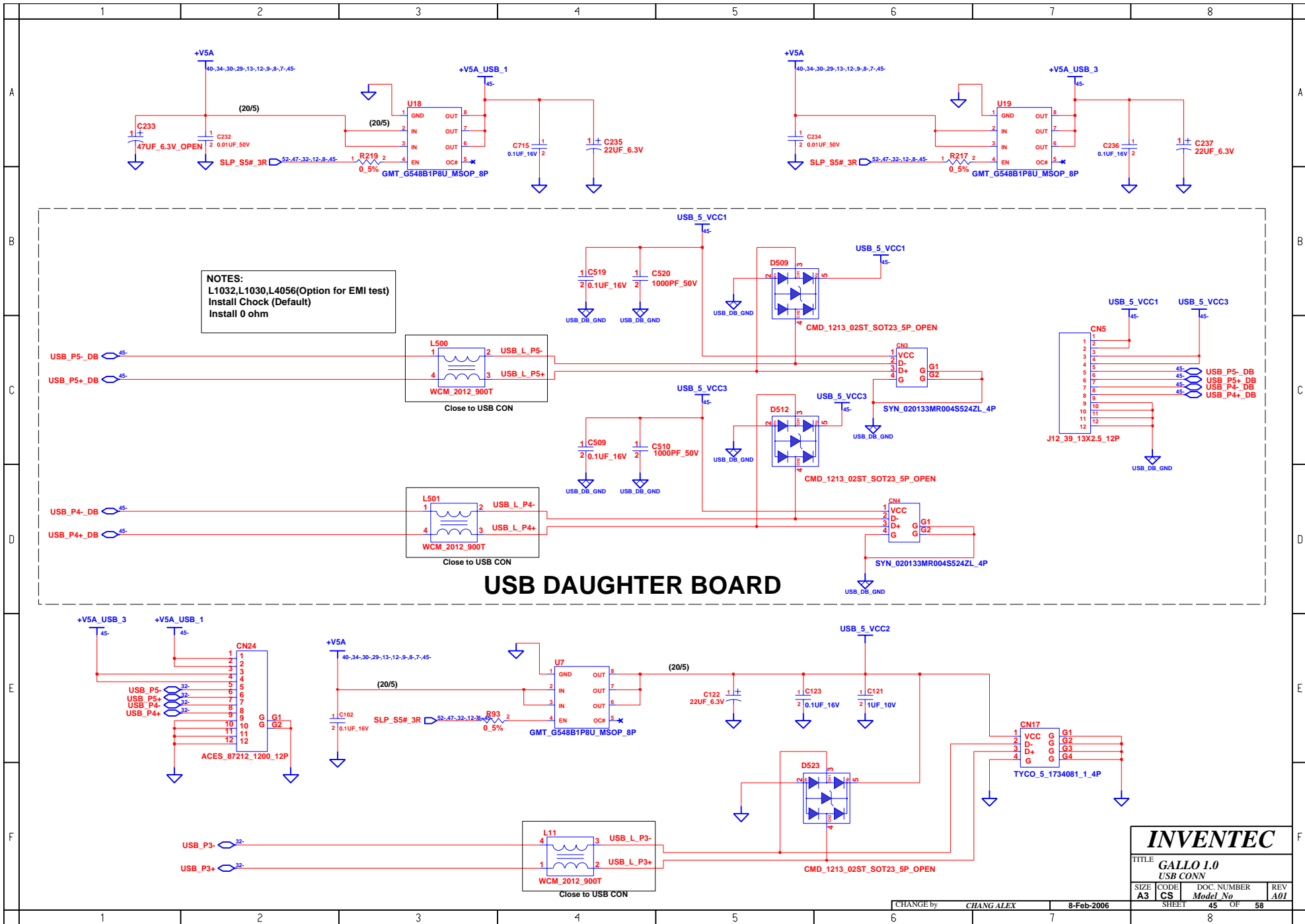


INVENTEC

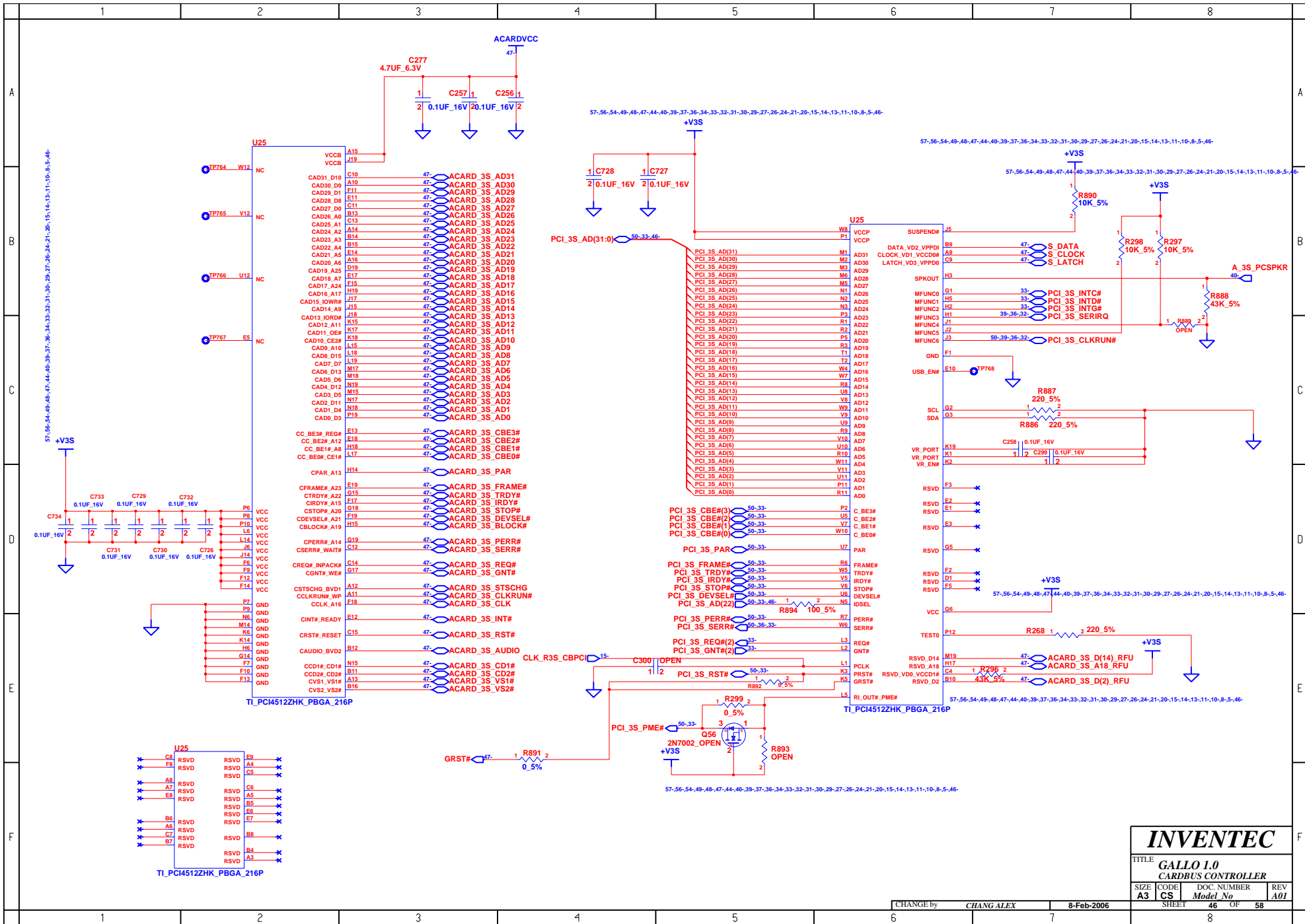
TITLE **GALLO 1.0**
ODD CONN

SIZE A3	CODE CS	DOC. NUMBER <i>Model No</i>	REV A01
-------------------	-------------------	--------------------------------	-------------------

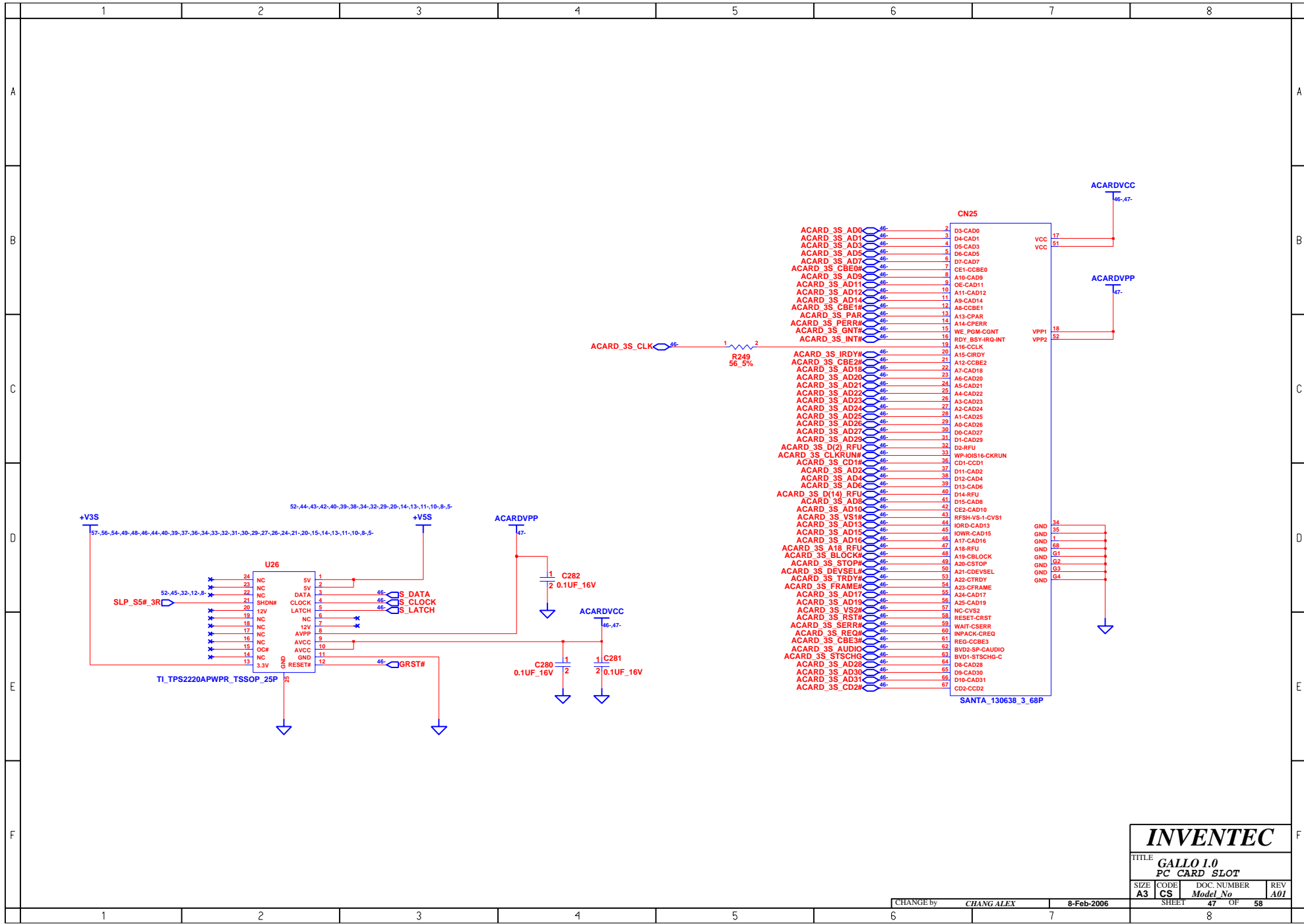
CHANGE by **CHANG ALEX** 8-Feb-2006 SHEET 44 OF 58



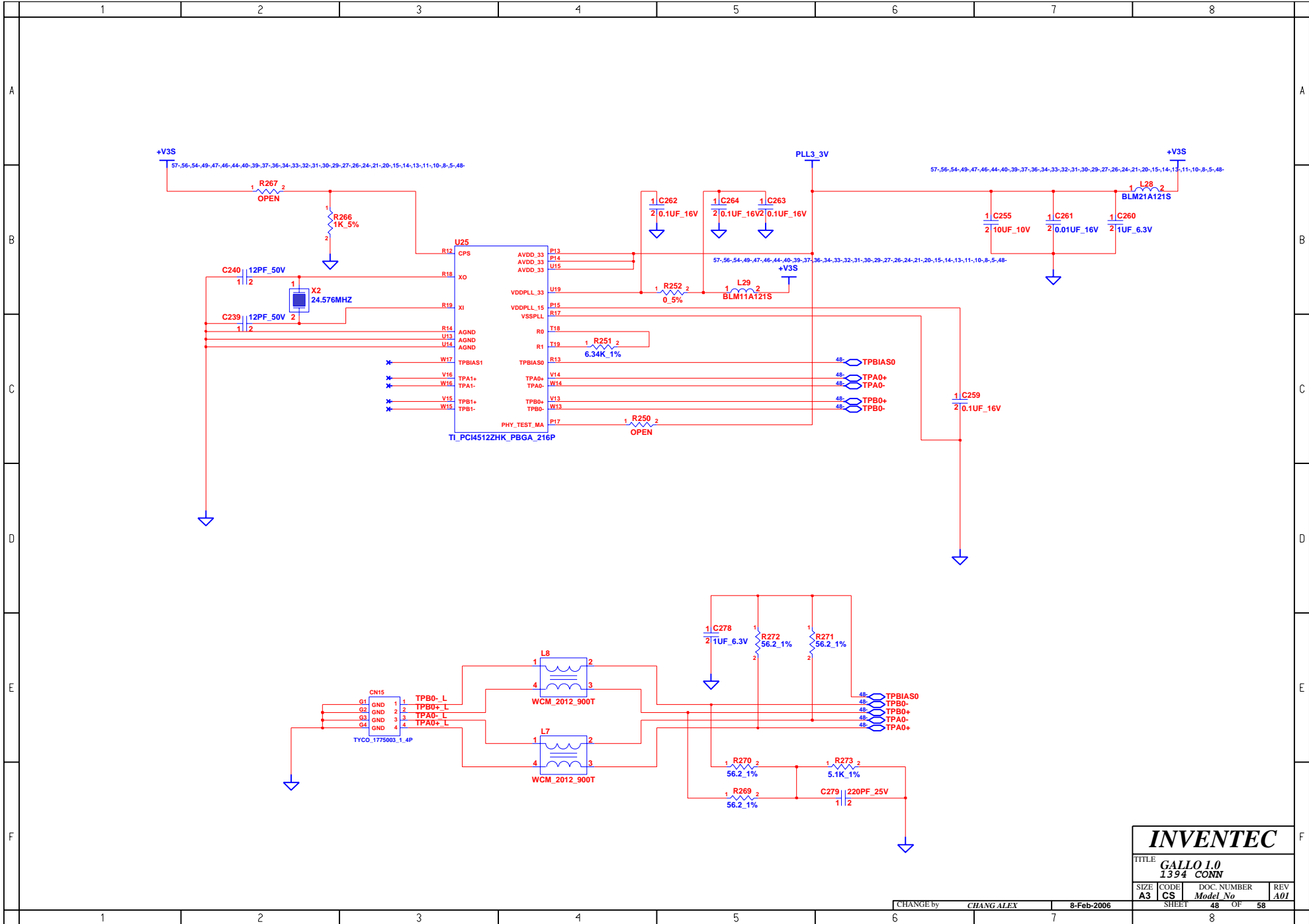
INVENTEC			
TITLE GALLO I.0 USB CONN			
SIZE A3	CODE CS	DOC. NUMBER <i>Model No</i>	REV A01
CHANGE by <i>CHANG ALEX</i>		8-Feb-2006	
SHEET 45		OF 58	



INVENTEC			
TITLE GALLO I.0 CARBUS CONTROLLER			
SIZE A3	CODE CS	DOC. NUMBER Model No	REV A01
CHANGE by CHANG ALEX		8-Feb-2006	
SHEET 46		OF 58	



INVENTEC			
TITLE GALLO 1.0 PC CARD SLOT			
SIZE A3	CODE CS	DOC. NUMBER Model No	REV A01
CHANGE by CHANG ALEX		8-Feb-2006	SHEET 47 OF 58

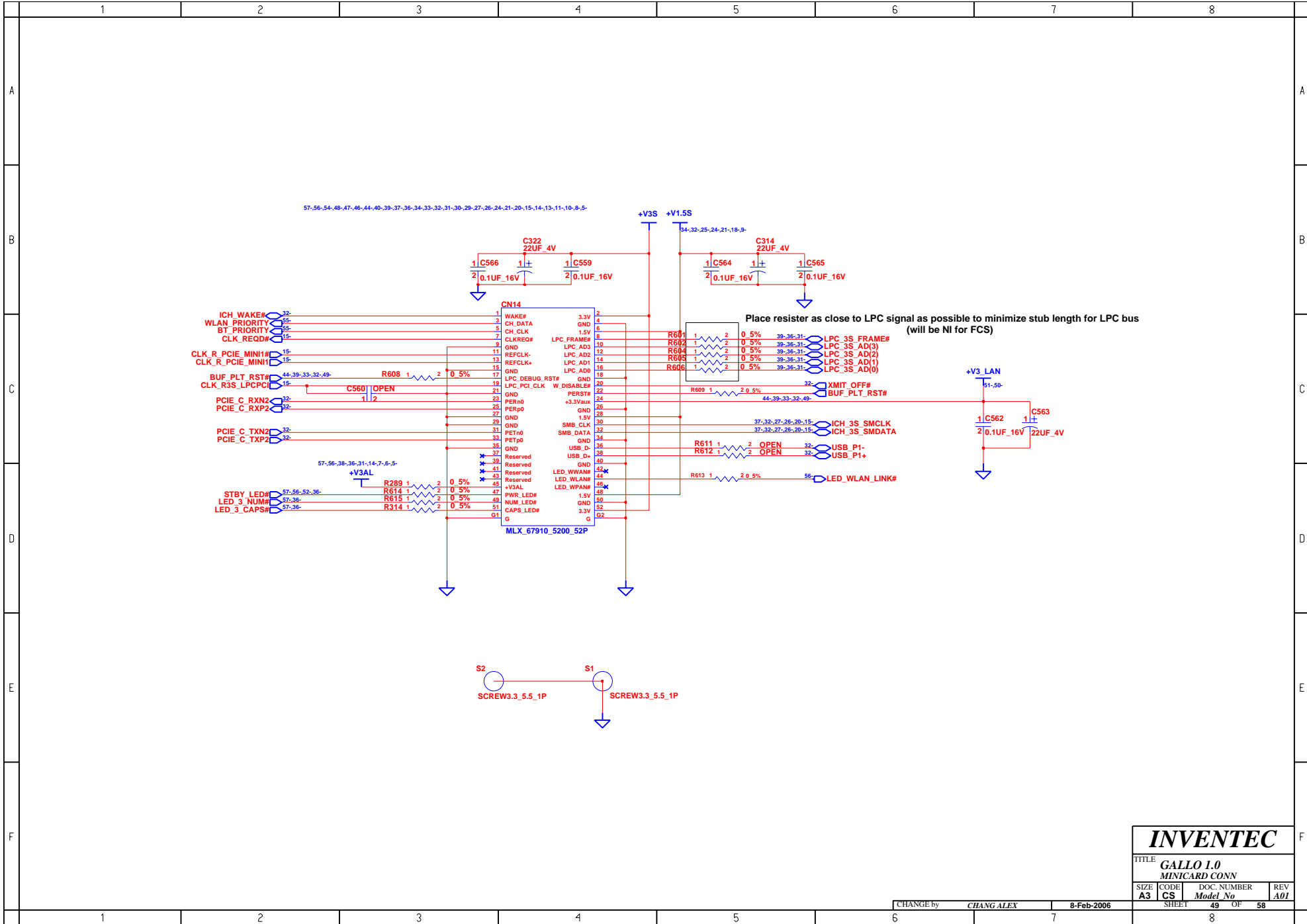


INVENTEC

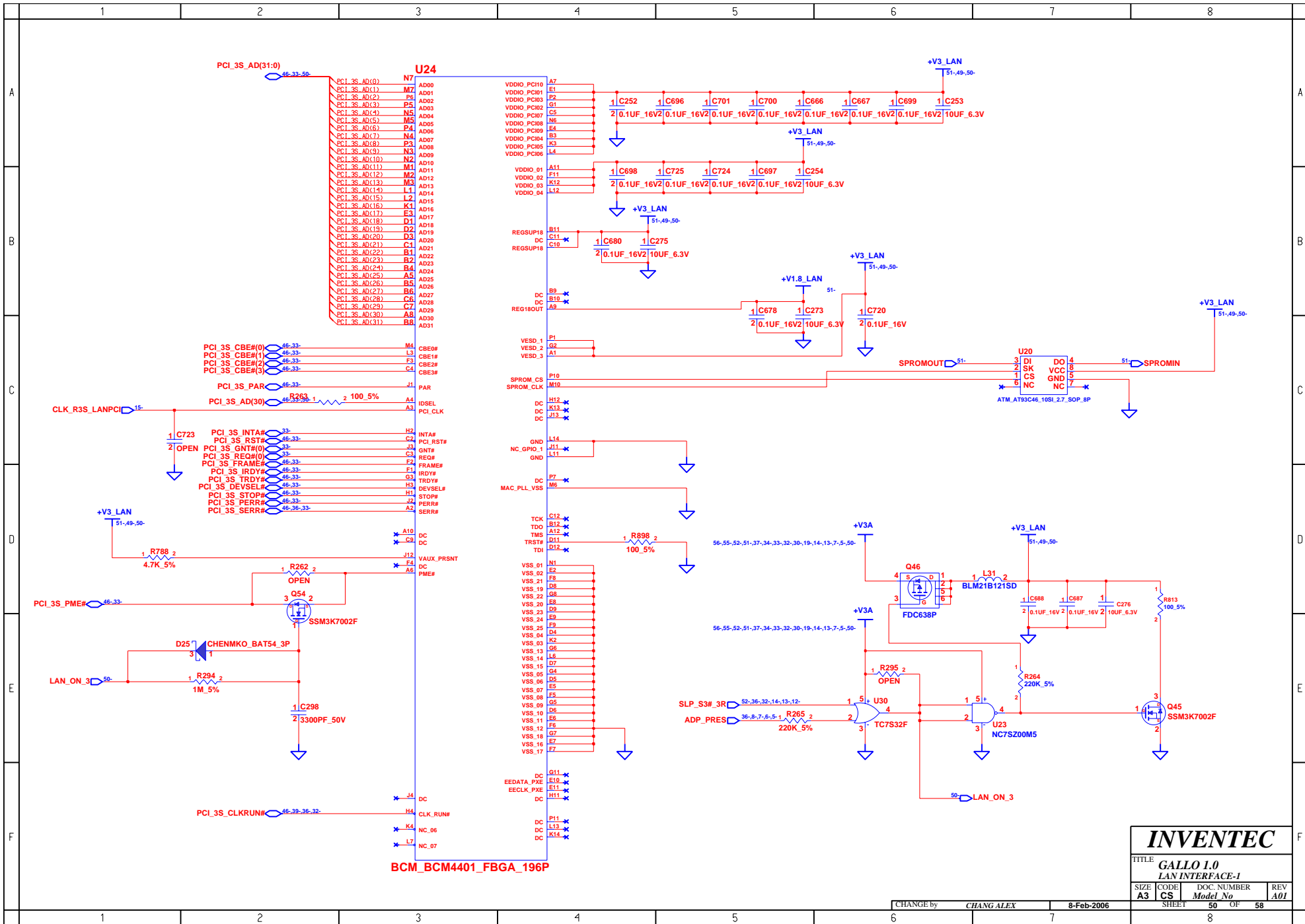
TITLE
GALLO 1.0
1394_CONN

SIZE A3	CODE CS	DOC. NUMBER <i>Model No</i>	REV A01
-------------------	-------------------	--------------------------------	-------------------

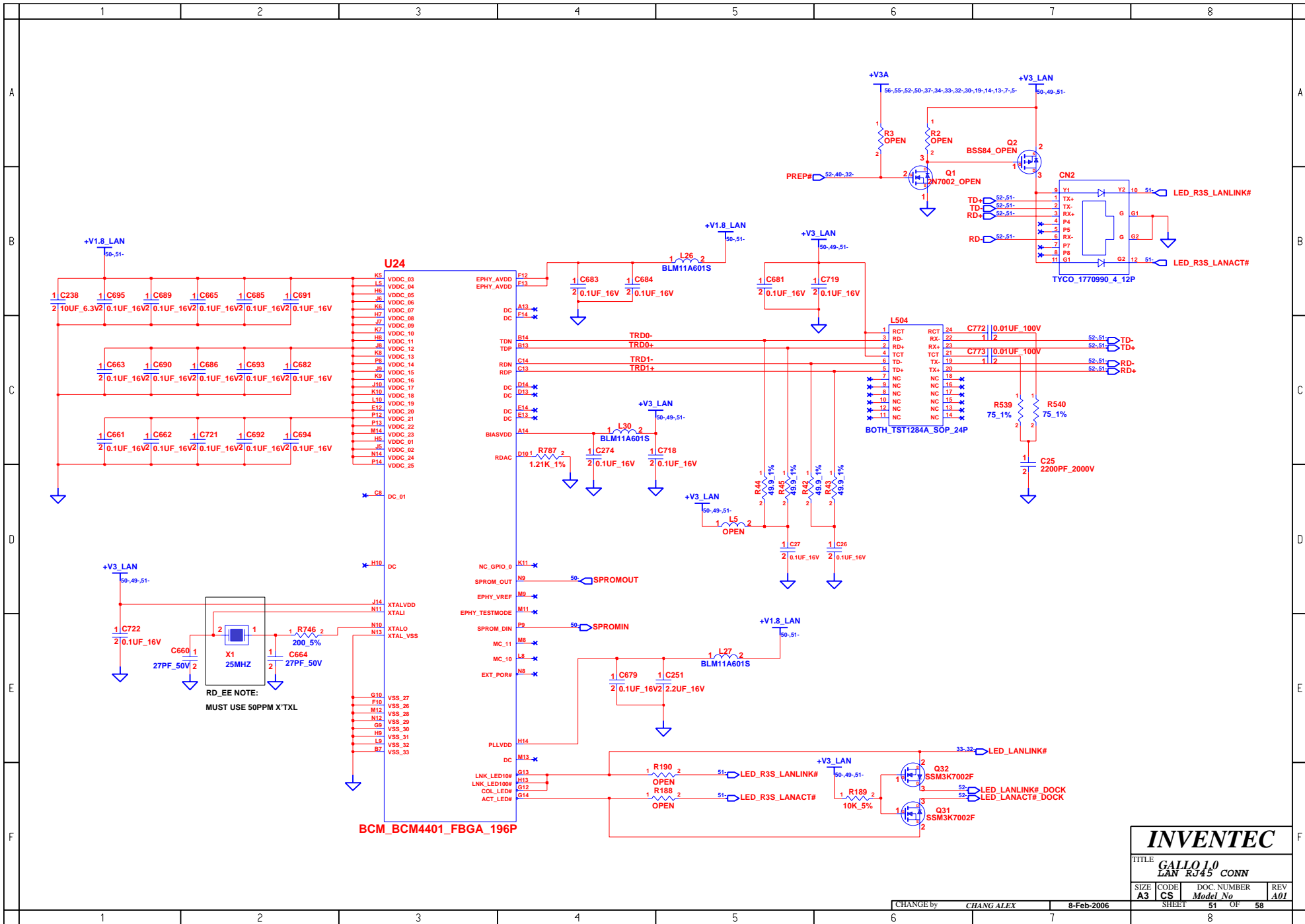
CHANGE by *CHANG ALEX* 8-Feb-2006 SHEET 48 OF 58



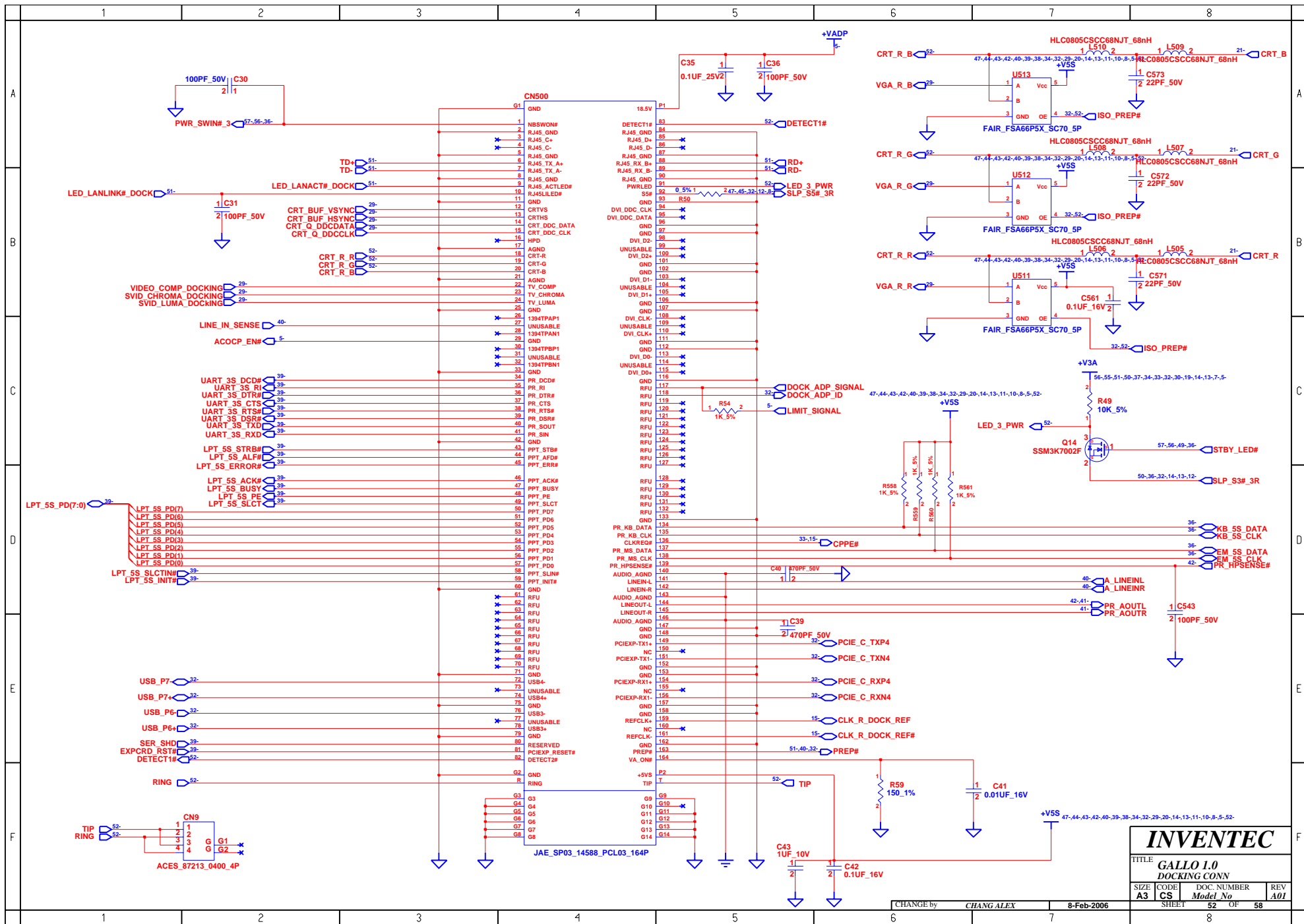
INVENTEC			
TITLE GALLO I.0 MINICARD CONN			
SIZE A3	CODE CS	DOC. NUMBER Model No	REV A01
CHANGE by		CHANG ALEX	8-Feb-2006
SHEET		49	OF 58



INVENTEC			
TITLE GALLO I.0 LAN INTERFACE-1			
SIZE A3	CODE CS	DOC. NUMBER Model No	REV A01
CHANGE by CHANG ALEX		8-Feb-2006	
SHEET 50		OF 58	



INVENTEC			
TITLE GALLO10 LAN R345 CONN			
SIZE A3	CODE CS	DOC. NUMBER <i>Model No</i>	REV A01
CHANGE by <i>CHANG ALEX</i>		8-Feb-2006	
SHEET 51		OF 58	

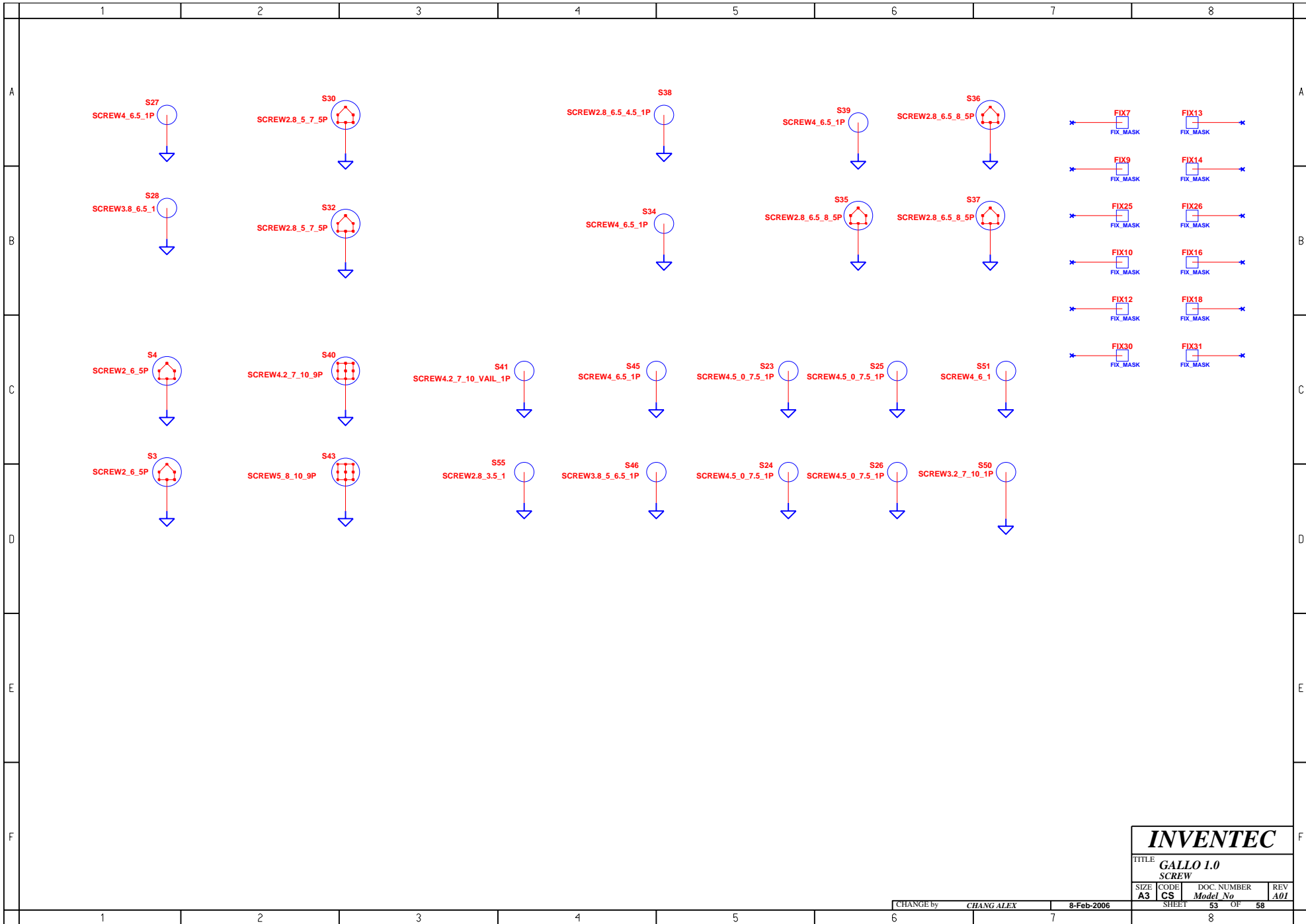


INVENTEC

TITLE
GALLO I.0
DOCKING CONN

SIZE A3	CODE CS	DOC NUMBER Doc No	REV A01
------------	------------	----------------------	------------

SHEET 52 OF 58



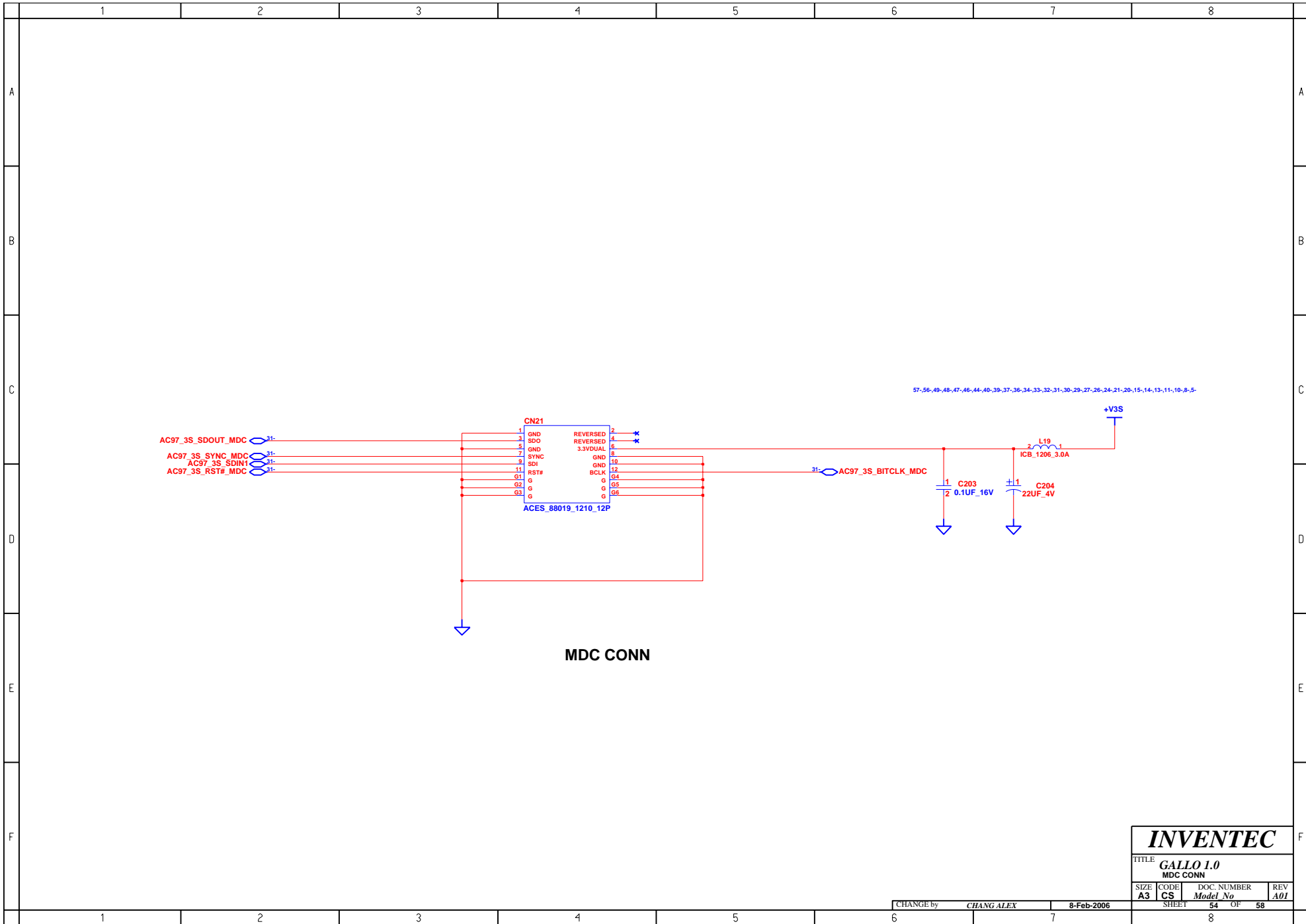
INVENTEC

TITLE GALLO 1.0
SCREW

SIZE	CODE	DOC. NUMBER	REV
A3	CS	Model No	A01

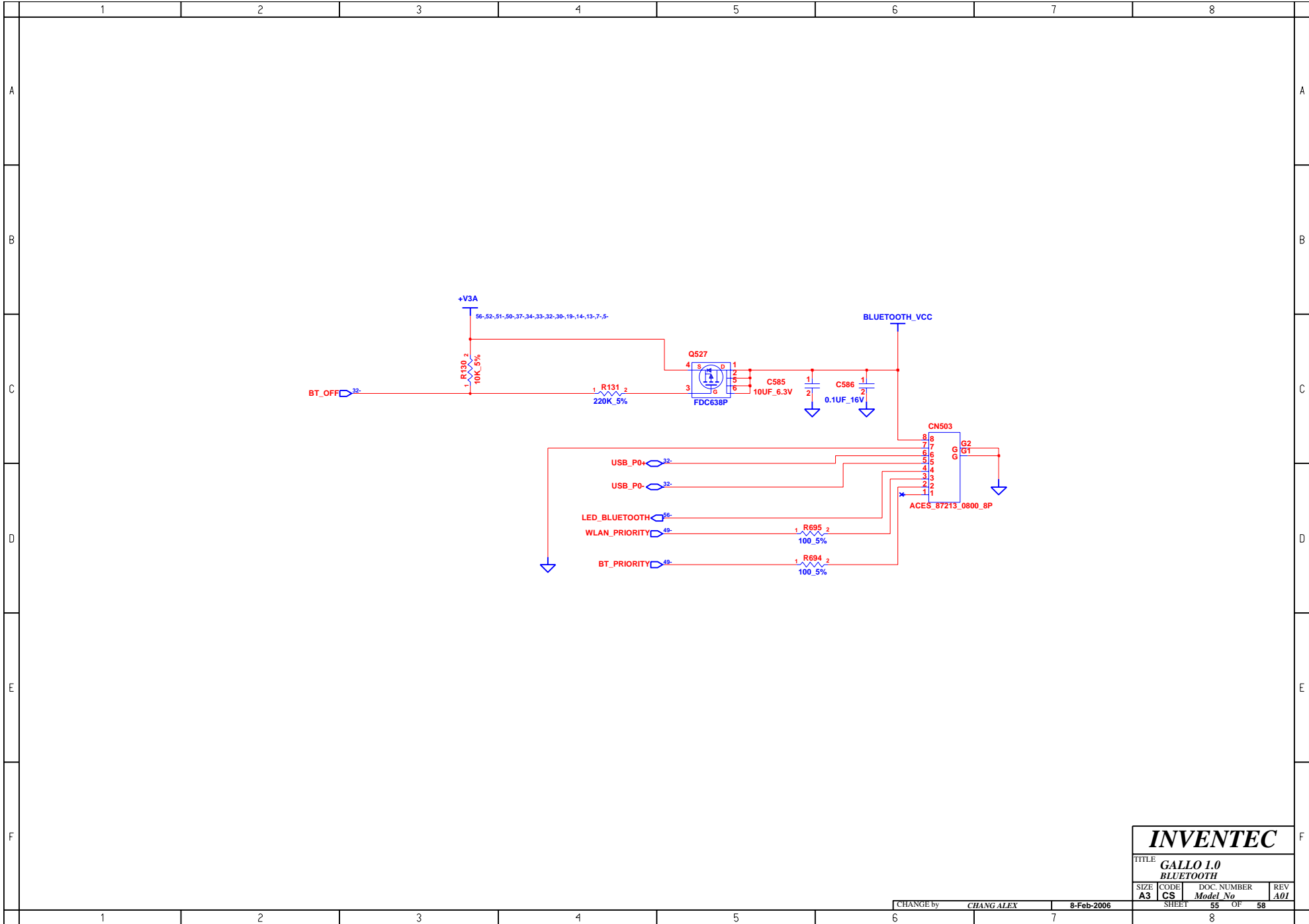
CHANGE by CHANG ALEX 8-Feb-2006

SHEET 53 OF 58



MDC CONN

INVENTEC			
TITLE GALLO 1.0			
MDC CONN			
SIZE	CODE	DOC. NUMBER	REV
A3	CS	Model No	A01
CHANGE by		8-Feb-2006	SHEET 54 OF 58
1	2	3	8



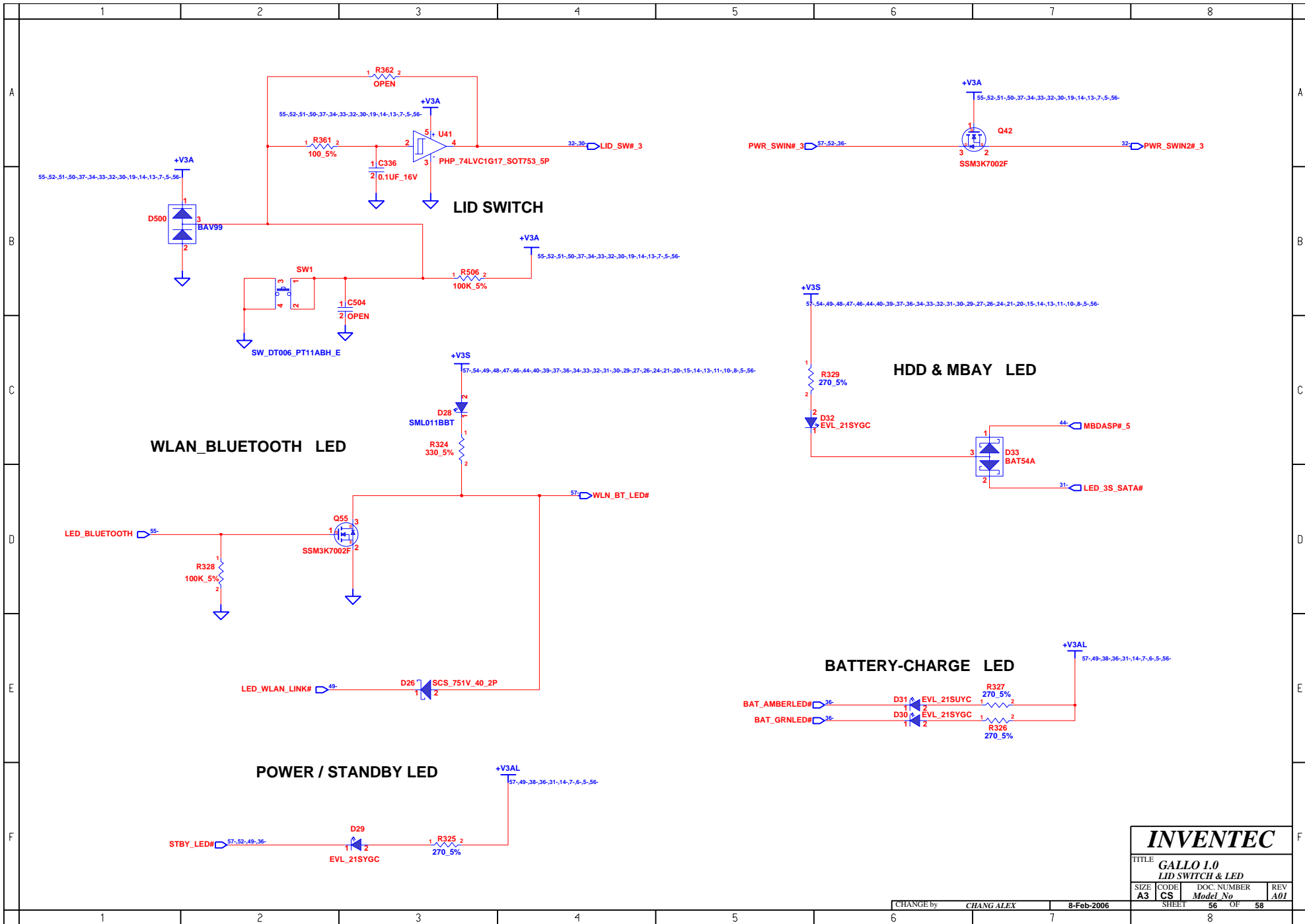
INVENTEC

TITLE **GALLO 1.0
BLUETOOTH**

SIZE	CODE	DOC. NUMBER	REV
A3	CS	Model No	A01

CHANGE by **CHANG ALEX** 8-Feb-2006

SHEET 55 OF 58

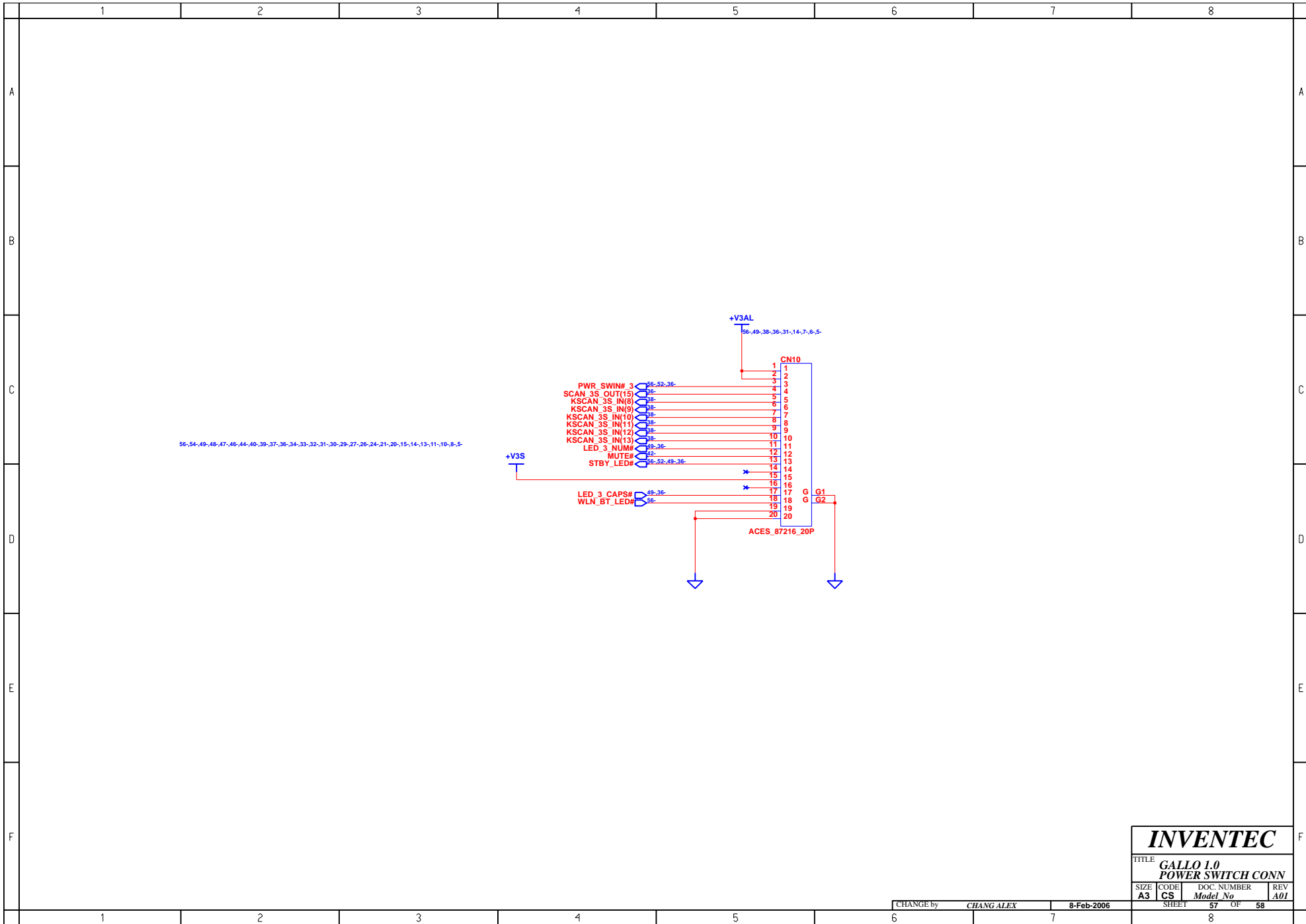


INVENTEC

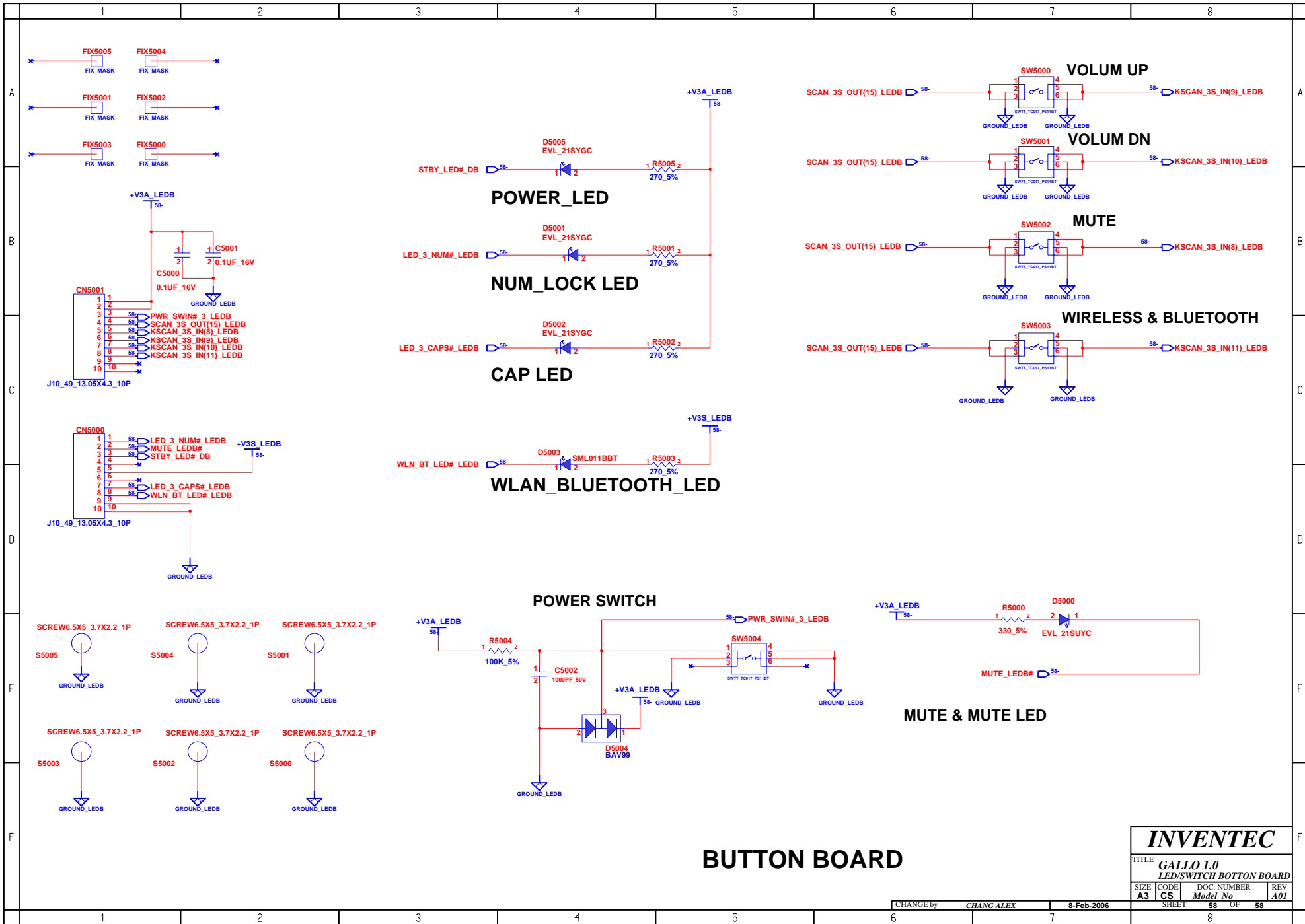
TITLE			
GALLO 1.0			
LID SWITCH & LED			
SIZE	CODE	DOC. NUMBER	REV
A3	CS	Model No	A01

CHANGE by *CHANG ALEX* 8-Feb-2006

SHEET 56 OF 58



INVENTEC			
TITLE GALLO 1.0 POWER SWITCH CONN			
SIZE A3	CODE CS	DOC. NUMBER <i>Model No</i>	REV A01
CHANGE by <i>CHANG ALEX</i>		8-Feb-2006	SHEET 57 OF 58



BUTTON BOARD

INVENTEC

TITLE			
GALLO 1.0			
LED/SWITCH BOTTON BOARD			
SIZE	CODE	DOC. NUMBER	REV
A3	CS	Model No	A01

CHANGE by CHANG ALEX 8-Feb-2006

SHEET 58 OF 58