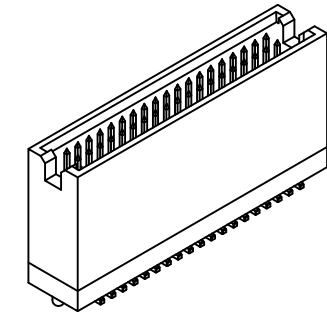
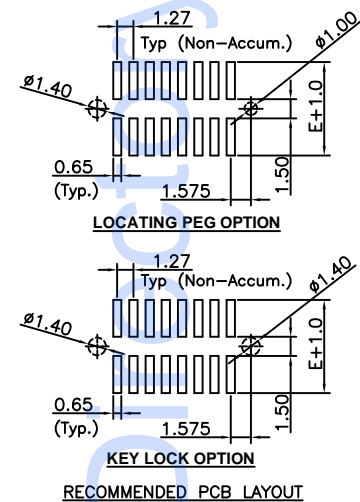
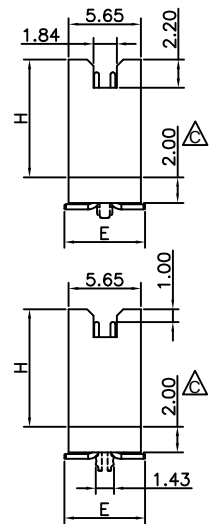


Global Connector Technology Ltd. - BD034: 1.27mm PITCH SHROUDED PIN HEADER, DUAL ROW, SURFACE MOUNT, VERTICAL



| CONTACTS | DIMENSIONS | | | |
|----------|------------|-------|-------|-------|
| | A | B | C | D |
| 10 | 5.08 | 9.55 | 8.23 | 6.95 |
| 12 | 6.35 | 10.82 | 9.50 | 8.22 |
| 14 | 7.62 | 12.09 | 10.77 | 9.49 |
| 16 | 8.89 | 13.36 | 12.04 | 10.76 |
| 18 | 10.16 | 14.63 | 13.31 | 12.03 |
| 20 | 11.43 | 15.90 | 14.58 | 13.30 |
| 22 | 12.70 | 17.17 | 15.85 | 14.57 |
| 24 | 13.97 | 18.44 | 17.12 | 15.84 |
| 26 | 15.24 | 19.71 | 18.39 | 17.11 |
| 28 | 16.51 | 20.98 | 19.66 | 18.38 |
| 30 | 17.78 | 22.25 | 20.93 | 19.65 |
| 32 | 19.05 | 23.52 | 22.20 | 20.92 |
| 34 | 20.32 | 24.79 | 23.47 | 22.19 |
| 36 | 21.59 | 26.06 | 24.74 | 23.46 |
| 38 | 22.86 | 27.33 | 26.01 | 24.73 |
| 40 | 24.13 | 28.60 | 27.28 | 26.00 |
| 42 | 25.40 | 29.87 | 28.55 | 27.27 |
| 44 | 26.67 | 31.14 | 29.82 | 28.54 |
| 46 | 27.94 | 32.41 | 31.09 | 29.81 |
| 48 | 29.21 | 33.68 | 32.36 | 31.08 |
| 50 | 30.48 | 34.95 | 33.63 | 32.35 |
| 52 | 31.75 | 36.22 | 34.90 | 33.62 |
| 54 | 33.02 | 37.49 | 36.17 | 34.89 |
| 56 | 34.29 | 38.76 | 37.44 | 36.16 |
| 58 | 35.56 | 40.03 | 38.71 | 37.43 |
| 60 | 36.83 | 41.30 | 39.98 | 38.70 |
| 62 | 38.10 | 42.57 | 41.25 | 39.97 |
| 64 | 39.37 | 43.84 | 42.52 | 41.24 |
| 66 | 40.64 | 45.11 | 43.79 | 42.51 |
| 68 | 41.91 | 46.38 | 45.06 | 43.78 |
| 70 | 43.18 | 47.65 | 46.33 | 45.05 |
| 72 | 44.45 | 48.92 | 47.60 | 46.32 |
| 74 | 45.72 | 50.19 | 48.87 | 47.59 |
| 76 | 46.99 | 51.46 | 50.14 | 48.86 |
| 78 | 48.26 | 52.73 | 51.41 | 50.13 |
| 80 | 49.53 | 54.00 | 52.68 | 51.40 |

Ordering Grid
BD034 - **XX** - **X** - **XXX** - **X** - **XXXX** - **N** - **X** **REQUEST SAMPLES AND QUOTATION**

No. of Contacts: 10 to 80
 Contact Plating:
 A = Gold Flash All Over
 B = Selective Gold Flash Contact Area/Tin On Tail
 C = Tin All Over
 G = 10µ" Gold Contact Area/Tin On Tail
 I = 30µ" Gold Contact Area/Tin On Tail
Standard = Gold Flash All Over

Packing Options:
D = Tube (Standard)
 E = Tube with Cap

Insulator Material:
N = Nylon 6T (Standard)

Dimension E (1/100mm) (Footprint Width)
Standard - 6.30mm = 0630
 or specify Dimension E
 e.g. 2.50mm = 0250
 Tol +/- 0.2mm

TABLE A

| Order Code | Insulator Height | Order Code | Insulator Height |
|------------|------------------|------------|------------------|
| 070 | 7.00mm | 115 | 11.50mm |
| 074 | 7.40mm | 121 | 12.10mm |
| 076 | 7.60mm | 122 | 12.20mm |
| 082 | 8.20mm | 132 | 13.20mm |
| 083 | 8.30mm | 136 | 13.60mm |
| 084 | 8.40mm | 153 | 15.30mm |
| 087 | 8.70mm | 156 | 15.60mm |
| 090 | 9.00mm | 166 | 16.60mm |
| 092 | 9.20mm | 169 | 16.90mm |
| 095 | 9.50mm | 173 | 17.30mm |
| 102 | 10.20mm | | |

Insulator Height 'H'
Standard - 9.20mm = 092
 Please see Table A for all options

Locating Peg
 0 = No Peg/No key Lock
 1 = With Peg
 2 = With Key Lock

SPECIFICATIONS 规格:
 CURRENT RATING 电流额定值: 1 AMP
 INSULATOR RESISTANCE 绝缘电阻值: 1000 MEGOHMS MIN.
 DIELECTRIC WITHSTANDING 耐电压: AC 300 V
 CONTACT RESISTANCE 接触电阻值: 20mΩ Max.
 OPERATING TEMPERATURE 工作温度: -40°C TO +105°C
 CONTACT MATERIAL 端子物料: COPPER ALLOY
 INSULATOR MATERIAL 绝缘体物料:
 STANDARD 标准物料: POLYAMIDE 聚酰胺, NYLON 6T, UL 94-V0
 SOLDERING PROCESS 可焊性:
 NYLON 6T (STANDARD 标准物料) -
 IR REFLOW 回流焊: 260°C for 10 sec.
 WAVE 波峰焊: 230°C for 5-10 sec.
 MANUAL SOLDER 人工焊接: 350°C for 3-5sec
 MATES WITH 配套之母座 (SUBJECT TO PIN LENGTH 在端子长度适合的条件下):
 BD065

| By | AE | PN | PN | AE |
|----------|-----------------|-----------------|----------------------|------------------------|
| DETAIL | DRAWING RELEASE | TABLE A AMENDED | DIMENSION AMENDMENTS | INSULATOR INFO AMENDED |
| REV DATE | A 03/04/08 | B 04/06/09 | C 06/07/09 | D 27/07/09 |

| | | |
|---|--|-----------|
| Tolerances (Except as noted) | Part Number:- | Date:- |
| Dimensions in mm | BD034 | 03 APR 08 |
| X ± 0.30 X.X ± 0.25 X.XX ± 0.15 X.XXX ± 0.10 | Description:- | |
| X° ± 5° X° ± 3° XX° ± 2° XXX° ± 1° | 1.27mm PITCH SHROUDED PIN HEADER, DUAL ROW, SURFACE MOUNT, VERTICAL | |
| Third Angle Projection | THIS DRAWING IS CONFIDENTIAL AND MUST NOT BE COPIED OR DISCLOSED WITHOUT WRITTEN CONSENT | |



Global Connector Technology
 www.globalconnectortechnology.com

| | | | | | |
|-----------|------------|-------------------|-------------|--------|---------------|
| Scale NTS | Revision D | Material See Note | Drawn by AE | E & OE | Sheet No. 1/1 |
|-----------|------------|-------------------|-------------|--------|---------------|