

60V PNP SILICON PLANAR MEDIUM POWER TRANSISTOR IN SOT89

Features

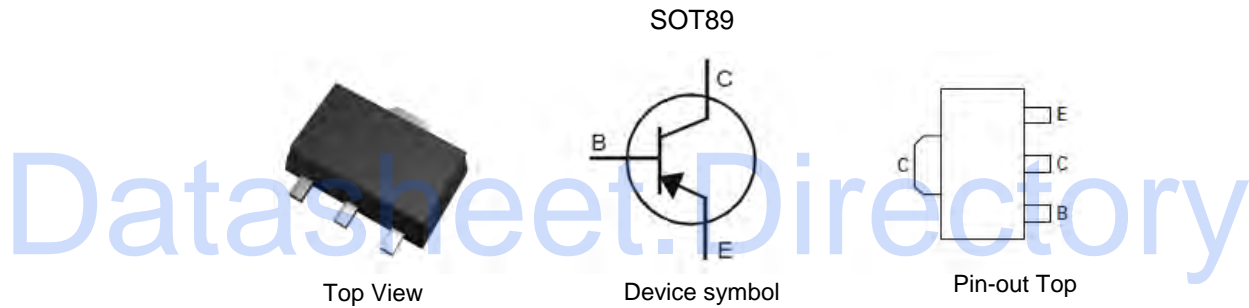
- $BV_{CE0} > -60V$
- High current capability Max Continuous Current $I_C = -4.3A$
- Low saturation voltage $V_{CE(sat)} < -65mV @ I_C = -1A$
- **Lead Free, RoHS Compliant (Note 1)**
- **Halogen and Antimony Free, "Green" Device (Note 2)**
- **Qualified to AEC-Q101 Standards for High Reliability**

Mechanical Data

- Case: SOT89
- Moisture Sensitivity: Level 1 per J-STD-020
- UL Flammability Rating 94V-0
- Terminals: Matte Tin Finish
- Weight: 0.052 grams (Approximate)

Application

- Emergency lighting circuits
- Motor driving (including DC fans)
- Backlight inverters
- Power switches
- MOSFET gate drivers

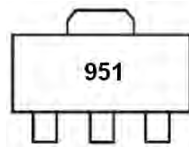


Ordering Information (Note 3 & 4)

Product	Grade	Marking	Reel size (inches)	Tape width (mm)	Quantity per reel
ZXTP2012ZTA	Commercial	951	7	12	1,000
ZXTP2012Z-13R	Commercial	951	7	12	4,000
ZXTP2012ZQTA	Automotive	951	7	12	1,000

- Notes:
1. No purposefully added lead.
 2. Halogen and Antimony Free. Diodes Inc's "Green" Policy can be found on our website at <http://www.diodes.com>
 3. For packaging details, go to our website at <http://www.diodes.com>
 4. Products with Q-suffix are automotive grade

Marking Information



951 = Product Type Marking Code

Maximum Ratings @ $T_A = 25^\circ\text{C}$ unless otherwise specified

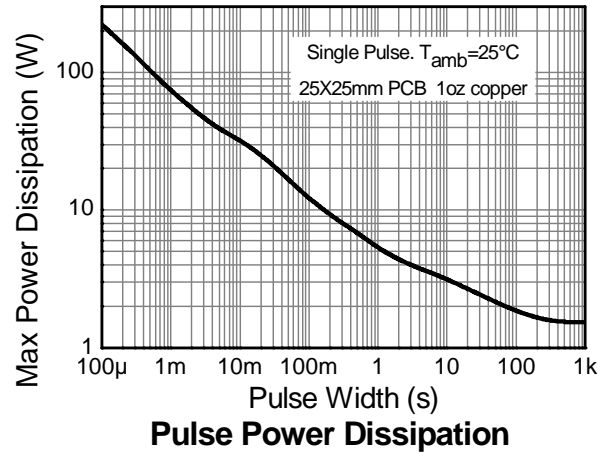
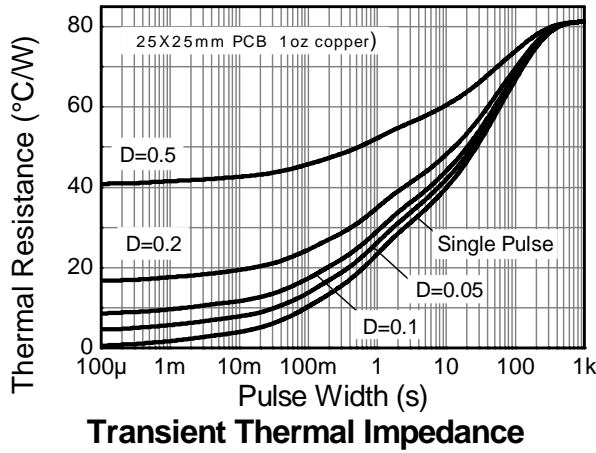
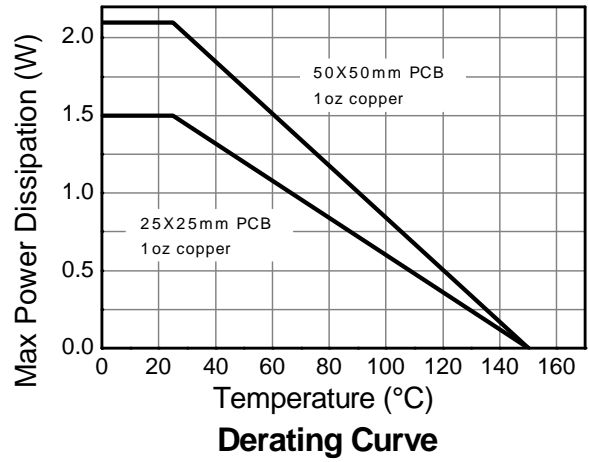
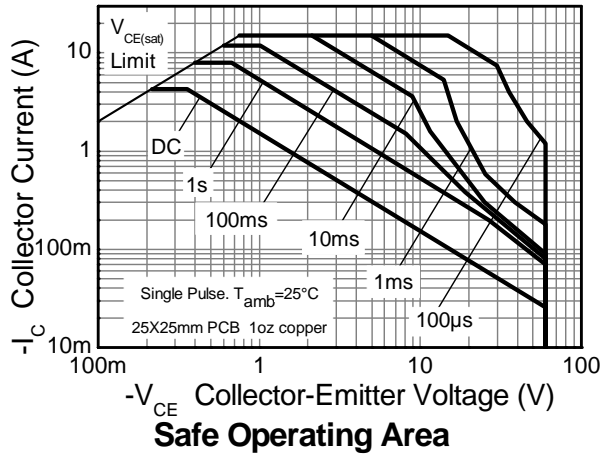
Characteristic	Symbol	Value	Unit
Collector-Base Voltage	V_{CBO}	-100	V
Collector-Emitter Voltage	V_{CEO}	-60	V
Emitter-Base Voltage	V_{EBO}	-7	V
Continuous Collector Current (Note 5)	I_C	-4.3	A
Peak Pulse Current	I_{CM}	-15	A

Thermal Characteristics @ $T_A = 25^\circ\text{C}$ unless otherwise specified

Characteristic	Symbol	Value	Unit
Power Dissipation (Note 5)	P_D	1.5	W
Linear derating factor		12	mW/ $^\circ\text{C}$
Power Dissipation (Note 6)	P_D	2.1	W
Linear derating factor		16.8	mW/ $^\circ\text{C}$
Thermal Resistance, Junction to Ambient (Note 5)	$R_{\theta JA}$	83	$^\circ\text{C}/\text{W}$
Thermal Resistance, Junction to Ambient (Note 6)	$R_{\theta JA}$	60	$^\circ\text{C}/\text{W}$
Thermal Resistance, Junction to Leads (Note 7)	$R_{\theta JL}$	3.23	$^\circ\text{C}/\text{W}$
Operating and Storage Temperature Range	T_J, T_{STG}	-55 to +150	$^\circ\text{C}$

- Notes:
5. For a device surface mounted on 25mm x 25mm x 1.6mm FR4 PCB with high coverage of single sided 1oz copper, in still air conditions.
 6. For a device surface mounted on 50mm x 50mm x 1.6mm FR4 PCB with high coverage of single sided 1oz copper, in still air conditions.
 7. Thermal resistance from junction to solder-point (on the exposed collector pad).

Thermal Characteristics

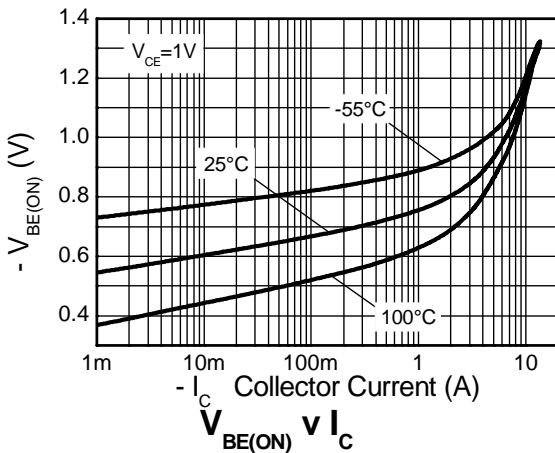
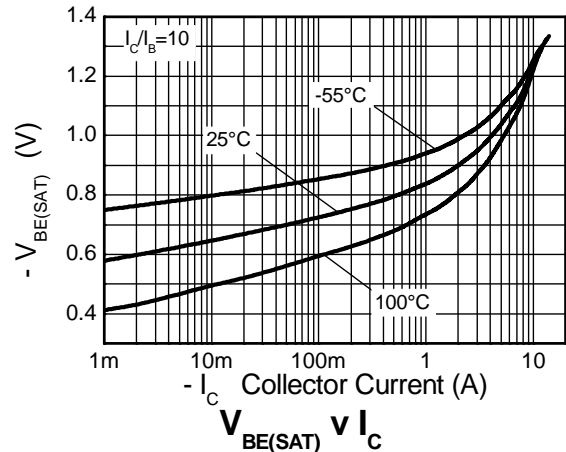
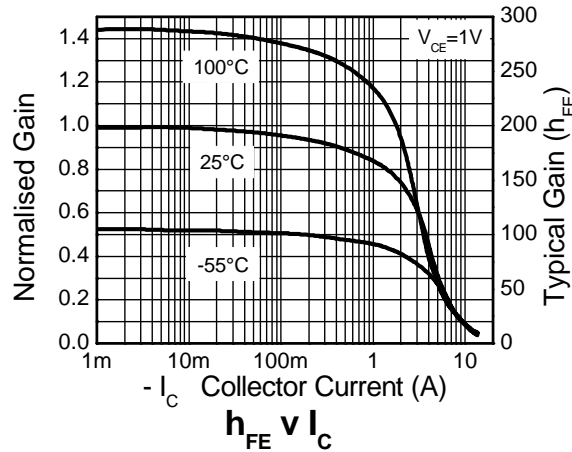
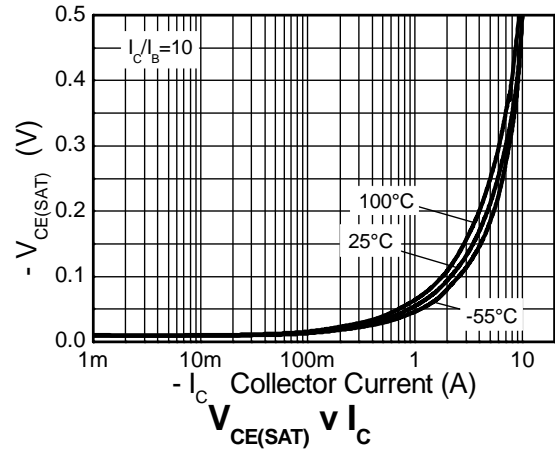
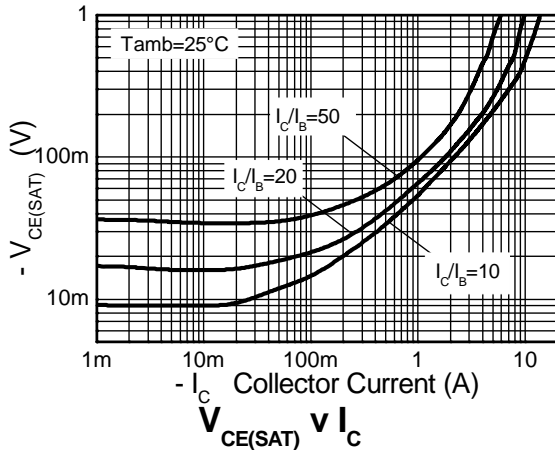


Electrical Characteristics @ $T_A = 25^\circ\text{C}$ unless otherwise specified

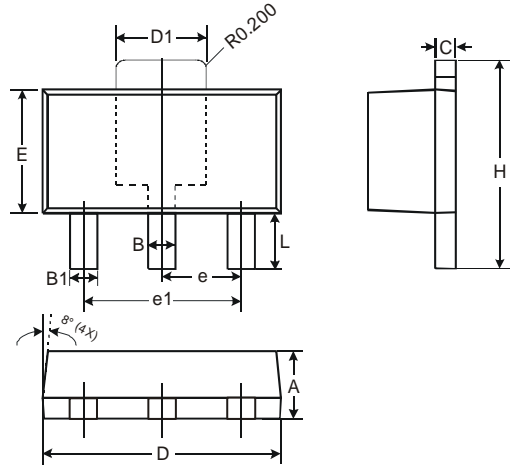
Characteristic	Symbol	Min	Typ.	Max	Unit	Test Condition
Collector-Base Breakdown Voltage	BV_{CBO}	-100	-120	-	V	$I_C = -100\mu\text{A}$
Collector-Emitter Breakdown Voltage (Notes 8)	BV_{CER}	-100	-120	-	V	$I_C = -1\mu\text{A}$, $R_B \leq 1\text{k}\Omega$
Collector-Emitter Breakdown Voltage (Notes 8)	BV_{CEO}	-60	-80	-	V	$I_C = -10\text{mA}$
Emitter-Base Breakdown Voltage	BV_{EBO}	-7	-8.1	-	V	$I_E = -100\mu\text{A}$
Collector Cutoff Current	I_{CBO}	-	< -1	-20 -500	nA nA	$V_{CB} = -80\text{V}$ $V_{CB} = -80\text{V}$, $T_A = 100^\circ\text{C}$
Collector Cutoff Current	I_{CER} $R \leq 1\text{k}\Omega$	-	< -1	-20 -500	nA nA	$V_{CB} = -80\text{V}$ $V_{CB} = -80\text{V}$, $T_A = 100^\circ\text{C}$
Emitter Cutoff Current	I_{EBO}	-	< -1	-10	nA	$V_{EB} = -6\text{V}$
DC current transfer Static ratio (Notes 8)	h_{FE}	100 100 45 10	250 200 90 25	300		$I_C = -10\text{mA}$, $V_{CE} = -1\text{V}$ $I_C = -2\text{A}$, $V_{CE} = -1\text{V}$ $I_C = -5\text{A}$, $V_{CE} = -1\text{V}$ $I_C = -10\text{A}$, $V_{CE} = -1\text{V}$
Collector-Emitter Saturation Voltage (Notes 8)	$V_{CE(sat)}$	-	-14 -50 -75 -160	-20 -65 -110 -215	mV	$I_C = -100\text{mA}$, $I_B = -10\text{mA}$ $I_C = -1\text{A}$, $I_B = -100\text{mA}$ $I_C = -2\text{A}$, $I_B = -200\text{mA}$ $I_C = -5\text{A}$, $I_B = -500\text{mA}$
Base-Emitter Saturation Voltage (Notes 8)	$V_{BE(sat)}$	-	-950	-1050	mV	$I_C = -5\text{A}$, $V_{CE} = -1\text{V}$
Base-Emitter Turn-on Voltage (Notes 8)	$V_{BE(on)}$	-	-840	-950	mV	$I_C = -5\text{A}$, $V_{CE} = -1\text{V}$
Transitional Frequency (Notes 8)	f_T	-	120	-	MHz	$I_C = -100\text{mA}$, $V_{CE} = -10\text{V}$, $f = 50\text{MHz}$
Output capacitance	C_{obo}	-	48	-	pF	$V_{CB} = -10\text{V}$, $f = 1\text{MHz}$,
Switching Time	t_{ON}	-	39	-	ns	$V_{CC} = -10\text{V}$, $I_C = -1\text{A}$, $I_{B1} = I_{B2} = -100\text{mA}$
	t_{OFF}	-	370	-		

Notes: 8. Measured under pulsed conditions. Pulse width $\leq 300\mu\text{s}$. Duty cycle $\leq 2\%$.

Typical Electrical Characteristics

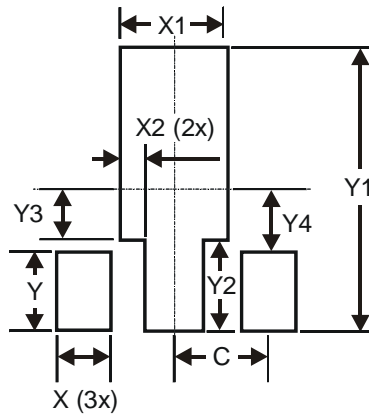


Package Outline Dimensions



SOT89		
Dim	Min	Max
A	1.40	1.60
B	0.44	0.62
B1	0.35	0.54
C	0.35	0.43
D	4.40	4.60
D1	1.52	1.83
E	2.29	2.60
e	1.50 Typ	
e1	3.00 Typ	
H	3.94	4.25
L	0.89	1.20
All Dimensions in mm		

Suggested Pad Layout



Dimensions	Value (in mm)
X	0.900
X1	1.733
X2	0.416
Y	1.300
Y1	4.600
Y2	1.475
Y3	0.950
Y4	1.125
C	1.500

IMPORTANT NOTICE

DIODES INCORPORATED MAKES NO WARRANTY OF ANY KIND, EXPRESS OR IMPLIED, WITH REGARDS TO THIS DOCUMENT, INCLUDING, BUT NOT LIMITED TO, THE IMPLIED WARRANTIES OF MERCHANTABILITY AND FITNESS FOR A PARTICULAR PURPOSE (AND THEIR EQUIVALENTS UNDER THE LAWS OF ANY JURISDICTION).

Diodes Incorporated and its subsidiaries reserve the right to make modifications, enhancements, improvements, corrections or other changes without further notice to this document and any product described herein. Diodes Incorporated does not assume any liability arising out of the application or use of this document or any product described herein; neither does Diodes Incorporated convey any license under its patent or trademark rights, nor the rights of others. Any Customer or user of this document or products described herein in such applications shall assume all risks of such use and will agree to hold Diodes Incorporated and all the companies whose products are represented on Diodes Incorporated website, harmless against all damages.

Diodes Incorporated does not warrant or accept any liability whatsoever in respect of any products purchased through unauthorized sales channel. Should Customers purchase or use Diodes Incorporated products for any unintended or unauthorized application, Customers shall indemnify and hold Diodes Incorporated and its representatives harmless against all claims, damages, expenses, and attorney fees arising out of, directly or indirectly, any claim of personal injury or death associated with such unintended or unauthorized application.

Products described herein may be covered by one or more United States, international or foreign patents pending. Product names and markings noted herein may also be covered by one or more United States, international or foreign trademarks.

LIFE SUPPORT

Diodes Incorporated products are specifically not authorized for use as critical components in life support devices or systems without the express written approval of the Chief Executive Officer of Diodes Incorporated. As used herein:

A. Life support devices or systems are devices or systems which:

1. are intended to implant into the body, or
2. support or sustain life and whose failure to perform when properly used in accordance with instructions for use provided in the labeling can be reasonably expected to result in significant injury to the user.

B. A critical component is any component in a life support device or system whose failure to perform can be reasonably expected to cause the failure of the life support device or to affect its safety or effectiveness.

Customers represent that they have all necessary expertise in the safety and regulatory ramifications of their life support devices or systems, and acknowledge and agree that they are solely responsible for all legal, regulatory and safety-related requirements concerning their products and any use of Diodes Incorporated products in such safety-critical, life support devices or systems, notwithstanding any devices- or systems-related information or support that may be provided by Diodes Incorporated. Further, Customers must fully indemnify Diodes Incorporated and its representatives against any damages arising out of the use of Diodes Incorporated products in such safety-critical, life support devices or systems.

Copyright © 2011, Diodes Incorporated

www.diodes.com