

Signetics

Integrated Circuits – Operational

LM107 Series General Purpose Operational Amplifier

INTRODUCTION

The LM107/207/307 is a general purpose internally compensated operational amplifier. Advanced processing techniques provide input currents which are an order of magnitude lower than the $\mu A709$. Standard pin out allows plug in replacement for the $\mu A709$, LM101, LM101A, and the $\mu A741$.

FEATURES

- 3mV max offset voltage over temp
- 100nA max input current over temp
- 20nA max input offset current over temp
- Offsets guaranteed over common mode range
- Input/output short circuit protected
- Mil std 883A,B,C available

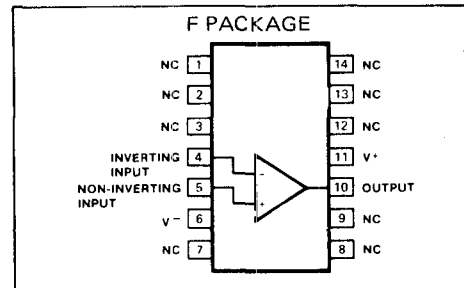
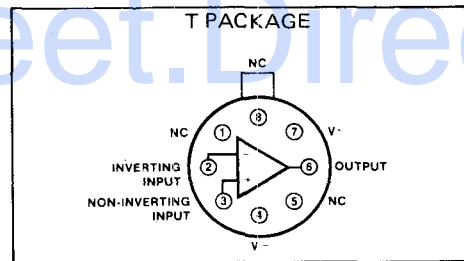
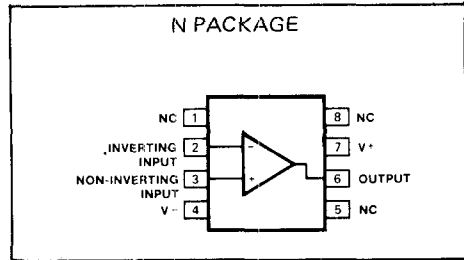
MAXIMUM RATINGS

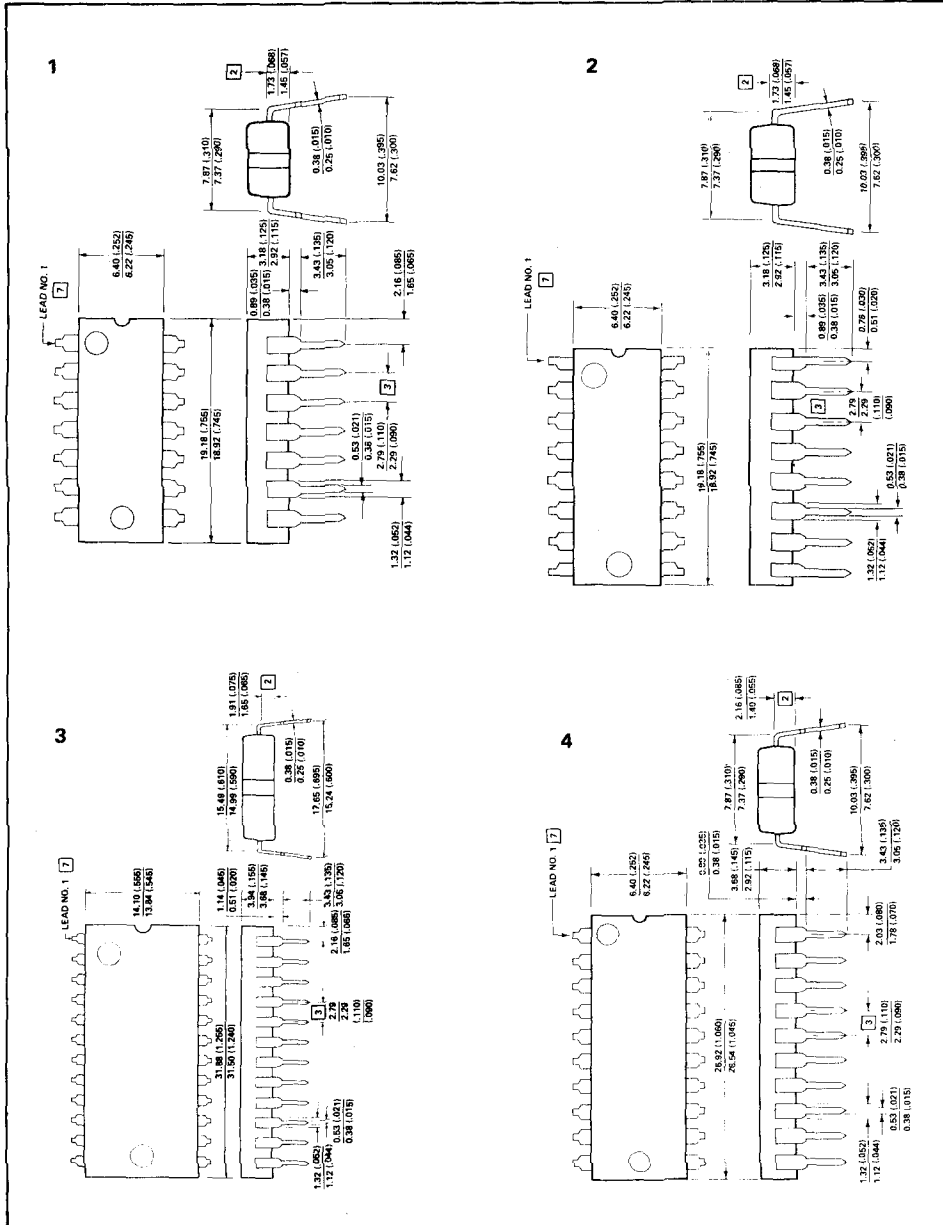
PARAMETER	RATING	UNIT
Supply voltage		
LM107	± 22	V
LM307	± 18	V
Power dissipation	500	mW
Differential input voltage	± 30	V
Input voltage	± 15	V
Output short circuit duration	Indefinite	
Operating temperature range		
LM107	-55 to +125	$^{\circ}$ C
LM307	0 to +70	$^{\circ}$ C
Storage temperature range	-65 to +150	$^{\circ}$ C
Lead temperature (soldering, 60sec)	300	$^{\circ}$ C

REFERENCE TABLE

TYPE NO.	STOCK NO.	OUTLINE DRWG. NO.
LM107F	55897R	1
LM107T	55898G	7
LM307N	55899E	8
LM307N-14	55900G	1
LM307T	55901E	7

CONNECTION DIAGRAM



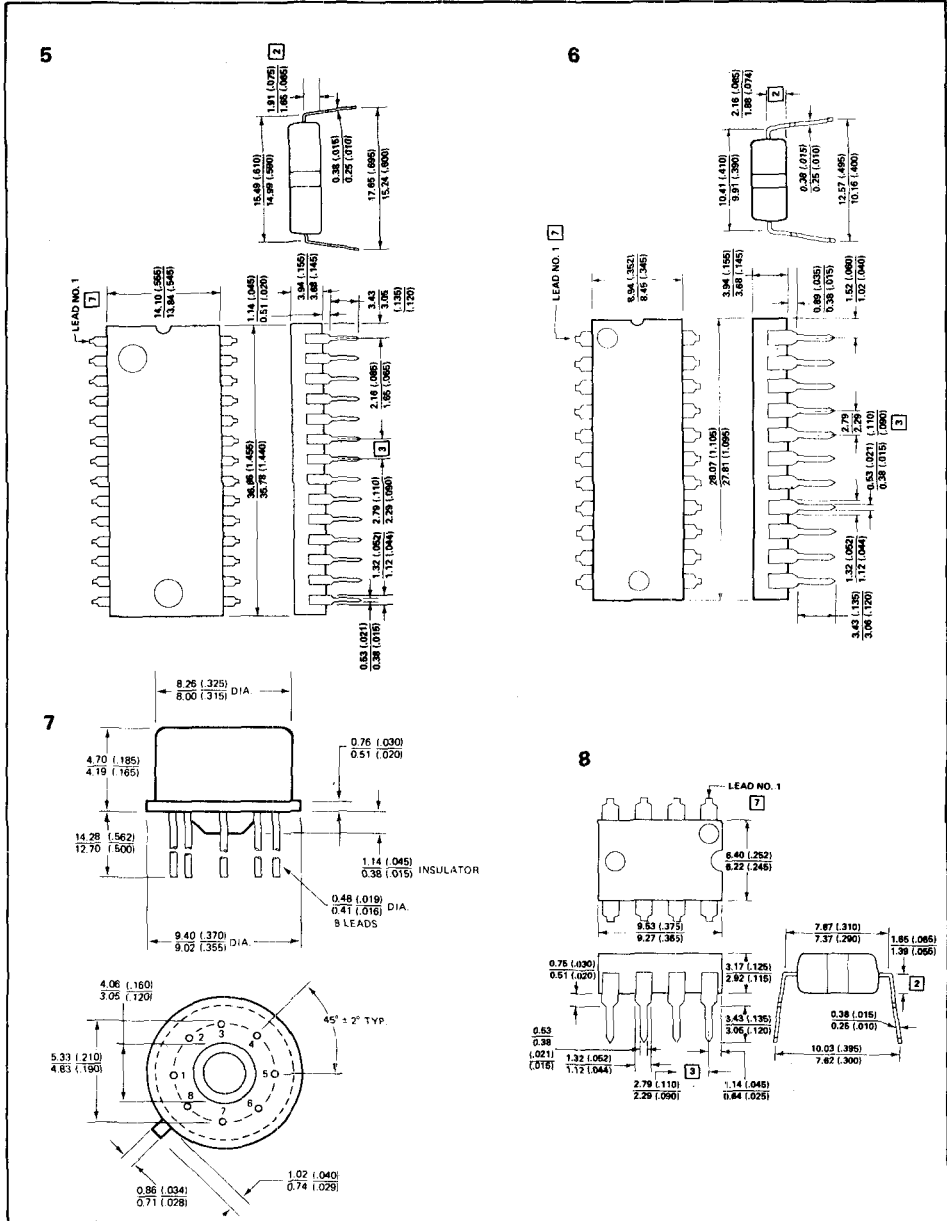


PLEASE QUOTE STOCK NO.
AND MANUFACTURERS PART NO. WHEN ORDERING



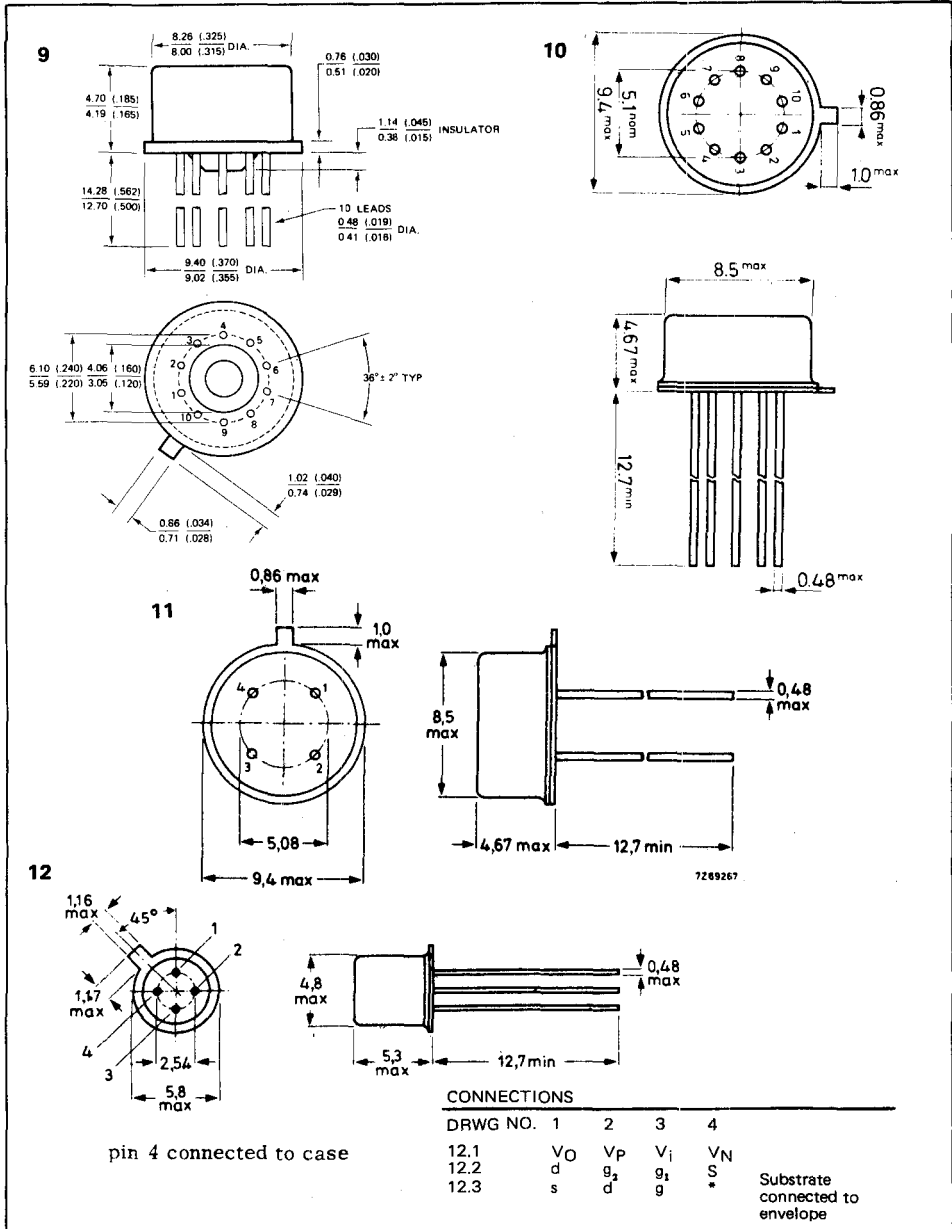
Signetics

Outline Drawings



TTT GEMINI

FOR CURRENT PRICES PHONE
HARLOW (0279) 29644

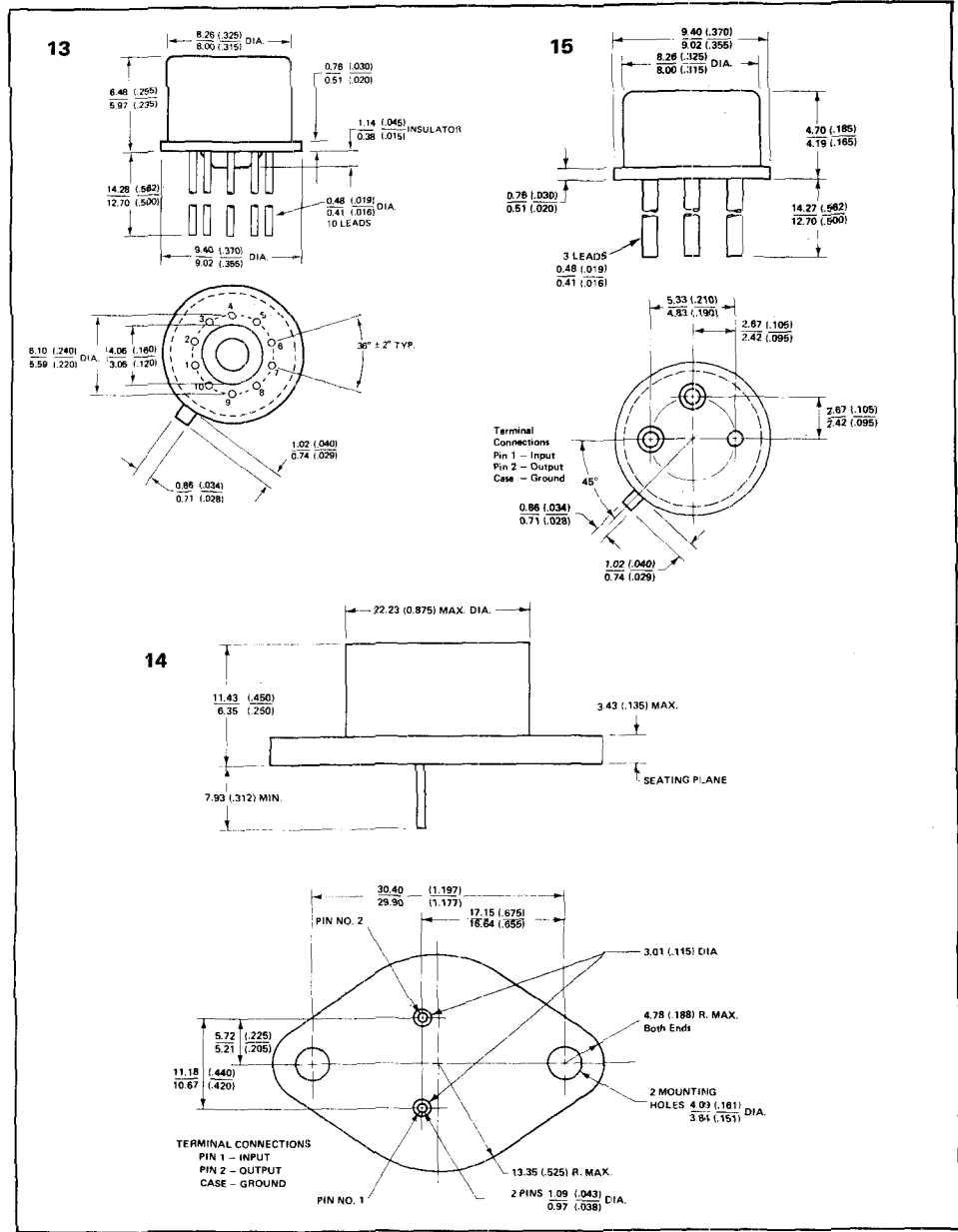


PLEASE QUOTE STOCK NO.
AND MANUFACTURERS PART NO. WHEN ORDERING

ITT GEMINI

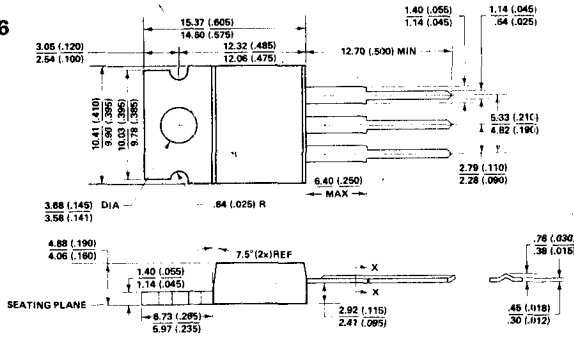
Signetics

Outline Drawings

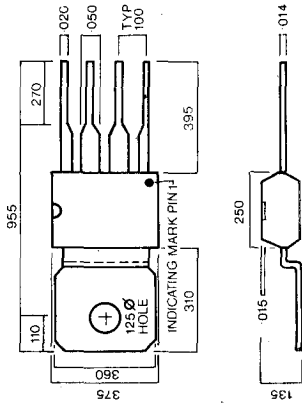


FOR CURRENT PRICES PHONE HARLOW (0279) 29644

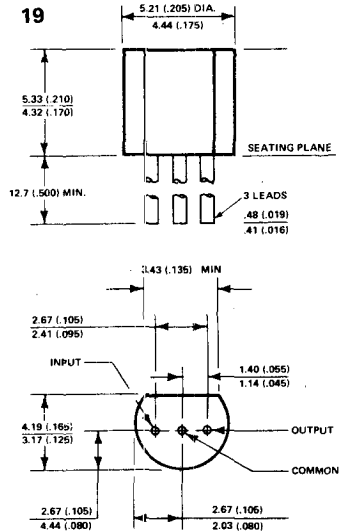
16



17



19



PLEASE QUOTE STOCK NO.
AND MANUFACTURER'S PART NO. WHEN ORDERING

ITT GEMINI

