

BZX84C5V1

5% TOLERANCE

Absolute Maximum Ratings (note 1) TA = 25°C unless otherwise noted

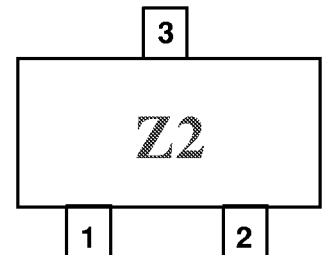
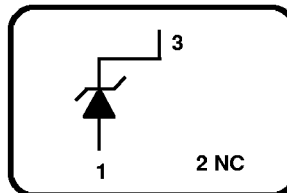
Parameter	Value	Units
Storage Temperature	-55 to +150	°C
Maximum Junction Temperature	+150	°C
Total Power Dissipation at 25°C	350	mW
Derate above 25°C	1.8	mW/°C
Thermal Resistance - Junction to Ambient	357	°C/W
Repetitive Peak Forward Current (I _{FRM})	250	mA
Repetitive Peak Working Current (I _{ZRM})	250	mA
Dvz/Dt @ 5.0 mA	Min -2.7	mV/K
	Max 1.2	mV/K
Nominal Zener Voltage (V _Z) at 5.0 mA	5.1	V

Note 1: These ratings are limiting values above which the serviceability of any semiconductor device may be impaired

CONNECTION DIAGRAM

MECHANICAL CHARACTERISTICS

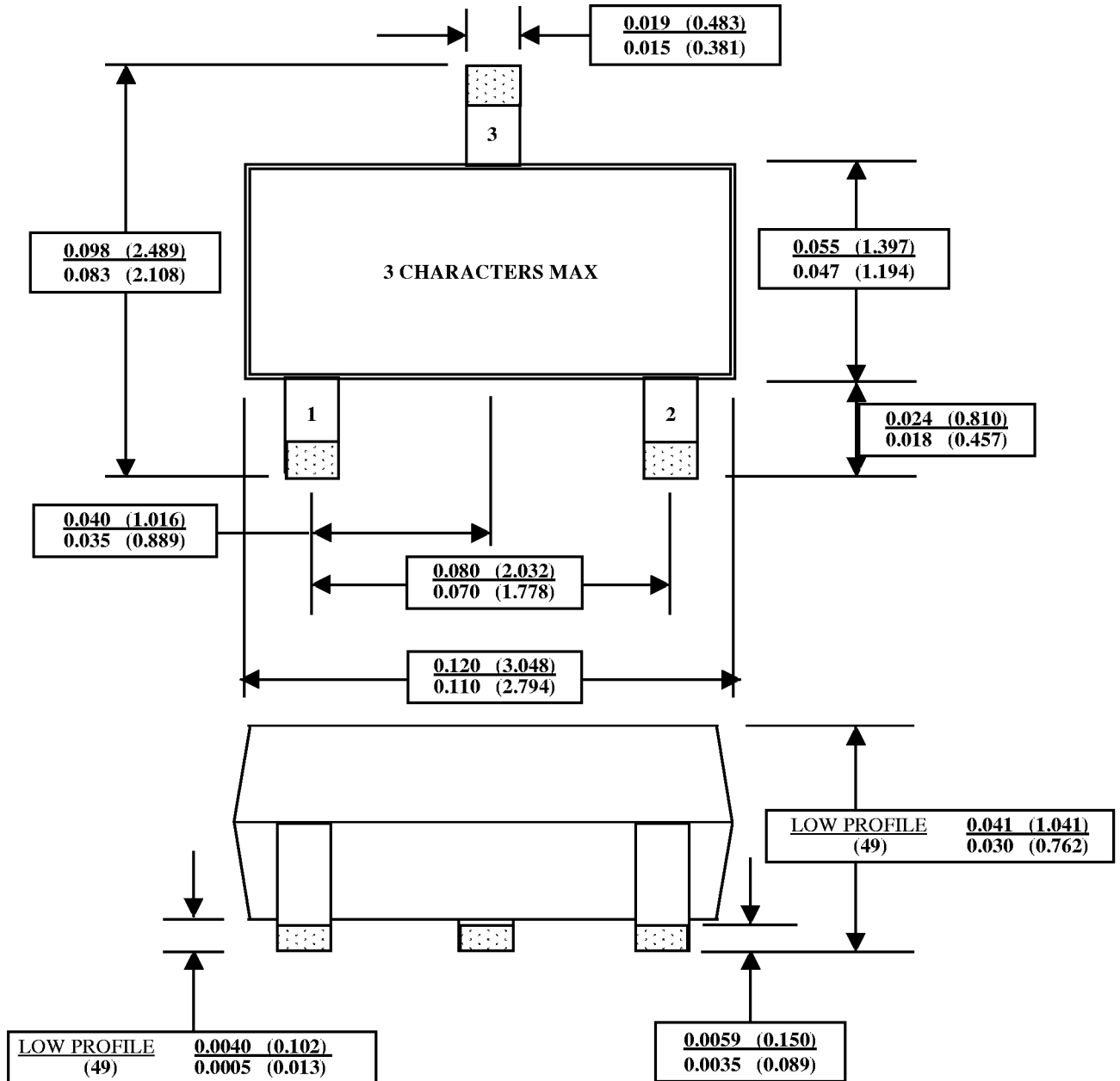
Case: JEDEC SOT-23AB (Low Profile)
(Plastic 3 Leaded Surface Mount Device)
Lead Finish: Solder Plate 85/15 (Sn/Pb) 200 um Min
Polarity: Cathode = Pin 1. When operated in zener mode, cathode will be positive with respect to anode.



Electrical Characteristics TA = 25°C unless otherwise noted

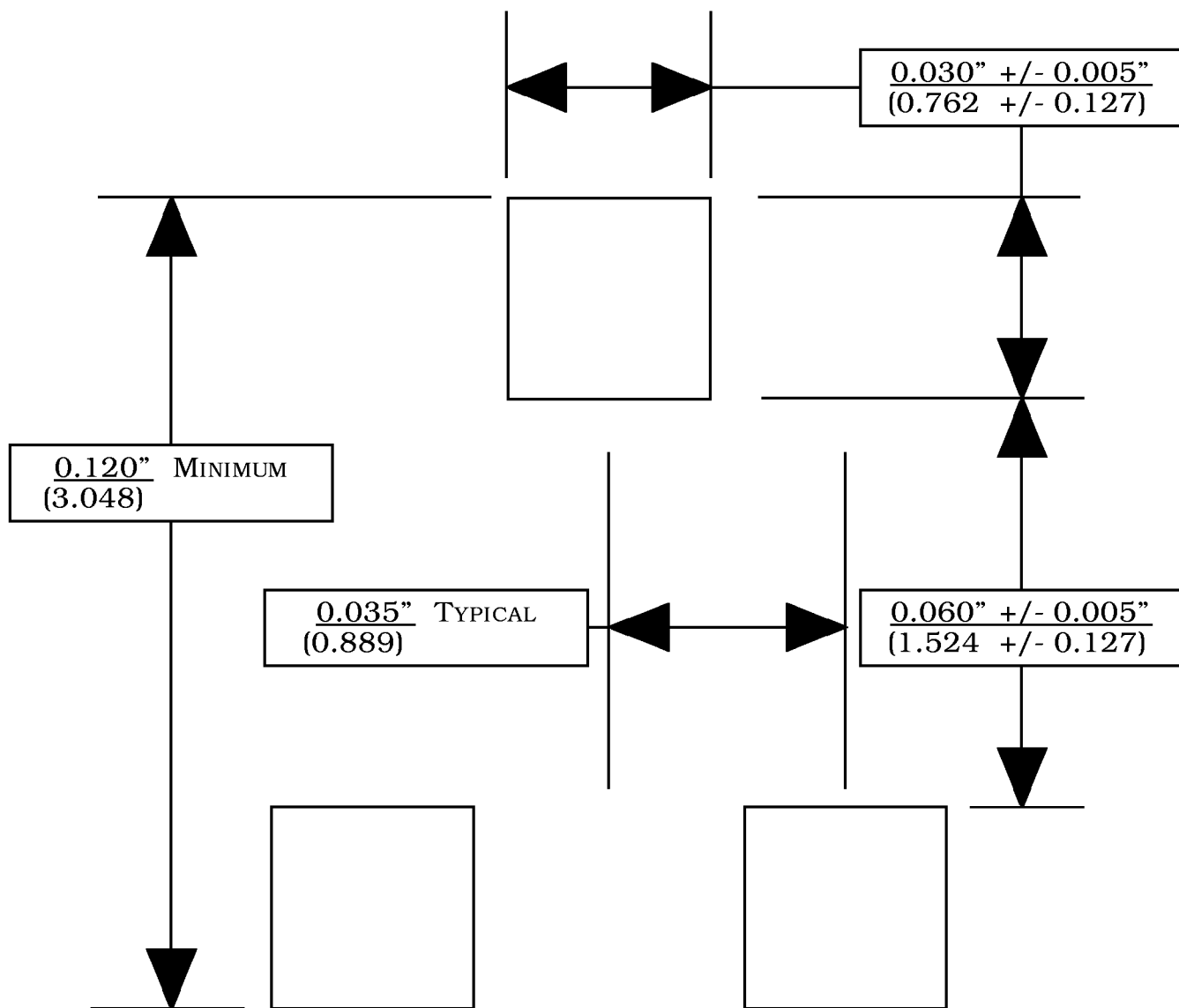
SYM	CHARACTERISTICS	MIN	MAX	UNITS	TEST CONDITIONS
V _Z	Zener Voltage	4.20	5.30	V	I _{ZT} = 1.0 mA Pulse 26 mS
		4.80	5.40	V	I _{ZT} = 5.0 mA Pulse 26 mS
		5.00	5.90	V	I _{ZT} = 20.0 mA D.C
Z _Z	Zener Impedance		480	Ohms	I _{ZT} = 1.0 mA
			60	Ohms	I _{ZT} = 5.0 mA
			15	Ohms	I _{ZT} = 20.0 mA
I _R	Reverse Leakage		2.0	uA	V _R = 2.0 V
V _F	Forward Voltage		900	mV	I _F = 10 mA
C _T	Capacitance		300	pF	V _R = 0.0 V

The pin identification shown below is for Diode and Zener devices only



SOT-23
350 MILLIWATT ZENER

Diode vs Bipolar Pinout		
Diode	=	Bipolar
Pin 1	=	Pin 2
Pin 2	=	Pin 3
Pin 3	=	Pin 1



**RECOMMENDED SOLDER PADS
FOR
SOT-23**