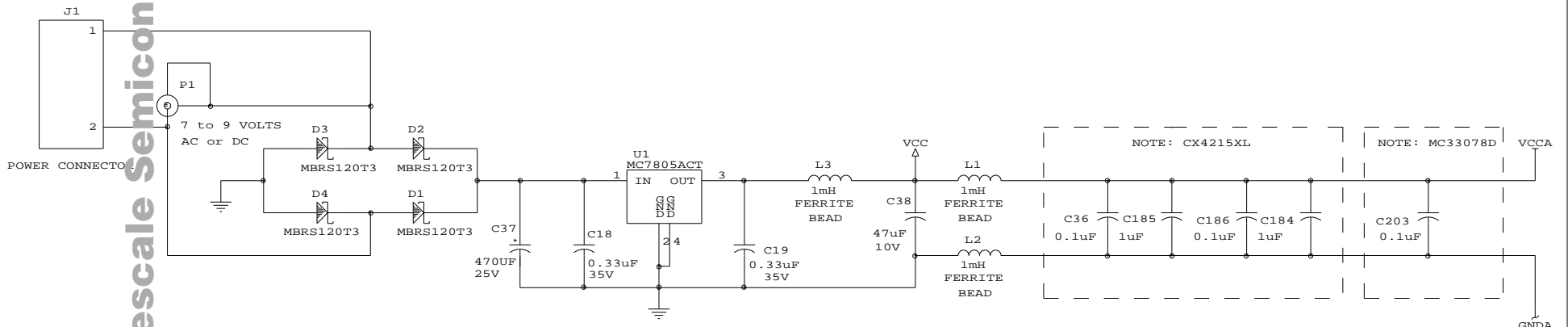
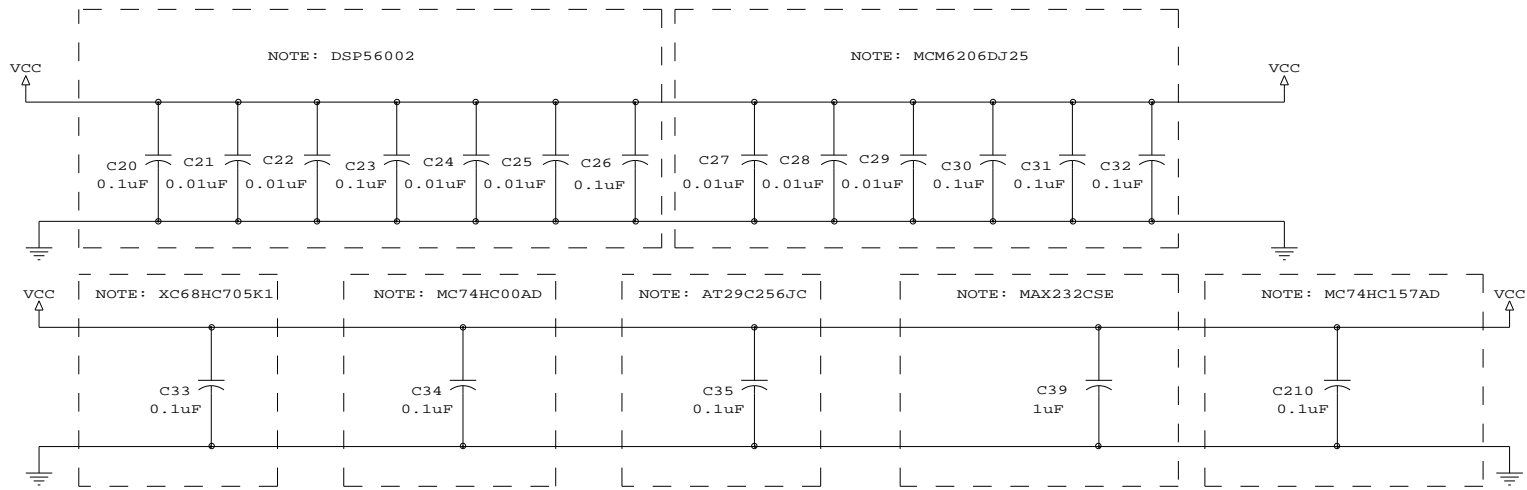


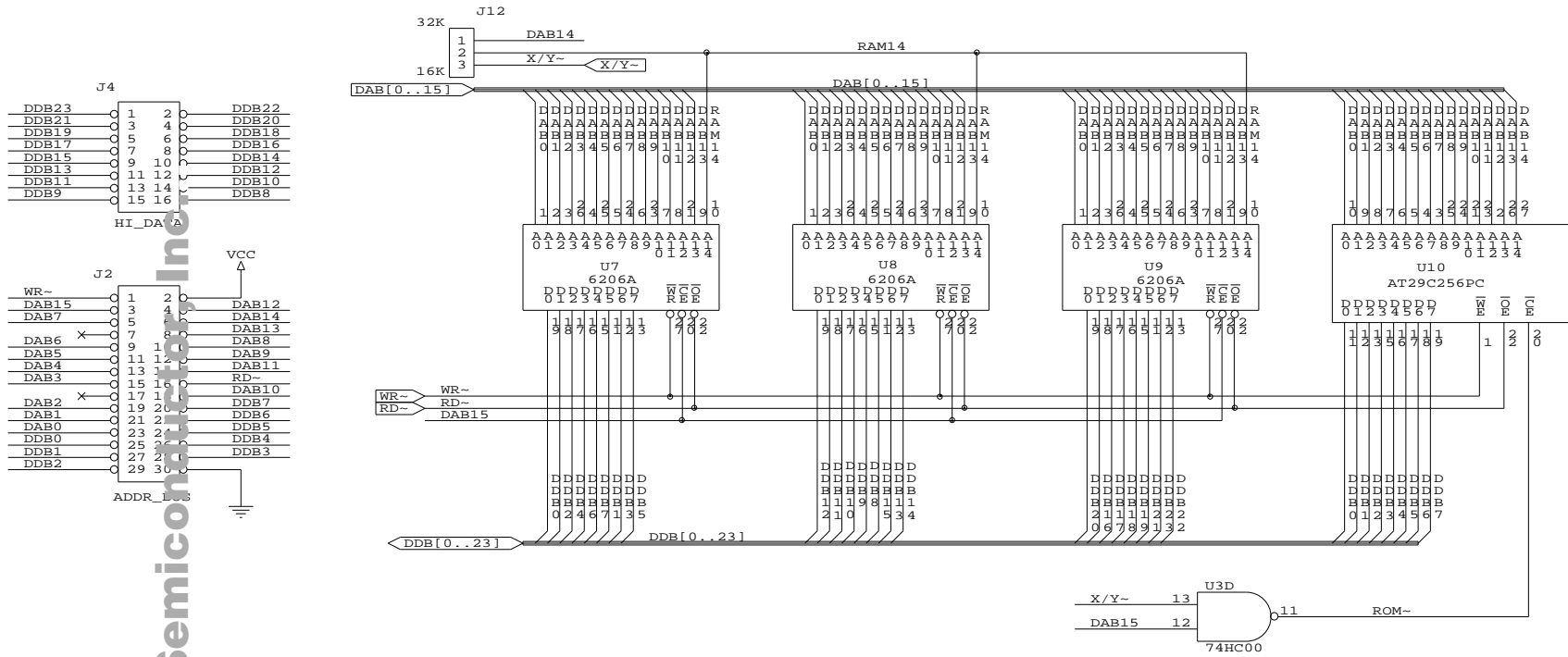
NOTE: ON ALL CONNECTORS (EXCEPT J12), Jx DESIGNATOR IS PLACED NEXT TO PIN 1.

MOTOROLA DSP APPLICATIONS 6501 Wm. Cannon Dr. West Austin, Texas 78735		
Title		
DSP56002 EVM BOARD - MAIN		
Size	Document Number	REV
B	56K2EVM	2.2
Date:	December 12, 1996	Sheet 1 of 6

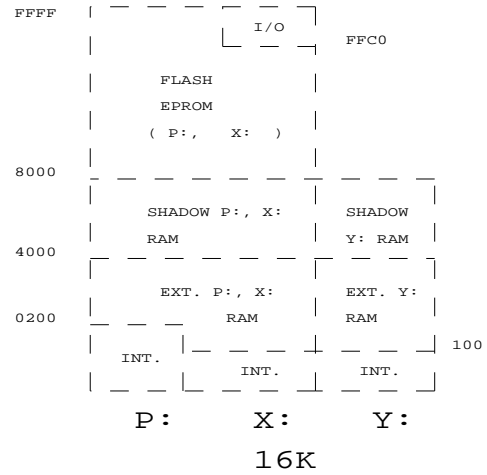
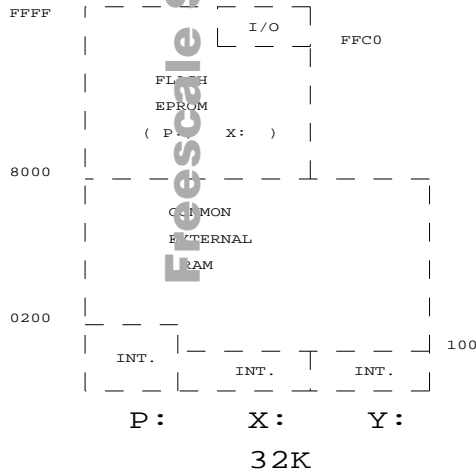


NOTE: C18,C19 ARE TANTALUM OR MYLAR CHIPCAPS
 P1 IS 2.1mm Power Jack

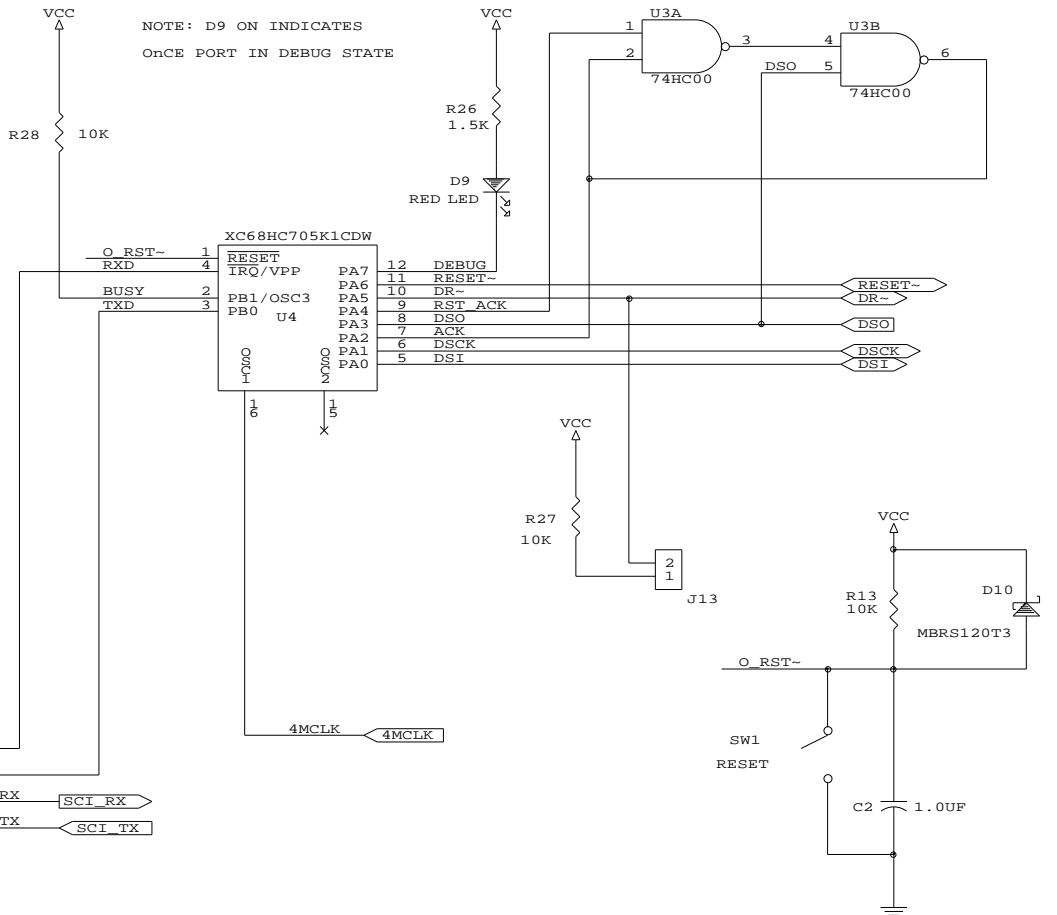
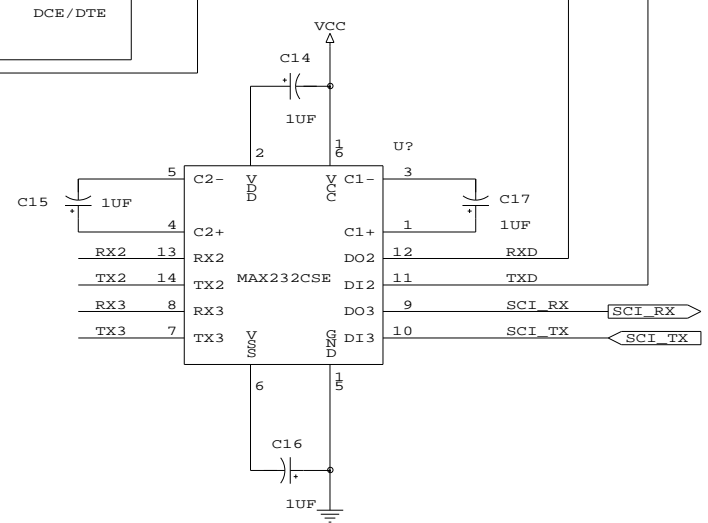
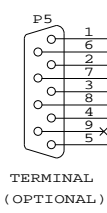
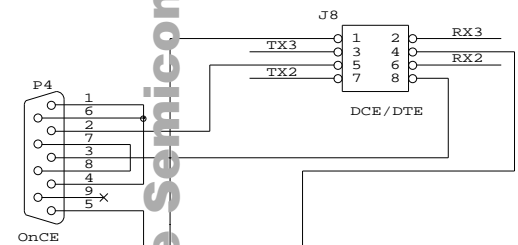
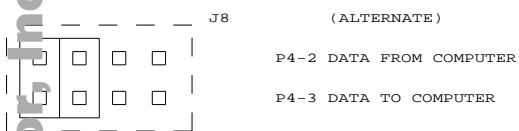
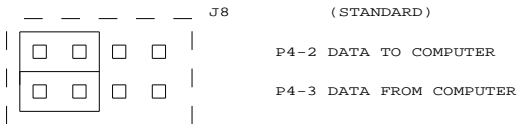
MOTOROLA DSP APPLICATIONS 6501 Wm. Cannon Dr. West Austin, Texas 78735		
Title		
DSP56002 EVM - POWER/BYPASS CAPACITORS		
Size	Document Number	REV
B	56K2EVM	2.2
Date:	December 12, 1996	Sheet 2 of 6



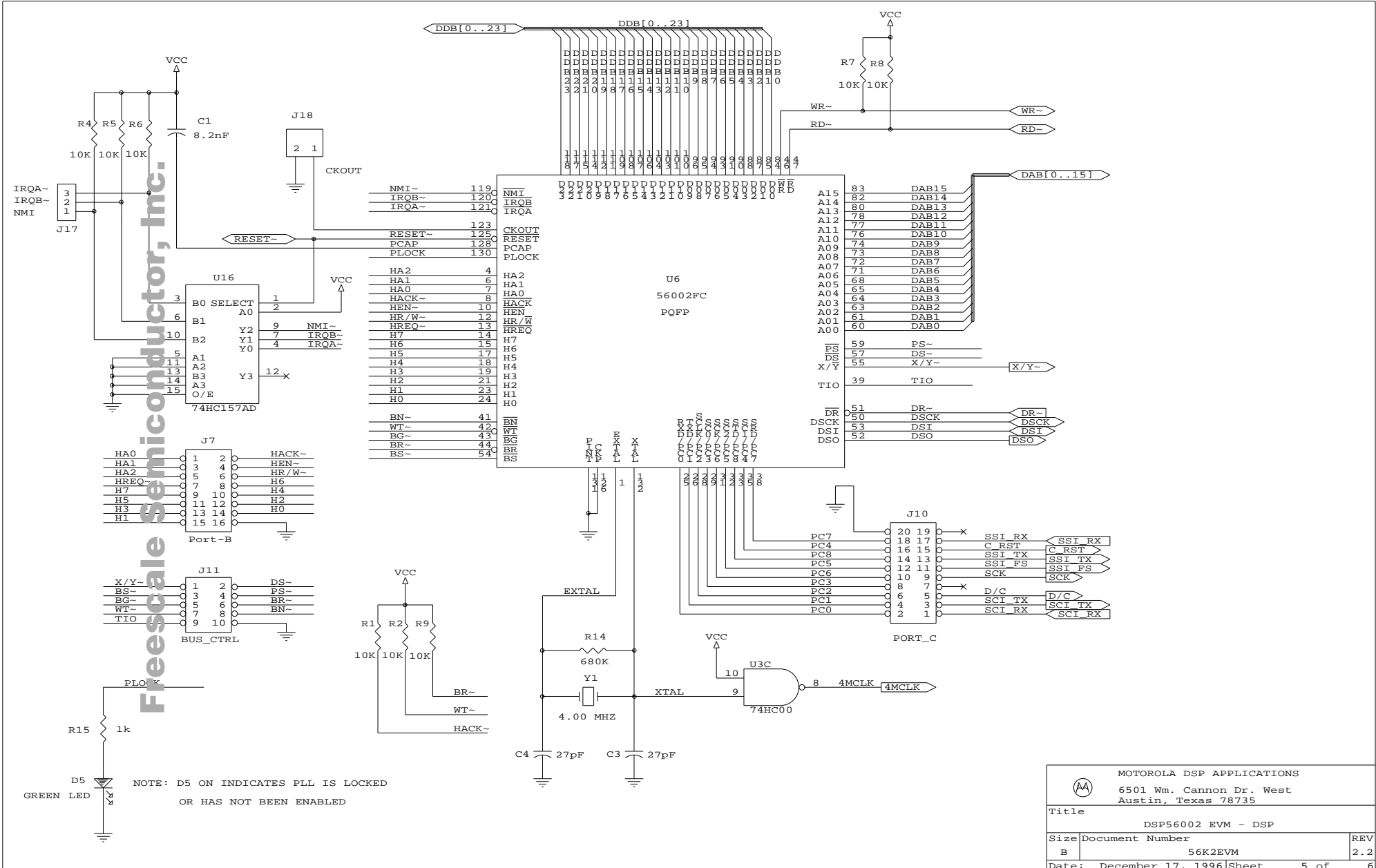
NOTE:
U10 IS A USER
INSTALLED OPTION



MOTOROLA DSP APPLICATIONS		
6501 Wm. Cannon Dr. West Austin, Texas 78735		
Title DSP56002 EVM - MEMORY		
Size	Document Number	REV
B	56K2EVM	2.2
Date:	December 12, 1996	Sheet 3 of 6

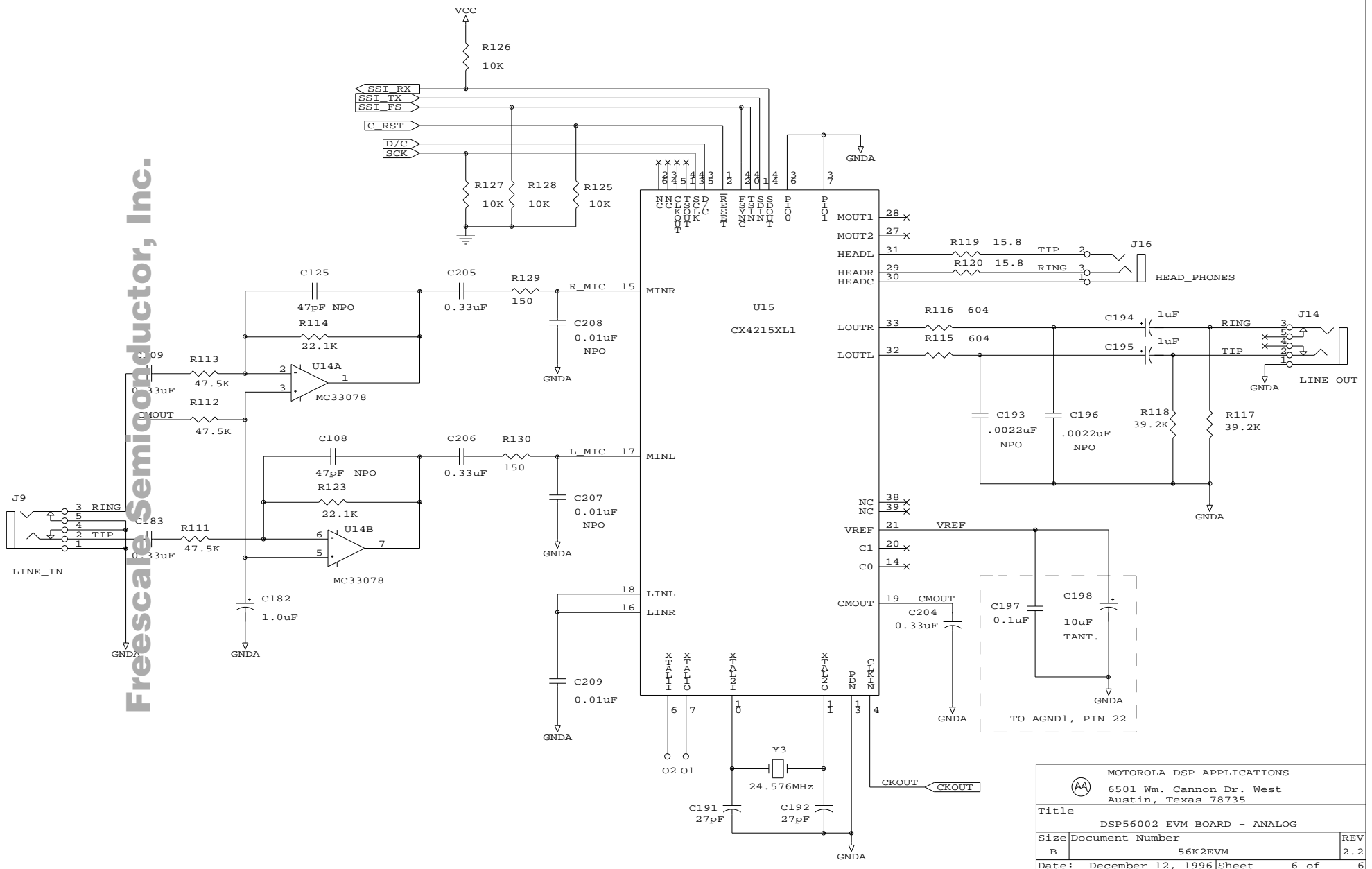


		MOTOROLA DSP APPLICATIONS 6501 Wm. Cannon Dr. West Austin, Texas 78735	
Title			
DSP56002 EVB - RS232/OnCE PORT INTERFACE			
Size	Document Number	REV	
B	56K2EVM	2.2	
Date:	December 17, 1996	Sheet	4 of 6



MOTOROLA DSP APPLICATIONS		
6501 Wm. Cannon Dr. West Austin, Texas 78735		
Title DSP56002 EVB - DSP		
Size	Document Number	REV
B	56K2EVM	2.2
Date:	December 17, 1996	Sheet 5 of 6

Freescale Semiconductor, Inc.



MOTOROLA DSP APPLICATIONS 6501 Wm. Cannon Dr. West Austin, Texas 78735		
Title		
DSP56002 EVB BOARD - ANALOG		
Size	Document Number	REV
B	56K2EVM	2.2
Date:	December 12, 1996	Sheet 6 of 6