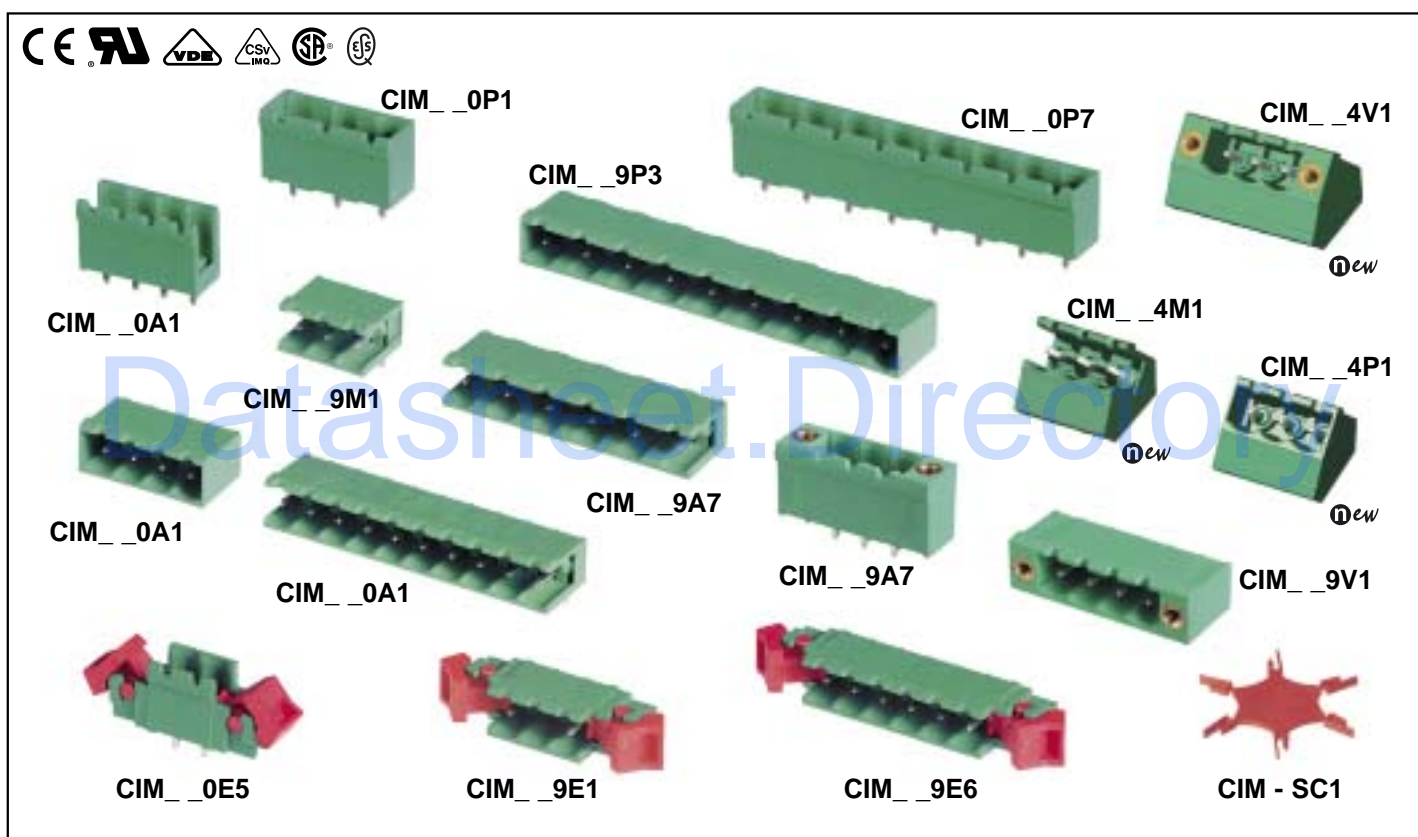




Dimensional Class: MEDIUM
Standard Color: GREEN
Mated Connectors Height: see page 190-191-192
Versions: Straight, 45°, 90°
Mountings: Modular, Polarized, Side Stackable, Ejector Ears, Locking Screw Flanges
Single Mold Poles: from 2 to 4 (Modular) from 2 to 25 (Polarized, Side Stackable) from 2 to 21 (Ejector Ears), from 2 to 23 (Locking Screw Flanges)
Metric Pitches: .197 in (5 mm), .295 (7.5 mm), .394 in (10 mm)
Imperial Pitches: .2 in (5.08 mm), .3 in (7.62 mm), .4 in (10.16 mm)

Classe Dimensionale: MEDIA
Colore Standard: VERDE
Altezza Connettore Completo: vedere pag. 192
Versioni: Diritto, 45°, 90°
Montaggi: Modulare, Polarizzato, Affiancabile, Espulsore, con Viti da 2 a 4 (Modulare) da 2 a 25 (Polarizzato, Affiancabile) da 2 a 21 (Espulsore), da 2 a 23 (con Viti)
Vie Monolitiche:
Passi Metrici: 5 mm, 7,5 mm, 10 mm
Passi in Pollici: 5,08 mm, 7,62 mm, 10,16 mm



The CI connector Series for printed circuit boards can be polarized both by means of the plastic housing and by the use of CIF-LC1 and CIM-SC1 Coding Splines and Clips. COF-SP1 Polarization Pegs are also available for CI Series coding.

For further details please refer to page 186.

The CIM connector Series satisfies the user's mounting needs with the following possibilities:

- mating with CIF, CVF, and CCF female connectors;
- using individual single mold connectors from 2 to 25 poles;
- combining Modular connectors from 2 to 4 poles or use Side Stackable and Polarized connectors from 2 to 25 poles to obtain any number of poles;
- minimizing the stock by storing only selected connectors (ex. 2 - 3... 25 poles) to enable combinations as described above;
- using a custom Kit package to simplify the product management (part-number reduction), to minimize the stock, to improve the assembly and to reduce production errors.

Il connettore Serie CI per circuiti stampati può essere polarizzato sia tramite il corpo plastico, sia con Linguette e Staffe di Codifica CIF-LC1 e CIM-SC1, sia con Spine di Polarizzazione COF-SP1.

Per ulteriori dettagli consultare la pagina 186.

Il connettore Serie CIM soddisfa le esigenze di montaggio dell'utilizzatore; infatti è possibile:

- accoppiarlo con i connettori femmina CIF, CVF, e CCF;
- utilizzare singolarmente i connettori monolitici da 2 a 25 vie;
- comporre i connettori Modulari da 2 a 4 vie oppure affiancare i connettori Affiancabili e Polarizzati da 2 a 25 vie per ottenere qualsiasi numero di vie;
- gestire uno stoccaggio minimo di connettori (es. 2 - 3... 25 vie) per ottenere quanto sopra;
- utilizzare le confezioni Kit che permettono una semplificazione della gestione del prodotto (riduzione dei part-number), del magazzino, dell'assemblaggio, nonché una riduzione dei rischi d'errore.

M3 nickel-plated Copper Alloy Screw.		Vite M3 in Lega di Rame nichelata.
Nickel-plated Copper Alloy Cage Clamp.		Morsetto in Lega di Rame nichelato.
PA 6.6 Polyamide Housing. Standard Color: GREEN. Self-extinguishing According to UL 94. Chlorinated solvents resistant, with no Phosphor, Dioxin or detrimental to health Halogens.		Corpo in Poliammide PA 6.6. Colore Standard: VERDE. Autoestinguente Classe V-0 sec. UL 94. Resistente ai solventi clorurati, senza Fosforo, Diossina e Alogeni dannosi alla salute.
Leadfree tin-plated Phosphorous Bronze spring.		Molla in Bronzo Fosforoso stagnato senza piombo.
Easy-to-solder leadfree tin-plated Phosphorous Bronze Pin.		Terminale in Bronzo Fosforoso stagnato saldabile senza piombo.

Mechanical Characteristics

Insertion force per pole:	max. .674 lb (max. 3 N)
Withdrawal force per pole:	min. .337 lb (min 1.5 N)
PCB thickness:	max. .094 in (max. 2.4 mm)
PCB holes diameter:	min. .055 in (min. 1.4 mm)
Operating temperature range:	-40 °F ÷ +230 °F (-40 °C ÷ +110 °C)
Climatic category:	40/110/21 According to IEC 68-1

Electrical Characteristics

Rated voltage:	.197 in (5 mm) and .200 in (5.08 mm) pitch 300 V (UL, CSA)* .295 in (7.5 mm) and .300 in (7.62 mm) pitch 750 V (IMQ, VDE)* .394 in (10 mm) and .400 in (10.16 mm) pitch 750 V (IMQ, VDE)*
Rated current:	15 A (UL, CSA, IMQ)*
Contact resistance:	<15 mΩ
Insulation resistance:	>10 ⁹ Ω (500V DC)

*All the a.m. data refer to the highest values amongst the certificated ones (). **V** voltage, **I** current values and tightening torque are related to the norms to be applied to the product and to its use.

Caratteristiche Meccaniche

Forza di inserzione per contatto:	max. 3 N
Forza di disinserzione per contatto:	min. 1,5 N
Spessore circuito stampato:	max. 2,4 mm
Diametro fori circuito stampato:	min. 1,4 mm
Temperature di funzionamento:	-40 °C ÷ +110 °C
Categoria climatica:	40/110/21 Secondo IEC 68-1

Caratteristiche Elettriche

Tensione nominale:	passo 5 mm e 5,08 mm 300 V (UL, CSA)* passo 7,5 mm e 7,62 mm 750 V (IMQ, VDE)* passo 10 mm e 10,16 mm 750 V (IMQ, VDE)*
Corrente nominale:	15 A (UL, CSA, IMQ)*
Resistenza di contatto:	<15 mΩ
Resistenza di isolamento:	>10 ⁹ Ω (500V CC)

*Per ogni caratteristica, i dati riportati si riferiscono ai massimi valori fra quelli certificati (). I valori di tensione **V** corrente **I** e, coppia di serraggio sono legati alle norme applicabili al prodotto ed al tipo di utilizzo.

Approvals

(see also "Certifications", page 22)



VDE:	Reg. N. 112754 ÜG 250 V - 12 A - T 110 - 1.5 mm ² for 5 mm and 5.08 mm pitch 500 V - 12 A - T 110 - 1.5 mm ² for 7.5 mm 7.62 mm pitch 750 V - 12 A - T 110 - 1.5 mm ² for 10 mm and 10.16 mm pitch
-------------	---

IMQ:	Certificate with Surveillance IMQ CSv EM672
ESS:	250 V - T 110 - 15 A - 2.5 mm ² solid (12 A - 1.5 mm ² stranded) for 5 mm and 5.08 mm pitch 750 V - T 110 - 15 A - 2.5 mm ² solid (12 A - 1.5 mm ² stranded) for 7.5 mm, 7.62 mm, 10 mm and 10.16 mm pitch

CSA:	File LR 102896-2 300 V - 15 A for 5 mm and 5.08 mm pitch 450 V - 15 A for 7.5 mm and 7.62 mm pitch 600 V - 15 A for 10 mm and 10.16 mm pitch
-------------	--

UL:	File E 167473 300 V - 15 A for 5 mm, 5.08 mm, 7.5 mm and 7.62 mm pitch 600 V - 15 A for 10 mm and 10.16 mm pitch Application values for end-use equipment have to be in accordance to UL norms and applicable to it.
------------	---

Certificazioni

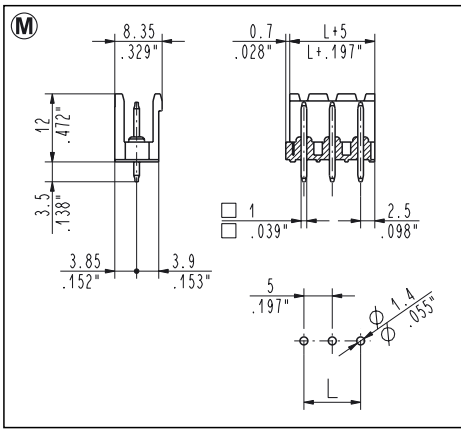
(vedi anche "Certificazioni", pag. 22)

VDE:	Reg. N. 112754 ÜG 250 V - 12 A - T 110 - 1.5 mm ² per passo 5 mm e 5,08 mm 500 V - 12 A - T 110 - 1.5 mm ² per passo 7,5 mm e 7,62 mm 750 V - 12 A - T 110 - 1.5 mm ² per passo 10 mm e 10,16 mm
-------------	---

IMQ:	Certificato con Sorveglianza IMQ CSv EM672
ESS:	250 V - T 110 - 15 A - 2,5 mm ² rigido (12 A - 1,5 mm ² flessibile) per passo 5 mm e 5,08 mm 750 V - T 110 - 15 A - 2,5 mm ² rigido (12 A - 1,5 mm ² flessibile) per passo 7,5 mm, 7,62 mm, 10 mm e 10,16 mm

CSA:	File LR 102896-2 300 V - 15 A per passo 5 mm e 5,08 mm 450 V - 15 A per passo 7,5 mm e 7,62 mm 600 V - 15 A per passo 10 mm e 10,16 mm
-------------	--

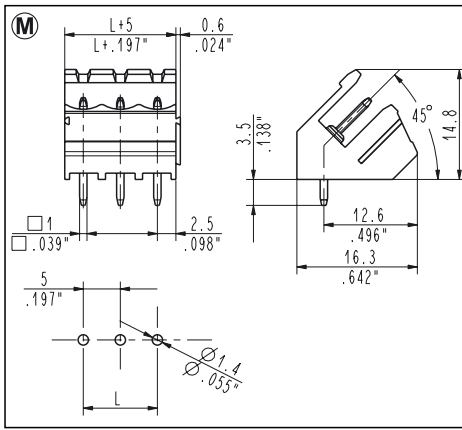
UL:	File E 167473 300 V - 15 A per passo 5 mm, 5,08 mm, 7,5 mm e 7,62 mm 600 V - 15 A per passo 10 mm e 10,16 mm I valori di utilizzo per l'apparecchiatura finale devono essere conformi alle norme UL ad essa applicabili.
------------	---



CIM_0M1 **Straight, Modular Male**
5 mm / .197" Pitch **Weight per pole: 0.36 g**

Poles	STD Code	L [mm]	L [inch]	Pcs/pack.	W [kg]
02	CIM020M1	5.00	0.197	500	0.36
03	CIM030M1	10.00	0.394	400	0.44
04	CIM040M1	15.00	0.591	300	0.44

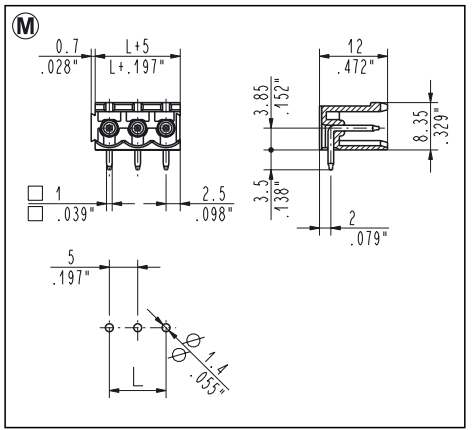
More poles are obtainable by combining modular connectors



CIM_4M1 **45°, Modular Male**
5 mm / .197" Pitch **Weight per pole: 0.36 g**

Poles	STD Code	L [mm]	L [inch]	Pcs/pack.	W [kg]
02	CIM024M1	5.00	0.197	500	0.36
03	CIM034M1	10.00	0.394	400	0.44
04	CIM044M1	15.00	0.591	300	0.44

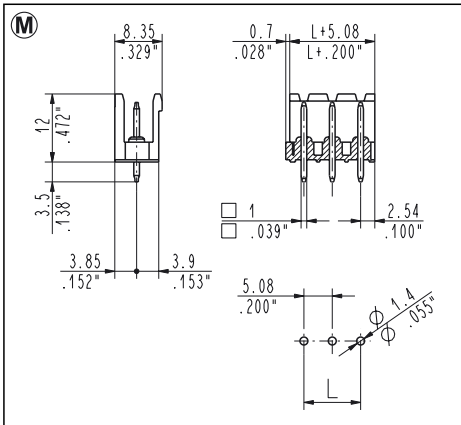
More poles are obtainable by combining modular connectors



CIM_9M1 **90°, Modular Male**
5 mm / .197" Pitch **Weight per pole: 0.37 g**

Poles	STD Code	L [mm]	L [inch]	Pcs/pack.	W [kg]
02	CIM029M1	5.00	0.197	500	0.37
03	CIM039M1	10.00	0.394	400	0.45
04	CIM049M1	15.00	0.591	300	0.45

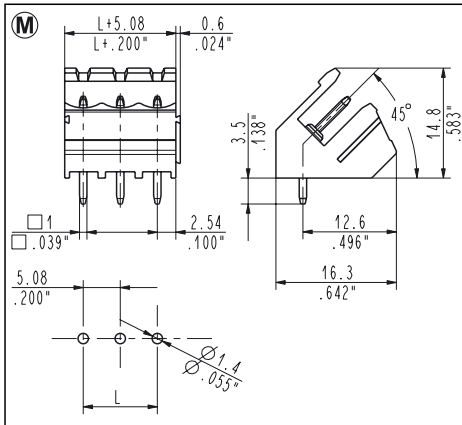
More poles are obtainable by combining modular connectors



CIM_0M5 **Straight, Modular Male**
5.08 mm / .200" Pitch **Weight per pole: 0.36 g**

Poles	STD Code	L [mm]	L [inch]	Pcs/pack.	W [kg]
02	CIM020M5	5.08	0.200	500	0.36
03	CIM030M5	10.16	0.400	400	0.44
04	CIM040M5	15.24	0.600	300	0.44

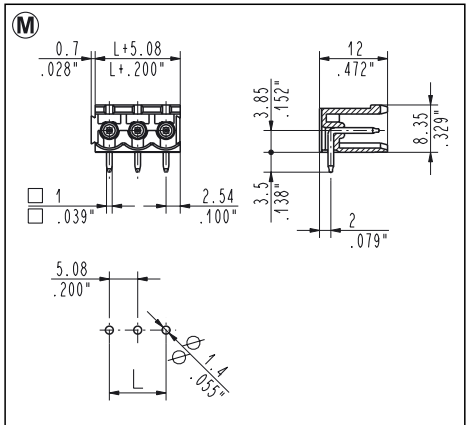
More poles are obtainable by combining modular connectors



CIM_4M5 **45°, Modular Male**
5 mm / .197" Pitch **Weight per pole: 0.36 g**

Poles	STD Code	L [mm]	L [inch]	Pcs/pack.	W [kg]
02	CIM024M5	5.08	0.200	500	0.36
03	CIM034M5	10.16	0.400	400	0.44
04	CIM044M5	15.24	0.600	300	0.44

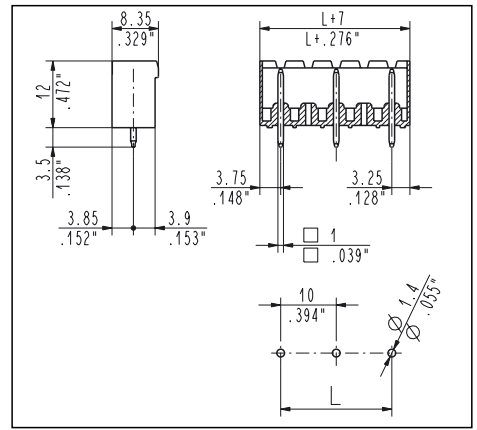
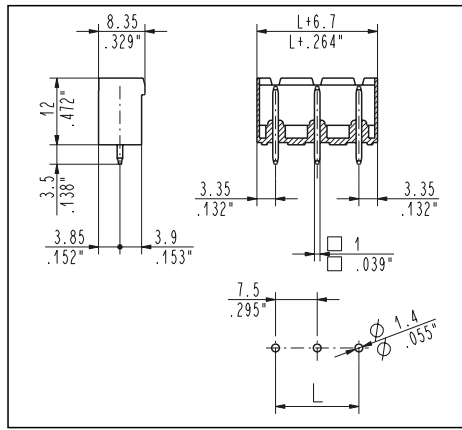
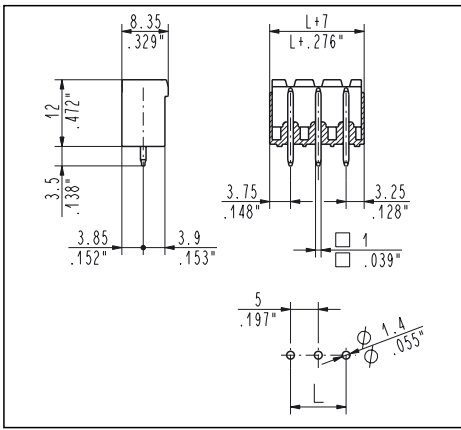
More poles are obtainable by combining modular connectors



CIM_9M5 **90°, Modular Male**
5.08 mm / .200" Pitch **Weight per pole: 0.37 g**

Poles	STD Code	L [mm]	L [inch]	Pcs/pack.	W [kg]
02	CIM029M5	5.08	0.200	500	0.37
03	CIM039M5	10.16	0.400	400	0.45
04	CIM049M5	15.24	0.600	300	0.45

More poles are obtainable by combining modular connectors



CIM_0P1 Straight, Polarized Male
5 mm / .197" Pitch Weight per pole: 0.45 g

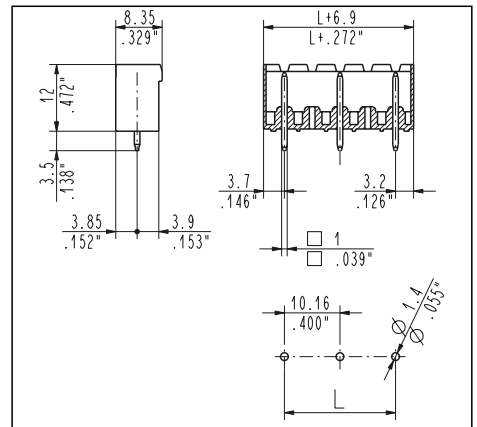
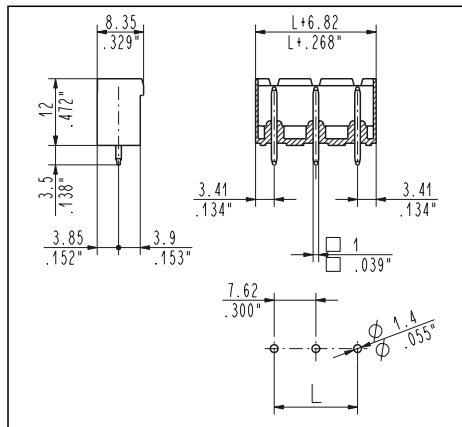
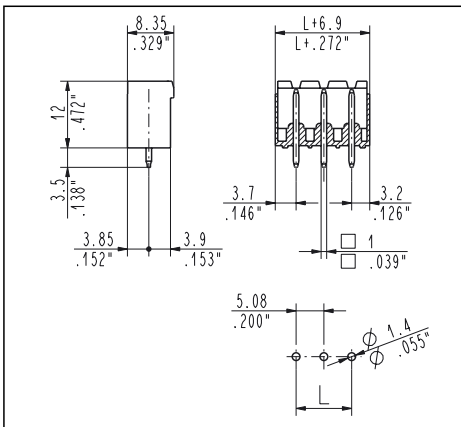
Poles	STD Code	L [mm]	L [inch]	Pcs/pack.	W [kg]
02	CIM020P1	5.00	0.197	500	0.45
03	CIM030P1	10.00	0.394	400	0.54
04	CIM040P1	15.00	0.591	300	0.54
05	CIM050P1	20.00	0.787	250	0.56
06	CIM060P1	25.00	0.984	200	0.54
07	CIM070P1	30.00	1.181	175	0.55
08	CIM080P1	35.00	1.378	150	0.54
09	CIM090P1	40.00	1.575	125	0.50
10	CIM100P1	45.00	1.772	100	0.45
11	CIM110P1	50.00	1.969	100	0.49
12	CIM120P1	55.00	2.165	75	0.40
13	CIM130P1	60.00	2.362	75	0.44
14	CIM140P1	65.00	2.559	75	0.47
15	CIM150P1	70.00	2.756	75	0.50
16	CIM160P1	75.00	2.953	75	0.54
17	CIM170P1	80.00	3.150	50	0.38
18	CIM180P1	85.00	3.346	50	0.40
19	CIM190P1	90.00	3.543	50	0.42
20	CIM200P1	95.00	3.740	50	0.45
21	CIM210P1	100.00	3.937	50	0.47
22	CIM220P1	105.00	4.134	50	0.49
23	CIM230P1	110.00	4.331	50	0.51
24	CIM240P1	115.00	4.528	50	0.54
25	CIM250P1	120.00	4.724	50	0.56

CIM_0P3 Straight, Polarized Male
7.5 mm / .295" Pitch Weight per pole: 0.50 g

Poles	STD Code	L [mm]	L [inch]	Pcs/pack.	W [kg]
02	CIM020P3	7.50	0.295	400	0.40
03	CIM030P3	15.00	0.591	250	0.37
04	CIM040P3	22.50	0.886	200	0.40
05	CIM050P3	30.00	1.181	150	0.37
06	CIM060P3	37.50	1.476	125	0.37
07	CIM070P3	45.00	1.772	100	0.35
08	CIM080P3	52.50	2.067	75	0.30
09	CIM090P3	60.00	2.362	75	0.34
10	CIM100P3	67.50	2.657	75	0.37
11	CIM110P3	75.00	2.953	50	0.27
12	CIM120P3	82.50	3.248	50	0.30

CIM_0P2 Straight, Polarized Male
10 mm / .394" Pitch Weight per pole: 0.58 g

Poles	STD Code	L [mm]	L [inch]	Pcs/pack.	W [kg]
02	CIM020P2	10.00	0.394	400	0.46
03	CIM030P2	20.00	0.787	250	0.43
04	CIM040P2	30.00	1.181	175	0.40
05	CIM050P2	40.00	1.575	125	0.36
06	CIM060P2	50.00	1.969	100	0.34
07	CIM070P2	60.00	2.362	75	0.30
08	CIM080P2	70.00	2.756	75	0.34
09	CIM090P2	80.00	3.150	50	0.26
10	CIM100P2	90.00	3.543	50	0.29
11	CIM110P2	100.00	3.937	50	0.31
12	CIM120P2	110.00	4.331	50	0.34
13	CIM130P2	120.00	4.724	50	0.37



CIM_0P5 Straight, Polarized Male
5.08 mm / .200" Pitch Weight per pole: 0.45 g

Poles	STD Code	L [mm]	L [inch]	Pcs/pack.	W [kg]
02	CIM020P5	5.08	0.200	500	0.45
03	CIM030P5	10.16	0.400	400	0.54
04	CIM040P5	15.24	0.600	300	0.54
05	CIM050P5	20.32	0.800	250	0.56
06	CIM060P5	25.40	1.000	200	0.54
07	CIM070P5	30.48	1.200	175	0.55
08	CIM080P5	35.56	1.400	150	0.54
09	CIM090P5	40.64	1.600	125	0.50
10	CIM100P5	45.72	1.800	100	0.45
11	CIM110P5	50.80	2.000	100	0.49
12	CIM120P5	55.88	2.200	75	0.40
13	CIM130P5	60.96	2.400	75	0.44
14	CIM140P5	66.04	2.600	75	0.47
15	CIM150P5	71.12	2.800	75	0.50
16	CIM160P5	76.20	3.000	75	0.54
17	CIM170P5	81.28	3.200	50	0.38
18	CIM180P5	86.36	3.400	50	0.40
19	CIM190P5	91.44	3.600	50	0.42
20	CIM200P5	96.52	3.800	50	0.45
21	CIM210P5	101.60	4.000	50	0.47
22	CIM220P5	106.68	4.200	50	0.49
23	CIM230P5	111.76	4.400	50	0.51
24	CIM240P5	116.84	4.600	50	0.54
25	CIM250P5	121.92	4.800	50	0.56

CIM_0P7 Straight, Polarized Male
7.62 mm / .300" Pitch Weight per pole: 0.50 g

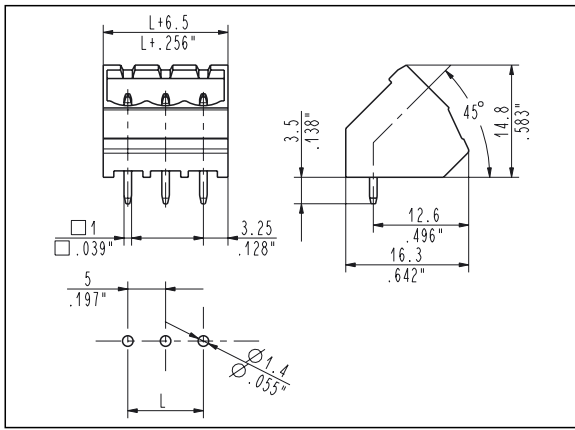
Poles	STD Code	L [mm]	L [inch]	Pcs/pack.	W [kg]
02	CIM020P7	7.62	0.300	400	0.40
03	CIM030P7	15.24	0.600	250	0.37
04	CIM040P7	22.86	0.900	200	0.40
05	CIM050P7	30.48	1.200	150	0.37
06	CIM060P7	38.10	1.500	125	0.37
07	CIM070P7	45.72	1.800	100	0.35
08	CIM080P7	53.34	2.100	75	0.30
09	CIM090P7	60.96	2.400	75	0.34
10	CIM100P7	68.58	2.700	75	0.37
11	CIM110P7	76.20	3.000	50	0.27
12	CIM120P7	83.82	3.300	50	0.30

CIM_0P6 Straight, Polarized Male
10.16 mm / .400" Pitch Weight per pole: 0.58 g

Poles	STD Code	L [mm]	L [inch]	Pcs/pack.	W [kg]
02	CIM020P6	10.16	0.400	400	0.46
03	CIM030P6	20.32	0.800	250	0.43
04	CIM040P6	30.48	1.200	175	0.40
05	CIM050P6	40.64	1.600	125	0.36
06	CIM060P6	50.80	2.000	100	0.34
07	CIM070P6	60.96	2.400	75	0.30
08	CIM080P6	71.12	2.800	75	0.34
09	CIM090P6	81.28	3.200	50	0.26
10	CIM100P6	91.44	3.600	50	0.29
11	CIM110P6	101.60	4.000	50	0.31
12	CIM120P6	111.76	4.400	50	0.34
13	CIM130P6	121.92	4.800	50	0.37

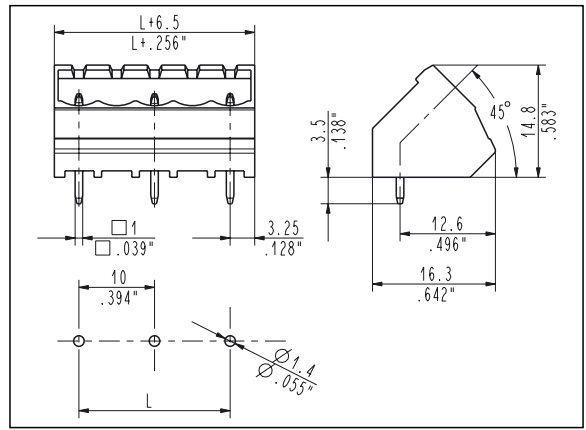
CONNECTORS

SAURO
WWW.SAURO.NET



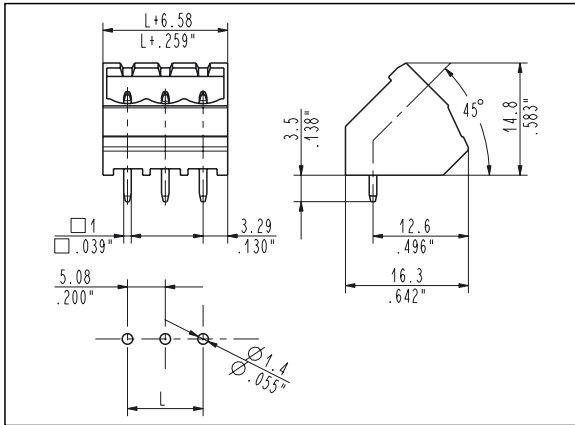
CIM_4P1 45°, Polarized Male
5 mm / .197" Pitch Weight per pole: 0.45 g

Poles	STD Code	L [mm]	L [inch]	Pcs/pack.	W [kg]
02	CIM024P1	5.00	0.197	500	0.45
03	CIM034P1	10.00	0.394	400	0.54
04	CIM044P1	15.00	0.591	300	0.54
05	CIM054P1	20.00	0.787	250	0.56
06	CIM064P1	25.00	0.984	200	0.54
07	CIM074P1	30.00	1.181	175	0.55
08	CIM084P1	35.00	1.378	150	0.54
09	CIM094P1	40.00	1.575	125	0.50
10	CIM104P1	45.00	1.772	100	0.45
11	CIM114P1	50.00	1.969	100	0.49
12	CIM124P1	55.00	2.165	75	0.40
13	CIM134P1	60.00	2.362	75	0.44
14	CIM144P1	65.00	2.559	75	0.47
15	CIM154P1	70.00	2.756	75	0.50
16	CIM164P1	75.00	2.953	75	0.54
17	CIM174P1	80.00	3.150	50	0.38
18	CIM184P1	85.00	3.346	50	0.40
19	CIM194P1	90.00	3.543	50	0.42
20	CIM204P1	95.00	3.740	50	0.45
21	CIM214P1	100.00	3.937	50	0.47
22	CIM224P1	105.00	4.134	50	0.49
23	CIM234P1	110.00	4.331	50	0.51
24	CIM244P1	115.00	4.528	50	0.54
25	CIM254P1	120.00	4.724	50	0.56



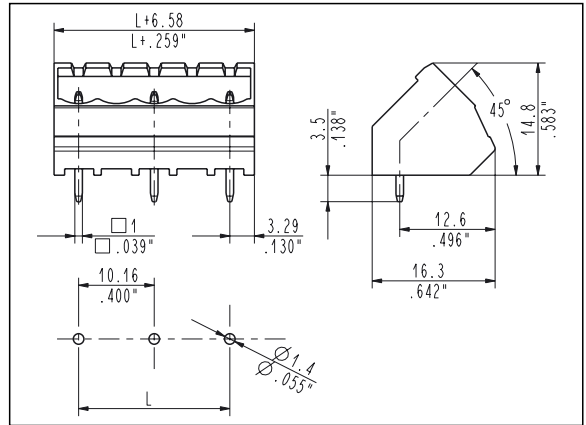
CIM_4P2 45°, Polarized Male
10 mm / .394" Pitch Weight per pole: 0.58 g

Poles	STD Code	L [mm]	L [inch]	Pcs/pack.	W [kg]
02	CIM024P2	10.00	0.394	400	0.46
03	CIM034P2	20.00	0.787	250	0.43
04	CIM044P2	30.00	1.181	175	0.40
05	CIM054P2	40.00	1.575	125	0.36
06	CIM064P2	50.00	1.969	100	0.34
07	CIM074P2	60.00	2.362	75	0.30
08	CIM084P2	70.00	2.756	75	0.34
09	CIM094P2	80.00	3.150	50	0.26
10	CIM104P2	90.00	3.543	50	0.29
11	CIM114P2	100.00	3.937	50	0.31
12	CIM124P2	110.00	4.331	50	0.34
13	CIM134P2	120.00	4.724	50	0.37



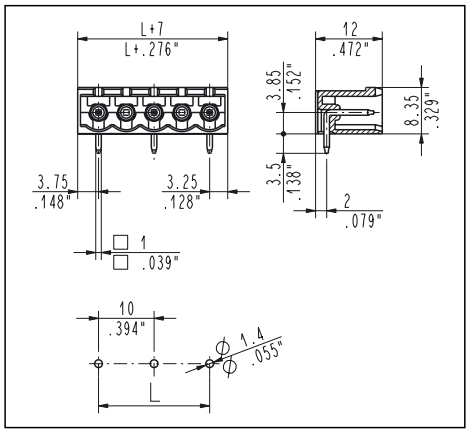
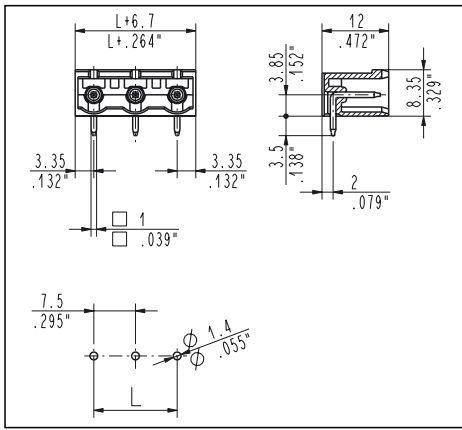
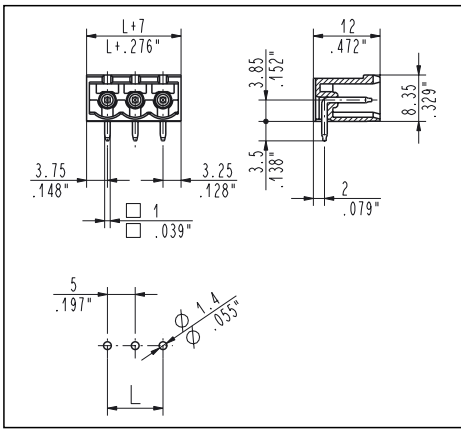
CIM_4P5 45°, Polarized Male
5.08 mm / .200" Pitch Weight per pole: 0.71 g

Poles	STD Code	L [mm]	L [inch]	Pcs/pack.	W [kg]
02	CIM024P5	5.08	0.200	500	0.71
03	CIM034P5	10.16	0.400	400	0.85
04	CIM044P5	15.24	0.600	300	0.85
05	CIM054P5	20.32	0.800	250	0.88
06	CIM064P5	25.40	1.000	200	0.85
07	CIM074P5	30.48	1.200	175	0.87
08	CIM084P5	35.56	1.400	150	0.85



CIM_4P6 45°, Polarized Male
10.16 mm / .400" Pitch Weight per pole: 0.78 g

Poles	STD Code	L [mm]	L [inch]	Pcs/pack.	W [kg]
02	CIM024P6	10.16	0.400	400	0.62
03	CIM034P6	20.32	0.800	250	0.58
04	CIM044P6	30.48	1.200	175	0.54



CIM_9P1 90°, Polarized Male
5 mm / .197" Pitch

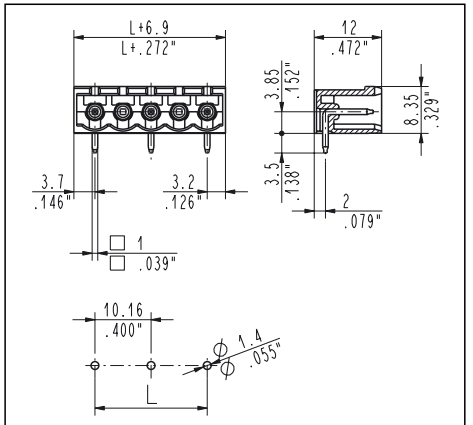
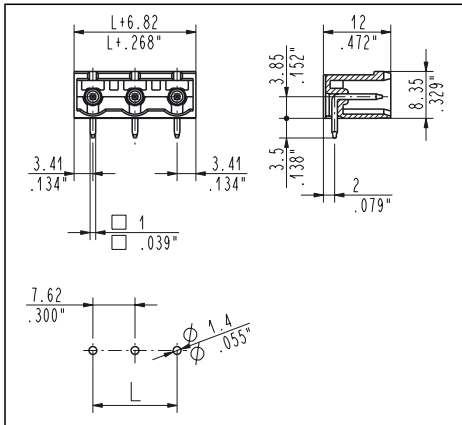
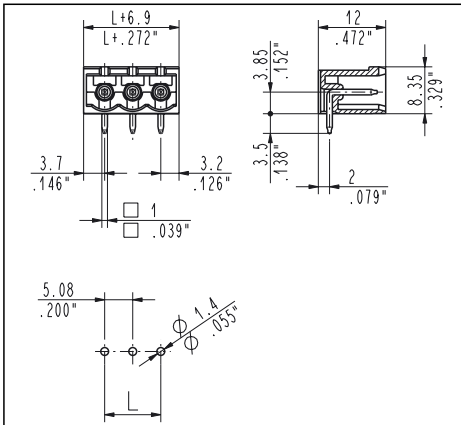
Poles	STD Code	L [mm]	L [inch]	Pcs/pack.	W [kg]
02	CIM029P1	5.00	0.197	500	0.46
03	CIM039P1	10.00	0.394	400	0.55
04	CIM049P1	15.00	0.591	300	0.55
05	CIM059P1	20.00	0.787	250	0.57
06	CIM069P1	25.00	0.984	200	0.55
07	CIM079P1	30.00	1.181	175	0.56
08	CIM089P1	35.00	1.378	150	0.55
09	CIM099P1	40.00	1.575	125	0.51
10	CIM109P1	45.00	1.772	100	0.46
11	CIM119P1	50.00	1.969	100	0.50
12	CIM129P1	55.00	2.165	75	0.41
13	CIM139P1	60.00	2.362	75	0.45
14	CIM149P1	65.00	2.559	75	0.48
15	CIM159P1	70.00	2.756	75	0.51
16	CIM169P1	75.00	2.953	75	0.55
17	CIM179P1	80.00	3.150	50	0.39
18	CIM189P1	85.00	3.346	50	0.41
19	CIM199P1	90.00	3.543	50	0.43
20	CIM209P1	95.00	3.740	50	0.46
21	CIM219P1	100.00	3.937	50	0.48
22	CIM229P1	105.00	4.134	50	0.50
23	CIM239P1	110.00	4.331	50	0.53
24	CIM249P1	115.00	4.528	50	0.55
25	CIM259P1	120.00	4.724	50	0.57

CIM_9P3 90°, Polarized Male
7.5 mm / .295" Pitch

Poles	STD Code	L [mm]	L [inch]	Pcs/pack.	W [kg]
02	CIM029P3	7.50	0.295	400	0.41
03	CIM039P3	15.00	0.591	250	0.38
04	CIM049P3	22.50	0.886	200	0.41
05	CIM059P3	30.00	1.181	150	0.38
06	CIM069P3	37.50	1.476	125	0.38
07	CIM079P3	45.00	1.772	100	0.36
08	CIM089P3	52.50	2.067	75	0.31
09	CIM099P3	60.00	2.362	75	0.34
10	CIM109P3	67.50	2.657	75	0.38
11	CIM119P3	75.00	2.953	50	0.28
12	CIM129P3	82.50	3.248	50	0.31

CIM_9P2 90°, Polarized Male
10 mm / .394" Pitch

Poles	STD Code	L [mm]	L [inch]	Pcs/pack.	W [kg]
02	CIM029P2	10.00	0.394	400	0.47
03	CIM039P2	20.00	0.787	250	0.44
04	CIM049P2	30.00	1.181	175	0.41
05	CIM059P2	40.00	1.575	125	0.36
06	CIM069P2	50.00	1.969	100	0.35
07	CIM079P2	60.00	2.362	75	0.31
08	CIM089P2	70.00	2.756	75	0.35
09	CIM099P2	80.00	3.150	50	0.26
10	CIM109P2	90.00	3.543	50	0.29
11	CIM119P2	100.00	3.937	50	0.32
12	CIM129P2	110.00	4.331	50	0.35
13	CIM139P2	120.00	4.724	50	0.38



CIM_9P5 90°, Polarized Male
5.08 mm / .200" Pitch

Poles	STD Code	L [mm]	L [inch]	Pcs/pack.	W [kg]
02	CIM029P5	5.08	0.200	500	0.46
03	CIM039P5	10.16	0.400	400	0.55
04	CIM049P5	15.24	0.600	300	0.55
05	CIM059P5	20.32	0.800	250	0.57
06	CIM069P5	25.40	1.000	200	0.55
07	CIM079P5	30.48	1.200	175	0.56
08	CIM089P5	35.56	1.400	150	0.55
09	CIM099P5	40.64	1.600	125	0.51
10	CIM109P5	45.72	1.800	100	0.46
11	CIM119P5	50.80	2.000	100	0.50
12	CIM129P5	55.88	2.200	75	0.41
13	CIM139P5	60.96	2.400	75	0.45
14	CIM149P5	66.04	2.600	75	0.48
15	CIM159P5	71.12	2.800	75	0.51
16	CIM169P5	76.20	3.000	75	0.55
17	CIM179P5	81.28	3.200	50	0.39
18	CIM189P5	86.36	3.400	50	0.41
19	CIM199P5	91.44	3.600	50	0.43
20	CIM209P5	96.52	3.800	50	0.46
21	CIM219P5	101.60	4.000	50	0.48
22	CIM229P5	106.68	4.200	50	0.50
23	CIM239P5	111.76	4.400	50	0.53
24	CIM249P5	116.84	4.600	50	0.55
25	CIM259P5	121.92	4.800	50	0.57

CIM_9P7 90°, Polarized Male
7.62 mm / .300" Pitch

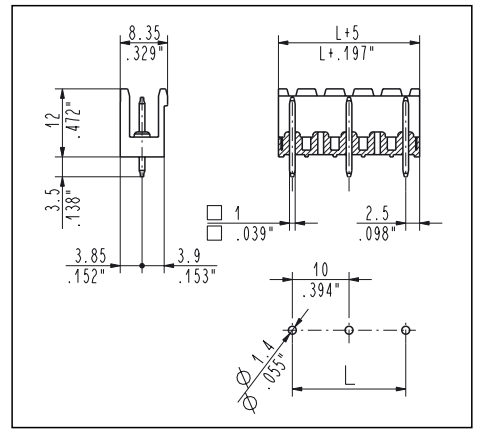
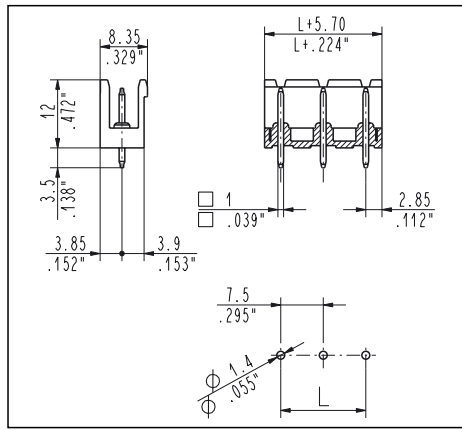
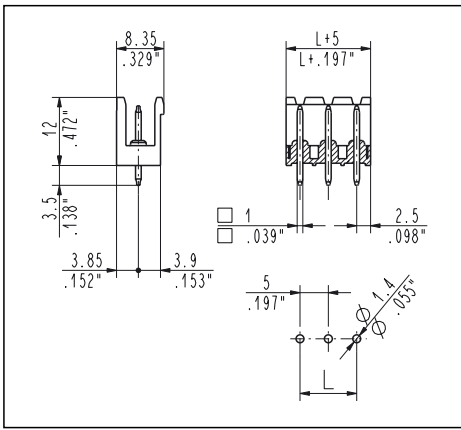
Poles	STD Code	L [mm]	L [inch]	Pcs/pack.	W [kg]
02	CIM029P7	7.62	0.300	400	0.41
03	CIM039P7	15.24	0.600	250	0.38
04	CIM049P7	22.86	0.900	200	0.41
05	CIM059P7	30.48	1.200	150	0.38
06	CIM069P7	38.10	1.500	125	0.38
07	CIM079P7	45.72	1.800	100	0.36
08	CIM089P7	53.34	2.100	75	0.31
09	CIM099P7	60.96	2.400	75	0.34
10	CIM109P7	68.58	2.700	75	0.38
11	CIM119P7	76.20	3.000	50	0.28
12	CIM129P7	83.82	3.300	50	0.31

CIM_9P6 90°, Polarized Male
10.16 mm / .400" Pitch

Poles	STD Code	L [mm]	L [inch]	Pcs/pack.	W [kg]
02	CIM029P6	10.16	0.400	400	0.47
03	CIM039P6	20.32	0.800	250	0.44
04	CIM049P6	30.48	1.200	175	0.41
05	CIM059P6	40.64	1.600	125	0.36
06	CIM069P6	50.80	2.000	100	0.35
07	CIM079P6	60.96	2.400	75	0.31
08	CIM089P6	71.12	2.800	75	0.35
09	CIM099P6	81.28	3.200	50	0.26
10	CIM109P6	91.44	3.600	50	0.29
11	CIM119P6	101.60	4.000	50	0.32
12	CIM129P6	111.76	4.400	50	0.35
13	CIM139P6	121.92	4.800	50	0.38

CONNECTORS

SAURO
WWW.SAURO.NET



CIM_0A1 Straight, Side Stackable Male
5 mm / .197" Pitch Weight per pole: 0.35 g

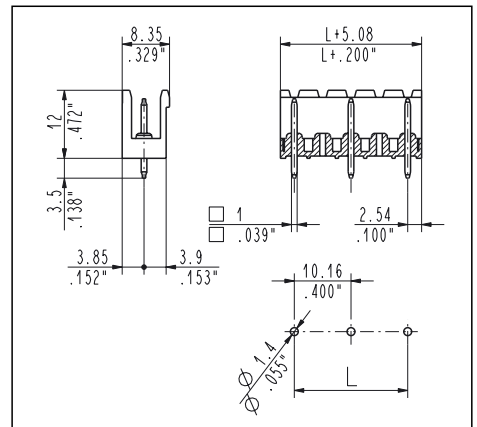
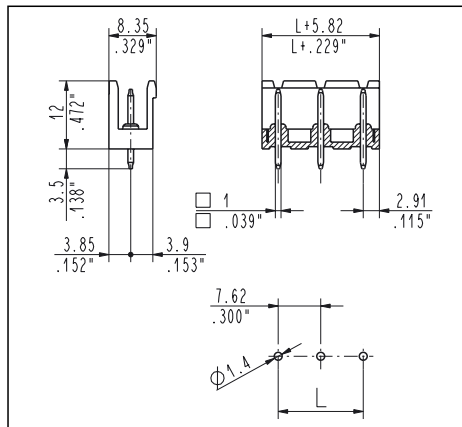
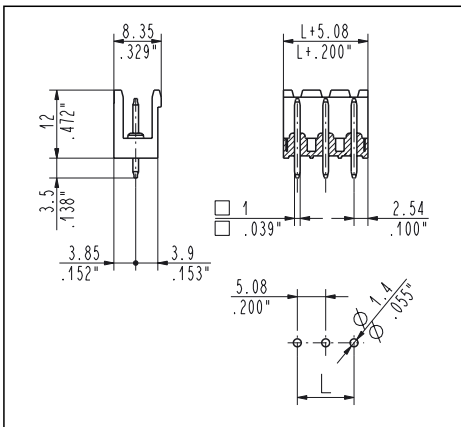
Poles	STD Code	L [mm]	L [inch]	Pcs/pack.	W [kg]
02	CIM020A1	5.00	0.197	500	0.35
03	CIM030A1	10.00	0.394	400	0.42
04	CIM040A1	15.00	0.591	300	0.42
05	CIM050A1	20.00	0.787	250	0.44
06	CIM060A1	25.00	0.984	200	0.42
07	CIM070A1	30.00	1.181	175	0.43
08	CIM080A1	35.00	1.378	150	0.42
09	CIM090A1	40.00	1.575	125	0.40
10	CIM100A1	45.00	1.772	100	0.35
11	CIM110A1	50.00	1.969	100	0.39
12	CIM120A1	55.00	2.165	75	0.32
13	CIM130A1	60.00	2.362	75	0.34
14	CIM140A1	65.00	2.559	75	0.37
15	CIM150A1	70.00	2.756	75	0.40
16	CIM160A1	75.00	2.953	75	0.42
17	CIM170A1	80.00	3.150	50	0.30
18	CIM180A1	85.00	3.346	50	0.32
19	CIM190A1	90.00	3.543	50	0.34
20	CIM200A1	95.00	3.740	50	0.35
21	CIM210A1	100.00	3.937	50	0.37
22	CIM220A1	105.00	4.134	50	0.39
23	CIM230A1	110.00	4.331	50	0.41
24	CIM240A1	115.00	4.528	50	0.42
25	CIM250A1	120.00	4.724	50	0.44

CIM_0A3 Straight, Side Stackable Male
7.5 mm / .295" Pitch Weight per pole: 0.46 g

Poles	STD Code	L [mm]	L [inch]	Pcs/pack.	W [kg]
02	CIM020A3	7.50	0.295	400	0.37
03	CIM030A3	15.00	0.591	250	0.35
04	CIM040A3	22.50	0.886	200	0.37
05	CIM050A3	30.00	1.181	150	0.35
06	CIM060A3	37.50	1.476	125	0.35
07	CIM070A3	45.00	1.772	100	0.33
08	CIM080A3	52.50	2.067	75	0.28
09	CIM090A3	60.00	2.362	75	0.32
10	CIM100A3	67.50	2.657	75	0.35
11	CIM110A3	75.00	2.953	50	0.26
12	CIM120A3	82.50	3.248	50	0.28

CIM_0A2 Straight, Side Stackable Male
10 mm / .394" Pitch Weight per pole: 0.50 g

Poles	STD Code	L [mm]	L [inch]	Pcs/pack.	W [kg]
02	CIM020A2	10.00	0.394	400	0.40
03	CIM030A2	20.00	0.787	250	0.37
04	CIM040A2	30.00	1.181	175	0.35
05	CIM050A2	40.00	1.575	125	0.31
06	CIM060A2	50.00	1.969	100	0.30
07	CIM070A2	60.00	2.362	75	0.26
08	CIM080A2	70.00	2.756	75	0.30
09	CIM090A2	80.00	3.150	50	0.22
10	CIM100A2	90.00	3.543	50	0.25
11	CIM110A2	100.00	3.937	50	0.27
12	CIM120A2	110.00	4.331	50	0.30
13	CIM130A2	120.00	4.724	50	0.32



CIM_0A5 Straight, Side Stackable Male
5.08 mm / .200" Pitch Weight per pole: 0.35 g

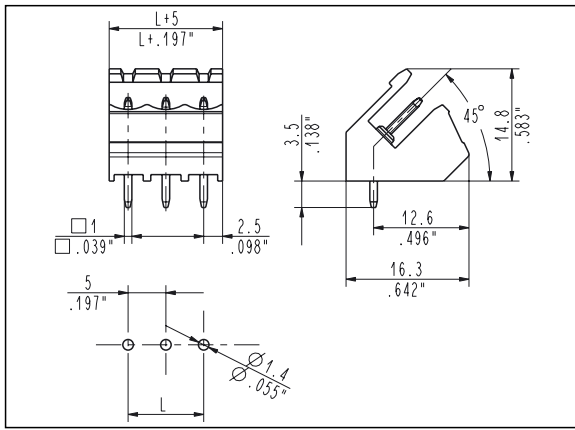
Poles	STD Code	L [mm]	L [inch]	Pcs/pack.	W [kg]
02	CIM020A5	5.08	0.200	500	0.35
03	CIM030A5	10.16	0.400	400	0.42
04	CIM040A5	15.24	0.600	300	0.42
05	CIM050A5	20.32	0.800	250	0.44
06	CIM060A5	25.40	1.000	200	0.42
07	CIM070A5	30.48	1.200	175	0.43
08	CIM080A5	35.56	1.400	150	0.42
09	CIM090A5	40.64	1.600	125	0.40
10	CIM100A5	45.72	1.800	100	0.35
11	CIM110A5	50.80	2.000	100	0.39
12	CIM120A5	55.88	2.200	75	0.32
13	CIM130A5	60.96	2.400	75	0.34
14	CIM140A5	66.04	2.600	75	0.37
15	CIM150A5	71.12	2.800	75	0.40
16	CIM160A5	76.20	3.000	75	0.42
17	CIM170A5	81.28	3.200	50	0.30
18	CIM180A5	86.36	3.400	50	0.32
19	CIM190A5	91.44	3.600	50	0.34
20	CIM200A5	96.52	3.800	50	0.35
21	CIM210A5	101.60	4.000	50	0.37
22	CIM220A5	106.68	4.200	50	0.39
23	CIM230A5	111.76	4.400	50	0.41
24	CIM240A5	116.84	4.600	50	0.42
25	CIM250A5	121.92	4.800	50	0.44

CIM_0A7 Straight, Side Stackable Male
7.62 mm / .300" Pitch Weight per pole: 0.46 g

Poles	STD Code	L [mm]	L [inch]	Pcs/pack.	W [kg]
02	CIM020A7	7.62	0.300	400	0.37
03	CIM030A7	15.24	0.600	250	0.35
04	CIM040A7	22.86	0.900	200	0.37
05	CIM050A7	30.48	1.200	150	0.35
06	CIM060A7	38.10	1.500	125	0.35
07	CIM070A7	45.72	1.800	100	0.33
08	CIM080A7	53.34	2.100	75	0.28
09	CIM090A7	60.96	2.400	75	0.32
10	CIM100A7	68.58	2.700	75	0.35
11	CIM110A7	76.20	3.000	50	0.26
12	CIM120A7	83.82	3.300	50	0.28

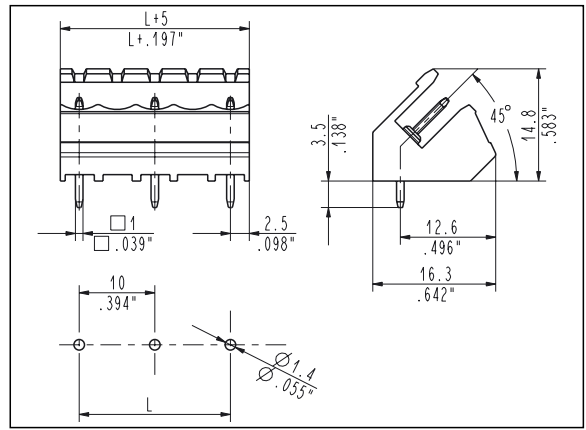
CIM_0A6 Straight, Side Stackable Male
10.16 mm / .400" Pitch Weight per pole: 0.50 g

Poles	STD Code	L [mm]	L [inch]	Pcs/pack.	W [kg]
02	CIM020A6	10.16	0.400	400	0.40
03	CIM030A6	20.32	0.800	250	0.37
04	CIM040A6	30.48	1.200	175	0.35
05	CIM050A6	40.64	1.600	125	0.31
06	CIM060A6	50.80	2.000	100	0.30
07	CIM070A6	60.96	2.400	75	0.26
08	CIM080A6	71.12	2.800	75	0.30
09	CIM090A6	81.28	3.200	50	0.22
10	CIM100A6	91.44	3.600	50	0.25
11	CIM110A6	101.60	4.000	50	0.27
12	CIM120A6	111.76	4.400	50	0.30
13	CIM130A6	121.92	4.800	50	0.32



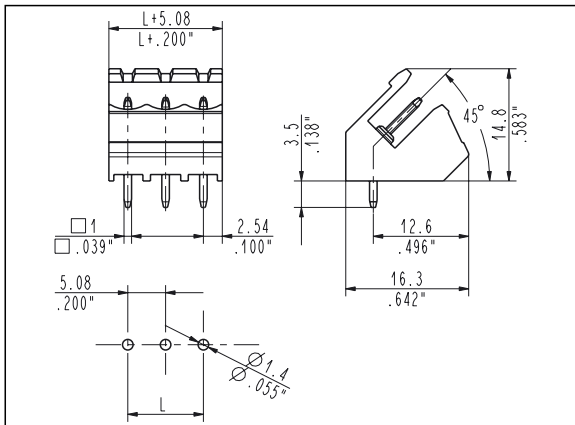
CIM_4A1 45°, Side Stackable Male
5 mm / .197" Pitch Weight per pole: 0.35 g

Poles	STD Code	L [mm]	L [inch]	Pcs/pack.	W [kg]
02	CIM024A1	5.00	0.197	500	0.35
03	CIM034A1	10.00	0.394	400	0.42
04	CIM044A1	15.00	0.591	300	0.42
05	CIM054A1	20.00	0.787	250	0.44
06	CIM064A1	25.00	0.984	200	0.42
07	CIM074A1	30.00	1.181	175	0.43
08	CIM084A1	35.00	1.378	150	0.42
09	CIM094A1	40.00	1.575	125	0.40
10	CIM104A1	45.00	1.772	100	0.35
11	CIM114A1	50.00	1.969	100	0.39
12	CIM124A1	55.00	2.165	75	0.32
13	CIM134A1	60.00	2.362	75	0.34
14	CIM144A1	65.00	2.559	75	0.37
15	CIM154A1	70.00	2.756	75	0.40
16	CIM164A1	75.00	2.953	75	0.42
17	CIM174A1	80.00	3.150	50	0.30
18	CIM184A1	85.00	3.346	50	0.32
19	CIM194A1	90.00	3.543	50	0.34
20	CIM204A1	95.00	3.740	50	0.35
21	CIM214A1	100.00	3.937	50	0.37
22	CIM224A1	105.00	4.134	50	0.39
23	CIM234A1	110.00	4.331	50	0.41
24	CIM244A1	115.00	4.528	50	0.42
25	CIM254A1	120.00	4.724	50	0.44



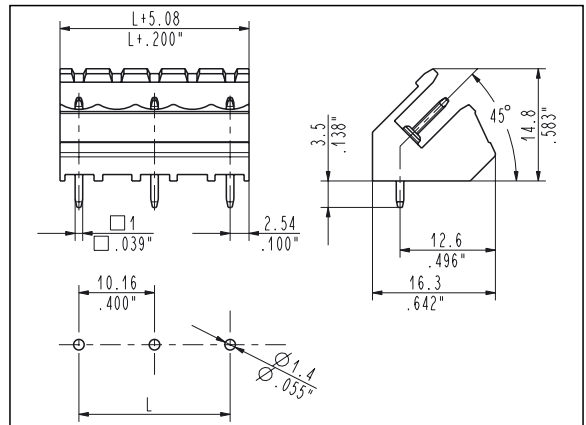
CIM_4A2 45°, Side Stackable Male
10 mm / .394" Pitch Weight per pole: 0.50 g

Poles	STD Code	L [mm]	L [inch]	Pcs/pack.	W [kg]
02	CIM024A2	10.00	0.394	400	0.40
03	CIM034A2	20.00	0.787	250	0.37
04	CIM044A2	30.00	1.181	175	0.35
05	CIM054A2	40.00	1.575	125	0.31
06	CIM064A2	50.00	1.969	100	0.30
07	CIM074A2	60.00	2.362	75	0.26
08	CIM084A2	70.00	2.756	75	0.30
09	CIM094A2	80.00	3.150	50	0.22
10	CIM104A2	90.00	3.543	50	0.25
11	CIM114A2	100.00	3.937	50	0.27
12	CIM124A2	110.00	4.331	50	0.30
13	CIM134A2	120.00	4.724	50	0.32



CIM_4A5 45°, Side Stackable Male
5.08 mm / .200" Pitch Weight per pole: 0.35 g

Poles	STD Code	L [mm]	L [inch]	Pcs/pack.	W [kg]
02	CIM024A5	5.08	0.200	500	0.35
03	CIM034A5	10.16	0.400	400	0.42
04	CIM044A5	15.24	0.600	300	0.42
05	CIM054A5	20.32	0.800	250	0.44
06	CIM064A5	25.40	1.000	200	0.42
07	CIM074A5	30.48	1.200	175	0.43
08	CIM084A5	35.56	1.400	150	0.42

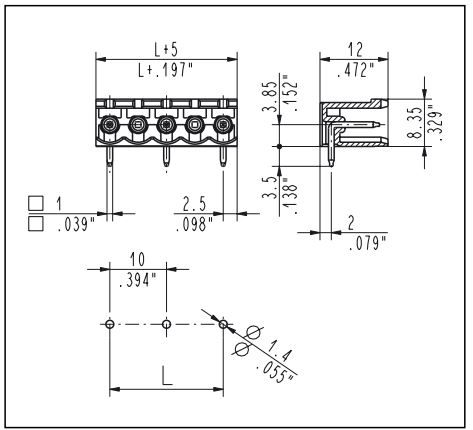
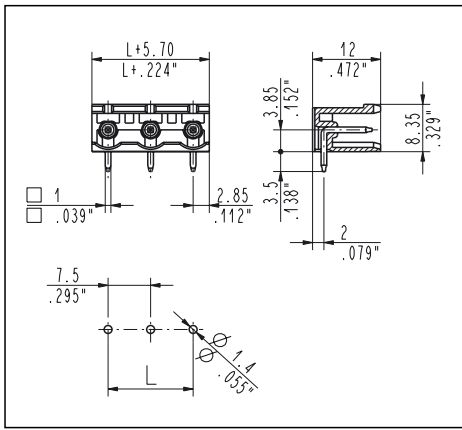
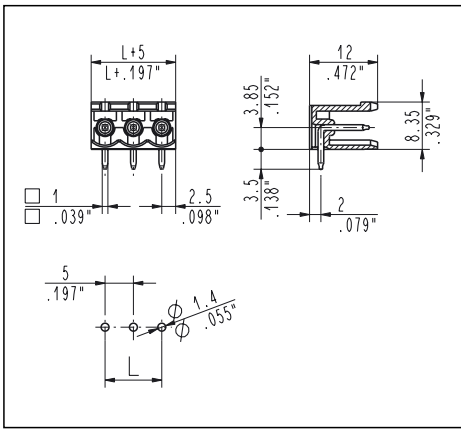


CIM_4A6 45°, Side Stackable Male
10.16 mm / .400" Pitch Weight per pole: 0.50 g

Poles	STD Code	L [mm]	L [inch]	Pcs/pack.	W [kg]
02	CIM024A6	10.16	0.400	400	0.40
03	CIM034A6	20.32	0.800	250	0.37
04	CIM044A6	30.48	1.200	175	0.35

CONNECTORS

SAURO
WWW.SAURO.NET



CIM_9A1 90°, Side Stackable Male
5 mm / .197" Pitch Weight per pole: 0.36 g

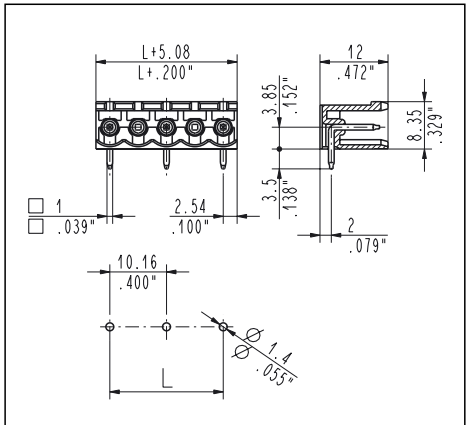
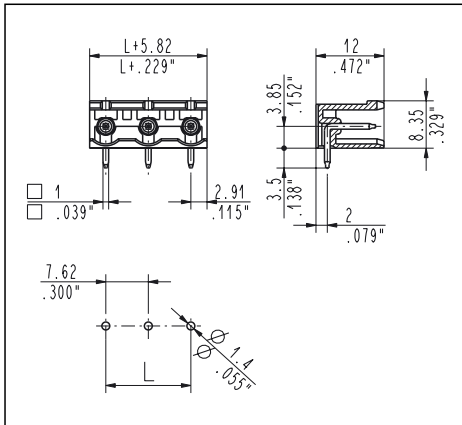
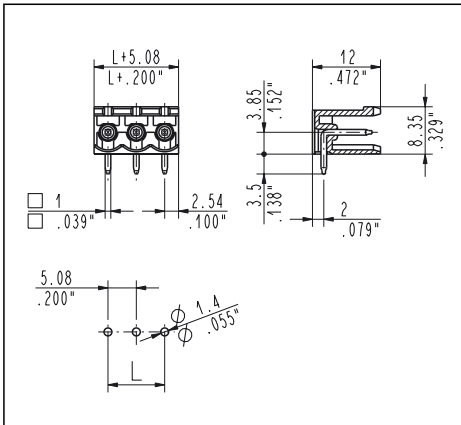
Poles	STD Code	L [mm]	L [inch]	Pcs/pack.	W [kg]
02	CIM029A1	5.00	0.197	500	0.36
03	CIM039A1	10.00	0.394	400	0.44
04	CIM049A1	15.00	0.591	300	0.44
05	CIM059A1	20.00	0.787	250	0.46
06	CIM069A1	25.00	0.984	200	0.44
07	CIM079A1	30.00	1.181	175	0.45
08	CIM089A1	35.00	1.378	150	0.44
09	CIM099A1	40.00	1.575	125	0.41
10	CIM109A1	45.00	1.772	100	0.36
11	CIM119A1	50.00	1.969	100	0.40
12	CIM129A1	55.00	2.165	75	0.33
13	CIM139A1	60.00	2.362	75	0.35
14	CIM149A1	65.00	2.559	75	0.38
15	CIM159A1	70.00	2.756	75	0.41
16	CIM169A1	75.00	2.953	75	0.44
17	CIM179A1	80.00	3.150	50	0.31
18	CIM189A1	85.00	3.346	50	0.33
19	CIM199A1	90.00	3.543	50	0.35
20	CIM209A1	95.00	3.740	50	0.36
21	CIM219A1	100.00	3.937	50	0.38
22	CIM229A1	105.00	4.134	50	0.40
23	CIM239A1	110.00	4.331	50	0.42
24	CIM249A1	115.00	4.528	50	0.44
25	CIM259A1	120.00	4.724	50	0.46

CIM_9A3 90°, Side Stackable Male
7.5 mm / .295" Pitch Weight per pole: 0.48 g

Poles	STD Code	L [mm]	L [inch]	Pcs/pack.	W [kg]
02	CIM029A3	7.50	0.295	400	0.38
03	CIM039A3	15.00	0.591	250	0.36
04	CIM049A3	22.50	0.886	200	0.38
05	CIM059A3	30.00	1.181	150	0.36
06	CIM069A3	37.50	1.476	125	0.36
07	CIM079A3	45.00	1.772	100	0.33
08	CIM089A3	52.50	2.067	75	0.29
09	CIM099A3	60.00	2.362	75	0.32
10	CIM109A3	67.50	2.657	75	0.36
11	CIM119A3	75.00	2.953	50	0.26
12	CIM129A3	82.50	3.248	50	0.29

CIM_9A2 90°, Side Stackable Male
10 mm / .394" Pitch Weight per pole: 0.53 g

Poles	STD Code	L [mm]	L [inch]	Pcs/pack.	W [kg]
02	CIM029A2	10.00	0.394	400	0.42
03	CIM039A2	20.00	0.787	250	0.39
04	CIM049A2	30.00	1.181	175	0.36
05	CIM059A2	40.00	1.575	125	0.33
06	CIM069A2	50.00	1.969	100	0.31
07	CIM079A2	60.00	2.362	75	0.27
08	CIM089A2	70.00	2.756	75	0.31
09	CIM099A2	80.00	3.150	50	0.23
10	CIM109A2	90.00	3.543	50	0.26
11	CIM119A2	100.00	3.937	50	0.29
12	CIM129A2	110.00	4.331	50	0.31
13	CIM139A2	120.00	4.724	50	0.34



CIM_9A5 90°, Side Stackable Male
5.08 mm / .200" Pitch Weight per pole: 0.36 g

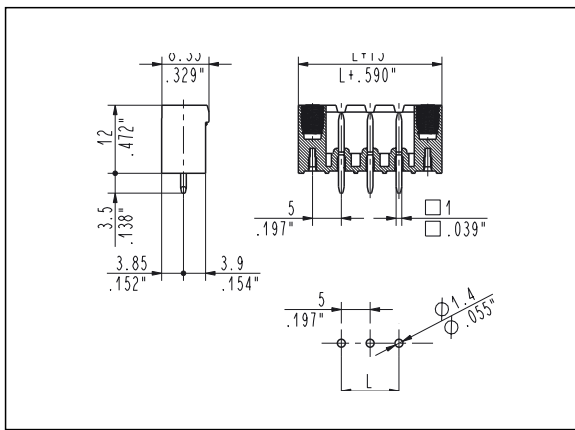
Poles	STD Code	L [mm]	L [inch]	Pcs/pack.	W [kg]
02	CIM029A5	5.08	0.200	500	0.36
03	CIM039A5	10.16	0.400	400	0.44
04	CIM049A5	15.24	0.600	300	0.44
05	CIM059A5	20.32	0.800	250	0.46
06	CIM069A5	25.40	1.000	200	0.44
07	CIM079A5	30.48	1.200	175	0.45
08	CIM089A5	35.56	1.400	150	0.44
09	CIM099A5	40.64	1.600	125	0.41
10	CIM109A5	45.72	1.800	100	0.36
11	CIM119A5	50.80	2.000	100	0.40
12	CIM129A5	55.88	2.200	75	0.33
13	CIM139A5	60.96	2.400	75	0.35
14	CIM149A5	66.04	2.600	75	0.38
15	CIM159A5	71.12	2.800	75	0.41
16	CIM169A5	76.20	3.000	75	0.44
17	CIM179A5	81.28	3.200	50	0.31
18	CIM189A5	86.36	3.400	50	0.33
19	CIM199A5	91.44	3.600	50	0.35
20	CIM209A5	96.52	3.800	50	0.36
21	CIM219A5	101.60	4.000	50	0.38
22	CIM229A5	106.68	4.200	50	0.40
23	CIM239A5	111.76	4.400	50	0.42
24	CIM249A5	116.84	4.600	50	0.44
25	CIM259A5	121.92	4.800	50	0.46

CIM_9A7 90°, Side Stackable Male
7.62 mm / .300" Pitch Weight per pole: 0.48 g

Poles	STD Code	L [mm]	L [inch]	Pcs/pack.	W [kg]
02	CIM029A7	7.62	0.300	400	0.38
03	CIM039A7	15.24	0.600	250	0.36
04	CIM049A7	22.86	0.900	200	0.38
05	CIM059A7	30.48	1.200	150	0.36
06	CIM069A7	38.10	1.500	125	0.36
07	CIM079A7	45.72	1.800	100	0.33
08	CIM089A7	53.34	2.100	75	0.29
09	CIM099A7	60.96	2.400	75	0.32
10	CIM109A7	68.58	2.700	75	0.36
11	CIM119A7	76.20	3.000	50	0.26
12	CIM129A7	83.82	3.300	50	0.29

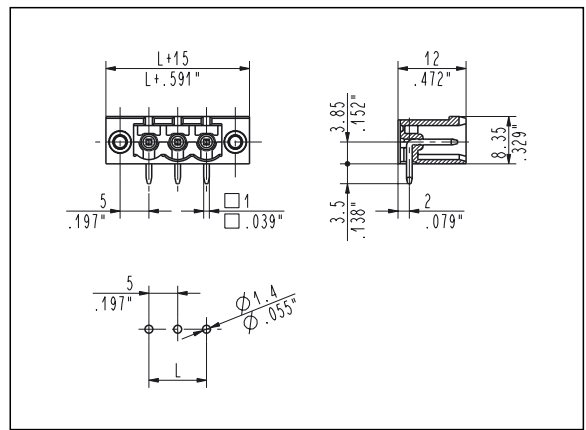
CIM_9A6 90°, Side Stackable Male
10.16 mm / .400" Pitch Weight per pole: 0.53 g

Poles	STD Code	L [mm]	L [inch]	Pcs/pack.	W [kg]
02	CIM029A6	10.16	0.400	400	0.42
03	CIM039A6	20.32	0.800	250	0.39
04	CIM049A6	30.48	1.200	175	0.36
05	CIM059A6	40.64	1.600	125	0.33
06	CIM069A6	50.80	2.000	100	0.31
07	CIM079A6	60.96	2.400	75	0.27
08	CIM089A6	71.12	2.800	75	0.31
09	CIM099A6	81.28	3.200	50	0.23
10	CIM109A6	91.44	3.600	50	0.26
11	CIM119A6	101.60	4.000	50	0.29
12	CIM129A6	111.76	4.400	50	0.31
13	CIM139A6	121.92	4.800	50	0.34



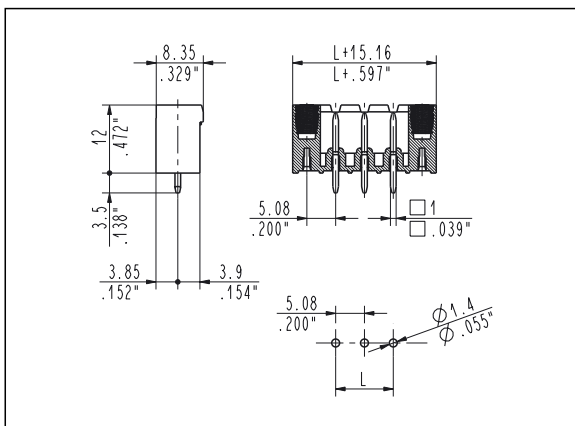
CIM_0V1 Straight, Locking Screw Flanges Male
5 mm / .197" Pitch Weight per pole: 0.70 g

Poles	STD Code	L [mm]	L [inch]	Pcs/pack.	W [kg]
02	CIM020V1	5.00	0.197	300	0.42
03	CIM030V1	10.00	0.394	250	0.53
04	CIM040V1	15.00	0.591	200	0.57
05	CIM050V1	20.00	0.787	175	0.62
06	CIM060V1	25.00	0.984	150	0.64
07	CIM070V1	30.00	1.181	125	0.62
08	CIM080V1	35.00	1.378	100	0.57



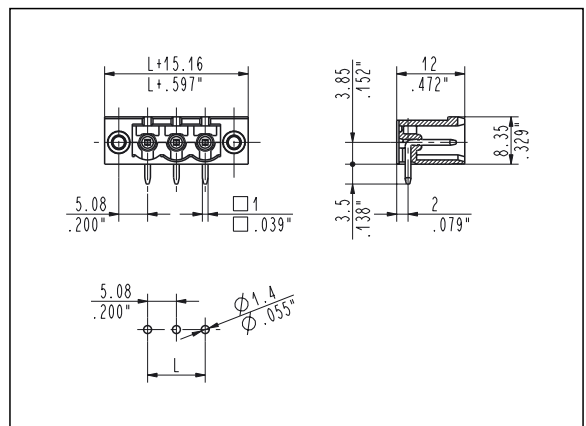
CIM_0V2 Straight, Locking Screw Flanges Male
10 mm / .394" Pitch Weight per pole: 0.76 g

Poles	STD Code	L [mm]	L [inch]	Pcs/pack.	W [kg]
02	CIM020V2	10.00	0.394	250	0.38
03	CIM030V2	20.00	0.787	175	0.40
04	CIM040V2	30.00	1.181	125	0.38



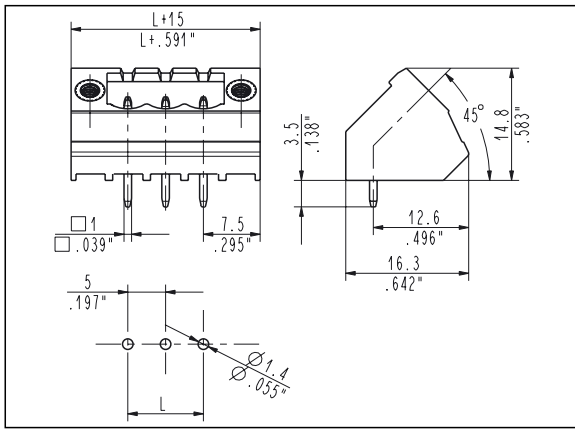
CIM_0V5 Straight, Locking Screw Flanges Male
5.08 mm / .200" Pitch Weight per pole: 0.70 g

Poles	STD Code	L [mm]	L [inch]	Pcs/pack.	W [kg]
02	CIM020V5	5.08	0.200	300	0.42
03	CIM030V5	10.16	0.400	250	0.53
04	CIM040V5	15.24	0.600	200	0.57
05	CIM050V5	20.32	0.800	175	0.62
06	CIM060V5	25.40	1.000	150	0.64
07	CIM070V5	30.48	1.200	125	0.62
08	CIM080V5	35.56	1.400	100	0.57
09	CIM090V5	40.64	1.600	100	0.64
10	CIM100V5	45.72	1.800	75	0.53
11	CIM110V5	50.80	2.000	75	0.58
12	CIM120V5	55.88	2.200	75	0.64
13	CIM130V5	60.96	2.400	75	0.69
14	CIM140V5	66.04	2.600	75	0.74
15	CIM150V5	71.12	2.800	50	0.53
16	CIM160V5	76.20	3.000	50	0.57
17	CIM170V5	81.28	3.200	50	0.60
18	CIM180V5	86.36	3.400	50	0.64
19	CIM190V5	91.44	3.600	50	0.67
20	CIM200V5	96.52	3.800	50	0.71
21	CIM210V5	101.60	4.000	50	0.74
22	CIM220V5	106.68	4.200	50	0.78
23	CIM230V5	111.76	4.400	50	0.81



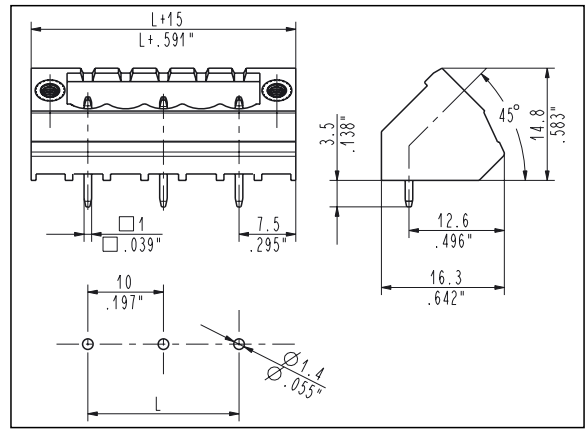
CIM_0V6 Straight, Locking Screw Flanges Male
10.16 mm / .400" Pitch Weight per pole: 0.76 g

Poles	STD Code	L [mm]	L [inch]	Pcs/pack.	W [kg]
02	CIM020V6	10.16	0.400	250	0.38
03	CIM030V6	20.32	0.800	175	0.40
04	CIM040V6	30.48	1.200	125	0.38
05	CIM050V6	40.64	1.600	100	0.38
06	CIM060V6	50.80	2.000	75	0.35
07	CIM070V6	60.96	2.400	75	0.40
08	CIM080V6	71.12	2.800	50	0.31
09	CIM090V6	81.28	3.200	50	0.35
10	CIM100V6	91.44	3.600	50	0.38
11	CIM110V6	101.60	4.000	50	0.42
12	CIM120V6	111.76	4.400	50	0.46



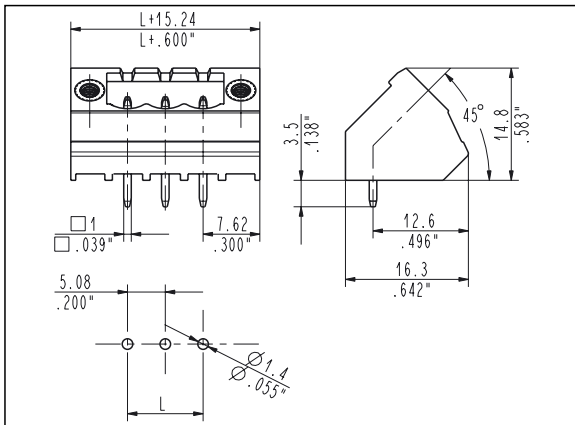
CIM_4V1 45°, Locking Screw Flanges Male
5 mm / .197" Pitch Weight per pole: 0.73 g

Poles	STD Code	L [mm]	L [inch]	Pcs/pack.	W [kg]
02	CIM024V1	5.00	0.197	500	0.73
03	CIM034V1	10.00	0.394	250	0.55
04	CIM044V1	15.00	0.591	200	0.58
05	CIM054V1	20.00	0.787	175	0.64
06	CIM064V1	25.00	0.984	150	0.66
07	CIM074V1	30.00	1.181	125	0.64
08	CIM084V1	35.00	1.378	100	0.58
09	CIM094V1	40.00	1.575	100	0.66
10	CIM104V1	45.00	1.772	75	0.55
11	CIM114V1	50.00	1.969	75	0.60
12	CIM124V1	55.00	2.165	75	0.66
13	CIM134V1	60.00	2.362	75	0.71
14	CIM144V1	65.00	2.559	75	0.76
15	CIM154V1	70.00	2.756	50	0.55
16	CIM164V1	75.00	2.953	50	0.58
17	CIM174V1	80.00	3.150	50	0.62
18	CIM184V1	85.00	3.346	50	0.66
19	CIM194V1	90.00	3.543	50	0.69
20	CIM204V1	95.00	3.740	50	0.73
21	CIM214V1	100.00	3.937	50	0.76
22	CIM224V1	105.00	4.134	50	0.80
23	CIM234V1	110.00	4.331	50	0.84



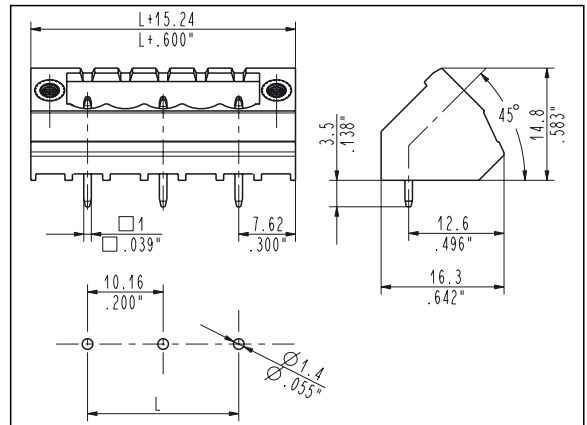
CIM_4V2 45°, Locking Screw Flanges Male
10 mm / .394" Pitch Weight per pole: 0.78 g

Poles	STD Code	L [mm]	L [inch]	Pcs/pack.	W [kg]
02	CIM024V2	10.00	0.394	250	0.39
03	CIM034V2	20.00	0.787	175	0.41
04	CIM044V2	30.00	1.181	125	0.39
05	CIM054V2	40.00	1.575	100	0.39
06	CIM064V2	50.00	1.969	75	0.35
07	CIM074V2	60.00	2.362	75	0.41
08	CIM084V2	70.00	2.756	50	0.31
09	CIM094V2	80.00	3.150	50	0.35
10	CIM104V2	90.00	3.543	50	0.39
11	CIM114V2	100.00	3.937	50	0.43
12	CIM124V2	110.00	4.331	50	0.47



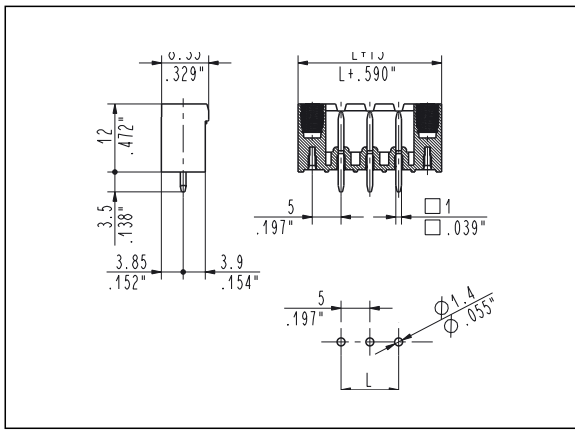
CIM_4V5 45°, Locking Screw Flanges Male
5.08 mm / .200" Pitch Weight per pole: 0.71 g

Poles	STD Code	L [mm]	L [inch]	Pcs/pack.	W [kg]
02	CIM024V5	5.08	0.200	500	0.71
03	CIM034V5	10.16	0.400	250	0.53
04	CIM044V5	15.24	0.600	200	0.57
05	CIM054V5	20.32	0.800	175	0.62
06	CIM064V5	25.40	1.000	150	0.64



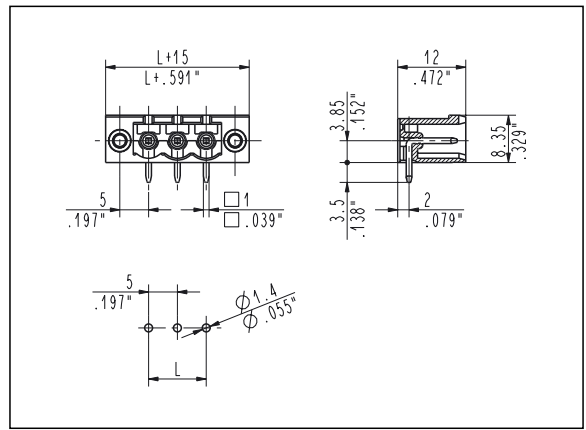
CIM_4V6 45°, Locking Screw Flanges Male
10.16 mm / .400" Pitch Weight per pole: 0.76 g

Poles	STD Code	L [mm]	L [inch]	Pcs/pack.	W [kg]
02	CIM024V6	10.16	0.400	250	0.38
03	CIM034V6	20.32	0.800	175	0.40



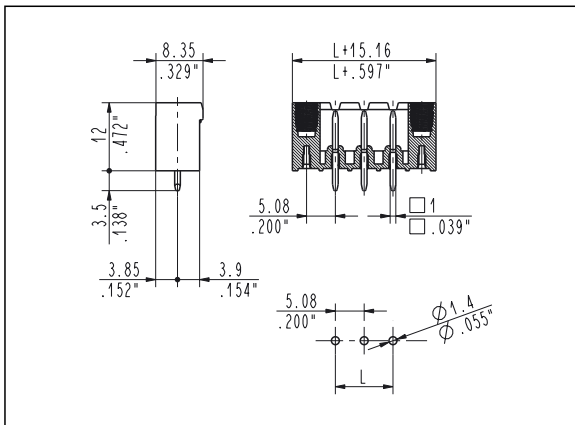
CIM_9V1 90°, Locking Screw Flanges Male
5 mm / .197" Pitch Weight per pole: 0.70 g

Poles	STD Code	L [mm]	L [inch]	Pcs/pack.	W [kg]
02	CIM020V1	5.00	0.197	300	0.42
03	CIM030V1	10.00	0.394	250	0.53
04	CIM040V1	15.00	0.591	200	0.57
05	CIM050V1	20.00	0.787	175	0.62
06	CIM060V1	25.00	0.984	150	0.64
07	CIM070V1	30.00	1.181	125	0.62
08	CIM080V1	35.00	1.378	100	0.57



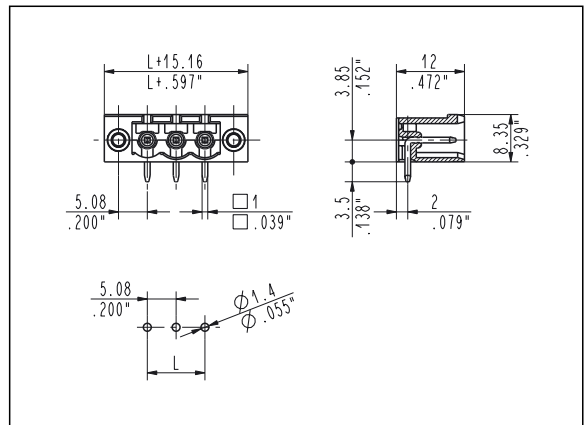
CIM_9V2 90°, Locking Screw Flanges Male
10 mm / .394" Pitch Weight per pole: 0.78 g

Poles	STD Code	L [mm]	L [inch]	Pcs/pack.	W [kg]
02	CIM029V2	10.00	0.394	250	0.39
03	CIM039V2	20.00	0.787	175	0.41
04	CIM049V2	30.00	1.181	125	0.39



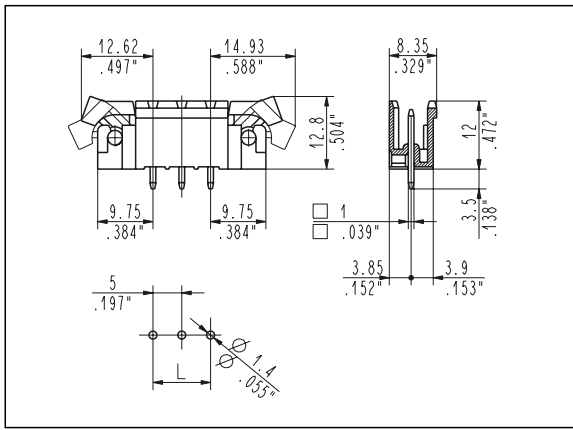
CIM_9V5 90°, Locking Screw Flanges Male
5.08 mm / .200" Pitch Weight per pole: 0.70 g

Poles	STD Code	L [mm]	L [inch]	Pcs/pack.	W [kg]
02	CIM020V5	5.08	0.200	300	0.42
03	CIM030V5	10.16	0.400	250	0.53
04	CIM040V5	15.24	0.600	200	0.57
05	CIM050V5	20.32	0.800	175	0.62
06	CIM060V5	25.40	1.000	150	0.64
07	CIM070V5	30.48	1.200	125	0.62
08	CIM080V5	35.56	1.400	100	0.57
09	CIM090V5	40.64	1.600	100	0.64
10	CIM100V5	45.72	1.800	75	0.53
11	CIM110V5	50.80	2.000	75	0.58
12	CIM120V5	55.88	2.200	75	0.64
13	CIM130V5	60.96	2.400	75	0.69
14	CIM140V5	66.04	2.600	75	0.74
15	CIM150V5	71.12	2.800	50	0.53
16	CIM160V5	76.20	3.000	50	0.57
17	CIM170V5	81.28	3.200	50	0.60
18	CIM180V5	86.36	3.400	50	0.64
19	CIM190V5	91.44	3.600	50	0.67
20	CIM200V5	96.52	3.800	50	0.71
21	CIM210V5	101.60	4.000	50	0.74
22	CIM220V5	106.68	4.200	50	0.78
23	CIM230V5	111.76	4.400	50	0.81



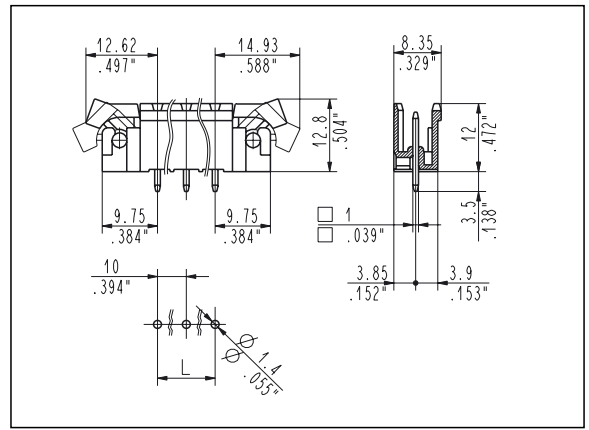
CIM_9V6 90°, Locking Screw Flanges Male
10.16 mm / .400" Pitch Weight per pole: 0.78 g

Poles	STD Code	L [mm]	L [inch]	Pcs/pack.	W [kg]
02	CIM029V6	10.16	0.400	250	0.39
03	CIM039V6	20.32	0.800	175	0.41
04	CIM049V6	30.48	1.200	125	0.39
05	CIM059V6	40.64	1.600	100	0.39
06	CIM069V6	50.80	2.000	75	0.35
07	CIM079V6	60.96	2.400	75	0.41
08	CIM089V6	71.12	2.800	50	0.31
09	CIM099V6	81.28	3.200	50	0.35
10	CIM109V6	91.44	3.600	50	0.39
11	CIM119V6	101.60	4.000	50	0.43
12	CIM129V6	111.76	4.400	50	0.47



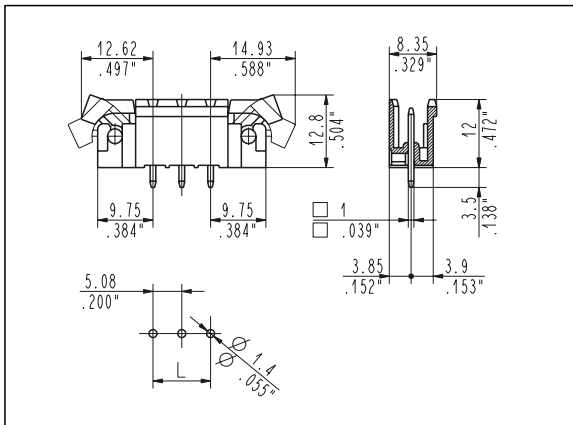
CIM_0E1 Straight, Ejector Ears Male
5 mm / .197" Pitch Weight per pole: 0.77 g

Poles	STD Code	L [mm]	L [inch]	Pcs/pack.	W [kg]
02	CIM020E1	5.00	0.197	175	0.27
03	CIM030E1	10.00	0.394	150	0.35
04	CIM040E1	15.00	0.591	125	0.39
05	CIM050E1	20.00	0.787	100	0.39
06	CIM060E1	25.00	0.984	100	0.47
07	CIM070E1	30.00	1.181	75	0.41
08	CIM080E1	35.00	1.378	75	0.47
09	CIM090E1	40.00	1.575	75	0.53
10	CIM100E1	45.00	1.772	75	0.59
11	CIM110E1	50.00	1.969	75	0.64
12	CIM120E1	55.00	2.165	50	0.47
13	CIM130E1	60.00	2.362	50	0.51
14	CIM140E1	65.00	2.559	50	0.55
15	CIM150E1	70.00	2.756	50	0.59
16	CIM160E1	75.00	2.953	50	0.62
17	CIM170E1	80.00	3.150	50	0.66
18	CIM180E1	85.00	3.346	50	0.70
19	CIM190E1	90.00	3.543	50	0.74
20	CIM200E1	95.00	3.740	50	0.78
21	CIM210E1	100.00	3.937	50	0.82



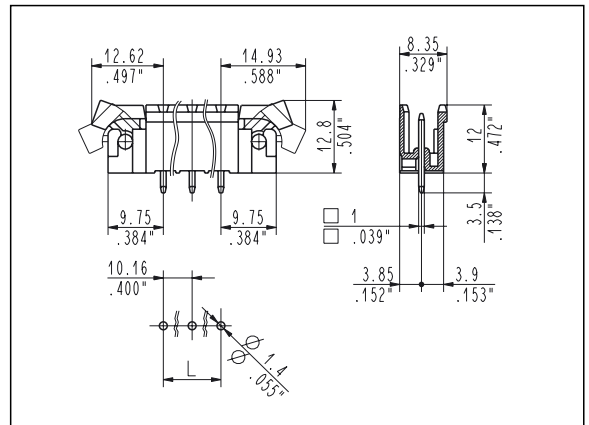
CIM_0E2 Straight, Ejector Ears Male
10 mm / .394" Pitch Weight per pole: 1.16 g

Poles	STD Code	L [mm]	L [inch]	Pcs/pack.	W [kg]
02	CIM020E2	10.00	0.394	125	0.29
03	CIM030E2	20.00	0.787	100	0.34
04	CIM040E2	30.00	1.181	75	0.34
05	CIM050E2	40.00	1.575	75	0.43
06	CIM060E2	50.00	1.969	50	0.34
07	CIM070E2	60.00	2.362	50	0.40
08	CIM080E2	70.00	2.756	50	0.46
09	CIM090E2	80.00	3.150	50	0.51
10	CIM100E2	90.00	3.543	50	0.57
11	CIM110E2	100.00	3.937	50	0.63



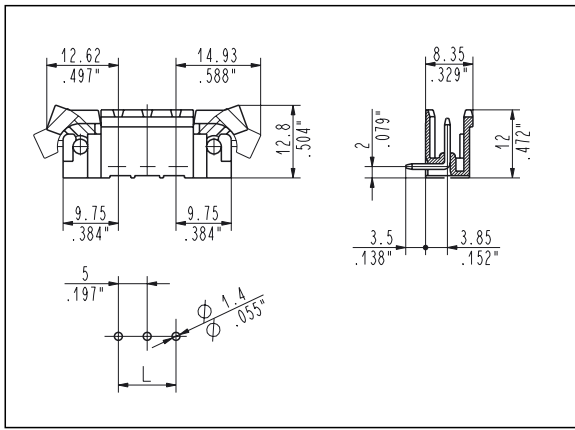
CIM_0E5 Straight, Ejector Ears Male
5.08 mm / .200" Pitch Weight per pole: 0.77 g

Poles	STD Code	L [mm]	L [inch]	Pcs/pack.	W [kg]
02	CIM020E5	5.08	0.200	175	0.27
03	CIM030E5	10.16	0.400	150	0.35
04	CIM040E5	15.24	0.600	125	0.39
05	CIM050E5	20.32	0.800	100	0.39
06	CIM060E5	25.40	1.000	100	0.47
07	CIM070E5	30.48	1.200	75	0.41
08	CIM080E5	35.56	1.400	75	0.47
09	CIM090E5	40.64	1.600	75	0.53
10	CIM100E5	45.72	1.800	75	0.59
11	CIM110E5	50.80	2.000	75	0.64
12	CIM120E5	55.88	2.200	50	0.47
13	CIM130E5	60.96	2.400	50	0.51
14	CIM140E5	66.04	2.600	50	0.55
15	CIM150E5	71.12	2.800	50	0.59
16	CIM160E5	76.20	3.000	50	0.62
17	CIM170E5	81.28	3.200	50	0.66
18	CIM180E5	86.36	3.400	50	0.70
19	CIM190E5	91.44	3.600	50	0.74
20	CIM200E5	96.52	3.800	50	0.78
21	CIM210E5	101.60	4.000	50	0.82



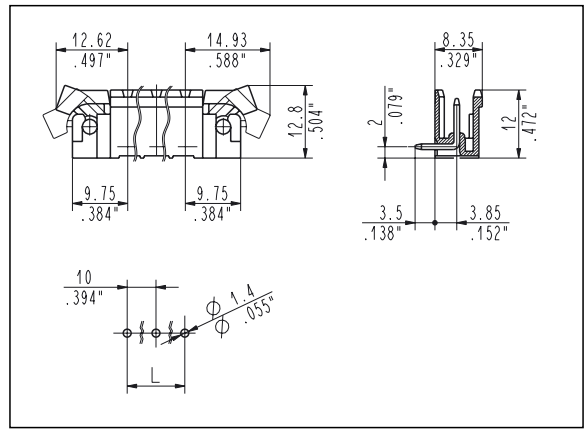
CIM_0E6 Straight, Ejector Ears Male
10.16 mm / .400" Pitch Weight per pole: 1.16 g

Poles	STD Code	L [mm]	L [inch]	Pcs/pack.	W [kg]
02	CIM020E6	10.16	0.400	125	0.29
03	CIM030E6	20.32	0.800	100	0.34
04	CIM040E6	30.48	1.200	75	0.34
05	CIM050E6	40.64	1.600	75	0.43
06	CIM060E6	50.80	2.000	50	0.34
07	CIM070E6	60.96	2.400	50	0.40
08	CIM080E6	71.12	2.800	50	0.46
09	CIM090E6	81.28	3.200	50	0.51
10	CIM100E6	91.44	3.600	50	0.57
11	CIM110E6	101.60	4.000	50	0.63



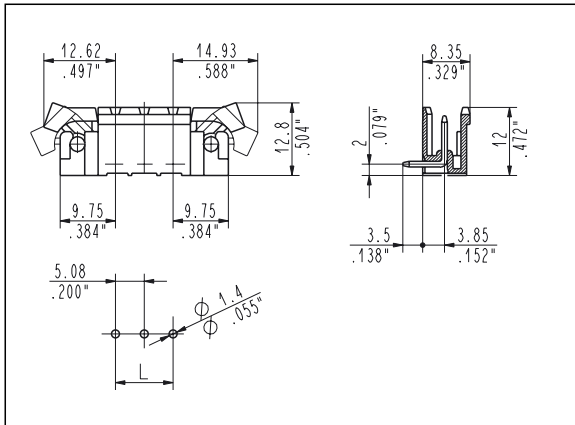
CIM_9E1 90°, Ejector Ears Male
5 mm / .197" Pitch Weight per pole: 0.80 g

Poles	STD Code	L [mm]	L [inch]	Pcs/pack.	W [kg]
02	CIM029E1	5.00	0.197	175	0.28
03	CIM039E1	10.00	0.394	150	0.36
04	CIM049E1	15.00	0.591	125	0.40
05	CIM059E1	20.00	0.787	100	0.40
06	CIM069E1	25.00	0.984	100	0.47
07	CIM079E1	30.00	1.181	75	0.41
08	CIM089E1	35.00	1.378	75	0.47
09	CIM099E1	40.00	1.575	75	0.53
10	CIM109E1	45.00	1.772	75	0.59
11	CIM119E1	50.00	1.969	75	0.65
12	CIM129E1	55.00	2.165	50	0.47
13	CIM139E1	60.00	2.362	50	0.51
14	CIM149E1	65.00	2.559	50	0.55
15	CIM159E1	70.00	2.756	50	0.59
16	CIM169E1	75.00	2.953	50	0.63
17	CIM179E1	80.00	3.150	50	0.67
18	CIM189E1	85.00	3.346	50	0.71
19	CIM199E1	90.00	3.543	50	0.75
20	CIM209E1	95.00	3.740	50	0.79
21	CIM219E1	100.00	3.937	50	0.83



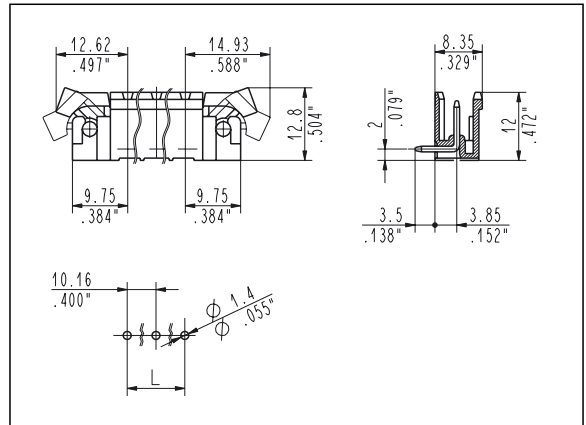
CIM_9E2 90°, Ejector Ears Male
10 mm / .394" Pitch Weight per pole: 1.24 g

Poles	STD Code	L [mm]	L [inch]	Pcs/pack.	W [kg]
02	CIM029E2	10.00	0.394	125	0.31
03	CIM039E2	20.00	0.787	100	0.37
04	CIM049E2	30.00	1.181	75	0.37
05	CIM059E2	40.00	1.575	75	0.47
06	CIM069E2	50.00	1.969	50	0.37
07	CIM079E2	60.00	2.362	50	0.44
08	CIM089E2	70.00	2.756	50	0.50
09	CIM099E2	80.00	3.150	50	0.56
10	CIM109E2	90.00	3.543	50	0.62
11	CIM119E2	100.00	3.937	50	0.69



CIM_9E5 90°, Ejector Ears Male
5.08 mm / .200" Pitch Weight per pole: 0.80 g

Poles	STD Code	L [mm]	L [inch]	Pcs/pack.	W [kg]
02	CIM029E5	5.08	0.200	175	0.28
03	CIM039E5	10.16	0.400	150	0.36
04	CIM049E5	15.24	0.600	125	0.40
05	CIM059E5	20.32	0.800	100	0.40
06	CIM069E5	25.40	1.000	100	0.47
07	CIM079E5	30.48	1.200	75	0.41
08	CIM089E5	35.56	1.400	75	0.47
09	CIM099E5	40.64	1.600	75	0.53
10	CIM109E5	45.72	1.800	75	0.59
11	CIM119E5	50.80	2.000	75	0.65
12	CIM129E5	55.88	2.200	50	0.47
13	CIM139E5	60.96	2.400	50	0.51
14	CIM149E5	66.04	2.600	50	0.55
15	CIM159E5	71.12	2.800	50	0.59
16	CIM169E5	76.20	3.000	50	0.63
17	CIM179E5	81.28	3.200	50	0.67
18	CIM189E5	86.36	3.400	50	0.71
19	CIM199E5	91.44	3.600	50	0.75
20	CIM209E5	96.52	3.800	50	0.79
21	CIM219E5	101.60	4.000	50	0.83



CIM_9E6 90°, Ejector Ears Male
10.16 mm / .400" Pitch Weight per pole: 1.24 g

Poles	STD Code	L [mm]	L [inch]	Pcs/pack.	W [kg]
02	CIM029E6	10.16	0.400	125	0.31
03	CIM039E6	20.32	0.800	100	0.37
04	CIM049E6	30.48	1.200	75	0.37
05	CIM059E6	40.64	1.600	75	0.47
06	CIM069E6	50.80	2.000	50	0.37
07	CIM079E6	60.96	2.400	50	0.44
08	CIM089E6	71.12	2.800	50	0.50
09	CIM099E6	81.28	3.200	50	0.56
10	CIM109E6	91.44	3.600	50	0.62
11	CIM119E6	101.60	4.000	50	0.69