

General Transistor Corporation
 216 WEST FLORENCE AVENUE
 INGLEWOOD, CALIFORNIA 90301
 (213) 673-8422 • Telex 65-3474 • FAX (213) 672-2905

SMALL SIGNAL TRANSISTORS

NPN General Purpose

Type No.	Ptot (mW)	VCEO VCER* (V)	hFE@Ic		VCE(SAT)		fr (MHz)	ts toff @IC/IB (µs)	PACKAGE
			MIN/MAX	(mA)	(V) MAX	(mA)			
2N718A	500	50*	40/120	150	1.5	150/15	60	TO-18	
2N720A	500	80	40/-	150	5	150/15	50		
2N915	500	50	50/200	10	1	10/1	300		
2N918	500	40	50/200	10	0.5	10/1	300		
2N958	500	50*	100/300	150	1.5	150/15	70		
2N2221	500	30	40/120	150	1.6	500/50	250		
2N2221A	500	40	40/120	150	1	500/50	250		
2N2222	500	30	100/300	150	1.6	500/50	250		
2N2222A	500	40	100/300	150	1	500/50	250		
2N3700	500	80	100/300	150	0.5	150/15	100 TYP		
2N1613	800	50*	40/120	150	1.5	150/15	60		TO-39
2N1711	800	50*	100/300	150	1.5	150/15	70		
2N1893	800	80	40/120	150	5	150/15	50		
2N2102	1000	65	40/120	150	0.5	150/15	60		
2N2218	800	30	40/120	150	1.6	500/50	250		
2N2218A	800	40	40/120	150	1	500/50	250		
2N2219	800	30	100/300	150	1.6	500/50	250		
2N2219A	800	40	100/300	150	1	500/50	250		
2N3019	800	80	100/300	150	0.5	500/50	100 TYP		
2N3020	800	80	40/120	150	0.5	500/50	80 TYP		
2N3053	800	40	50/250	150	1.4	150/15	100 TYP		
2N3107	800	60	100/300	150	1.4	150/15	100 TYP		
2N3108	800	60	40/120	150	1.4	150/15	100 TYP		
2N3109	800	40	100/300	150	1.4	150/15	100 TYP		
2N3110	800	40	40/120	150	1.4	150/15	100 TYP		
2N3300	800	30	100/300	150	0.22	150/15	250		
2N5320	1000	75	30/130	500	0.5	500/50	50		
2N5321	1000	50	40/250	500	0.8	500/50	50		
2N697	600	40*	40/120	150	1.5	150/15	50		
2N699	600	80*	40/120	150	1.5	150/15	50		
2N3114	800	150	30	30	1.0	50/5	40		
2N2270	1000	45	50/200	150	0.9	150/15	100 TYP		
2N2405	1000	90	60/200	150	0.5	150/15	120 TYP		

General Transistor Corporation
 216 WEST FLORENCE AVENUE
 INGLEWOOD, CALIFORNIA 90301
 (213) 673-8422 • Telex 65-3474 • FAX (213) 672-2905

T-29-01
 T-35-01
 T-37-01

SMALL SIGNAL TRANSISTORS

PNP TRANSISTORS FOR LOW LEVEL, LOW NOISE APPLICATIONS

Type No.	Ptot (mW)	VCEO (V)	hFE@IC		VCE(SAT)		fr (MHz)	ts tOFF (ns)	PACKAGE •
			MIN/MAX	(mA)	(V) MAX	(mA)			
2N3962	360	60	100/300	0.01	0.25	10/0.5	40	3	TO-18
2N3963	360	80	100/300	0.01	0.25	10/0.5	40	3	
2N3964	360	45	250/500	0.01	0.25	10/0.5	50	2	
2N3965	360	60	250/500	0.01	0.25	10/0.5	50	2	

* hfe @ 1 kHz

NPN TRANSISTORS FOR LOW LEVEL, LOW NOISE APPLICATIONS

Type No.	Ptot (mW)	VCEO (V)	hFE@IC		VCE(SAT)		fr (MHz)	ts tOFF (ns)	PACKAGE •
			MIN/MAX	(mA)	(V) MAX	(mA)			
2N930	300	45	100/500	0.01	1	10/0.5	30	3	TO-18
2N2483	360	60	40/120	0.01	0.35	1/0.1	60	4	
2N2484	360	60	100/500	0.01	0.35	1/0.1	60	3	

* hfe @ 1 kHz

PNP TRANSISTORS FOR FAST AND ULTRA FAST SWITCHES

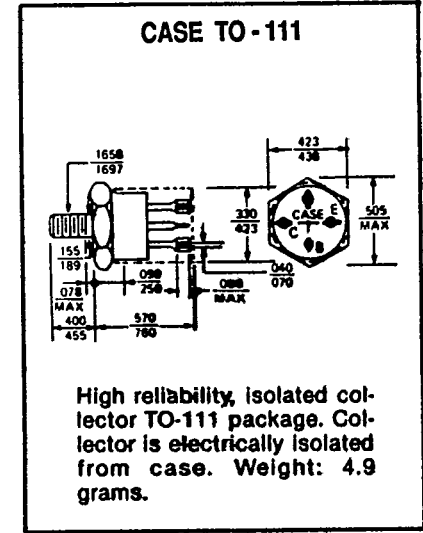
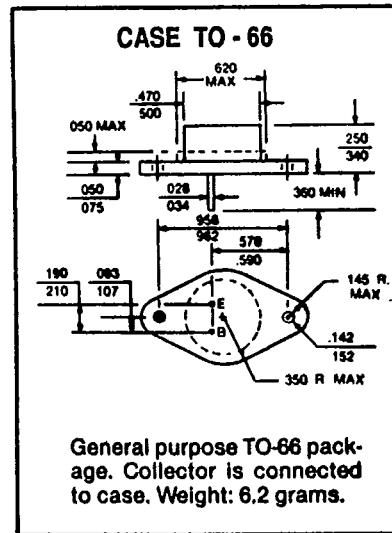
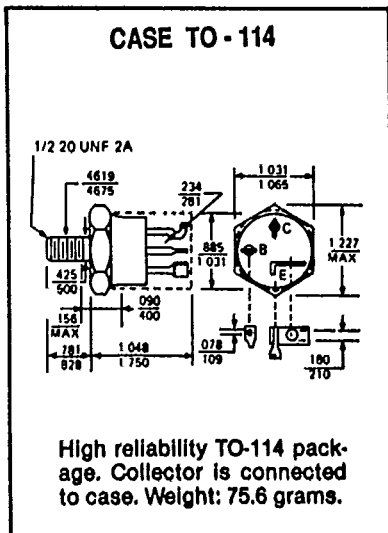
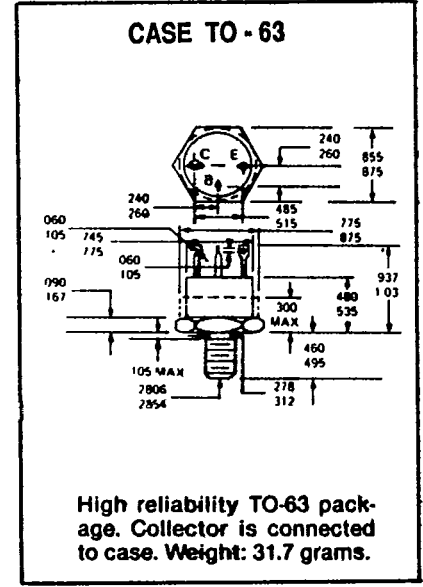
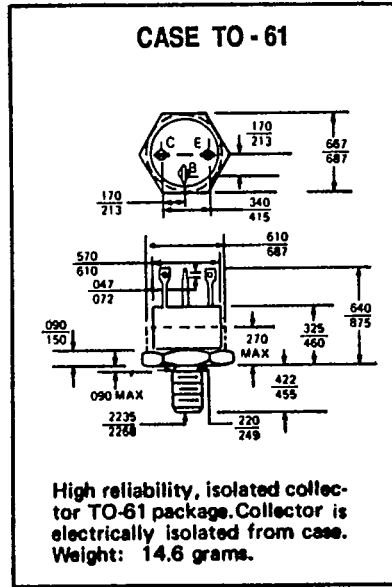
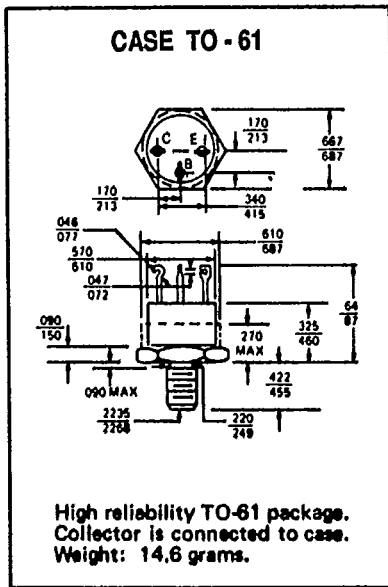
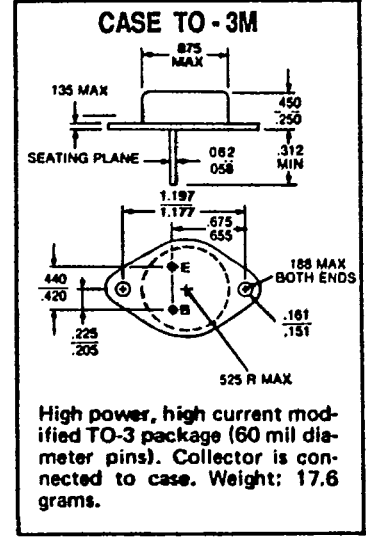
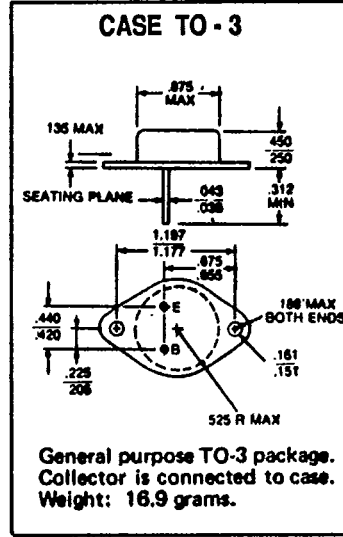
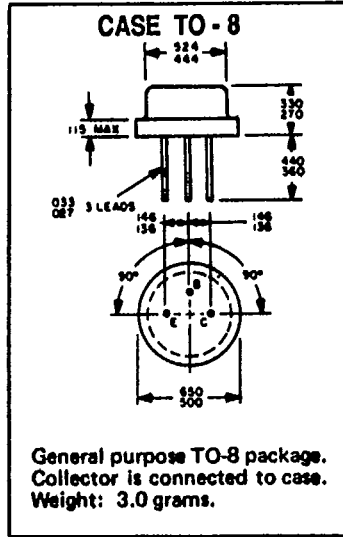
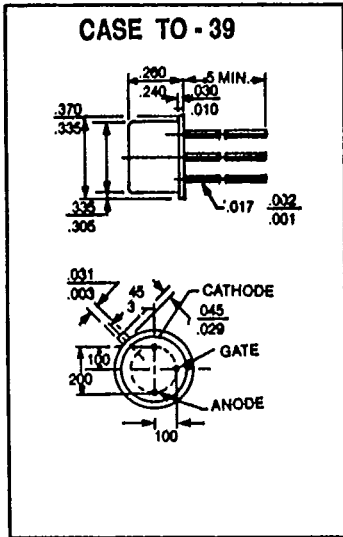
Type No.	Ptot (mW)	VCEO (V)	hFE@IC		VCE(SAT)		fr (MHz)	ts tOFF (ns)	PACKAGE •
			MIN/MAX	(mA)	(V) MAX	(mA)			
2N2894	360	12	40/120	30	0.2	100/10	400	90	TO-18
2N3209	360	20	30/120	30	0.2	30/3	400	90	

NPN TRANSISTORS FOR FAST AND ULTRA FAST SWITCHES

Type No.	Ptot (mW)	VCEO (V)	hFE@IC		VCE(SAT)		fr (MHz)	ts tOFF (ns)	PACKAGE •
			MIN/MAX	(mA)	(V) MAX	(mA)			
2N708	360	15	30/120	10	0.4	10/1	300	75*	TO-18
2N914	360	15	30/120	10	0.7	200/20	300	20	
2N2368	360	15	20/60	10	0.25	10/1	400	15*	
2N6369	360	15	40/120	10	0.25	10/1	500	13	
2N2369A	360	15	40/120	10	0.2	10/1	500	13	
2N2845	360	30	30/120	150	0.4	150/15	350	40*	
2N3013	360	15	25/-	100	0.5	300/30	350	18	
2N3014	360	20	30/120	30	0.18	100/10	350	18	
2N3724	800	30	60/150	100	0.20	100/10	300	60*	
2N3725	800	50	60/150	100	0.52	500/50	300	60*	

CASE OUTLINES

T-91-20



CASE OUTLINES

