




# EXAMPLE & ORDERING CODE

42R07- 3 1 2 1 - 150 - D3

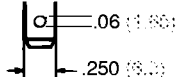
**MECHANICAL MOUNTING CONFIGURATION**

SIDE FLANGE		=1
CROSS FLANGE		=2
SNAP-IN		=3

**COLOR**  
Other colors available on request.







BLACK	=1
GRAY	=2

**QUICK CONNECT TERMINAL WIDTH**




=2

**ELECTRICAL CIRCUIT CONFIGURATION**

	16A 250V 65°C 2+Ground		=1
	16A 250V 155°C 2+Ground		=2
	16A 250V 65°C 2 Pole		=3

**PANEL THICKNESS (SNAP-INS ONLY)**

.06 (1.5mm)	=150
.08 (2.0mm)	=200
Additional panel thickness available on request. .10 (2.5mm)	=250

 Add Suffix D3 to Part Number for 20A, 250V =D3

Power connectors rated 16 Amp., 250 VAC, 65°C to 155°C operating temperature. Available 20A for UL and CSA. Units are available with quick connect terminal configurations. Designed for versatile mounting, 42R07 is available in screw or snap-in panel mount and three mechanical mounting configurations.

## SPECIFICATIONS

**MATERIAL AND FINISH:**

Housing:  
Material: Polycarbonate  
Rating: UL 94V-0

Contacts:  
Material: Brass  
Plating: Nickel

**ELECTRICAL SPECIFICATIONS:**

Insulation Resistance: 100 Megaohm min. @ 500 VDC

Dielectric Strength: 2000 VAC for 1 minute

Specifications subject to change without notice. (Metric dimensions are shown in parentheses.)  
See pages 293-300 for mating power cords.

IEC CONNECTORS

18

