

Fig.	Pinning	Package	Maximum Average Rect. Current (A)	Maximum Peak Reverse Voltage (V)	Peak Forward Surge Current (A)	Maximum Instant Forward Voltage (V)	Digi-Key Part No.	Cut Tape Pricing			Digi-Key Part No.	Tape and Reel								
								1	10	100		Qty.	Pricing							
Silicon Diodes																				
1	—	DO-41 (DO-204AL)	1.0	50	30	1.1	1N4001-E3/54GICT-ND0	—	69	5.52	1N4001-E3/54GITR-ND0	5,500	28.00/M							
				100	30	1.1	1N4002-E3/54GICT-ND	—	69	5.52	1N4002-E3/54GITR-ND	5,500	28.00/M							
				100	30	1.1	1N4002-E3/54GICT-ND0	—	69	5.52	1N4002-E3/54GITR-ND0	5,500	28.00/M							
				200	30	1.1	1N4003-E3/73GICT-ND0	.10	76	5.52	1N4003-E3/73GITR-ND0†	3,000	35.00/M							
				200	30	1.1	1N4003-E3/54GICT-ND0	—	69	5.52	1N4003-E3/54GITR-ND0	5,500	28.00/M							
				400	30	1.1	1N4004-E3/73GICT-ND0†	.05	41	3.45	—	—	—							
				400	30	1.1	1N4004-E3/54GICT-ND0	—	69	5.52	1N4004-E3/54GITR-ND0	5,500	28.00/M							
				600	30	1.1	1N4005-E3/54GICT-ND0	—	69	5.52	1N4005-E3/54GITR-ND0	5,500	28.00/M							
				800	30	1.1	1N4006-E3/54GICT-ND	—	69	5.52	1N4006-E3/54GITR-ND	5,500	28.00/M							
				800	30	1.1	1N4006-E3/54GICT-ND0	—	69	5.52	1N4006-E3/54GITR-ND0	5,500	28.00/M							
				1000	30	1.1	1N4007-E3/54GICT-ND0	—	69	5.52	1N4007-E3/54GITR-ND0	5,500	28.00/M							
				2	—	DO-201AD	3.0	50	200	1.2	1N5400-E3/54GICT-ND	.43	3.15	22.88	—	—				
								50	200	1.2	1N5400-E3/51G1-ND*0	.20	1.72	14.30	—	—				
								100	200	1.2	1N5401-E3/54GICT-ND	.43	3.15	22.88	1N5401-E3/54GITR-ND	1,400	143.00/M			
100	200	1.2	1N5401-E3/54GICT-ND0					.65	4.75	34.52	1N5401-E3/54GITR-ND0	1,400	216.00/M							
200	200	1.2	1N5402-E3/54GICT-ND					.43	3.15	22.88	1N5402-E3/54GITR-ND	1,400	143.00/M							
200	200	1.2	1N5402-E3/54GICT-ND0					.65	4.75	34.52	1N5402-E3/54GITR-ND0	1,400	216.00/M							
200	200	1.2	1N5402-E3/51G1-ND*0					.20	1.72	14.30	—	—								
400	200	1.2	1N5404-E3/51G1-ND*0					.20	1.72	14.30	—	—								
600	200	1.2	1N5406-E3/54GICT-ND					.65	4.75	34.52	1N5406-E3/54GITR-ND	1,400	216.00/M							
600	200	1.2	1N5406-E3/51G1-ND*0					.20	1.72	14.30	—	—								
800	200	1.2	1N5407-E3/54GICT-ND					.43	3.15	22.88	—	—								
800	200	1.2	1N5407-E3/51G1-ND*0					.20	1.72	14.30	—	—								
1000	200	1.2	1N5408-E3/54GICT-ND					.43	3.15	22.88	—	—								
1000	200	1.2	1N5408-E3/51G1-ND*0					.20	1.72	14.30	—	—								
Ultrafast Diodes – RoHS Compliant																				
2	—	DO-201AD	3.0	400	150	1.0	UF5404-E3/54G1-ND*	.48	4.08	34.03	—	—								
3	A	TO-220AC	8.0	600	80	3.0	UH8JT-E3/45WG1-ND*	1.73	14.87	123.93	—	—								
4	A (isolated)	TO-220AC	10	300	180	1.2	UH10FT-E3/4WG1-ND*	1.22	10.45	87.08	—	—								
5	B	D2PAK(TO-263AB)	8.0	600	80	3.0	UHFBJT-E3/45G1-ND*	1.70	14.55	121.28	—	—								
5	D	D2PAK(TO-263AB)	10	300	180	1.2	UHB10FT-E3/4WG1-ND*	1.32	11.30	94.13	—	—								
6	C	TO-220AB	2 x 10A	300	180	1.2	UHB20FCT-E3/4WG1-ND*	1.87	16.02	133.53	—	—								
6	C	TO-220AB	2 x 10A	300	180	1.2	UH20FCT-E3/4WG1-ND*	1.78	15.22	126.85	—	—								
Schottky Diodes																				
1	—	DO-41 (DO-204AL)	1.0	20	25	0.45	1N5817-E3/54GICT-ND0	.31	2.28	16.60	1N5817-E3/54GITR-ND0	5,500	83.00/M							
				30	25	0.55	1N5818-E3/54GICT-ND	.31	2.28	16.60	—	—								
				30	25	0.55	1N5818-E3/54GICT-ND0	.31	2.28	16.60	1N5818-E3/54GITR-ND0	5,500	83.00/M							
				30	25	0.55	1N5818-E3/1G1-ND*0	.15	1.25	10.38	—	—								
				40	25	0.60	1N5819-E3/51G1-ND*0	.15	1.25	10.38	—	—								
				40	25	0.60	1N5819-E3/54GICT-ND0	.31	2.28	16.60	1N5819-E3/54GITR-ND0	5,500	83.00/M							
				60	50	0.65	SB160-E3/1G1-ND*0	.18	1.53	12.78	—	—								
				2	—	DO-201AD	3.0	20	80	0.475	1N5820-E3/54GICT-ND	.74	5.40	39.28	1N5820-E3/54GITR-ND	1,400	187.00/M			
								30	80	0.500	1N5821-E3/54GICT-ND	.74	5.40	39.28	1N5821-E3/54GITR-ND	1,400	187.00/M			
								40	80	0.525	1N5822-E3/54GICT-ND	.74	5.40	39.28	—	—				
								40	80	0.525	1N5822-E3/51G1-ND*0	.34	2.95	24.55	—	—				
								40	80	0.525	1N5822-E3/54GICT-ND0	.74	5.40	39.28	1N5822-E3/54GITR-ND0	1,400	246.00/M			
								90	100	0.80	SB3H90-E3/54GICT-ND0	.41	3.48	29.03	SB3H90-E3/54GITR-ND0	1,400	174.00/M			
								100	100	0.80	SB3H100-E3/54GICT-ND0	.41	3.48	29.03	SB3H100-E3/54GITR-ND0	1,400	174.00/M			
2	—	DO-201AD	5.0					20	220	0.48	SB520-E3/54GICT-ND	.47	4.03	33.55	—	—				
								20	220	0.48	SB520-E3/51G1-ND*0	.47	4.03	33.55	—	—				
								30	220	0.48	SB530-E3/54GICT-ND	.47	4.03	33.55	SB530-E3/54GITR-ND	1,400	215.00/M			
								30	220	0.48	SB530-E3/51G1-ND*0	.47	4.03	33.55	—	—				
								40	220	0.48	SB540-E3/54GICT-ND	.47	4.03	33.55	SB540-E3/54GITR-ND	1,400	215.00/M			
								40	220	0.48	SB540-E3/51G1-ND*0	.47	4.03	33.55	—	—				
								50	220	0.65	SB550-E3/54GICT-ND	.54	4.64	38.70	—	—				
				50	220	0.65	SB550-E3/54GICT-ND0	.54	5.15	50.31	SB550-E3/54GITR-ND0	1,400	387.00/M							
				60	220	0.65	SB560-E3/54GICT-ND	.54	4.64	38.70	—	—								
				60	220	0.65	SB560-E3/51G1-ND*0	.54	4.64	38.70	—	—								
				60	220	0.65	SB560-E3/54GICT-ND0	1.16	8.51	61.92	SB560-E3/54GITR-ND0	1,400	387.00/M							
				5	D	D2PAK(TO-263AB)	2 x 20A	100	250	0.73	VB40100C-E3/4WG1-ND*0	3.24	27.78	231.50	—	—				
								150	160	0.96	MBR10H150CT-E3/45G1-ND*0	1.62	13.92	115.98	—	—				
								150	200	0.99	MBR20H150CT-E3/45G1-ND*0	1.72	14.78	123.15	—	—				
150	260	0.99	MBR30H150CT-E3/45G1-ND*0					3.04	26.09	217.43	—	—								
100	350	1.0	MBR60100CT-E3/45G1-ND*0					4.45	38.12	317.65	—	—								
100	250	0.73	VTS40100CT-E3/45G1-ND*0					2.89	24.78	206.50	—	—								
100	320	0.79	V60100C-E3/45G1-ND*0					3.14	26.88	224.00	—	—								
30	100	0.85	V30100S-E3/45G1-ND*0					1.73	14.81	123.38	—	—								
6	C	TO-220AB	2 x 20A					100	300	0.73	VF30100S-E3/45G1-ND*0	1.96	16.76	139.68	—	—				
								100	300	0.73	V40100P-E3/45G1-ND*0	3.60	30.86	257.18	—	—				
								100	350	0.78	V50100P-E3/45G1-ND*0	3.60	30.86	257.18	—	—				
								9	—	SMA	1.0	20	40	0.50	SS12-E3/61G1-ND*0	.18	1.54	12.83	—	—
												20	40	0.50	SS12-E3/1G1-ND*0	.15	1.31	10.93	—	—
												20	40	0.50	SS12-E3/61TGICT-ND0	.15	1.31	10.93	SS12-E3/61TGITR-ND0	1,800
				40	40	0.50	SS14-E3/61TGICT-ND0					.15	1.31	10.93	SS14-E3/61TGITR-ND0	1,800	66.00/M			
				60	40	0.75	SS16-E3/61TGICT-ND0					.16	1.38	11.50	SS16-E3/61TGITR-ND0	1,800	69.00/M			
				60	40	0.75	SS16-E3/1G1-ND*0					.16	1.38	11.50	—	—				
				60	40	0.75	SS16-E3/11GICT-ND0					.16	1.38	11.50	SS16-E3/11GITR-ND0	1,800	69.00/M			
				100	50	0.77	SS1H10-E3/61TGICT-ND0					.23	1.95	16.25	SS1H10-E3/61TGITR-ND0	1,800	98.00/M			
				400	40	1.1	ST1G-E3/1G1-ND*0					.09	.76	6.33	—	—				

RoHS Compliant * Bulk Pricing † Tape and Box

(Continued)

~ Exclusive Preview ~
New Product Available Now!

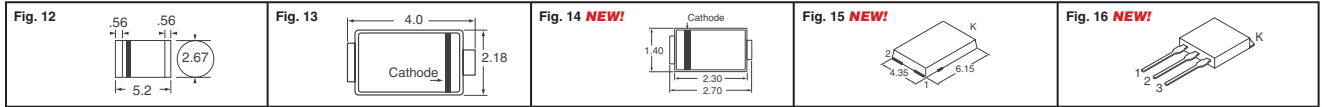


Fig.	Pinning	Package	Maximum Average Rect. Current (A)	Maximum Peak Reverse Voltage (V)	Peak Forward Surge Current (A)	Maximum Instant Forward Voltage (V)	Digi-Key Part No.	Cut Tape Pricing			Digi-Key Part No.	Tape and Reel	
								1	10	100		Qty.	Pricing
NEW! High Current Density Surface Mount Schottky Barrier Rectifiers – RoHS Compliant NEW!													
15	F	SMPC	10	40	280	0.51	SS10P4-E3/86AGICT-ND	.77	6.62	55.13	SS10P4-E3/86AGITR-ND	1,500	331.00/M
			3.0	40	150	0.47	SS3P4L-E3/86AGICT-ND	.48	4.14	34.53	SS3P4L-E3/86AGITR-ND	1,500	207.00/M
			3.0	60	150	0.60	SS3P6L-E3/86AGICT-ND	.48	4.14	34.53	SS3P6L-E3/86AGITR-ND	1,500	207.00/M
			5.0	100	150	0.88	SSSP10-E3/86AGICT-ND	.49	4.22	35.15	SSSP10-E3/86AGITR-ND	1,500	211.00/M
			5.0	30	150	0.52	SSSP3-E3/86AGICT-ND	.48	4.14	34.53	SSSP3-E3/86AGITR-ND	1,500	207.00/M
			5.0	60	150	0.69	SSSP6-E3/86AGICT-ND	.48	4.14	34.53	SSSP6-E3/86AGITR-ND	1,500	207.00/M
			8.0	20	150	0.57	SSSP2L-E3/86AGICT-ND	.52	4.43	36.90	SSSP2L-E3/86AGITR-ND	1,500	221.00/M
			8.0	30	150	0.57	SSSP3L-E3/86AGICT-ND	.52	4.43	36.90	SSSP3L-E3/86AGITR-ND	1,500	221.00/M
			8.0	100	150	0.90	SSSPH10-E3/86AGICT-ND	.52	4.43	36.90	SSSPH10-E3/86AGITR-ND	1,500	221.00/M
NEW! High Current Density Surface Mount Trench MOS Barrier Schottky Rectifiers – RoHS Compliant NEW!													
15	F	SMPC	10	100	180	0.68	V10P10-E3/86AGICT-ND	.91	7.80	65.00	V10P10-E3/86AGITR-ND	1,500	390.00/M
			12	100	200	0.70	V12P10-E3/86AGICT-ND	1.01	8.65	72.08	V12P10-E3/86AGITR-ND	1,500	432.00/M
			8	100	150	0.68	V8P10-E3/86AGICT-ND	.75	6.43	53.58	V8P10-E3/86AGITR-ND	1,500	321.00/M
NEW! High Voltage Trench MOS Barrier Schottky Rectifiers – RoHS Compliant NEW!													
5	B	TO-263AB	30	100	250	0.85	VB30100S-E3/8WGICT-ND	1.91	16.40	136.70	VB30100S-E3/8WGITR-ND	800	726.40
6	E	TO-220AB	20	100	150	0.97	V20100SG-E3/4WGI-ND	1.18	10.15	84.55	—	—	—
			20	120	150	1.23	V20120SG-E3/4WGI-ND	1.33	11.40	94.98	—	—	—
			30	120	300	0.95	V30120S-E3/45GI-ND	2.08	17.79	148.23	—	—	—
7	E	TO-220AB	20	100	250	0.85	VF20100S-E3/45GI-ND	1.54	13.17	109.78	—	—	—
16	E	TO-262AA	20	100	150	0.97	V120100SG-E3/4WGI-ND	1.28	10.94	91.13	—	—	—
NEW! Dual High Voltage Trench MOS Barrier Schottky Rectifiers – RoHS Compliant NEW!													
8	C	TO-247AD	60	100	350	0.79	V60100P-E3/45GI-ND	4.48	38.39	319.88	—	—	—

RoHS Compliant * Bulk Pricing † Tape and Box

Bridge Rectifiers

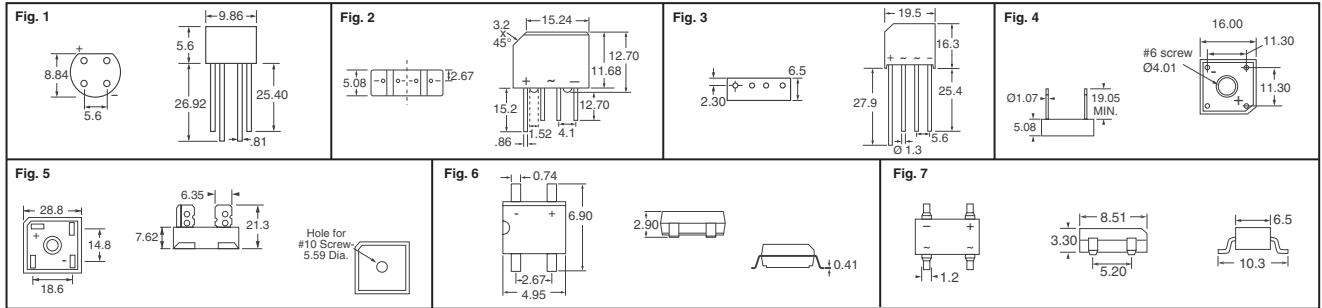


Fig.	Package	Maximum Average Rect. Current (A)	Maximum Peak Reverse Voltage (V)	Peak Forward Surge Current (A)	Maximum Instant Forward Voltage (V)	Digi-Key Part No.	Pricing					
							1	10	100			
Silicon and Glass Passivated Bridge Rectifiers												
1	W0G	1.5	50	1.0	1.0	W005G/1GI-ND	.61	5.19	43.23			
			50	50	1.0	W005G-E4/51GI-ND	.61	5.19	43.23			
			100	50	1.0	W01G-E4/51GI-ND	.61	5.19	43.23			
			100	50	1.0	W01G-E4/1GI-ND	.61	5.19	43.23			
			200	50	1.0	W02G-E4/51GI-ND	.61	5.19	43.23			
			200	50	1.0	W02G-E4/1GI-ND	.61	5.19	43.23			
			400	50	1.0	W04G/1GI-ND	.61	5.19	43.23			
			400	50	1.0	W04G-E4/51GI-ND	.61	5.19	43.23			
			600	50	1.0	W06G-E4/51GI-ND	.61	5.19	43.23			
			600	50	1.0	W06G-E4/1GI-ND	.61	5.19	43.23			
			800	50	1.0	W08G/1GI-ND	.61	5.19	43.23			
			800	50	1.0	W08G-E4/51GI-ND	.61	5.19	43.23			
1000	50	1.0	W10G/1GI-ND	.61	5.19	43.23						
1000	50	1.0	W10G-E4/51GI-ND	.61	5.19	43.23						
2	KBPM	2.0	50	60	1.1	2KBP005M-E4/51GI-ND	.69	5.89	49.05			
			100	60	1.1	2KBP01M/1GI-ND	.69	5.89	49.05			
			100	60	1.1	2KBP01M-E4/51GI-ND	.69	5.89	49.05			
			200	60	1.1	2KBP02M/1GI-ND	.69	5.89	49.05			
			200	60	1.1	2KBP02M-E4/1GI-ND	.69	5.89	49.05			
			400	60	1.1	2KBP04M/1GI-ND	.69	5.89	49.05			
			400	60	1.1	2KBP04M-E4/51GI-ND	.69	5.89	49.05			
			600	60	1.1	2KBP06M-E4/51GI-ND	.69	5.89	49.05			
			800	60	1.1	2KBP08M/1GI-ND	.69	5.89	49.05			
			1000	60	1.1	2KBP10M/51GI-ND	.69	5.89	49.05			
			1000	60	1.1	2KBP10M-E4/51GI-ND	.69	5.89	49.05			
			3	KBL	4.0	50	200	1.1	KBL005-E4/51GI-ND	1.32	11.28	94.00
100	200	1.1				KBL01/1GI-ND	1.32	11.28	94.00			
100	200	1.1				KBL01-E4/51GI-ND	1.32	11.28	94.00			
200	200	1.1				KBL02-E4/51GI-ND	1.50	9.40	69.56			
400	200	1.1				KBL04-E4/51GI-ND	1.32	11.28	94.00			
600	200	1.1				KBL06-E4/51GI-ND	1.32	11.28	94.00			
800	200	1.1				KBL08-E4/51GI-ND	.68	8.55	48.75			
800	200	1.1				KBL08-E4/1GI-ND	1.32	11.28	94.00			
1000	200	1.1				KBL10-E4/51GI-ND	1.32	11.28	94.00			
4	GBPC6	6.0				100	175	1.0	GBPC601-E4/51GI-ND	2.45	21.04	175.30
						200	175	1.0	GBPC602-E4/51GI-ND	2.45	21.04	175.30
						600	175	1.0	GBPC606-E4/51GI-ND	2.45	21.03	175.25
			800	175	1.0	GBPC608-E4/51GI-ND	2.45	21.04	175.30			
			1000	175	1.0	GBPC610-E4/51GI-ND	2.45	15.78	122.71			
5	GBPC	12	50	200	1.1	GBPC12005-E4/51GI-ND	5.51	47.21	393.43			
			100	200	1.1	GBPC1201/1GI-ND	5.51	47.21	393.43			
			100	200	1.1	GBPC1201-E4/51GI-ND	5.51	47.21	393.43			
			200	200	1.1	GBPC1202/1GI-ND	5.51	47.21	393.43			
			400	200	1.1	GBPC1204-E4/51GI-ND	5.51	47.21	393.43			
			600	200	1.1	GBPC1206-E4/51GI-ND	5.51	47.21	393.43			
			800	200	1.1	GBPC1208/1GI-ND	5.51	47.21	393.43			
			1000	200	1.1	GBPC1210-E4/51GI-ND	5.51	47.21	393.43			
			25	25	25	50	300	1.1	GBPC25005/1GI-ND	5.51	47.21	393.43
						50	300	1.1	GBPC25005-E4/51GI-ND	5.51	47.21	393.43
						100	300	1.1	GBPC2501-E4/51GI-ND	5.51	47.21	393.43
						400	300	1.1	GBPC2504-E4/51GI-ND	5.51	47.21	393.43
600	300	1.1				GBPC2506-E4/51GI-ND	5.51	47.21	393.43			
800	300	1.1				GBPC2508/1GI-ND	5.51	47.21	393.43			
800	300	1.1				GBPC2508-E4/1GI-ND	5.51	47.21	393.43			
35	35	35				50	400	1.1	GBPC35005/1GI-ND	6.37	54.59	454.90
						50	400	1.1	GBPC35005-E4/1GI-ND	6.37	54.59	454.90
						100	400	1.1	GBPC3501/1GI-ND	6.37	54.59	454.90
						100	400	1.1	GBPC3501-E4/51GI-ND	6.37	54.59	454.90
						200	400	1.1	GBPC3502-E4/1GI-ND	6.37	54.59	454.90
			400	400	1.1	GBPC3504/1GI-ND	6.37	54.59	454.90			
			400	400	1.1	GBPC3504-E4/51GI-ND	6.37	54.59	454.90			
			600	400	1.1	GBPC3506/1GI-ND	6.37	54.59	454.90			
			600	400	1.1	GBPC3506-E4/51GI-ND	6.37	54.59	454.90			
			800	400	1.1	GBPC3508/1GI-ND	6.37	54.59	454.90			
			800	400	1.1	GBPC3508-E4/51GI-ND	6.37	54.59	454.90			
			1000	400	1.1	GBPC3510/1GI-ND	6.37	54.59	454.90			
1000	400	1.1	GBPC3510-E4/51GI-ND	6.37	54.59	454.90						
6	TO-269AA	0.5	200	35	1.0	MB2S-E3/45GI-ND	.51	4.33	36.10			
Miniature Glass Passivated Single-Phase Surface Mount Bridge Rectifiers												
7	DFS	1.0	200	50	1.1	DF02S-E3/45GI-ND	.61	5.19	43.25			
			400	50	1.1	DF04S-E3/45GI-ND	.61	5.19	43.25			
			600	50	1.1	DF06S-E3/45GI-ND	.61	5.19	43.25			

RoHS Compliant

~ Exclusive Preview ~
New Product Available Now!