

December 1994

## High-Speed Drivers with JFET Switch

### Features

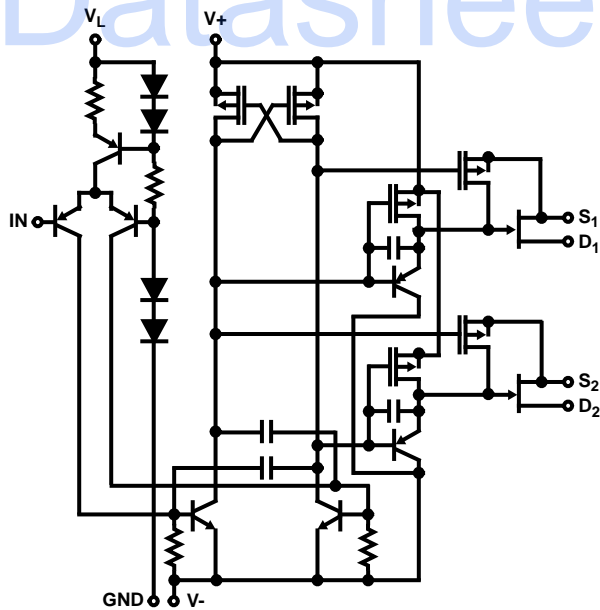
- Constant ON-Resistance for Signals to  $\pm 10V$  (DG182, DG185, DG188, DG191), to  $\pm 7.5V$  (All Devices)
- $\pm 15V$  Power Supplies
- $< 2nA$  Leakage from Signal Channel in Both ON and OFF States
- TTL, DTL, RTL Direct Drive Compatibility
- $t_{ON}, t_{OFF} < 150ns$ , Break-Before-Make Action
- Cross-Talk and Open Switch Isolation  $> 50dB$  at 10MHz (75 $\Omega$  Load)

### Description

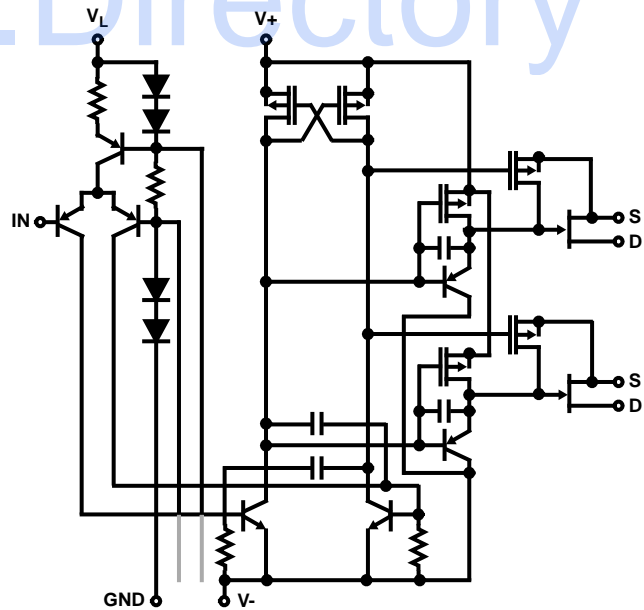
The DG181 thru DG191 series of analog gates consist of 2 or 4 N-channel junction-type field-effect transistors (JFET) designed to function as electronic switches. Level-shifting drivers enable low-level inputs (0.8V to 2V) to control the ON-OFF state of each switch. The driver is designed to provide a turn-off speed which is faster than turn-on speed, so that break-before-make action is achieved when switching from one channel to another. In the ON state, each switch conducts current equally well in both directions. In the OFF condition, the switches will block voltages up to 20V peak-to-peak. Switch-OFF input-output isolation 50dB at 10MHz, due to the low output impedance of the FET-gate driving circuit.

### Functional Diagrams (Typical Channel)

DG186, DG187, DG188 - ONE AND TWO CHANNEL SPDT AND SPST CIRCUIT CONFIGURATION



DG183, DG184, DG185 - TWO CHANNEL DPST CIRCUIT CONFIGURATION



## DG181 Series

### Ordering Information

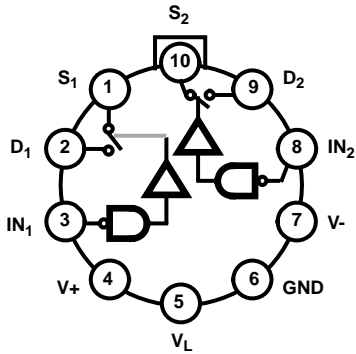
PART NUMBER	TYPE	R <sub>DS(ON)</sub> (MAX)	PACKAGE
DG181AA	Dual SPST	30Ω	10 Lead CAN
DG181AA/883B	Dual SPST	30Ω	10 Lead CAN
DG181AP	Dual SPST	30Ω	14 Lead SBDIP
DG181AP/883B	Dual SPST	30Ω	14 Lead SBDIP
DG181BA	Dual SPST	30Ω	10 Lead CAN
DG181BP	Dual SPST	30Ω	14 Lead SBDIP
DG182AA	Dual SPST	75Ω	10 Lead CAN
DG182AA/883B	Dual SPST	75Ω	10 Lead CAN
DG182AP	Dual SPST	75Ω	14 Lead SBDIP
DG182AP/883B	Dual SPST	75Ω	14 Lead SBDIP
DG182BA	Dual SPST	75Ω	10 Lead CAN
DG182BP	Dual SPST	75Ω	14 Lead SBDIP
DG184AP	Dual DPST	30Ω	16 Lead SBDIP
DG184AP/883B	Dual DPST	30Ω	16 Lead SBDIP
DG184BP	Dual DPST	30Ω	16 Lead SBDIP
DG185AP	Dual DPST	75Ω	16 Lead SBDIP
DG185AP/883B	Dual DPST	75Ω	16 Lead SBDIP
DG185BP	Dual DPST	75Ω	16 Lead SBDIP

### Ordering Information (Continued)

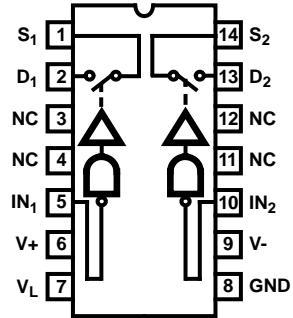
PART NUMBER	TYPE	R <sub>DS(ON)</sub> (MAX)	PACKAGE
DG187AA	SPDT	30Ω	10 Lead CAN
DG187AA/883B	SPDT	30Ω	10 Lead CAN
DG187AP	SPDT	30Ω	14 Lead SBDIP
DG187AP/883B	SPDT	30Ω	14 Lead SBDIP
DG187BA	SPDT	30Ω	10 Lead CAN
DG187BP	SPDT	30Ω	14 Lead SBDIP
DG188AA	SPDT	75Ω	10 Lead CAN
DG188AA/883B	SPDT	75Ω	10 Lead CAN
DG188AP	SPDT	75Ω	14 Lead SBDIP
DG188AP/883B	SPDT	75Ω	14 Lead SBDIP
DG188BA	SPDT	75Ω	10 Lead CAN
DG188BP	SPDT	75Ω	14 Lead SBDIP
DG190AP	Dual SPDT	30Ω	16 Lead SBDIP
DG190AP/883B	Dual SPDT	30Ω	16 Lead SBDIP
DG190BP	Dual SPDT	30Ω	16 Lead SBDIP
DG191AP	Dual SPDT	75Ω	16 Lead SBDIP
DG191AP/883B	Dual SPDT	75Ω	16 Lead SBDIP
DG191BP	Dual SPDT	75Ω	16 Lead SBDIP

**Pinouts and Switching State Diagrams**

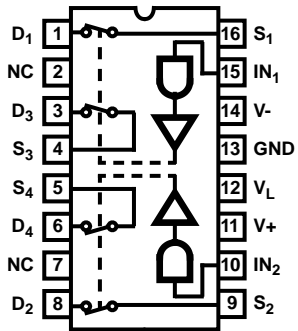
**DUAL SPST - DG181, DG182  
(TO-100 METAL CAN)  
TOP VIEW**



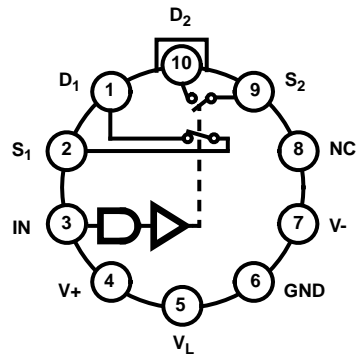
**DUAL SPST - DG181, DG182  
(CDIP)  
TOP VIEW**



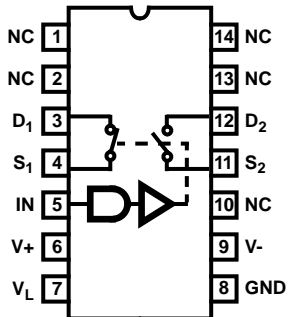
**DUAL DPST - DG184, DG185  
(CDIP)  
TOP VIEW**



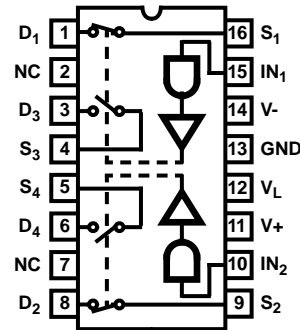
**SPDT - DG187, DG188  
(TO-100 METAL CAN)  
TOP VIEW**



**SPDT - DG187, DG188  
(CDIP)  
TOP VIEW**



**DUAL SPDT - DG190, DG191  
(CDIP)  
TOP VIEW**



## Specifications DG181 Series

### Absolute Maximum Ratings

V+ - V-	36V
V+ - V <sub>D</sub>	33V
V <sub>D</sub> - V-	33V
V <sub>D</sub> - V <sub>S</sub>	±22V
V <sub>L</sub> - V-	36V
V <sub>L</sub> - V <sub>IN</sub> , V <sub>L</sub> - GND, V <sub>IN</sub> - GND	8V
GND - V-	27V
GND - V <sub>IN</sub>	20V
Current (S or D) (Note 3)	200mA
Storage Temperature	-65°C to +150°C
Lead Temperature (Soldering, 10s)	+300°C

### Thermal Information

Operating Temperature	-55°C to +125°C
Maximum Power Dissipation †	
TO Metal Can Packages	450mW
Ceramic DIP Packages	Derate 6mW/°C above +75°C
	825mW
	Derate 11mW/°C above +75°C

† Device mounted with all leads welded or soldered to PC board.

*CAUTION: Stresses above those listed in "Absolute Maximum Ratings" may cause permanent damage to the device. This is a stress only rating and operation of the device at these or any other conditions above those indicated in the operational sections of this specification is not implied.*

### Electrical Specifications V+ = +15V, V- = -15V, V<sub>L</sub> = 5V, Unless Otherwise Specified

PARAMETER	DEVICE NUMBER	(NOTE 1) TEST CONDITIONS	A SERIES			B SERIES			UNITS
			-55°C	+25°C	+125°C	-20°C	+25°C	+85°C	
<b>SWITCH</b>									
I <sub>S(OFF)</sub>	DG181, DG182, DG184, DG185, DG187, DG188, DG190, DG191	V <sub>S</sub> = 10V, V <sub>D</sub> = -10V, V+ = 10V, V- = -20V, V <sub>IN</sub> = "OFF"	-	±1	100	-	±5	100	nA
	DG181, DG184, DG187, DG190	V <sub>S</sub> = 7.5V, V <sub>D</sub> = -7.5V, V <sub>IN</sub> = "OFF"	-	±1	100	-	±5	100	nA
	DG182, DG185, DG188, DG191	V <sub>S</sub> = 10V, V <sub>D</sub> = -10V, V <sub>IN</sub> = "OFF"	-	±1	100	-	±5	100	nA
I <sub>D(OFF)</sub>	DG181, DG182, DG184, DG185, DG187, DG188, DG190, DG191	V <sub>S</sub> = 10V, V <sub>D</sub> = -10V, V+ = 10V, V- = -20V, V <sub>IN</sub> = "OFF"	-	±1	100	-	±5	100	nA
	DG181, DG184, DG187, DG190	V <sub>S</sub> = 7.5V, V <sub>D</sub> = -7.5V, V <sub>IN</sub> = "OFF"	-	±1	100	-	±5	100	nA
	DG182, DG185, DG188, DG191	V <sub>S</sub> = 10V, V <sub>D</sub> = -10V, V <sub>IN</sub> = "OFF"	-	±1	100	-	±5	100	nA
I <sub>D(ON)</sub> + I <sub>S(ON)</sub>	DG181, DG184, DG187, DG190	V <sub>D</sub> = V <sub>S</sub> = -7.5V, V <sub>IN</sub> = "ON"	-	±2	-200	-	-10	-200	nA
	DG182, DG185, DG188, DG191	V <sub>D</sub> = V <sub>S</sub> = -10V, V <sub>IN</sub> = "ON"	-	±2	-200	-	-10	-200	nA
<b>INPUT</b>									
I <sub>INL</sub>	All	V <sub>IN</sub> = 0V	-250	-250	-250	-250	-250	-250	μA
I <sub>INH</sub>	All	V <sub>IN</sub> = 5V	-	10	20	-	10	20	μA
<b>DYNAMIC</b>									
t <sub>ON</sub>	30Ω Switches	See Switching Time Test Circuit	-	150	-	-	180	-	ns
	75Ω Switches		-	250	-	-	300	-	ns
t <sub>OFF</sub>	30Ω and 75Ω Switches		-	130	-	-	150	-	ns
C <sub>S(OFF)</sub>	DG181, DG182, DG184, DG185, DG187, DG188, DG190, DG191	V <sub>S</sub> = -5V, I <sub>D</sub> = 0, f = 1MHz	9 Typical						pF
		V <sub>D</sub> = +5V, I <sub>S</sub> = 0, f = 1MHz	6 Typical						pF
C <sub>D(ON)</sub> + C <sub>S(ON)</sub>		V <sub>D</sub> = V <sub>S</sub> = 0, f = 1MHz	14 Typical						pF
OFF Isolation		R <sub>L</sub> = 75Ω, C <sub>L</sub> = 3pF	Typically >50dB at 10MHz						-

## Specifications DG181 Series

### Electrical Specifications $V_+ = +15V, V_- = -15V, V_L = 5V$ , Unless Otherwise Specified (Continued)

PARAMETER	DEVICE NUMBER	(NOTE 1) TEST CONDITIONS	A SERIES			B SERIES			UNITS
			-55°C	+25°C	+125°C	-20°C	+25°C	+85°C	
SUPPLY									
I <sub>+</sub>	DG181, DG182, DG190, DG191	V <sub>IN</sub> = 5V	-	1.5	-	-	1.5	-	mA
	DG184, DG185		-	0.1	-	-	0.1	-	mA
	DG187, DG188		-	0.8	-	-	0.8	-	mA
I <sub>-</sub>	DG181, DG182, DG190, DG191		-	-5.0	-	-	-5.0	-	mA
	DG184, DG185		-	-4.0	-	-	-4.0	-	mA
	DG187, DG188		-	-3.0	-	-	-3.0	-	mA
I <sub>L</sub>	DG181, DG182, DG184, DG185, DG190, DG191		-	4.5	-	-	4.5	-	mA
	DG187, DG188		-	3.2	-	-	3.2	-	mA
I <sub>GND</sub>	All		-	-2.0	-	-	-2.0	-	mA
I <sub>+</sub>	DG181, DG182, DG190, DG191	V <sub>IN</sub> = 0V	-	1.5	-	-	1.5	-	mA
	DG184, DG185		-	3.0	-	-	3.0	-	mA
	DG187, DG188		-	0.8	-	-	0.8	-	mA
I <sub>-</sub>	DG181, DG182, DG190, DG191		-	-5.0	-	-	-5.0	-	mA
	DG184, DG185		-	-5.5	-	-	-5.5	-	mA
	DG187, DG188		-	-3.0	-	-	-3.0	-	mA
I <sub>L</sub>	DG181, DG182, DG184, DG185, DG190, DG191		-	4.5	-	-	4.5	-	mA
	DG187, DG188		-	3.2	-	-	3.2	-	mA
I <sub>GND</sub>	All		-	-2.0	-	-	-2.0	-	mA

NOTE:

- See Switching State Diagrams for V<sub>IN</sub> "ON" and V<sub>IN</sub> "OFF" Test Conditions.

### Electrical Specifications Maximum Resistances (R<sub>DS(ON)</sub> MAX)

DEVICE NUMBER	TEST CONDITIONS (NOTE 1) V <sub>+</sub> = 15V, V <sub>-</sub> = -15V, V <sub>L</sub> = 5V	MILITARY TEMPERATURE			INDUSTRIAL TEMPERATURE			UNITS	
		-55°C	+25°C	+125°C	-20°C	+25°C	+85°C		
DG181	V <sub>D</sub> = -7.5V	I <sub>S</sub> = -10mA, V <sub>IN</sub> = "ON"	30	30	60	50	50	75	Ω
DG182	V <sub>D</sub> = -10V		75	75	100	100	100	150	Ω
DG184	V <sub>D</sub> = -7.5V		30	30	60	50	50	75	Ω
DG185	V <sub>D</sub> = -10V		75	75	150	100	100	150	Ω
DG187	V <sub>D</sub> = -7.5V		30	30	60	50	50	75	Ω
DG188	V <sub>D</sub> = -10V		75	75	150	100	100	150	Ω
DG190	V <sub>D</sub> = -7.5V		30	30	60	50	50	75	Ω
DG191	V <sub>D</sub> = -10V		75	75	150	100	100	150	Ω

NOTES:

- See Switching State Diagrams for V<sub>IN</sub> "ON" and V<sub>IN</sub> "OFF" Test Conditions.
- Normally the minimum signal handling capability of the DG181 thru DG191 family is 20V peak to peak for the 75Ω switches and 15V peak-to-peak for the 30Ω (refer I<sub>D</sub> and I<sub>S</sub> tests above).
- For other Analog Signals, the following guidelines can be used: proper switch turn-off requires that V<sub>-</sub> ≤ V<sub>ANALOG(peak)</sub> - V<sub>P</sub> where V<sub>P</sub> = 7.5V for the 80Ω switches and V<sub>P</sub> = 5.0V for 75Ω switches e.g., -10V minimum (-peak) analog signal and a 75Ω switch (V<sub>P</sub> = 5V), requires that V<sub>-</sub> ≤ -10V -5V = -15V.

## DG181 Series

### DUAL SPST - DG181/182

TEST CONDITIONS	
V <sub>IN</sub> "ON" = 0.8V	All Channels
V <sub>IN</sub> "OFF" = 2.0V	All Channels

NOTE:

- Switch states are for logic "1" input = 2.0V.

### SPDT - DG187/188

TEST CONDITIONS	
V <sub>IN</sub> "ON" = 2.0V	Channel 1
V <sub>IN</sub> "ON" = 0.8V	Channel 2
V <sub>IN</sub> "OFF" = 2.0V	Channel 2
V <sub>IN</sub> "OFF" = 0.8V	Channel 1

NOTE:

- Switch states are for logic "1" input = 2.0V.

### DUAL DPST - DG184/185

TEST CONDITIONS	
V <sub>IN</sub> "ON" = 2.0V	All Channels
V <sub>IN</sub> "OFF" = 0.8V	All Channels

NOTE:

- Switch states are for logic "1" input = 2.0V.

### SPDT - DG190/191

TEST CONDITIONS	
V <sub>IN</sub> "ON" = 2.0V	Channel 1 and 2
V <sub>IN</sub> "ON" = 0.8V	Channel 3 and 4
V <sub>IN</sub> "OFF" = 2.0V	Channel 3 and 4
V <sub>IN</sub> "OFF" = 0.8V	Channel 1 and 2

NOTE:

- Switch states are for logic "1" input = 2.0V.

## Switching Time Test Circuits

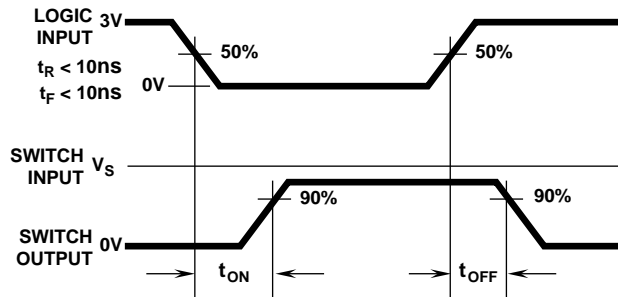


FIGURE 1. SWITCHING TIME TEST WAVEFORMS (Note 1)

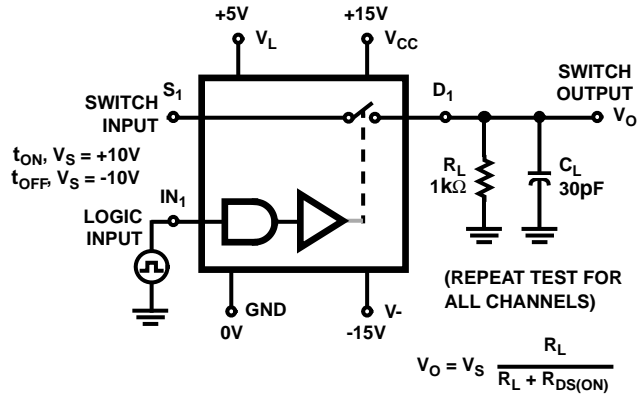


FIGURE 2. SWITCHING TIME TEST CIRCUIT (Note 2)

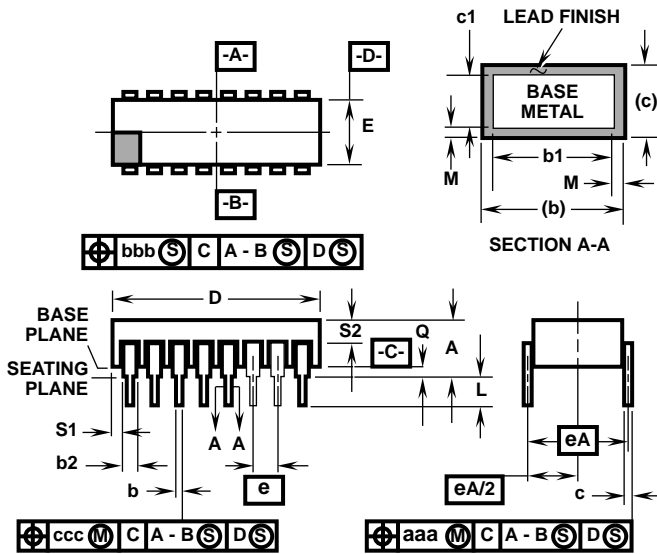
NOTES:

- Switch output waveform shown for  $V_S = \text{constant}$  with logic input waveform as shown.
- $V_S$  may be + or - as per switching time test circuit.  $V_O$  is the steady state output with switch on. Feedthrough via gate capacitance may result in spikes at leading and trailing edge of output waveform.

# DG181 Series

## Ceramic Dual-In-Line Metal Seal Packages (SBDIP)

### D14.3 MIL-STD-1835 CDIP2-T14 (D-1, CONFIGURATION C) 14 LEAD CERAMIC DUAL-IN-LINE METAL SEAL PACKAGE



**NOTES:**

1. Index area: A notch or a pin one identification mark shall be located adjacent to pin one and shall be located within the shaded area shown. The manufacturer's identification shall not be used as a pin one identification mark.
2. The maximum limits of lead dimensions b and c or M shall be measured at the centroid of the finished lead surfaces, when solder dip or tin plate lead finish is applied.
3. Dimensions b1 and c1 apply to lead base metal only. Dimension M applies to lead plating and finish thickness.
4. Corner leads (1, N, N/2, and N/2+1) may be configured with a partial lead paddle. For this configuration dimension b3 replaces dimension b2.
5. Dimension Q shall be measured from the seating plane to the base plane.
6. Measure dimension S1 at all four corners.
7. Measure dimension S2 from the top of the ceramic body to the nearest metallization or lead.
8. N is the maximum number of terminal positions.
9. Braze fillets shall be concave.
10. Dimensioning and tolerancing per ANSI Y14.5M - 1982.
11. Controlling dimension: INCH.

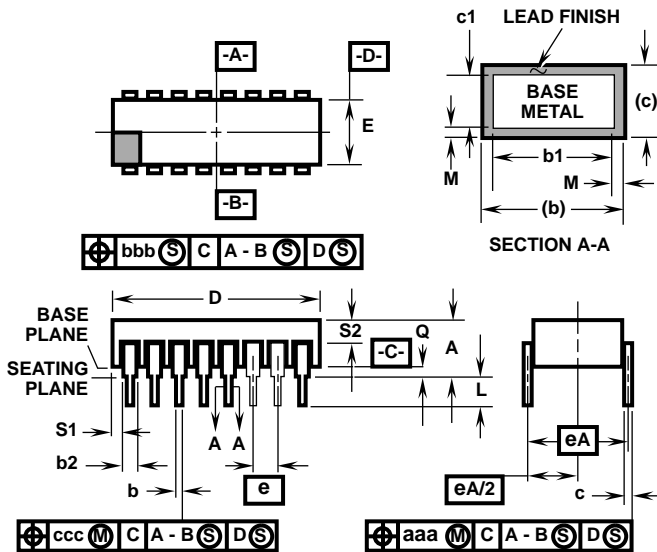
SYMBOL	INCHES		MILLIMETERS		NOTES
	MIN	MAX	MIN	MAX	
A	-	0.200	-	5.08	-
b	0.014	0.026	0.36	0.66	2
b1	0.014	0.023	0.36	0.58	3
b2	0.045	0.065	1.14	1.65	-
b3	0.023	0.045	0.58	1.14	4
c	0.008	0.018	0.20	0.46	2
c1	0.008	0.015	0.20	0.38	3
D	-	0.785	-	19.94	-
E	0.220	0.310	5.59	7.87	-
e	0.100 BSC		2.54 BSC		-
eA	0.300 BSC		7.62 BSC		-
eA/2	0.150 BSC		3.81 BSC		-
L	0.125	0.200	3.18	5.08	-
Q	0.015	0.060	0.38	1.52	5
S1	0.005	-	0.13	-	6
S2	0.005	-	0.13	-	7
$\alpha$	90°	105°	90°	105°	-
aaa	-	0.015	-	0.38	-
bbb	-	0.030	-	0.76	-
ccc	-	0.010	-	0.25	-
M	-	0.0015	-	0.038	2
N	14		14		8

Rev. 0 4/94

# DG181 Series

## Ceramic Dual-In-Line Metal Seal Packages (SBDIP)

### D16.3 MIL-STD-1835 CDIP2-T16 (D-2, CONFIGURATION C) 16 LEAD CERAMIC DUAL-IN-LINE METAL SEAL PACKAGE



**NOTES:**

1. Index area: A notch or a pin one identification mark shall be located adjacent to pin one and shall be located within the shaded area shown. The manufacturer's identification shall not be used as a pin one identification mark.
2. The maximum limits of lead dimensions b and c or M shall be measured at the centroid of the finished lead surfaces, when solder dip or tin plate lead finish is applied.
3. Dimensions b1 and c1 apply to lead base metal only. Dimension M applies to lead plating and finish thickness.
4. Corner leads (1, N, N/2, and N/2+1) may be configured with a partial lead paddle. For this configuration dimension b3 replaces dimension b2.
5. Dimension Q shall be measured from the seating plane to the base plane.
6. Measure dimension S1 at all four corners.
7. Measure dimension S2 from the top of the ceramic body to the nearest metallization or lead.
8. N is the maximum number of terminal positions.
9. Braze fillets shall be concave.
10. Dimensioning and tolerancing per ANSI Y14.5M - 1982.
11. Controlling dimension: INCH.

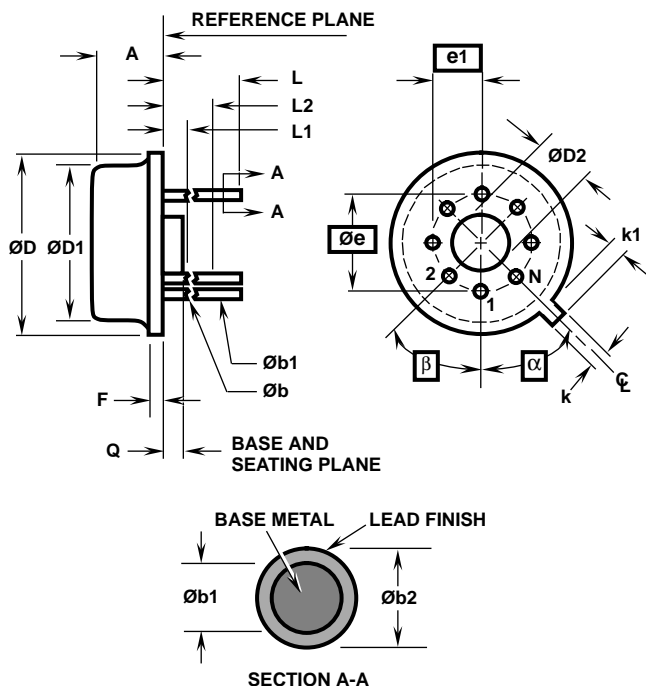
SYMBOL	INCHES		MILLIMETERS		NOTES
	MIN	MAX	MIN	MAX	
A	-	0.200	-	5.08	-
b	0.014	0.026	0.36	0.66	2
b1	0.014	0.023	0.36	0.58	3
b2	0.045	0.065	1.14	1.65	-
b3	0.023	0.045	0.58	1.14	4
c	0.008	0.018	0.20	0.46	2
c1	0.008	0.015	0.20	0.38	3
D	-	0.840	-	21.34	-
E	0.220	0.310	5.59	7.87	-
e	0.100 BSC		2.54 BSC		-
eA	0.300 BSC		7.62 BSC		-
eA/2	0.150 BSC		3.81 BSC		-
L	0.125	0.200	3.18	5.08	-
Q	0.015	0.060	0.38	1.52	5
S1	0.005	-	0.13	-	6
S2	0.005	-	0.13	-	7
$\alpha$	90°	105°	90°	105°	-
aaa	-	0.015	-	0.38	-
bbb	-	0.030	-	0.76	-
ccc	-	0.010	-	0.25	-
M	-	0.0015	-	0.038	2
N	16		16		8

Rev. 0 4/94



## DG181 Series

### Metal Can Packages (Can)



**NOTES:**

1. (All leads)  $\varnothing b$  applies between L1 and L2.  $\varnothing b1$  applies between L2 and 0.500 from the reference plane. Diameter is uncontrolled in L1 and beyond 0.500 from the reference plane.
2. Measured from maximum diameter of the product.
3.  $\alpha$  is the basic spacing from the centerline of the tab to terminal 1 and  $\beta$  is the basic spacing of each lead or lead position (N - 1 places) from  $\alpha$ , looking at the bottom of the package.
4. N is the maximum number of terminal positions.
5. Dimensioning and tolerancing per ANSI Y14.5M - 1982.
6. Controlling dimension: INCH.

**T10.B MIL-STD-1835 MACY1-X10 (A2)**  
**10 LEAD METAL CAN PACKAGE**

SYMBOL	INCHES		MILLIMETERS		NOTES
	MIN	MAX	MIN	MAX	
A	0.165	0.185	4.19	4.70	-
$\varnothing b$	0.016	0.019	0.41	0.48	1
$\varnothing b1$	0.016	0.021	0.41	0.53	1
$\varnothing b2$	0.016	0.024	0.41	0.61	-
$\varnothing D$	0.335	0.375	8.51	9.52	-
$\varnothing D1$	0.305	0.335	7.75	8.51	-
$\varnothing D2$	0.110	0.160	2.79	4.06	-
e	0.230 BSC		5.84 BSC		-
e1	0.115 BSC		2.92 BSC		-
F	-	0.040	-	1.02	-
k	0.027	0.034	0.69	0.86	-
k1	0.027	0.045	0.69	1.14	2
L	0.500	0.750	12.70	19.05	1
L1	-	0.050	-	1.27	1
L2	0.250	-	6.35	-	1
Q	0.010	0.045	0.25	1.14	-
$\alpha$	36° BSC		36° BSC		3
$\beta$	36° BSC		36° BSC		3
N	10		10		4

Rev. 0 5/18/94

*Harris Semiconductor products are sold by description only. Harris Semiconductor reserves the right to make changes in circuit design and/or specifications at any time without notice. Accordingly, the reader is cautioned to verify that data sheets are current before placing orders. Information furnished by Harris is believed to be accurate and reliable. However, no responsibility is assumed by Harris or its subsidiaries for its use; nor for any infringements of patents or other rights of third parties which may result from its use. No license is granted by implication or otherwise under any patent or patent rights of Harris or its subsidiaries.*

### Sales Office Headquarters

For general information regarding Harris Semiconductor and its products, call **1-800-4-HARRIS**

**UNITED STATES**

Harris Semiconductor  
 2401 Palm Bay Road N.E.  
 Palm Bay, Florida 32905  
 TEL: (407) 724-7000

**EUROPE**

Harris Semiconductor  
 Mercure Center  
 100, Rue de la Fusee  
 1130 Brussels, Belgium  
 TEL: (32) 2-724-2111

**SOUTH ASIA**

Harris Semiconductor H.K. Ltd.  
 13/F Fourseas Building  
 208-212 Nathan Road  
 Tsimshatsui, Kowloon  
 Hong Kong  
 TEL: (852) 723-6339

**NORTH ASIA**

Harris K.K.  
 Kojimachi-Nakata Bldg. 4F  
 5-3-5 Kojimachi  
 Chiyoda-ku, Tokyo 102 Japan  
 TEL: (81) 3-3265-7571  
 TEL: (81) 3-3265-7572 (Sales)

