

ZMM5221B~ZMM5267B

SURFACE MOUNT ZENER DIODES

VOLTAGE 2.4 to 75 Volts

POWER 500 mWatts

MINI-MELF/LL-34

Unit : inch (mm)

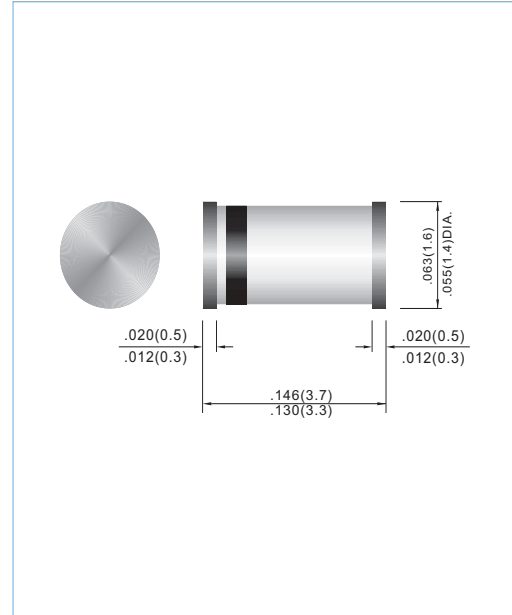
FEATURES

- Planar Die construction
- 500mW Power Dissipation
- Ideally Suited for Automated Assembly Processes
- In compliance with EU RoHS 2002/95/EC directives

MECHANICAL DATA

- Case: Molded Glass MINI-MELF
- Terminals: Solderable per MIL-STD-750, Method 2026
- Polarity: See Diagram Below
- Approx. Weight: 0.03 grams
- Mounting Position: Any
- Packing information

T/R - 2.5K per 7" plastic Reel



Datasheet Directory

MAXIMUM RATINGS AND ELECTRICAL CHARACTERISTICS

| Parameter | Symbol | Value | Units |
|-----------------------------------|------------------|-------------|-------|
| Power Dissipation at Tamb = 25 °C | P _{ROT} | 500 | mW |
| Junction Temperature | T _J | 175 | °C |
| Storage Temperature Range | T _S | -65 to +175 | °C |

Valid provided that leads at a distance of 10mm from case are kept at ambient temperature.

| Parameter | Symbol | Min. | Typ. | Max. | Units |
|--|------------------|------|------|------|-------|
| Thermal Resistance Junction to Ambient Air | R _{θJA} | -- | -- | 0.3 | K/mW |
| Forward Voltage at I _F = 200mA | V _F | -- | -- | 1.1 | V |

Valid provided that leads at a distance of 10mm from case are kept at ambient temperature.

ZMM5221B~ZMM5267B

| Part Number | Nominal Zener Voltage | | | Max. Zener Impedance | | | | Max Reverse Leakage Current | | Marking code |
|-------------|----------------------------------|--------|--------|-----------------------------------|-----|-----------------------------------|------|---------------------------------|-----|--------------|
| | V _Z @ I _{ZT} | | | Z _{ZT} @ I _{ZT} | | Z _{ZK} @ I _{ZK} | | I _R @ V _R | | |
| | Nom. V | Min. V | Max. V | Ω | mA | Ω | mA | uA | V | |
| ZMM5221B | 2.4 | 2.28 | 2.52 | 30 | 20 | 1200 | 0.25 | 100 | 1 | 5221 |
| ZMM5222B | 2.5 | 2.38 | 2.63 | 30 | 20 | 1250 | 0.25 | 100 | 1 | 5222 |
| ZMM5223B | 2.7 | 2.57 | 2.84 | 30 | 20 | 1300 | 0.25 | 75 | 1 | 5223 |
| ZMM5224B | 2.8 | 2.66 | 2.94 | 30 | 20 | 1400 | 0.25 | 75 | 1 | 5224 |
| ZMM5225B | 3 | 2.85 | 3.15 | 29 | 20 | 1600 | 0.25 | 50 | 1 | 5225 |
| ZMM5226B | 3.3 | 3.14 | 3.47 | 28 | 20 | 1600 | 0.25 | 25 | 1 | 5226 |
| ZMM5227B | 3.6 | 3.42 | 3.78 | 24 | 20 | 1700 | 0.25 | 15 | 1 | 5227 |
| ZMM5228B | 3.9 | 3.71 | 4.1 | 23 | 20 | 1900 | 0.25 | 10 | 1 | 5228 |
| ZMM5229B | 4.3 | 4.09 | 4.52 | 22 | 20 | 2000 | 0.25 | 5 | 1 | 5229 |
| ZMM5230B | 4.7 | 4.47 | 4.94 | 19 | 20 | 1900 | 0.25 | 5 | 2 | 5230 |
| ZMM5231B | 5.1 | 4.85 | 5.36 | 17 | 20 | 1600 | 0.25 | 5 | 2 | 5231 |
| ZMM5232B | 5.6 | 5.32 | 5.88 | 11 | 20 | 1600 | 0.25 | 5 | 3 | 5232 |
| ZMM5233B | 6.0 | 5.7 | 6.3 | 7 | 20 | 1600 | 0.25 | 5 | 3.5 | 5233 |
| ZMM5234B | 6.2 | 5.89 | 6.51 | 7 | 20 | 1000 | 0.25 | 5 | 4 | 5234 |
| ZMM5235B | 6.8 | 6.46 | 7.14 | 5 | 20 | 750 | 0.25 | 3 | 5 | 5235 |
| ZMM5236B | 7.5 | 7.13 | 7.88 | 6 | 20 | 500 | 0.25 | 3 | 6 | 5236 |
| ZMM5237B | 8.2 | 7.79 | 8.61 | 8 | 20 | 500 | 0.25 | 3 | 6.5 | 5237 |
| ZMM5238B | 8.7 | 8.27 | 9.14 | 8 | 20 | 600 | 0.25 | 3 | 6.5 | 5238 |
| ZMM5239B | 9.1 | 8.65 | 9.56 | 10 | 20 | 600 | 0.25 | 3 | 7 | 5239 |
| ZMM5240B | 10 | 9.5 | 10.5 | 17 | 20 | 600 | 0.25 | 3 | 8 | 5240 |
| ZMM5241B | 11 | 10.45 | 11.55 | 22 | 20 | 600 | 0.25 | 2 | 8.4 | 5241 |
| ZMM5242B | 12 | 11.4 | 12.6 | 30 | 20 | 600 | 0.25 | 1 | 9.1 | 5242 |
| ZMM5243B | 13 | 12.35 | 13.65 | 13 | 9.5 | 600 | 0.25 | 0.5 | 9.9 | 5243 |
| ZMM5244B | 14 | 13.3 | 14.7 | 15 | 9 | 600 | 0.25 | 0.1 | 10 | 5244 |
| ZMM5245B | 15 | 14.25 | 15.75 | 16 | 8.5 | 600 | 0.25 | 0.1 | 11 | 5245 |
| ZMM5246B | 16 | 15.2 | 16.8 | 17 | 7.8 | 600 | 0.25 | 0.1 | 12 | 5246 |
| ZMM5247B | 17 | 16.15 | 17.85 | 19 | 7.4 | 600 | 0.25 | 0.1 | 13 | 5247 |
| ZMM5248B | 18 | 17.1 | 18.9 | 21 | 7 | 600 | 0.25 | 0.1 | 14 | 5248 |
| ZMM5249B | 19 | 18.05 | 19.95 | 23 | 6.6 | 600 | 0.25 | 0.1 | 14 | 5249 |
| ZMM5250B | 20 | 19 | 21 | 25 | 6.2 | 600 | 0.25 | 0.1 | 15 | 5250 |
| ZMM5251B | 22 | 20.9 | 23.1 | 29 | 5.6 | 600 | 0.25 | 0.1 | 17 | 5251 |
| ZMM5252B | 24 | 22.8 | 25.2 | 33 | 5.2 | 600 | 0.25 | 0.1 | 18 | 5252 |
| ZMM5253B | 25 | 23.75 | 26.25 | 35 | 5 | 600 | 0.25 | 0.1 | 19 | 5253 |
| ZMM5254B | 27 | 25.65 | 28.35 | 41 | 4.6 | 600 | 0.25 | 0.1 | 21 | 5254 |
| ZMM5255B | 28 | 26.6 | 29.4 | 44 | 4.5 | 600 | 0.25 | 0.1 | 21 | 5255 |
| ZMM5256B | 30 | 28.5 | 31.5 | 49 | 4.2 | 600 | 0.25 | 0.1 | 23 | 5256 |
| ZMM5257B | 33 | 31.35 | 34.65 | 58 | 3.8 | 700 | 0.25 | 0.1 | 25 | 5257 |
| ZMM5258B | 36 | 34.2 | 37.8 | 70 | 3.4 | 700 | 0.25 | 0.1 | 27 | 5258 |
| ZMM5259B | 39 | 37.05 | 40.95 | 80 | 3.2 | 800 | 0.25 | 0.1 | 30 | 5259 |
| ZMM5260B | 43 | 40.85 | 45.15 | 93 | 3 | 900 | 0.25 | 0.1 | 33 | 5260 |
| ZMM5261B | 47 | 44.65 | 49.35 | 150 | 2.7 | 1000 | 0.25 | 0.1 | 36 | 5261 |
| ZMM5262B | 51 | 48.45 | 53.55 | 125 | 2.5 | 1100 | 0.25 | 0.1 | 39 | 5262 |
| ZMM5263B | 56 | 53.2 | 58.8 | 150 | 2.2 | 1300 | 0.25 | 0.1 | 43 | 5263 |
| ZMM5264B | 60 | 57 | 63 | 170 | 2.1 | 1400 | 0.25 | 0.1 | 46 | 5264 |
| ZMM5265B | 62 | 58.9 | 65.1 | 185 | 2 | 1400 | 0.25 | 0.1 | 47 | 5265 |
| ZMM5266B | 68 | 64.6 | 71.4 | 230 | 1.8 | 1600 | 0.25 | 0.1 | 52 | 5266 |
| ZMM5267B | 75 | 71.25 | 78.75 | 270 | 1.7 | 1700 | 0.25 | 0.1 | 56 | 5267 |

Notes.

STANDARD VOLTAGE TOLERANCE IS ± 5% AND :

SUFFIX " A " FOR ± 3%

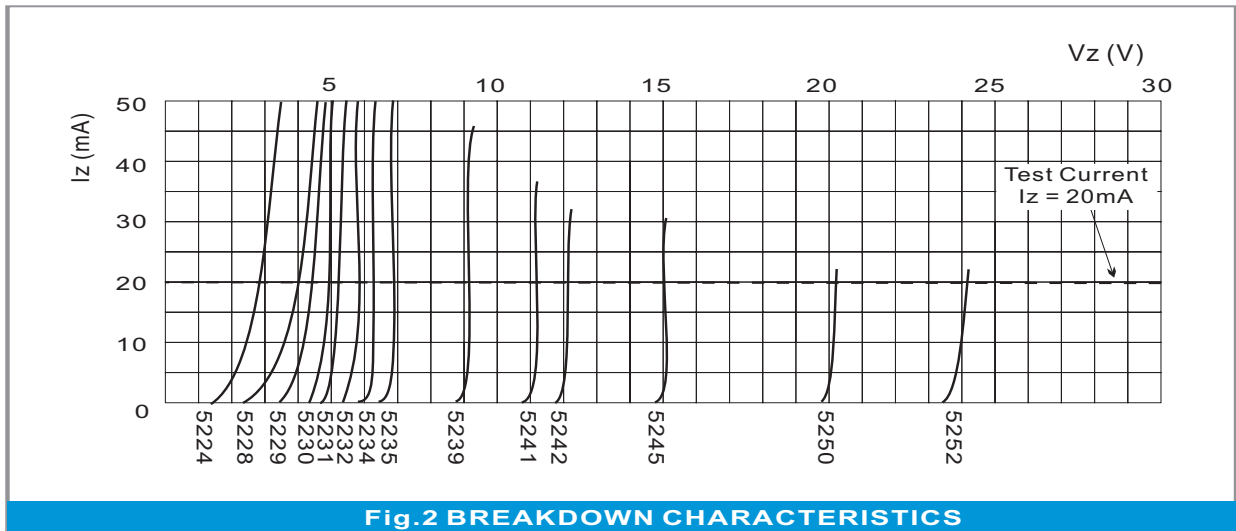
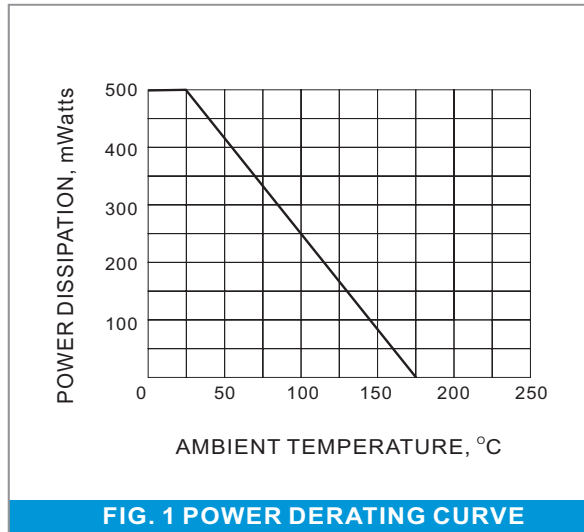
SUFFIX " B " FOR ± 5%

SUFFIX " C " FOR ± 10%

SUFFIX " D " FOR ± 20%

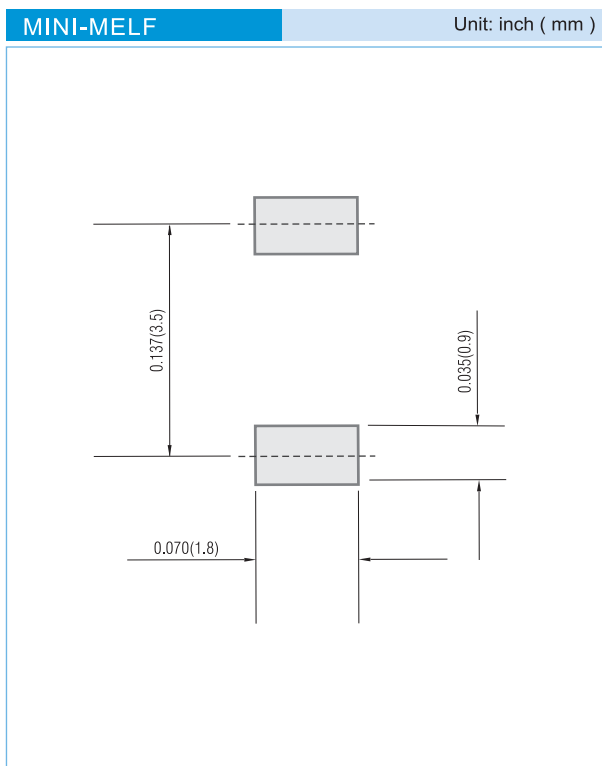
ZMM5221B~ZMM5267B

RATING AND CHARACTERISTIC CURVES



ZMM5221B~ZMM5267B

MOUNTING PAD LAYOUT



ORDER INFORMATION

- Packing information
 - T/R - 10K per 13" plastic Reel
 - T/R - 2.5K per 7" plastic Reel

LEGAL STATEMENT

Copyright PanJit International, Inc 2009

The information presented in this document is believed to be accurate and reliable. The specifications and information herein are subject to change without notice. Pan Jit makes no warranty, representation or guarantee regarding the suitability of its products for any particular purpose. Pan Jit products are not authorized for use in life support devices or systems. Pan Jit does not convey any license under its patent rights or rights of others.