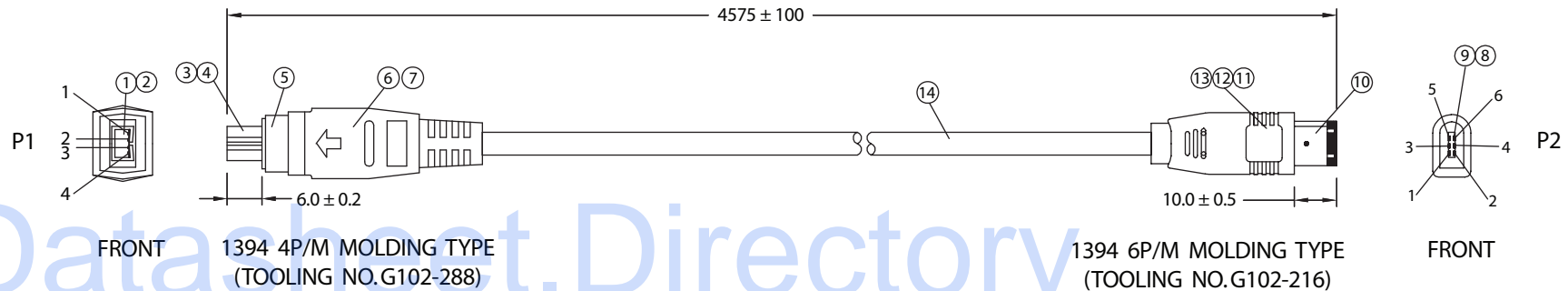
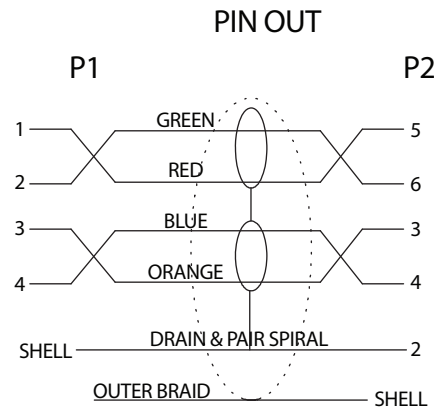
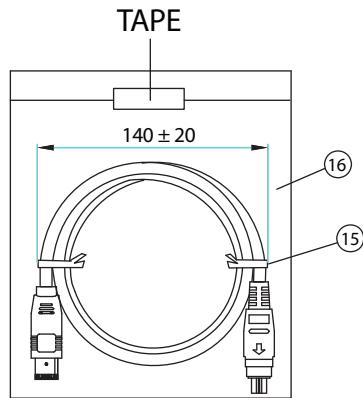


REVISION			
REV.	DESCRIPTION	DATE	APPROVED
A	Deleted AWG Rating Next to P2 Pin Out / Changed Cable Spec From 30 AWG to 28 AWG	03-12-07	DP



Dataset.Directory



No.	PARTS NAME	SPECIFICATION STANDARD	QTY	REMARKS
①	4P/M - CONTACT	PHOSPHOR BRONZE / GOLD PLATED	4	
②	4P/M - INSULATOR	PBT / BLACK UL94V-0	1	
③	4P/M - SHELL 1	SHELL / GOLD PLATED	1	
④	4P/M - SHELL 2	SHELL / GOLD PLATED	1	
⑤	SLIPCOVER	PBT / TRANSPARENT	1	
⑥	COPPER FOIL	BOTH SIZES FOR SPECIAL ELECTRIC	1	
⑦	4P/M - OUTER MOLD	45P PVC / COLOR: BLACK	1	
⑧	6P/M - CONTACT	PHOSPHOR BRONZE / GOLD PLATED	6	
⑨	6P/M - INSULATOR	PBT / BLACK UL94V-0	1	
⑩	6P/M - SHELL 1 & 2	SHELL / GOLD PLATED	1	
⑪	COPPER FOIL	BOTH SIZES FOR SPECIAL ELECTRIC	1	
⑫	6P/M - INNER MOLD	LDPE / NATURAL	1	
⑬	6P/M - OUTER MOLD	45P PVC / COLOR: BLACK	1	
⑭	CABLE UL20276	KL02004ABK01D	1	
⑮	MINI TIE	PE / BLACK	2	
⑯	POLYBAG	PE / 0.8x180x200mm	1	

NOTES:

- CABLE: UL20276 28AWG IEEE1394
[(28AWGx1P+FOIL+SP)x2+DW+FILLER+MYLAR+BD]x1
OUTER JACKET: BLACK, OD: 5.7 ± 0.2mm
PRINTING: "E166307 AWM STYLE 20276 28AWG
VW-1 IEEE AV 1394 COMPLIANT"
- CONNECTORS: IEEE 1394 4P MALE TO IEEE 1394 6P MALE
- HOOD: MOLDED TYPE, COLOR: BLACK
- ELECTRICAL TEST:
<1>.100% OPEN SHORT & MISS WIRE TEST
<2>.INSULATION RESISTANCE: DC400V 10M ohm MIN.
<3>.CONDUCTOR RESISTANCE: 1 ohm MAX.
- PACKING: 1PC/POLYBAG

Dim range (mm)	Tolerance +/- (mm)	Qualtek Electronics Corp. WCT DIVISION		
		Part Number: 1821021-15		
0-1	0.15	Description: IEEE 1394 4P/M - IEEE1394 6P/M		
1-6	0.20	REV. A		
6-18	0.30			
18-50	0.50	REV. A		
50-120	0.70			
120-250	0.90	Drawn / Date	Checked / Date	Approved / Date
250-500	1.20	B.Grubb 01-25-07	01-25-07	JJH / 01-25-07