

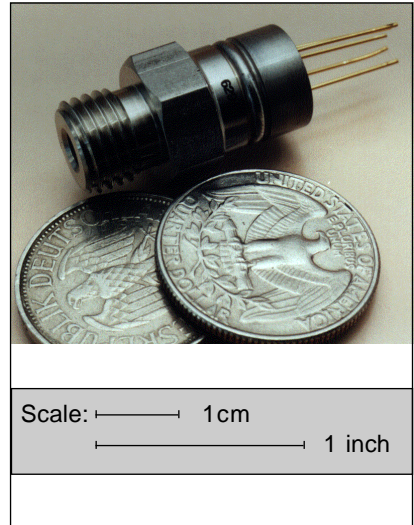
### FEATURES

- 0 ... 1000 to  
0 ... 5000 psia
- Low Cost
- Isolated
- Rugged - Stainless Steel
- Small Size
- Absolute Pressure
- Reliable Semiconductor Technology

### GENERAL DESCRIPTION

These stainless steel devices were developed for pressure applications that involve measurement of a hostile media in harsh environments. These sensors will accommodate any media that will not adversely attack 316 stainless steel. This series uses SenSym's proven piezoresistive semiconductor sensor chip in an oil isolated housing. This design has proven to be highly reliable, stable and accurate.

The 13U series sensors feature either a weld ring collar or threaded mail port for pressure connection.

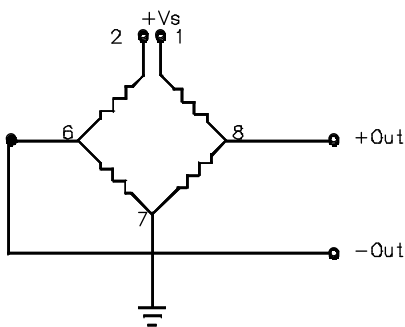


### APPLICATIONS

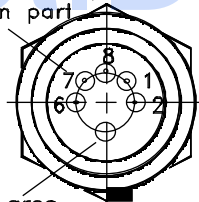
- OEM industrial process control

### ELECTRICAL CONNECTIONS

#### EQUIVALENT CIRCUIT

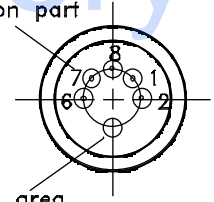


Pin Nos. for ref. only,  
not market on part



13U... Cell

Pin Nos. for ref. only,  
not market on part



13U... with Port

### PRESSURE SENSOR CHARACTERISTICS (all devices)

#### Environmental Specifications

Temperature Ranges:

Operating  
Storage

-10°C to +85°C  
-20°C to +125°C

Shock:

75G for 6 msec

Insulation Resistance:

100 MΩ at 50 vdc

Vibration:

17g RMS

#### Maximum Ratings

Supply Voltage  $V_s$

+7.5  $V_{DC}$

# 13U... - Series

## Stainless Steel Isolated Pressure Sensor Cells



### PRESSURE RANGE SPECIFICATIONS

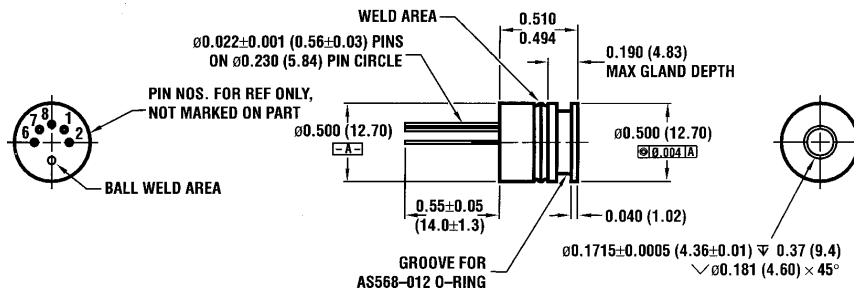
Sensym Part Number	Pressure Range	Burst Pressure
13U1000A(C,M)	0-1000 PSIA	10,000 PSIA
13U2500A(C,M)	0-2500 PSIA	10,000 PSIA
13U5000A(C,M)	0-5000 PSIA	10,000 PSIA

### PERFORMANCE CHARACTERISTICS<sup>1</sup>

Characteristic	Min.	Typ.	Max.	Unit
Zero Pressure Offset $T_A = 72^\circ\text{F}$	-20	0	+20	mV
Full-scale Span <sup>2</sup>	100	150	200	mV
Combined Linearity and Hysteresis <sup>3</sup>	---	0.2	1.0	%FS
Temperature Coefficient of Span	-2600	-2300	-2000	ppm/ $^\circ\text{C}$
Temperature Coefficient of Resistance <sup>4</sup>	+690	+750	+810	ppm/ $^\circ\text{C}$
Temperature Effect on Offset <sup>4</sup>	---	+4	---	$\mu\text{V}/\text{V}/^\circ\text{C}$
Long Term Stability of Offset and Sensitivity <sup>5</sup>	---	0.1	---	%FS
Response Time (10% to 90%) <sup>6</sup>	---	0.1	---	ms
Input Impedance $T_A = 25^\circ\text{C}$	---	4.0	---	$\text{k}\Omega$
Output Impedance	---	4.0	---	$\text{k}\Omega$
Repeatability <sup>4</sup>	---	0.1	---	%FS

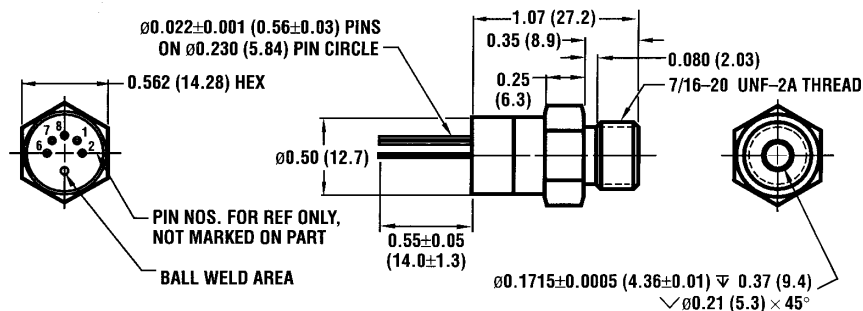
### PHYSICAL DIMENSIONS

#### Cell package



Mass: 11 g

#### Ported Male package



Mass: 23 g

Dimensions in inches (mm)

January 1998/073

**SPECIFICATION NOTES:**

1. Reference conditions (unless otherwise noted): Supply Voltage,  $V_s = 5 V_{DC}$ ;  $T_A = 25^\circ C$ ;
2. Span is the algebraic difference between the output voltage at full scale pressure and the output at zero pressure. Span is ratiometric to the supply voltage
3. Linearity is based on best fit straight line. Hysteresis is the maximum output difference at any point within the operating pressure range for increasing and decreasing pressure.
4. Typical error of the offset voltage over the 0 to 50°C reading. Note, the typical temperature coefficients of span and resistance are based on best fit line between 0 to 50°C.
5. Long term stability over a one year period.
6. Response time for 0 psi to full scale span pressure step change

**ORDERING INFORMATION**

<b>Pressure range</b>	<b>cell</b>	<b>male port</b>
0 to 1,000 psi	13U1000AC	13U1000AM
0 to 2,500 psi	13U2500AC	13U2500AM
0 to 5,000 psi	13U5000AC	13U5000AM

SenSym and Sensortechincs reserve the right to make changes to any products herein. SenSym and Sensortechincs do not assume any liability arising out of the application or use of any product or circuit described herein, neither does it convey any license under its patent rights nor the rights of others.