

T-01-21

MOTOROLA SEMICONDUCTOR TECHNICAL DATA

**MR5005 MR5010
MR5020 MR5030
MR5040**

INDUSTRIAL PRESSFIT SILICON POWER RECTIFIERS

... designed for use in all medium current applications or for higher current industrial alternators and chassis mounted power supply rectifiers.

- 50 Amp @ $T_C = 150^\circ\text{C}$
- 600 Amp Surge Capability
- Reverse Polarity Available
- Rugged Construction

SILICON POWER RECTIFIERS

50-400 VOLTS
50 AMPERE



3

MAXIMUM RATINGS

Rating	Symbol	MR5005	MR5010	MR5020	MR5030	MR5040	Unit
Peak Repetitive Reverse Voltage	V_{RRM}	50	100	200	300	400	Volts
Working Peak Reverse Voltage DC Blocking Voltage	V_{RWM} V_R						
Non Repetitive Peak Reverse Voltage	V_{RSM}	75	150	250	400	450	Volts
RMS Reverse Voltage	$V_{R(RMS)}$	35	70	140	210	280	Volts
Average Rectified Forward Current (Single phase, resistive load, $T_C = 150^\circ\text{C}$)	I_O	← 50 →					Amp
Non Repetitive Peak Surge Current (Surge applied at rated load conditions)	I_{FSM}	← 600 →					Amp
Operating and Storage Junction Temperature Range	T_J, T_{stg}	← -65 to +195 →					$^\circ\text{C}$

THERMAL CHARACTERISTICS

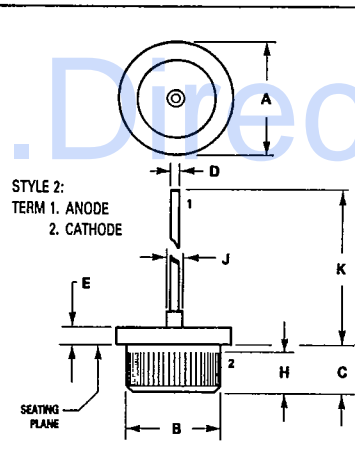
Characteristic	Symbol	Max	Unit
Thermal Resistance, Junction to Case	$R_{\theta JC}$	0.8	$^\circ\text{C/W}$

ELECTRICAL CHARACTERISTICS

Characteristic	Symbol	Min	Typ	Max	Unit
Instantaneous Forward Voltage ($I_F = 157 \text{ Amp}, T_J = 25^\circ\text{C}$) ($I_F = 50 \text{ Amp}, T_J = 25^\circ\text{C}$)	V_F	—	1.10 0.95	1.18 1.00	Volts
Reverse Current (rated dc voltage) ($T_C = 25^\circ\text{C}$) ($T_C = 150^\circ\text{C}$)	I_R	—	0.05 1.0	0.2 2.0	mA

MECHANICAL CHARACTERISTICS

- CASE:** Welded hermetically sealed construction
- FINISH:** All external surfaces corrosion resistant, terminals readily solderable
- WEIGHT:** 9 grams (approx.)
- POLARITY:** Cathode connected to case (reverse polarity available denoted by Suffix R, i.e.: MR5030R)
- MOUNTING POSITION:** Any



- NOTES:
1. 50 TPI STRAIGHT KNURL
2. POLARITY, INK MARKED ON PACKAGE.

DIM	MILLIMETERS		INCHES	
	MIN	MAX	MIN	MAX
A	15.49	16.25	0.610	0.640
B	12.73	12.83	0.501	0.505
C	5.08	6.35	0.200	0.250
D	2.46	2.62	0.097	0.103
E	2.03	4.83	0.080	0.190
H	5.08	6.35	0.200	0.250
J	—	3.56	—	0.140
K	—	15.24	—	0.600

CASE 43-04
METAL

MR5005, MR5010, MR5020, MR5030, MR5040

FIGURE 1 - CURRENT DERATING

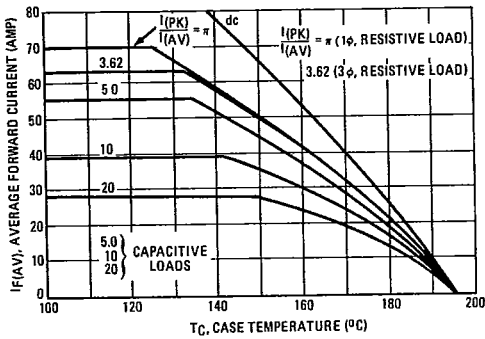


FIGURE 2 - FORWARD POWER DISSIPATION

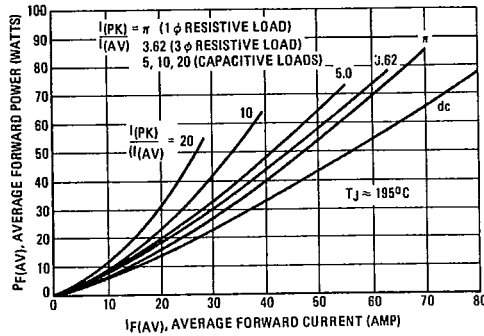


FIGURE 3 - MAXIMUM FORWARD VOLTAGE

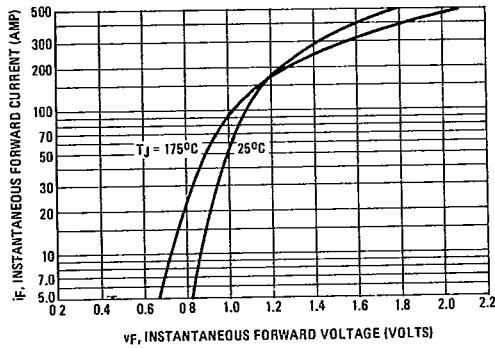


FIGURE 4 - MAXIMUM NON-REPETITIVE SURGE CAPABILITY

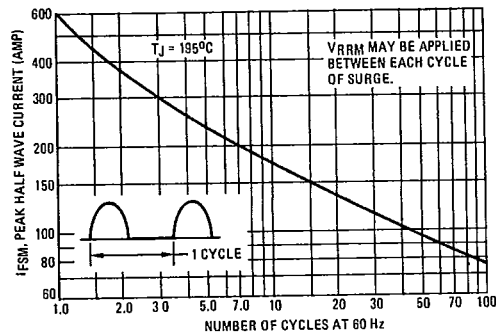
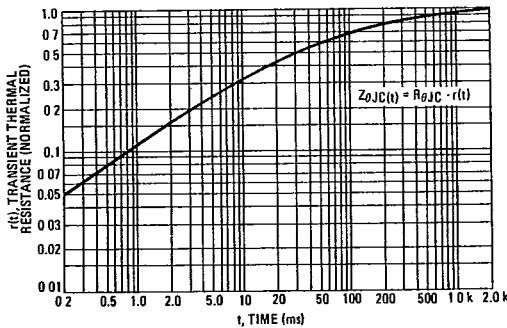


FIGURE 5 - THERMAL RESPONSE



Recommended procedures for mounting are as follows.

- 1 Drill a hole in the heat sink 0.499 ± 0.001 inch in diameter
- 2 Break the hole edge as shown to provide a guide into the hole and prevent shearing off the knurled side of the rectifier.
- 3 The depth and width of the break should be 0.010 inch maximum to retain maximum heat sink surface contact.
- 4 To prevent damage to the rectifier during press in, the pressing force should be applied only on the shoulder ring of the rectifier case as shown.
- 5 The pressing force should be applied evenly about the shoulder ring to avoid tilting or canting of the rectifier case in the hole during the press operation. Also, the use of a thermal lubricant such as D.C. 340 will be of considerable aid.

