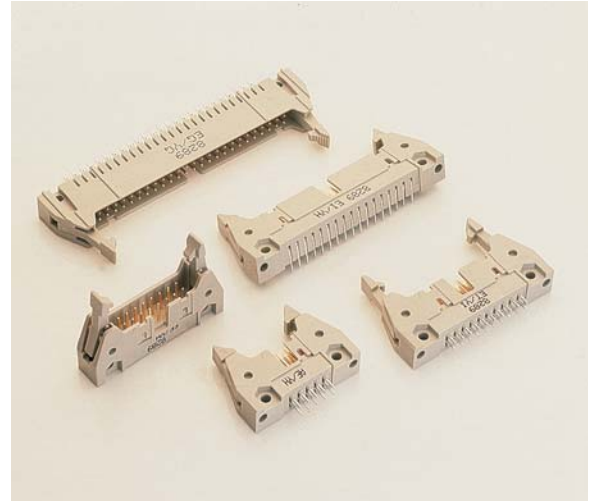


Ejector Style Header



Series 8289

Available in industry standard sizes of 10-64 positions, they mate to AVX Series 8290 IDC sockets, as well as other industry compatible connectors. Solder or press-fit contacts are available in either straight or right angle formats. The four wall design and optional molded in polarizing keys ensure positive polarization without pin loss. Latch/eject levers can also be specified to suit the mating Series 8290 socket, either with or without strain relief. Stand-off are incorporated to facilitate flux washing and de-gassing.



TECHNICAL SPECIFICATION

Material:

Molding - UL94VO rated glass filled grey polyester

Contact - Phosphor bronze

Contact Plating:

Selective gold over nickel plating on the mating face, pure tin in IDC section

Latch/Eject Levers**Part Numbers when ordered separately.**

Long (For 8290 socket with strain relief) 60 8289 6301 00 000
Short (For 8290 socket without strain relief) 60 8289 6302 00 000

Current Rating:

1 ampere at 70°C maximum ambient

Voltage Rating:

350V DC or AC peak

Contact Resistance:

Initially 10 milliohms maximum

Dielectric Withstanding Voltage:

1050 DC or AC peak

Insulation Resistance:

>1000 megohms

Operating Temperature:

-55°C to +125°C

UL File No. E90723

CSA File No. 1255749

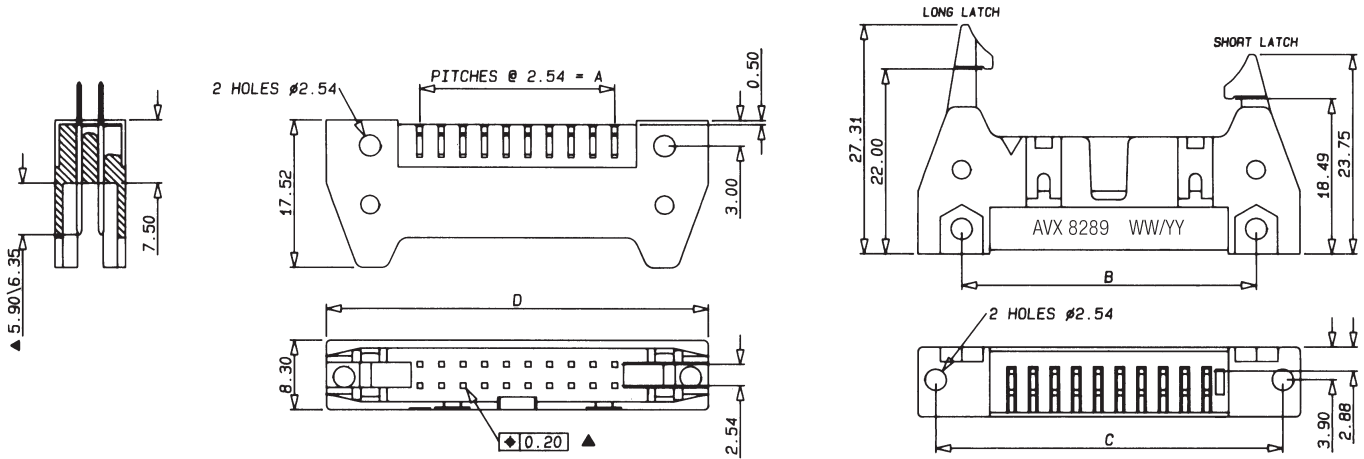
ORDERING CODE

| | | | | | | |
|------------------------------|----------------------|--|---|---|--|---|
| 00 | 8289 | 050 | 002 | 1 | 1 | 1 |
| Connector Code Prefix | Series Number | Number of Contacts | Contact Termination | Latch/Eject Lever | Plating | Polarization |
| 00 = Standard | | 010 = 10 position 014 = 14 position 016 = 16 position 020 = 20 position 026 = 26 position 034 = 34 position 040 = 40 position 050 = 50 position 060 = 60 position 064 = 64 position | 002 = Straight PC Tail for 2.4mm PCB - 0.142" (3.60mm) 004 = Right Angle PC Tail for 2.4mm PCB - 0.142" (3.60mm) 006 = Straight PC Tail for 1.6mm PCB - 0.110" (2.80mm) 007 = Right Angle PCB Tail for 1.6mm PCB - 0.110" (2.80mm) 009 = Press-Fit PC Tail 2.4/3.2mm PCB - 0.209" (4.5mm) | 0 = No Latch/Eject Lever 1 = Latch/Eject Lever for use with Series 8290 with strain relief 2 = Latch/Eject Lever for use with Series 8290 without strain relief | 1 = Selective Plating 30µ" Gold over Nickel 4 = Selective Plating 10µ" Gold over Nickel | 1 = Type A BS9525 & BT224 Dual Height molding in polarizing key/keys 3 = No Polarizing key/keys - Standard |

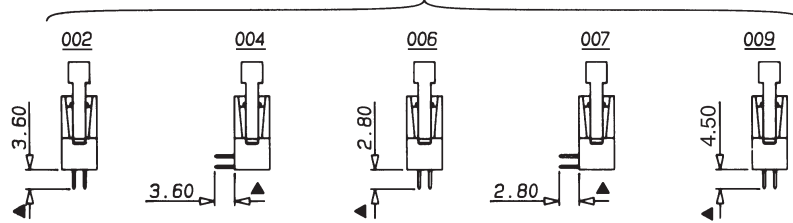


Ejector Style Header

Series 8289



CONTACT VARIATIONS

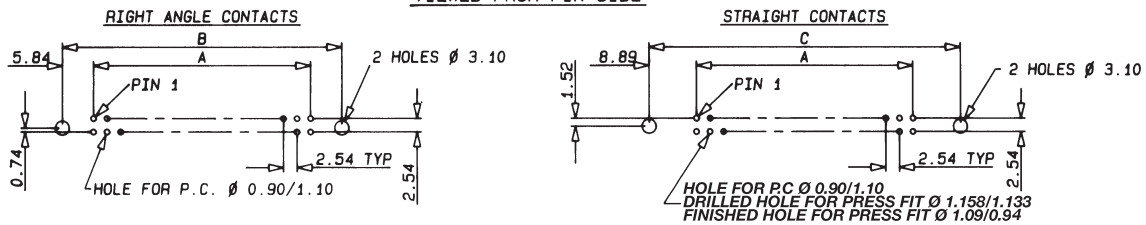


TAIL LENGTH TOLERANCES STANDARD ± 0.30 mm.

▲ $\diamond 0.20$ POSITIONAL TOLERANCE OF TAILS

BOARD HOLE DETAILS

VIEWED FROM PIN SIDE



DIMENSIONS: millimeters (inches)

| No. of Ways | A | B | C | D |
|-------------|--------------|--------------|--------------|---------------|
| 10 | 10.16 (.040) | 21.84 (.860) | 27.94 (1.10) | 32.11 (1.26) |
| 14 | 15.24 (.060) | 26.92 (1.06) | 33.02 (1.30) | 37.19 (1.46) |
| 16 | 17.78 (.070) | 29.46 (1.16) | 35.56 (1.40) | 39.73 (1.56) |
| 20 | 22.86 (.090) | 34.54 (1.36) | 40.64 (1.60) | 44.81 (1.76) |
| 26 | 30.48 (1.20) | 42.16 (1.66) | 40.64 (1.90) | 52.43 (2.06) |
| 34 | 40.64 (1.60) | 52.32 (2.06) | 58.42 (2.30) | 62.59 (2.46) |
| 40 | 48.26 (1.90) | 59.94 (2.36) | 66.04 (2.60) | 70.21 (2.76) |
| 50 | 60.96 (2.40) | 72.64 (2.86) | 78.74 (3.10) | 82.91 (3.26) |
| 60 | 73.66 (2.90) | 85.34 (3.36) | 91.44 (3.60) | 95.61 (3.76) |
| 64 | 78.74 (3.10) | 90.42 (3.56) | 96.52 (3.80) | 100.69 (3.96) |

