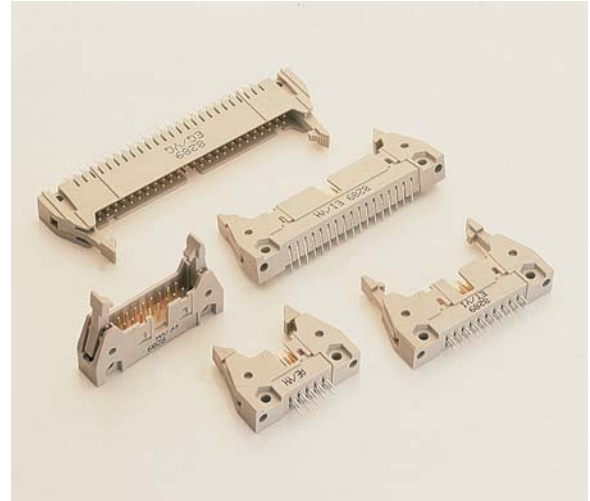


# Ejector Style Header



## Series 8289

Available in industry standard sizes of 10-64 positions, they mate to AVX Series 8290 IDC sockets, as well as other industry compatible connectors. Solder or press-fit contacts are available in either straight or right angle formats. The four wall design and optional molded in polarizing keys ensure positive polarization without pin loss. Latch/eject levers can also be specified to suit the mating Series 8290 socket, either with or without strain relief. Stand-off are incorporated to facilitate flux washing and de-gassing.



### TECHNICAL SPECIFICATION

**Material:**

Molding - UL94VO rated glass filled grey polyester

Contact - Phosphor bronze

**Contact Plating:**

Selective gold over nickel plating on the mating face, pure tin in IDC section

**Latch/Eject Levers****Part Numbers when ordered separately.**

Long (For 8290 socket with strain relief) 60 8289 6301 00 000

Short (For 8290 socket without strain relief) 60 8289 6302 00 000

**Current Rating:**

1 ampere at 70°C maximum ambient

**Voltage Rating:**

350V DC or AC peak

**Contact Resistance:**

Initially 10 milliohms maximum

**Dielectric Withstanding Voltage:**

1050 DC or AC peak

**Insulation Resistance:**

>1000 megohms

**Operating Temperature:**

-55°C to +125°C

**UL File No.** E90723

**CSA File No.** 1255749

### ORDERING CODE

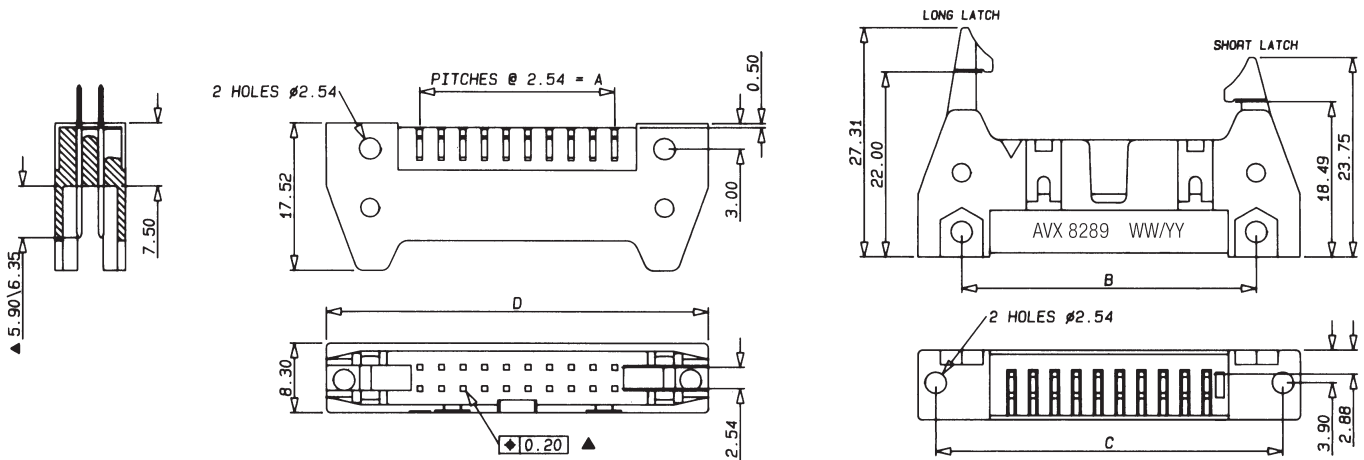
<b>00</b>	<b>8289</b>	<b>050</b>	<b>002</b>	<b>1</b>	<b>1</b>	<b>1</b>
<b>Connector Code Prefix</b>	<b>Series Number</b>	<b>Number of Contacts</b>	<b>Contact Termination</b>	<b>Latch/Eject Lever</b>	<b>Plating</b>	<b>Polarization</b>
00 = Standard		010 = 10 position 014 = 14 position 016 = 16 position 020 = 20 position 026 = 26 position 034 = 34 position 040 = 40 position 050 = 50 position 060 = 60 position 064 = 64 position	002 = Straight PC Tail for 2.4mm PCB - 0.142" (3.60mm) 004 = Right Angle PC Tail for 2.4mm PCB - 0.142" (3.60mm) 006 = Straight PC Tail for 1.6mm PCB - 0.110" (2.80mm) 007 = Right Angle PCB Tail for 1.6mm PCB - 0.110" (2.80mm) 009 = Press-Fit PC Tail 2.4/3.2mm PCB - 0.209" (4.5mm)	0 = No Latch/Eject Lever 1 = Latch/Eject Lever for use with Series 8290 with strain relief 2 = Latch/Eject Lever for use with Series 8290 without strain relief	1 = Selective Plating 30µ" Gold over Nickel 4 = Selective Plating 10µ" Gold over Nickel	1 = Type A BS9525 & BT224 Dual Height molding in polarizing key/keys 3 = No Polarizing key/keys - Standard



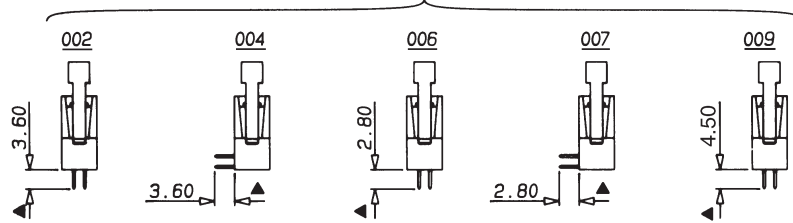
# Ejector Style Header



## Series 8289



### CONTACT VARIATIONS

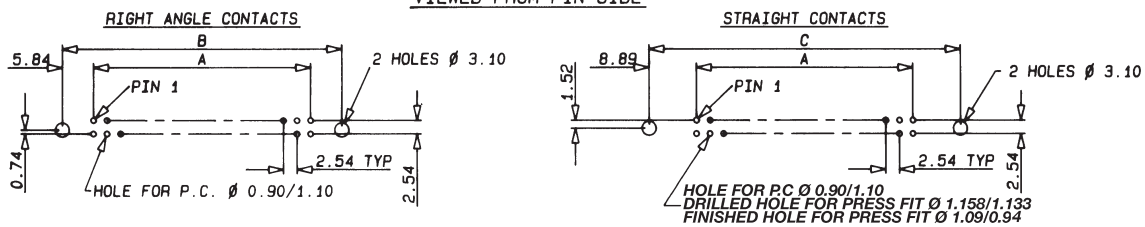


TAIL LENGTH TOLERANCES STANDARD  $\pm 0.30$ mm.

▲  $\diamond 0.20$  POSITIONAL TOLERANCE OF TAILS

### BOARD HOLE DETAILS

VIEWED FROM PIN SIDE



### DIMENSIONS: millimeters (inches)

No. of Ways	A	B	C	D
10	10.16 (.040)	21.84 (.860)	27.94 (1.10)	32.11 (1.26)
14	15.24 (.060)	26.92 (1.06)	33.02 (1.30)	37.19 (1.46)
16	17.78 (.070)	29.46 (1.16)	35.56 (1.40)	39.73 (1.56)
20	22.86 (.090)	34.54 (1.36)	40.64 (1.60)	44.81 (1.76)
26	30.48 (1.20)	42.16 (1.66)	40.64 (1.90)	52.43 (2.06)
34	40.64 (1.60)	52.32 (2.06)	58.42 (2.30)	62.59 (2.46)
40	48.26 (1.90)	59.94 (2.36)	66.04 (2.60)	70.21 (2.76)
50	60.96 (2.40)	72.64 (2.86)	78.74 (3.10)	82.91 (3.26)
60	73.66 (2.90)	85.34 (3.36)	91.44 (3.60)	95.61 (3.76)
64	78.74 (3.10)	90.42 (3.56)	96.52 (3.80)	100.69 (3.96)

