

GLASS PASSIVATED BRIDGE RECTIFIERS

REVERSE VOLTAGE - **50 to 1000** Volts
 FORWARD CURRENT - **4.0** Amperes

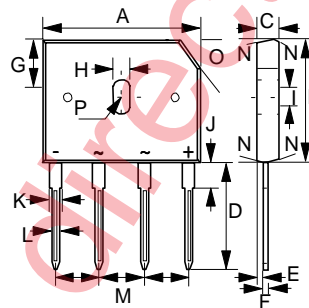
FEATURES

- Rating to 1000V PRV
- Ideal for printed circuit board
- Reliable low cost construction utilizing molded plastic technique
- The plastic material has UL flammability classification 94V-0
- UL Recognition File # E95060

MECHANICAL DATA

- Polarity : As marked on Body
- Weight : 0.15 ounces, 4.0 grams
- Mounting position : Any

GBU



GBU		
DIM.	MIN.	MAX.
A	21.80	22.30
B	18.30	18.80
C	3.30	3.56
D	17.50	18.00
E	0.76	1.00
F	0.46	0.56
G	7.40	7.90
H	3.50	4.10
I	1.65	2.16
J	2.25	2.75
K	1.95	2.35
L	1.02	1.27
M	4.83	5.33
N	7.0° TYPICAL	
O	3.2 x 45°	
P	1.90 RADIUS	

All Dimensions in millimeter

MAXIMUM RATINGS AND ELECTRICAL CHARACTERISTICS

Ratings at 25°C ambient temperature unless otherwise specified.
 Single phase, half wave, 60Hz, resistive or inductive load.
 For capacitive load, derate current by 20%

CHARACTERISTICS	SYMBOL	GBU 4005	GBU 401	GBU 402	GBU 404	GBU 406	GBU 408	GBU 410	UNIT	
Maximum Recurrent Peak Reverse Voltage	VRRM	50	100	200	400	600	800	1000	V	
Maximum RMS Voltage	VRMS	35	70	140	280	420	560	700	V	
Maximum DC Blocking Voltage	VDC	50	100	200	400	600	800	1000	V	
Maximum Average Forward Rectified Current @Tc=100°C (with heatsink Note 2) Rectified Current @Tc=100°C (without heatsink)	IAV					4.0				A
Peak Forward Surge Current 8.3ms single half sine-wave superimposed on rated load (JEDEC METHOD)	IFSM					150				A
Maximum forward Voltage at 2.0A DC	VF					1.0				V
Maximum DC Reverse Current at Rated DC Blocking Voltage @TJ=25°C @TJ=125°C	IR					5.0				uA
I ² t Rating for fusing (t < 8.3ms)	I ² t					93				A ² S
Typical Junction Capacitance per element (Note 1)	CJ					45				pF
Typical Thermal Resistance (Note 2)	RθJC					2.2				°C/W
Operating Temperature Range	TJ					-55 to +150				°C
Storage Temperature Range	TSTG					-55 to +150				°C

NOTE : 1.Measured at 1.0MHz and applied reverse voltage of 4.0V DC.
 2.Device mounted on 50mm x 50mm x 1.6mm Cu Plate Heatsink.

REV. 2, 01-Dec-2000, KBDJ01

