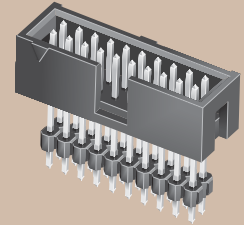


HTSS-117-01-L-DV

ZSS-110-03-L-D-0715



SHROUDED HEADER TSS, TST, HTSS, HTST, ZSS, ZST SERIES

TSS, HTSS, ZSS
Mates with:
SSW, SSQ, ESW, ESQ,
SSM, BCS

TST, HTST, ZST
Mates with:
IDSD

SPECIFICATIONS

For complete specifications see www.samtec.com?TSS, www.samtec.com?TST, www.samtec.com?HTSS, www.samtec.com?HTST, www.samtec.com?ZSS or www.samtec.com?ZST

Insulator Material:
Black Glass
Filled Polyester (TSS, TST, ZSS, ZST)
Natural PCT (HTSS, HTST)



Insulation Resistance:
5000 MΩ min

Terminal Material:
Phosphor Bronze

Plating:

Au or Sn over
50µ" (1,27µm) Ni

Current Rating:
3A

Operating Temp Range:
-55°C to +125°C with Gold
-55°C to +105°C with Tin

Flammability Rating:
UL 94V-0

Withstanding Voltage:
1000 VRMS

RoHS Compliant:
Yes

Processing:

Max Processing Temp:
HTSS & HTST only:
230°C for 60 seconds, or
260°C for 20 seconds 3x

Lead-Free Solderable:
Yes (HTSS, HTST)
Wave Only (TSS, TST,
ZSS, ZST)

SMT Lead Coplanarity:
(0,15mm) .006"



TSS
= Top Shrouded Connector Strip

TST
= Top Shrouded Cable Strip

HTSS
= High Temp Top Shrouded Connector Strip

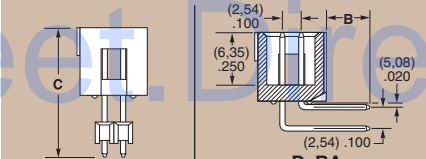
HTST
= High Temp Top Shrouded Cable Strip

ZSS
= Elevated Connector Strip

ZST
= Elevated Cable Strip

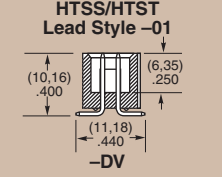
Specify "LEAD STYLE" from chart

LEAD STYLE	TSS/TST STRAIGHT TAIL LENGTH (A)	HTSS/HTST STRAIGHT TAIL LENGTH (A)
-01	(2,92) .115	(3,30) .130
-02	(4,19) .165	(4,57) .180
-03	(14,35) .565	(14,73) .580



LEAD STYLE	ZSS/ZST OVERALL LENGTH (C)
-01	(16,00) .630
-02	(18,54) .730
-03	(21,08) .830
-04	(23,62) .930
-05	(26,16) 1.030
-06	(28,70) 1.130
-07	(31,24) 1.230
-08	(33,78) 1.330
-09	(36,32) 1.430

LEAD STYLE	TSS/TST/HTSS/HTST RIGHT ANGLE TAIL LENGTH (B)
-04	(3,30) .130
-05	(5,84) .230



-D
= Double Row Through-hole (Lead style -01, -02 & -03 only or BODY HEIGHT must be specified)

-DV
= Double Row Surface Mount (Lead style -01 only) (HTSS, HTST only)

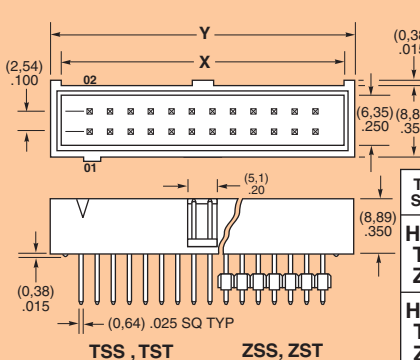
-D-RA
= Double Row Right Angle (Lead style -04 & -05 only) (ZSS, ZST N/A)

- "XXXX"
= Body Height (ZSS, ZST & -D only)

LEAD STYLE	MAX. BODY HEIGHT
-01	.540 (13,72)
-02	.640 (16,26)
-03	.740 (18,80)
-04	.840 (21,34)
-05	.940 (23,88)
-06	1.040 (26,42)
-07	1.140 (28,96)
-08	1.240 (31,50)
-09	1.340 (34,04)

For board stacking height add .085" (2,16mm) when mated with SSW series.
Example: ZST-1XX-01-X-X-465 mated with SSW = (13,97mm) .550" board space

05, 07, 08, 10, 12, 13, 15, 17, 20, 25, 32, 36 (Call Samtec for other sizes.)



TYPE STRIP	X	Y
HTSS	(2,54) .100 X No. of Positions	(2,54) .100 X No. of Positions
TSS	+ (1,27) .050	+ (3,81) .150
ZSS		
HTST	(2,54) .100 X No. of Positions	(2,54) .100 X No. of Positions
TST	+ (5,08) .200	+ (7,62) .300
ZST		

APPLICATION SPECIFIC OPTION

- Alignment Pins
- Single Row
- Locking Leads
- Polarized
- Call Samtec.

Note: Some lengths, styles and options are non-standard, non-returnable. ZSS, ZST are non-standard, non-returnable.

-L
= 10µ" (0,25µm) Gold on contact area, Matte Tin on tail

-G
= 10µ" (0,25µm) Gold on contact area, Gold flash on balance (Not available on -DV)

-T
= Matte Tin

Note: Other Gold plating options available. Contact Samtec.

Due to technical progress, all designs, specifications and components are subject to change without notice.