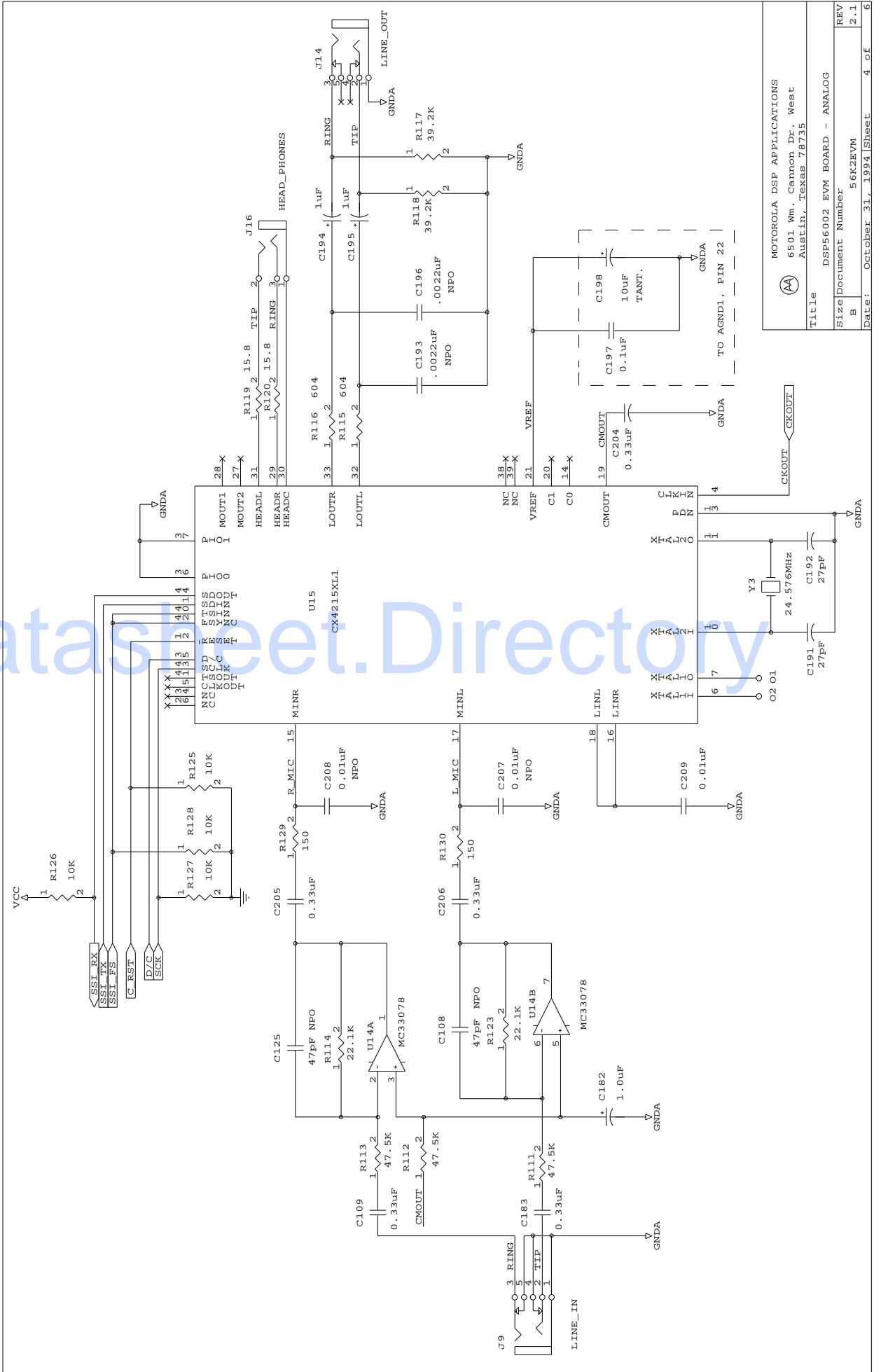
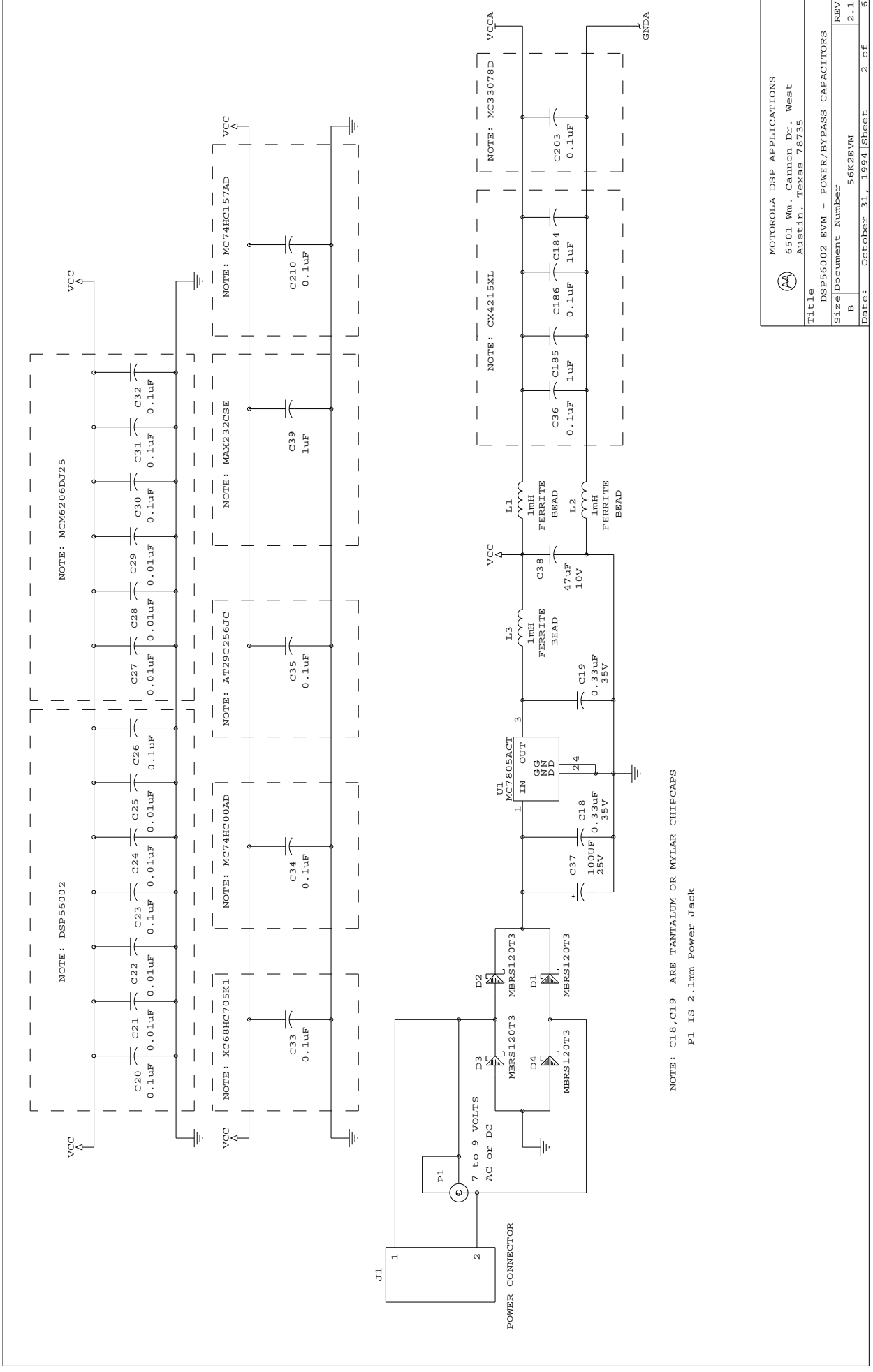


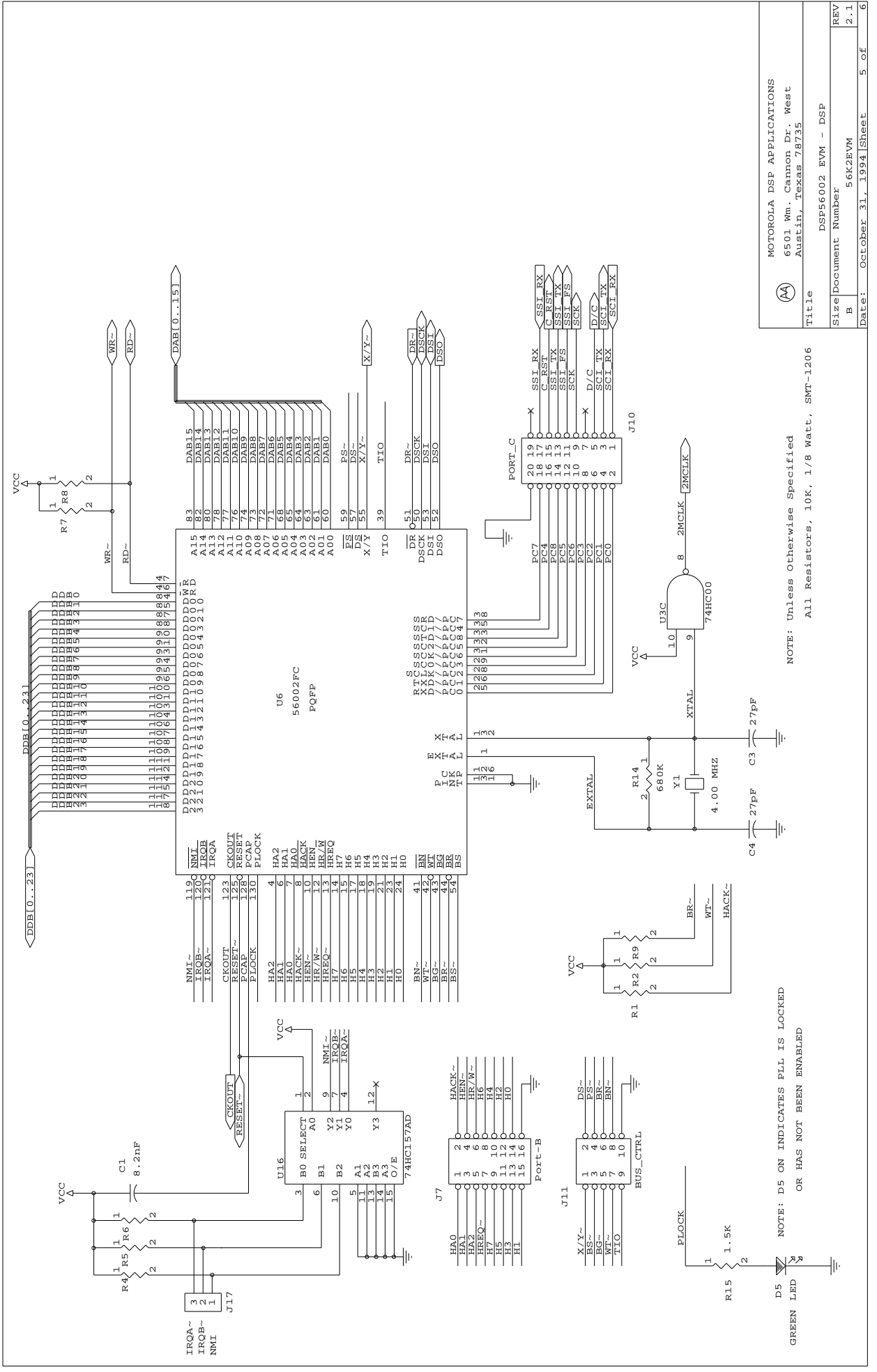
DataSheetDirectory



MOTOROLA DSP APPLICATIONS 6501 Wm. Cannon Dr. West Austin, Texas 78735	
Title DSP56002 EVM BOARD - ANALOG	
Size	Document Number
B	56K2EVM
Date:	October 31, 1994
Sheet	4 of 6
REV	2.1



MOTOROLA DSP APPLICATIONS 6501 Wm. Cannon Dr. West Austin, Texas 78735	
Title	DSP56002 EVM - POWER/BYPASS CAPACITORS
Size	Document Number
B	56K2EVM
REV	2.1
Date:	October 31, 1994 Sheet 2 of 6



MOTOROLA DSP APPLICATIONS  
 6501 Wm. Cannon Dr. West  
 Austin, Texas 78735

(A)

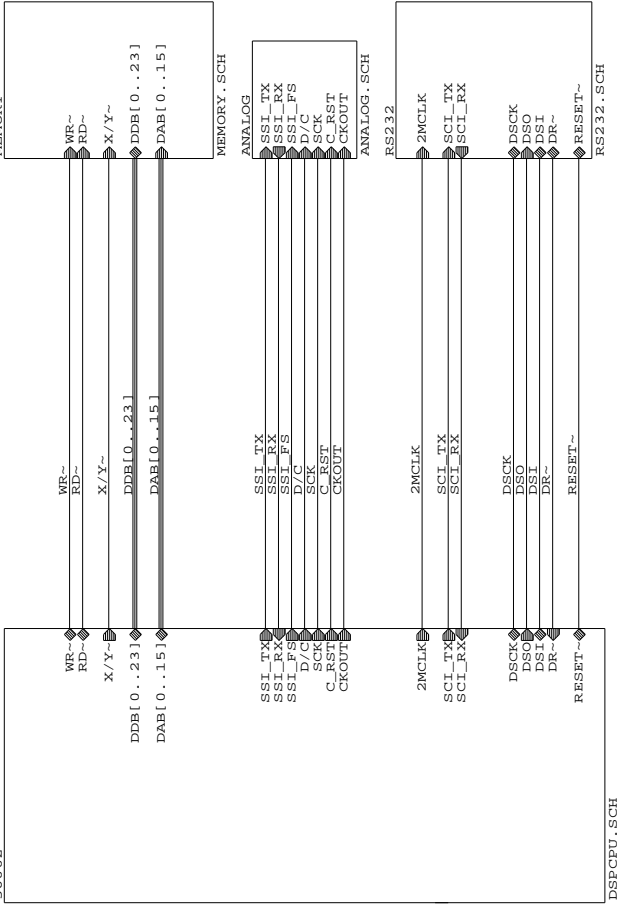
DSP56002 EVM - DSP  
 Title  
 Size/Document Number  
 56K2EVM  
 Date: October 31, 1994 Sheet 5 of 6

NOTE: D5 ON INDICATES PLL IS LOCKED  
 OR HAS NOT BEEN ENABLED

NOTE: Unless Otherwise Specified  
 All Resistors, 10K, 1/8 Watt, SMT-1206

GREEN LED  
 D5

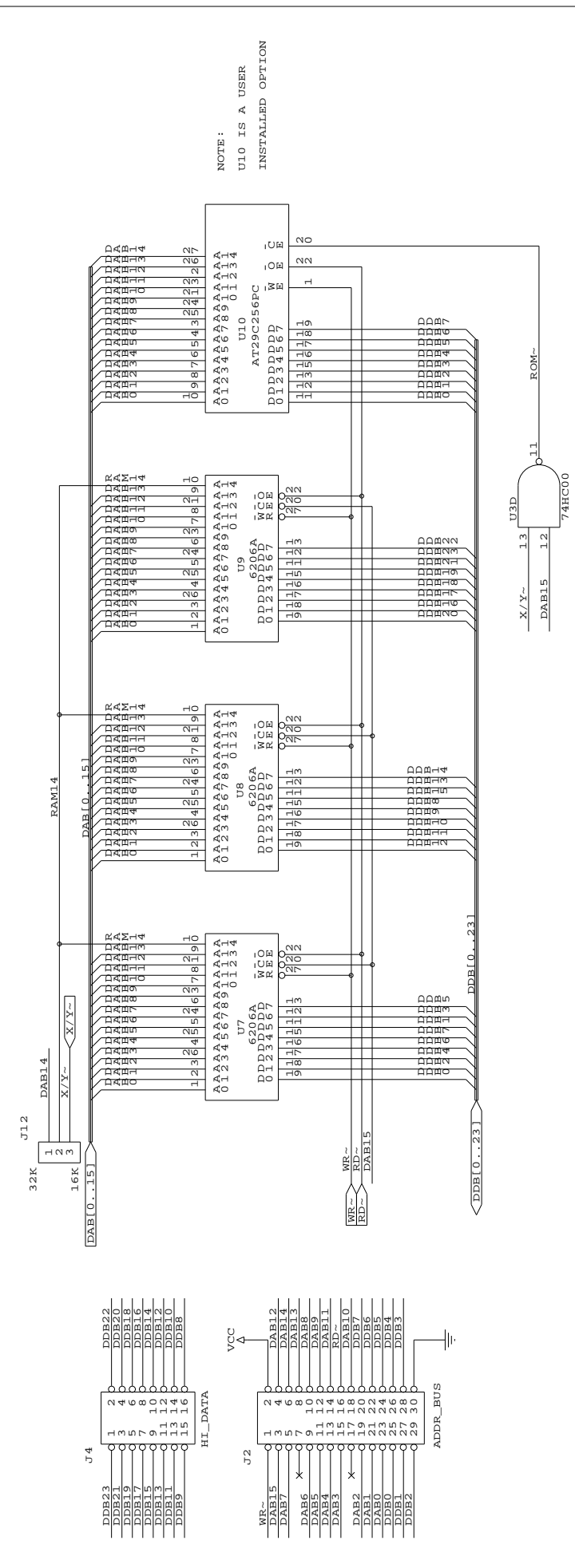
56002



DSP56002

NOTE: ON ALL CONNECTORS (EXCEPT J12), JX DESIGNATOR IS PLACED NEXT TO PIN 1.

(AA)		MOTOROLA DSP APPLICATIONS 6501 Wm. Cannon Dr. West Austin, Texas 78735	
Title		DSP56002 EVM BOARD - MAIN	
Size	Document Number	REV	REV
B	56K2EVM	2.1	2.1
Date:		October 31, 1994	Sheet 1 of 6



NOTE:  
U10 IS A USER  
INSTALLED OPTION

FFFF	I/O	FFFF	I/O
8000	FLASH EPROM ( P, X )	8000	FLASH EPROM ( P, X )
4000	COMMON EXTERNAL RAM	4000	SHADOW P, X RAM
0200	EXT. Y: RAM	0200	EXT. P, X: RAM
100	INT. INT.	100	INT. INT.
P: X: Y:		P: X: Y:	
32K		16K	

