

High-Speed Drivers with SPDT JFET Switches

FEATURES

- Constant On-Resistance Over Entire Analog Range
- Low Leakage
- Low Crosstalk
- Low Rad Hardness

BENEFITS

- Low Distortion
- Eliminates Large Signal Errors
- High Precision
- High Bandwidth Capability
- Fault Protection

APPLICATIONS

- Audio Switching
- Video Switching
- Sample/Hold
- Guidance and Control Systems
- Telemetry

DESCRIPTION

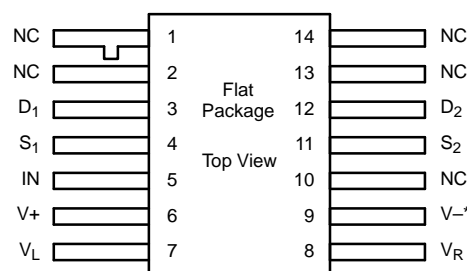
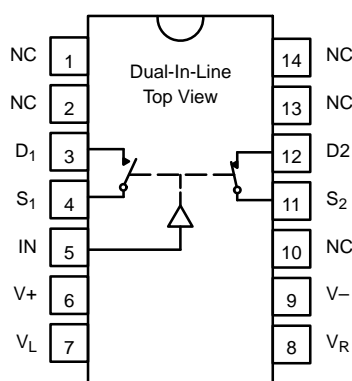
The DG186/187/188 are precision single-pole, double-throw (SPDT) analog switches designed to provide accurate switching of video and audio signals. This series is ideally suited for applications requiring a constant on-resistance over the entire analog range.

on-resistance include audio switching, video switching, and data acquisition.

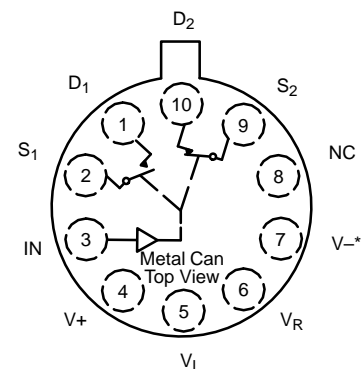
The major difference in the devices is the on-resistance (DG186—10 Ω , DG187—30 Ω , DG188—75 Ω). Reduced errors are achieved through low leakage current ($I_{D(on)}$ < 2 nA). Applications which benefit from the flat JFET

To achieve fast and accurate switch performance, each device comprises two n-channel JFET transistors and a TTL compatible bipolar driver. The driver is designed to achieve break-before-make switching action, eliminating the inadvertent shorting between channels and the crosstalk which would result. In the on state, each switch conducts current equally well in either direction. In the off condition, the switches will block up to 20 V peak-to-peak, with feedthrough of less than -60 dB at 10 MHz.

FUNCTIONAL BLOCK DIAGRAM AND PIN CONFIGURATION



Refer to JAN38510 Information, Military Section



*COMMON TO SUBSTRATE AND CASE

| TRUTH TABLE | | |
|-------------|-----------------|-----------------|
| Logic | SW ₁ | SW ₂ |
| 0 | OFF | ON |
| 1 | ON | OFF |

Logic "0" \leq 0.8 V
Logic "1" \geq 2.0 V

| ORDERING INFORMATION | | |
|----------------------|------------------|-------------------------------|
| Temp Range | Package | Part Number |
| -55 to 125°C | 10-Pin Metal Can | DG186AA/883 |
| | | DG187AA/883, JM38510/11105BIA |
| | | DG188AA/883, JM38510/11106BIA |
| | 14-Pin Sidebraze | DG186AP/883 |
| | | DG187AP/883, JM38510/11105BCA |
| | | DG188AP |
| | 14-Pin Flat Pack | DG188AP/883, JM38510/11106BCA |
| | | JM38510/11105BXA |
| | | |

ABSOLUTE MAXIMUM RATINGS

| | | | |
|-----------------------------------|--------|--|--------------|
| V+ to V- | 36 V | Current (S or D) DG187, DG188 | 30 mA |
| V+ to V _D | 33 V | Current (All Other Pins) | 30 mA |
| V _D to V- | 33 V | Storage Temperature | -65 to 150°C |
| V _D to V _D | ±22 V | Power Dissipation ^a | |
| V _L to V- | 36 V | 10-Pin Metal Can ^b | 450 mW |
| V _L to V _{IN} | 8 V | 14-Pin Sidebraze ^c | 825 mW |
| V _L to V _R | 8 V | 14-Pin Flat Pack ^d | 900 mW |
| V _{IN} to V _R | 8 V | Notes: | |
| V _R to V- | 27 V | a. All leads welded or soldered to PC Board. | |
| V _R to V _{IN} | 2 V | b. Derate 6 mW/°C above 75°C | |
| Current (S or D) DG186 | 200 mA | c. Derate 11 mW/°C above 75°C | |
| | | d. Derate 10 mW/°C above 75°C | |

SCHEMATIC DIAGRAM (TYPICAL CHANNEL)

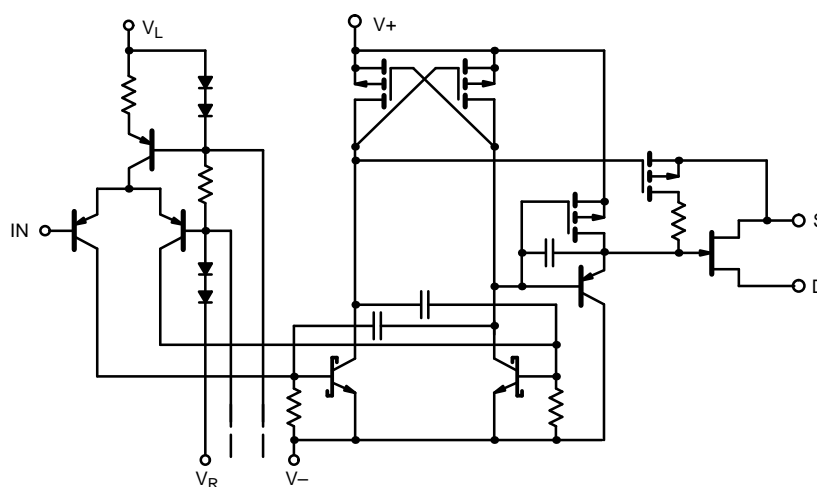


FIGURE 1.



| SPECIFICATIONS ^a For DG186 | | | | | | | | |
|---------------------------------------|--------------|---|------------------------------|------------------|------------------|------------------|---------------|--|
| Parameter | Symbol | Test Conditions Unless Specified $V_+ = 15\text{ V}, V_- = -15\text{ V}, V_L = 5\text{ V}$ $V_R = 0\text{ V}, V_{IN} = 0.8\text{ or }2\text{ V}^f$ | Temp ^b | Limits | | | Unit | |
| | | | | Min ^d | Typ ^c | Max ^d | | |
| Analog Switch | | | | | | | | |
| Analog Signal Range ^e | V_{ANALOG} | | Full | -7.5 | | 15 | V | |
| Drain-Source On-Resistance | $r_{DS(on)}$ | $I_S = -10\text{ mA}, V_D = -7.5\text{ V}$ | Room Full | | 7.5 | 10 20 | Ω | |
| Source Off Leakage Current | $I_{S(off)}$ | $V_S = \pm 10\text{ V}, V_D = \mp 10\text{ V}$ $V_+ = 10\text{ V}, V_- = -20\text{ V}$ | Room Hot | | 0.05 | 10 1000 | nA | |
| | | $V_S = \pm 7.5\text{ V}, V_D = \mp 7.5\text{ V}$ | Room Hot | | 0.05 | 10 1000 | | |
| Drain Off Leakage Current | $I_{D(off)}$ | $V_S = \pm 10\text{ V}, V_D = \mp 10\text{ V}$ $V_+ = 10\text{ V}, V_- = -20\text{ V}$ | Room Hot | | 0.04 | 10 1000 | | |
| | | $V_S = \pm 7.5\text{ V}, V_D = \mp 7.5\text{ V}$ | Room Hot | | 0.03 | 10 1000 | | |
| Channel On Leakage Current | $I_{D(on)}$ | $V_D = V_S = \pm 7.5\text{ V}$ | Room Hot | -2 -200 | -0.1 | | | |
| Saturation Drain Current | I_{DSS} | 2 ms Pulse Duration | Room | | 300 | | mA | |
| Digital Input | | | | | | | | |
| Input Current with Input Voltage High | I_{INH} | $V_{IN} = 5\text{ V}$ | Room Hot | | <0.01 | 10 20 | μA | |
| Input Current with Input Voltage Low | I_{INL} | $V_{IN} = 0\text{ V}$ | Full | -250 | -30 | | | |
| Dynamic Characteristics | | | | | | | | |
| Turn-On Time | t_{on} | See Switching Time Test Circuit | Room | | 240 | 400 | ns | |
| Turn-Off Time | t_{off} | | Room | | 140 | 200 | | |
| Source-Off Capacitance | $C_{S(off)}$ | f = 1 MHz | Room | | 21 | | pF | |
| Drain-Off Capacitance | $C_{D(off)}$ | | $V_D = -5\text{ V}, I_S = 0$ | Room | | 17 | | |
| Channel-On Capacitance | $C_{D(on)}$ | | $V_D = V_S = 0\text{ V}$ | Room | | 17 | | |
| Off Isolation | OIRR | f = 1 MHz, $R_L = 75\ \Omega$ | Room | | >55 | | dB | |
| Power Supplies | | | | | | | | |
| Positive Supply Current | I_+ | $V_{IN} = 0\text{ V}, \text{ or }5\text{ V}$ | Room | | | 0.8 | mA | |
| Negative Supply Current | I_- | | Room | -3 | | | | |
| Logic Supply Current | I_L | | Room | | | 3.2 | | |
| Reference Supply Current | I_R | | Room | -2 | | | | |

Notes:

- a. Refer to PROCESS OPTION FLOWCHART.
- b. Room = 25°C, Full = as determined by the operating temperature suffix.
- c. Typical values are for DESIGN AID ONLY, not guaranteed nor subject to production testing.
- d. The algebraic convention whereby the most negative value is a minimum and the most positive a maximum, is used in this data sheet.
- e. Guaranteed by design, not subject to production test.
- f. V_{IN} = input voltage to perform proper function.



| SPECIFICATIONS ^a For DG187 | | | | | | | | |
|---------------------------------------|--------------|--|------------------------------|------------------|------------------|------------------|---------------|--|
| Parameter | Symbol | Test Conditions Unless Specified $V_+ = 15\text{ V}, V_- = -15\text{ V}, V_L = 5\text{ V}$ $V_R = 0\text{ V}, V_{IN} = 0.8\text{ or }2\text{ V}^f$ | Temp ^b | Limits | | | Unit | |
| | | | | Min ^d | Typ ^c | Max ^d | | |
| Analog Switch | | | | | | | | |
| Analog Signal Range ^e | V_{ANALOG} | | Full | -7.5 | | 15 | V | |
| Drain-Source On-Resistance | $r_{DS(on)}$ | $I_S = -10\text{ mA}, V_D = -7.5\text{ V}$ | Room Full | | 22 | 30 60 | Ω | |
| Source Off Leakage Current | $I_{S(off)}$ | $V_S = \pm 10\text{ V}, V_D = \mp 10\text{ V}$ $V_+ = 10\text{ V}, V_- = -20\text{ V}$ | Room Hot | | 0.06 | 1 100 | nA | |
| | | $V_S = \pm 7.5\text{ V}, V_D = \mp 7.5\text{ V}$ | Room Hot | | 0.13 | 1 100 | | |
| Drain Off Leakage Current | $I_{D(off)}$ | $V_S = \pm 10\text{ V}, V_D = \mp 10\text{ V}$ $V_+ = 10\text{ V}, V_- = -20\text{ V}$ | Room Hot | | 0.04 | 1 100 | | |
| | | $V_S = \pm 7.5\text{ V}, V_D = \mp 7.5\text{ V}$ | Room Hot | | 0.03 | 1 100 | | |
| Channel On Leakage Current | $I_{D(on)}$ | $V_D = V_S = \pm 7.5\text{ V}$ | Room Hot | -2 -200 | -0.02 | | | |
| Digital Input | | | | | | | | |
| Input Current with Input Voltage High | I_{INH} | $V_{IN} = 5\text{ V}$ | Room Hot | | <0.01 | 10 20 | μA | |
| Input Current with Input Voltage Low | I_{INL} | $V_{IN} = 0\text{ V}$ | Full | -250 | -30 | | | |
| Dynamic Characteristics | | | | | | | | |
| Turn-On Time | t_{on} | See Switching Time Test Circuit | Room | | 85 | 150 | ns | |
| Turn-Off Time | t_{off} | | Room | | 95 | 130 | | |
| Source-Off Capacitance | $C_{S(off)}$ | f = 1 MHz | Room | | 9 | | pF | |
| Drain-Off Capacitance | $C_{D(off)}$ | | $V_S = -5\text{ V}, I_D = 0$ | Room | | 6 | | |
| Channel-On Capacitance | $C_{D(on)}$ | | $V_D = -5\text{ V}, I_S = 0$ | Room | | 14 | | |
| Off Isolation | OIRR | f = 1 MHz, $R_L = 75\ \Omega$ | Room | | >50 | | dB | |
| Power Supplies | | | | | | | | |
| Positive Supply Current | I_+ | $V_{IN} = 0\text{ V}, \text{ or }5\text{ V}$ | Room | | | 0.8 | mA | |
| Negative Supply Current | I_- | | Room | -3 | | | | |
| Logic Supply Current | I_L | | Room | | | 3.2 | | |
| Reference Supply Current | I_R | | Room | -2 | | | | |

Notes:

- Refer to PROCESS OPTION FLOWCHART.
- Room = 25°C, Full = as determined by the operating temperature suffix.
- Typical values are for DESIGN AID ONLY, not guaranteed nor subject to production testing.
- The algebraic convention whereby the most negative value is a minimum and the most positive a maximum, is used in this data sheet.
- Guaranteed by design, not subject to production test.
- V_{IN} = input voltage to perform proper function.



| SPECIFICATIONS ^a For DG188 | | | | | | | | | |
|---------------------------------------|--------------|---|------------------------------|------------------|------------------|------------------|---------------|----|--|
| Parameter | Symbol | Test Conditions Unless Otherwise Specified $V_+ = 15\text{ V}, V_- = -15\text{ V}, V_L = 5\text{ V}$ $V_R = 0\text{ V}, V_{IN} = 0.8\text{ or }2\text{ V}^f$ | Temp ^b | Limits | | | Unit | | |
| | | | | Min ^d | Typ ^c | Max ^d | | | |
| Analog Switch | | | | | | | | | |
| Analog Signal Range ^e | V_{ANALOG} | | Full | -10 | | 15 | V | | |
| Drain-Source On-Resistance | $r_{DS(on)}$ | $I_S = -10\text{ mA}, V_D = -7.5\text{ V}$ | Room Full | | 35 | 75 150 | Ω | | |
| Source Off Leakage Current | $I_{S(off)}$ | $V_S = \pm 10\text{ V}, V_D = \mp 10\text{ V}$ $V_+ = 10\text{ V}, V_- = -20\text{ V}$ | Room Hot | | 0.05 | 1 100 | nA | | |
| | | $V_S = \pm 10\text{ V}, V_D = \mp 10\text{ V}$ | Room Hot | | 0.07 | 1 100 | | | |
| Drain Off Leakage Current | $I_{D(off)}$ | $V_S = \pm 10\text{ V}, V_D = \mp 10\text{ V}$ $V_+ = 10\text{ V}, V_- = -20\text{ V}$ | Room Hot | | 0.04 | 1 100 | | | |
| | | $V_S = \pm 10\text{ V}, V_D = \mp 10\text{ V}$ | Room Hot | | 0.50 | 1 100 | | | |
| Channel On Leakage Current | $I_{D(on)}$ | $V_D = V_S = \pm 10\text{ V}$ | Room Hot | -2 -200 | -0.03 | | | | |
| Digital Input | | | | | | | | | |
| Input Current with Input Voltage High | I_{INH} | $V_{IN} = 5\text{ V}$ | Room Hot | | <0.01 | 10 20 | μA | | |
| Input Current with Input Voltage Low | I_{INL} | $V_{IN} = 0\text{ V}$ | Full | -250 | -30 | | | | |
| Dynamic Characteristics | | | | | | | | | |
| Turn-On Time | t_{on} | See Switching Time Test Circuit | Room | | | 120 | 250 | ns | |
| Turn-Off Time | t_{off} | | Room | | | 100 | 130 | | |
| Source-Off Capacitance | $C_{S(off)}$ | $f = 1\text{ MHz}$ | Room | | | 9 | | pF | |
| Drain-Off Capacitance | $C_{D(off)}$ | | $V_S = -5\text{ V}, I_D = 0$ | Room | | | 6 | | |
| Channel-On Capacitance | $C_{D(on)}$ | | $V_D = V_S = 0\text{ V}$ | Room | | | 14 | | |
| Off Isolation | OIRR | $f = 1\text{ MHz}, R_L = 75\ \Omega$ | Room | | | >50 | | dB | |
| Power Supplies | | | | | | | | | |
| Positive Supply Current | I_+ | $V_{IN} = 0\text{ V}, \text{ or } 5\text{ V}$ | Room | | | 0.8 | mA | | |
| Negative Supply Current | I_- | | Room | -3 | | | | | |
| Logic Supply Current | I_L | | Room | | | 3.2 | | | |
| Reference Supply Current | I_R | | Room | -2 | | | | | |

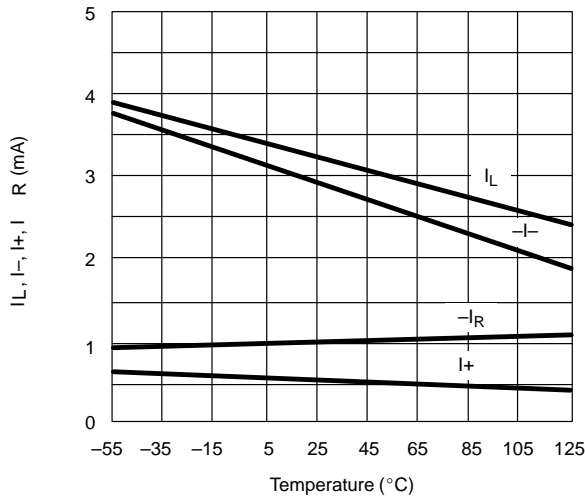
Notes:

- a. Refer to PROCESS OPTION FLOWCHART.
- b. Room = 25°C, Full = as determined by the operating temperature suffix.
- c. Typical values are for DESIGN AID ONLY, not guaranteed nor subject to production testing.
- d. The algebraic convention whereby the most negative value is a minimum and the most positive a maximum, is used in this data sheet.
- e. Guaranteed by design, not subject to production test.
- f. V_{IN} = input voltage to perform proper function.

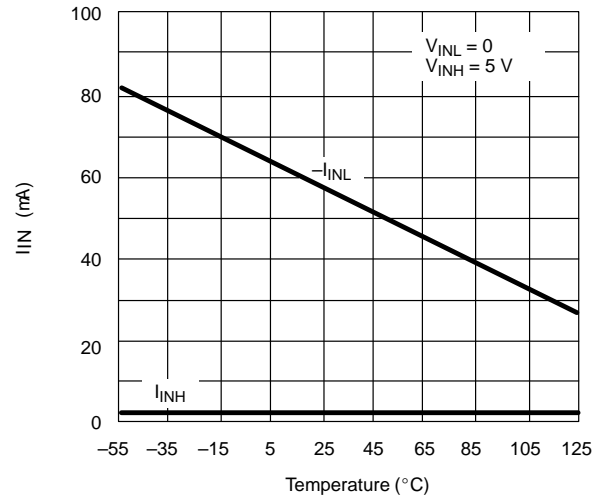


TYPICAL CHARACTERISTICS (25°C UNLESS NOTED)

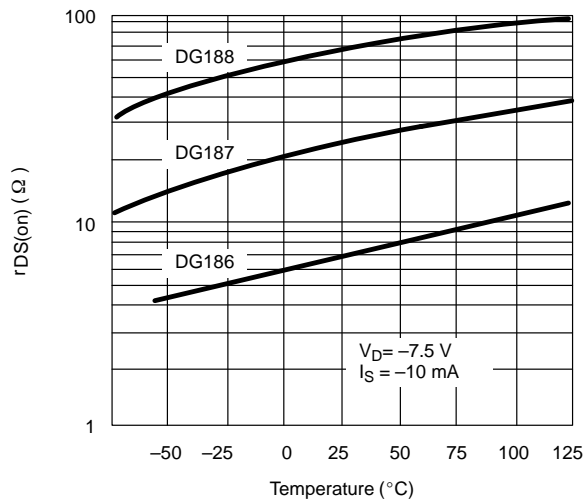
Supply Current vs. Temperature



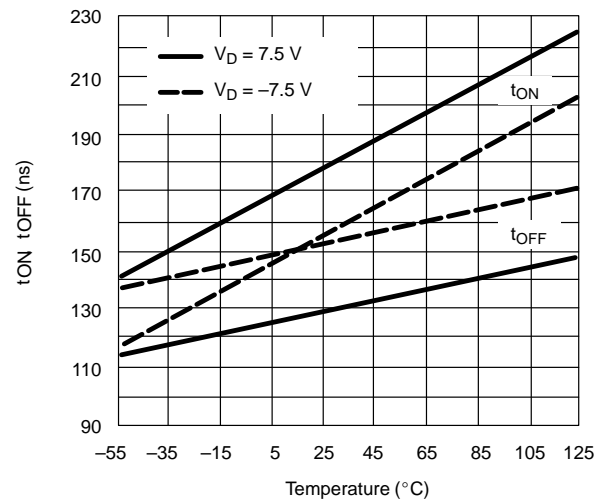
I_{IN} vs. V_{IN} and Temperature



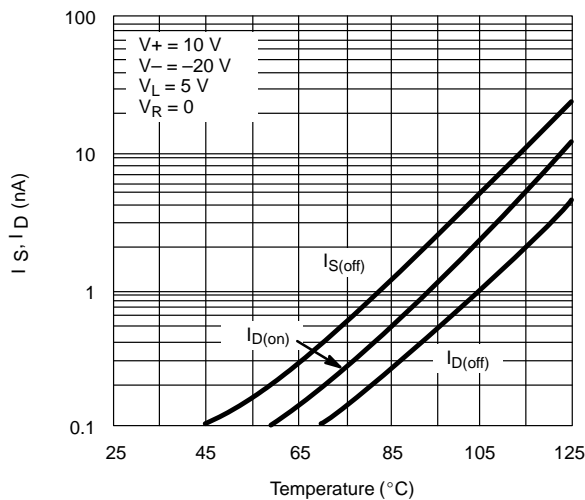
$r_{DS(on)}$ vs. Temperature



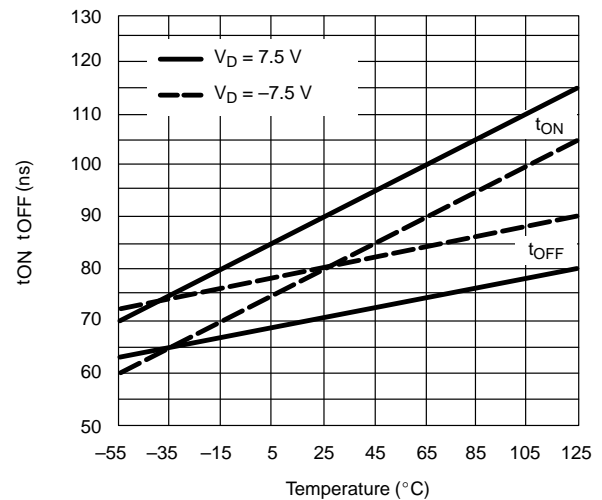
Switching Time vs. V_D and Temperature (DG186)



Leakage vs. Temperature (DG186)



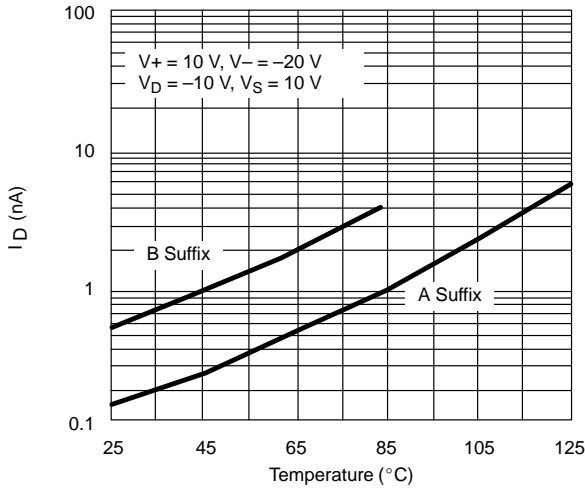
Switching Time vs. V_D and Temperature (DG187/188)



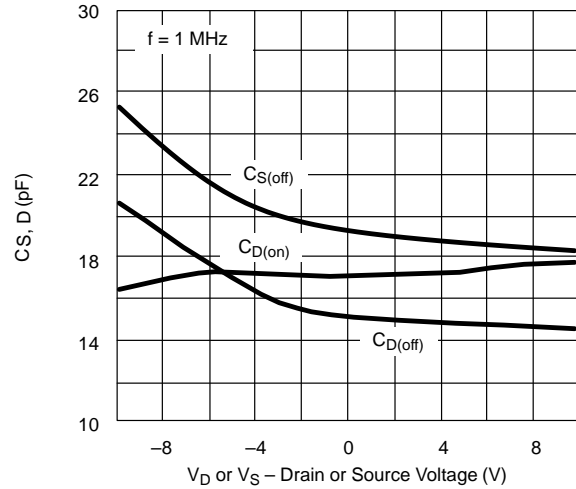


TYPICAL CHARACTERISTICS (25°C UNLESS NOTED)

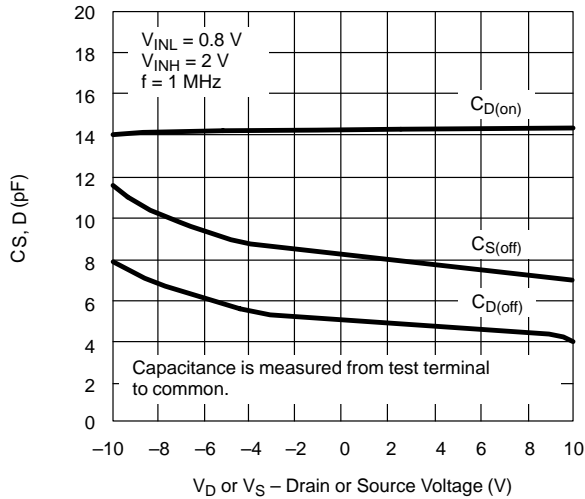
$I_{D(off)}$ vs. Temperature (DG187/188)



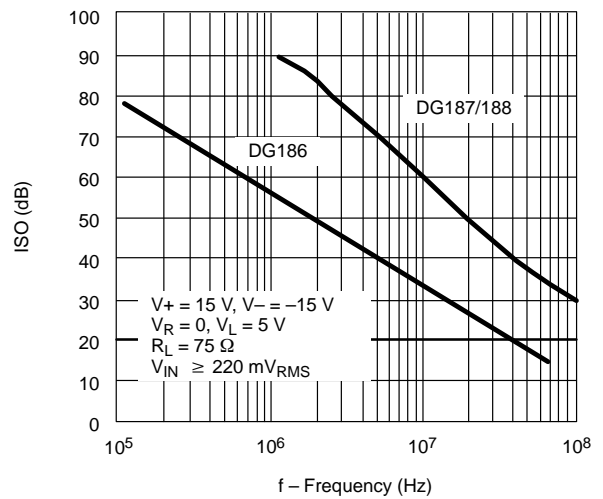
Capacitance vs. V_D or V_S (DG186)



Capacitance vs. V_D or V_S (DG187/188)



Off Isolation vs. Frequency



TEST CIRCUITS

Feedthrough due to charge injection may result in spikes at the leading and trailing edge of the output waveform.

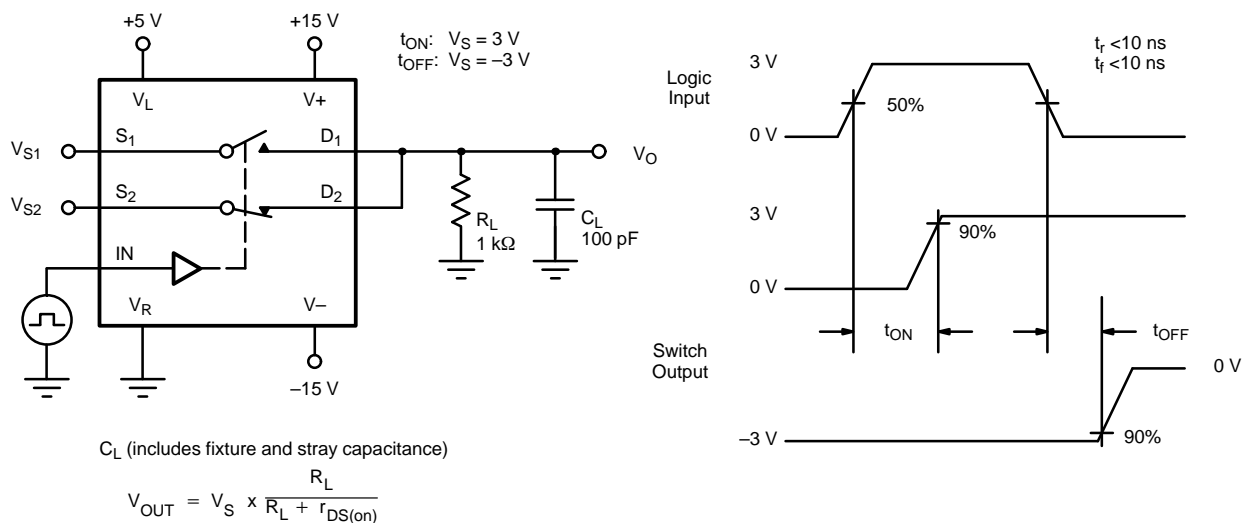


FIGURE 2. Switching Time

APPLICATION HINTS^a

| Switch | V+ Positive Supply Voltage (V) | V- Negative Supply Voltage (V) | VL Logic Supply Voltage (V) | VR Reference Supply Voltage (V) | VIN Logic Input Voltage VINH(min)/VINL(max) (V) | VS Analog Voltage Range (V) |
|----------------|--------------------------------|--------------------------------|-----------------------------|---------------------------------|---|-----------------------------|
| DG186 DG187 | 15 ^b | -15 | 5 | GND | 2.0/0.8 | -7.5 to 15 |
| | 10 | -20 | 5 | GND | 2.0/0.8 | -12.5 to 10 |
| | 12 | -12 | 5 | GND | 2.0/0.8 | -4.5 to 12 |
| DG188 | 15 ^b | -15 | 5 | GND | 2.0/0.8 | -10 to 15 |
| | 10 | -20 | 5 | GND | 2.0/0.8 | -15 to 10 |
| | 12 | -12 | 5 | GND | 2.0/0.8 | -7 to 12 |

Notes:

- a. Application Hints are for DESIGN AID ONLY, not guaranteed and not subject to production testing.
- b. Electrical Parameter Chart based on V+ = 15 V, VL = 5 V, VR = GND