

SPECIFICATIONS

OPTICAL

MODE: CW
 WAVELENGTH: 670nm TYPICAL
 OUTPUT POWER: 4.2mW ±5%
 LASER CLASS: CLASS IIIa, CONFORMING
 CDRH 21CFR §1040: CLASS: 3R
 IEC 60825-1: CLASS: 3R
 SPOT SIZE @ FACE: 4.6mm x 1.3mm TYPICAL
 BEAM DIVERGENCE: 0.2 x 0.7mrad TYPICAL
 POINTING ACCURACY: ≤4.3mrad

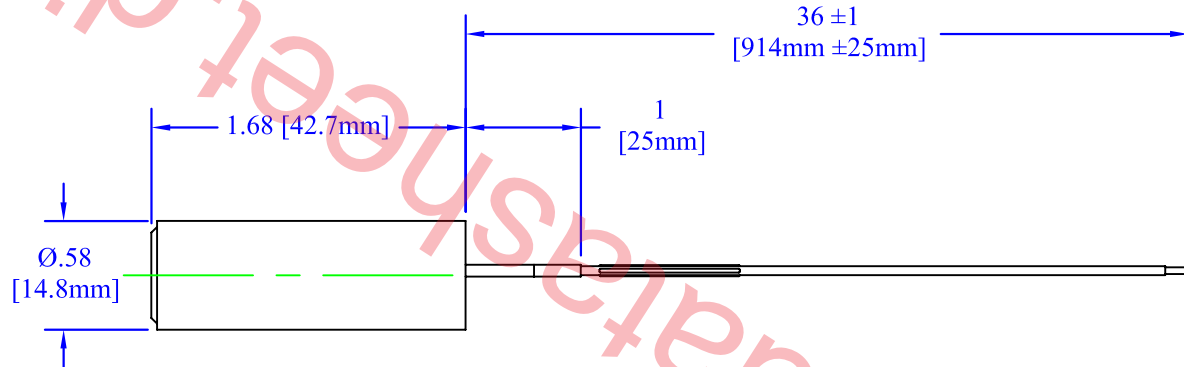
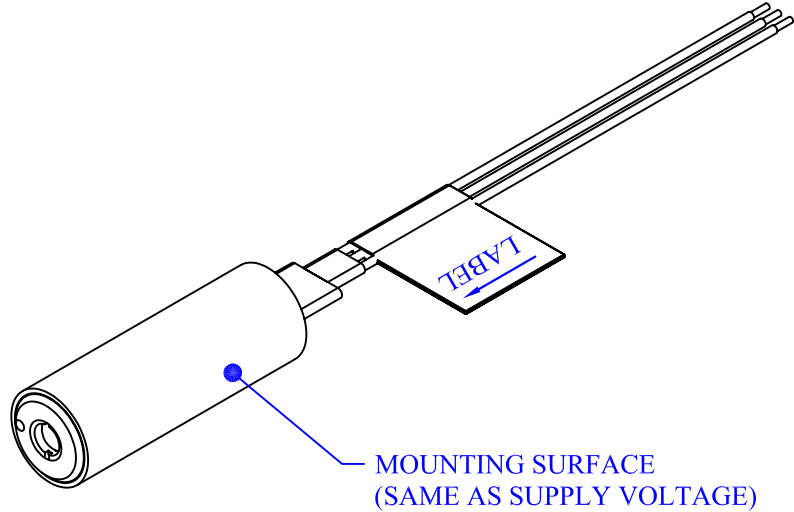
ELECTRICAL

OPERATING VOLTAGE: RED: 6~10VDC, RECOMMEND 6VDC
 WHITE: CONTROL
 BLACK: GROUND
 OPERATING CURRENT: 190mA TYPICAL
 260mA MAX
 CONTROL LINE:
 MAXIMUM BANDWIDTH: 500KHz
 LINEAR START: 1.6~1.9V
 LINEAR END: 3.0~3.5V
 MAX VOLTAGE: 5V
 INPUT RESISTANCE: 5.5KOHMS
 TTL INPUT: 5V
 TTL TIME RISE: 500nsec TYPICAL
 POWER-ON DELAY: 250msec

MECHANICAL

OPERATING TEMP: -10°C~+40°C
 CASE: ANODIZED: SAME AS SUPPLY VOLTAGE

VALUES @ 25°C



SPECIFICATION PAGE 1 OF 1

THIS DOCUMENT IS PROPERTY OF COHERENT, INC., AND IS DELIVERED ON THE EXPRESS CONDITION THAT IT IS NOT TO BE DISCLOSED, REPRODUCED IN WHOLE OR IN PART OR USED FOR MANUFACTURE FOR ANYONE OTHER THAN COHERENT INC., WITHOUT IT'S WRITTEN CONSENT, AND THAT NO RIGHT IS GRANTED TO DISCLOSE OR SO USE ANY INFORMATION CONTAINED IN SAID DOCUMENT. THIS RESTRICTION DOES NOT LIMIT THE RIGHT TO USE INFORMATION OBTAINED FROM ANOTHER SOURCE.				REF: X	12840 Bell Clark Way, Auburn, California 95602 • (530) 823-9550
FINISH: X				TITLE SYS, VLM2-5 MVP 4mW, 670nm	
PARTS MUST CONFORM TO COHERENT ENG SPECIFICATION #0900-000-00.				ALL DIA'S TO BE CONCENTRIC WITHIN .005 TIR UNLESS OTHERWISE SPECIFIED, DIMENSIONS ARE IN INCHES AND TOLERANCES ARE: DEC .X ± .1 mm ± .1 .XX ± .01 .01 ± .1 .XXX ± .005 ANG ± 1° FIN 32/	SIZE A DRAWING NO. 0221-202-00 REV AB
BREAK ALL SHARP EDGES .005-.010				SCALE NONE SHEET 2 OF 3	DO NOT SCALE DRAWING
DRAWN KELLEY.G DESIGNER X	DATE 3-22-05 X	CHECKED X	DATE X	ENGINEER X QUALITY X	DATE X RELEASED X DATE X