



ALL RIGHTS RESERVED. NO PORTION OF THIS PUBLICATION, WHETHER IN WHOLE OR IN PART CAN BE REPRODUCED WITHOUT THE EXPRESS WRITTEN CONSENT OF SPC TECHNOLOGY.

SPC-F005.DWG

REVISIONS

DOC. NO. SPC-F005 * Effective: 7/8/02 * DCP No: 1398

DCP #	REV	DESCRIPTION	DRAWN	DATE	CHECKD	DATE	APPRVD	DATE
1885	A	RELEASED	BYF	02/05/06	HO	2/6/06	JWM	2/6/06



Description:

AMPLIFIER AND SWITCHES

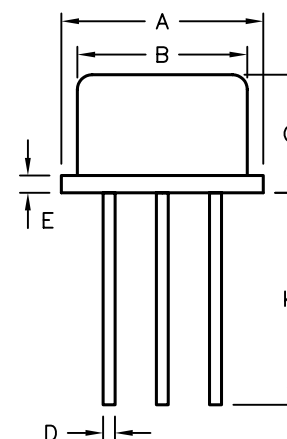
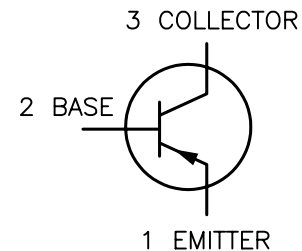
The 2N3251A is a silicon planar epitaxial PNP transistor in Jedec TO-18 metal case. They are suited for switching and amplifier applications.

Absolute Maximum Ratings:

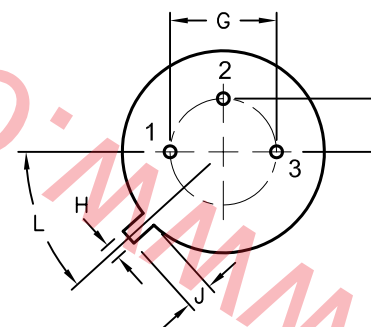
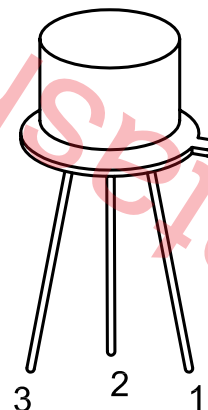
- Collector-Base Voltage, $V_{CBO} = 60V$
- Collector-Emitter Voltage, $V_{CEO} = 60V$
- Emitter-Base Voltage, $V_{EBO} = 5V$
- Continuous Collector Current, $I_C = 0.2A$
- Total Device Dissipation ($T_A = +25^{\circ}C$), $P_D = 0.36mW$
Derate above $25^{\circ}C = 2.06mW/^{\circ}C$
- Total Device Dissipation ($T_C = +25^{\circ}C$), $P_D = 1.2W$
Derate above $25^{\circ}C = 6.9mW/^{\circ}C$
- Operating Junction Temperature Range, $T_J = -55^{\circ}$ to $+150^{\circ}C$
- Storage Temperature Range, $T_{stg} = -55^{\circ}$ to $+150^{\circ}C$
- Thermal Resistance, Junction-to-Case, $R_{thJC} = 146^{\circ}C/W$
- Thermal Resistance, Junction-to-Ambient, $R_{thJA} = 486^{\circ}C/W$

PNP

Dim	Min	Max
A	5.24	5.84
B	4.52	4.97
C	4.31	5.33
D	0.40	0.53
E	-	0.76
F	-	1.27
G	-	2.97
H	0.91	1.17
J	0.71	1.21
K	12.70	-
L	45°	45°



- PIN 1. EMITTER
2. BASE
3. COLLECTOR



DISCLAIMER:
ALL STATEMENTS AND TECHNICAL INFORMATION CONTAINED HEREIN ARE BASED UPON INFORMATION AND/OR TESTS WE BELIEVE TO BE ACCURATE AND RELIABLE. SINCE CONDITIONS OF USE ARE BEYOND OUR CONTROL, THE USER SHALL DETERMINE THE SUITABILITY OF THE PRODUCT FOR THE INTENDED USE AND ASSUME ALL RISK AND LIABILITY WHATSOEVER IN CONNECTION THEREWITH.

TOLERANCES:
UNLESS OTHERWISE SPECIFIED, DIMENSIONS ARE FOR REFERENCE PURPOSES ONLY.

DRAWN BY:	DATE:
BASAM YOUSIF	02/05/06
CHECKED BY:	DATE:
HISHAM ODISH	2/6/06
APPROVED BY:	DATE:
JEEF MCVICKER	2/6/06

DRAWING TITLE: Transistor, Power, Silicon, TO-18, PNP			
SIZE	DWG. NO.	ELECTRONIC FILE	REV
A	2N3251A	35C0701.DWG	A
SCALE: NTS		U.O.M.: MILLIMETERS	SHEET: 1 OF 2