

Voltage selector switch, 6 stages, serie-parallel, PCB mounting

**Description**

- Voltage Selector, 6 stages
- Series-parallel connections
- PCB terminals

Standards

- IEC 61058-2-5
- UL 508
- CSA C22.2 no. 55

References

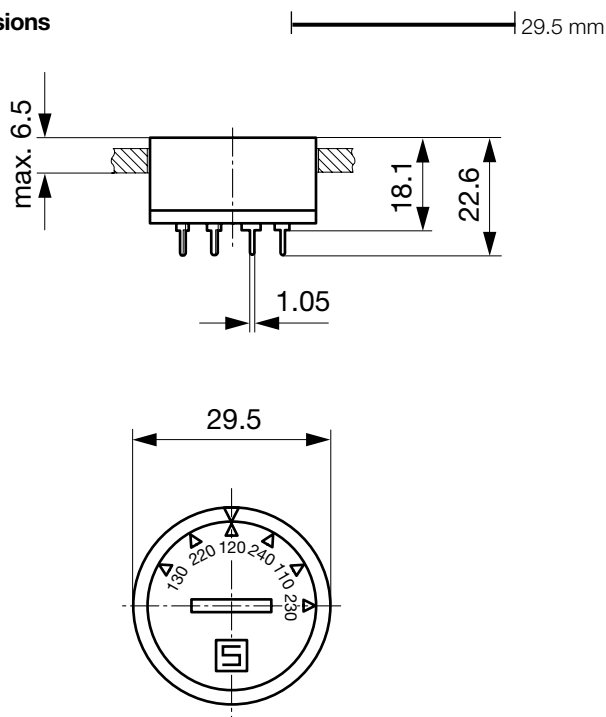
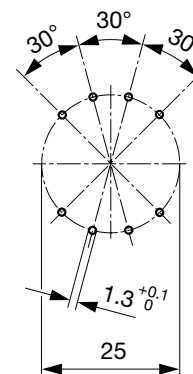
Alternative: version for panel mounting SWZ1 (Frontpl)

Weblinks

pdf-datasheet, html-datasheet, General Product Information, Approvals, CE declaration of conformity, RoHS, CHINA-RoHS, e-Shop, SCHURTER-Stock-Check, Distributor-Stock-Check, CAD-Drawings, Mounting instruction, Detailed request for product

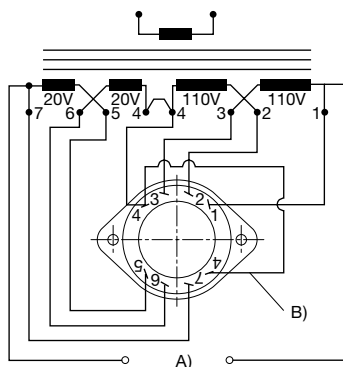
Technical Data

Ratings	IEC: 6.3 A / 250 VAC; 50 Hz UL: 10 A / 250 VAC; 60 Hz CSA: 6.3 A / 250 VAC; 60 Hz	Solderability	235 °C / 2 sec acc. to IEC 60068-2-20, Test Ta, method 1
Mounting	PCB Mounting	Resistance to Soldering Heat	260 °C / 5 sec acc. to IEC 60068-2-20, Test Tb, method 1A
Terminal	Solder, THT	Insulation Resistance	> 10'000MΩ (500VDC; 1min)
Number of Stages	6	Contact Resistance	< 10mΩ at 20 mV
Lifetime	300 operating cycles (without load)	Dielectric Strength	> 2kVAC between L-N > 4kVAC between L/N-PE (1min; 50Hz)
Degree of Protection	from front side IP 40	Clearance and Creepage Distance	> 3mm > 8mm between L/N-PE
Protection Class	Suitable for appliances with protection class II acc. to IEC 61140	Resistance to Vibration	acc. to IEC 60068-2-6, test Fc
Allowable Operation Temp.	-40 °C to 85 °C		
Climatic Category	25/85/21 acc. to IEC 60068-1		
Material: Socket	Thermoplastic, black, UL 94V-0		
Weight	11.8 g		

Dimensions**Drilling diagram**

Diagrams

Reverse view



A) Power mains
B) External connection

Variants

Letterings						Order Number
Stage 1	Stage 2	Stage 3	Stage 4	Stage 5	Stage 6	
150	220	130	260	110	240	0033.3801
130	220	120	240	110	230	0033.3802
134	200	117	234	100	217	0033.3803
140	200	120	240	100	220	0033.3805
100	240	-	220	120	-	0033.3812
						0033.3814
120	220	100	240			0033.3815
	220			110	240	0033.3819
145	210	125	250	105	230	0033.3833
	200	120	240	100	220	0033.3837
130	200	115	230	100	215	0033.3839
						0033.3843
		120	240	100	230	0033.3845
120	220	115	230	110	225	0033.3846

Packaging Unit 50 Pcs