



Micro Commercial Components

Micro Commercial Components  
20736 Marilla Street Chatsworth  
CA 91311  
Phone: (818) 701-4933  
Fax: (818) 701-4939

**BD233**  
**BD235**  
**BD237**

## Features

- Halogen free available upon request by adding suffix "-HF"
- Power Dissipation:  $P_{CM}=1.25W$ ,  $T_a=25^{\circ}C$
- Collector Current :  $I_C=2A$
- Complement to BD234/236/238 respectively
- Lead Free Finish/RoHS Compliant (Note1) ("P" Suffix designates RoHS Compliant. See ordering information)
- Epoxy meets UL 94 V-0 flammability rating
- Moisture Sensitivity Level 1
- Marking: Type Number

## Maximum Ratings\*

Symbol	Rating	Rating	Unit		
$V_{CEO}$	Collector-Emitter Voltage	BD233 BD235 BD237	45 60 80	V	
	$V_{CBO}$	Collector-Base Voltage	BD233 BD235 BD237		45 60 100
		$V_{CER}$	Collector-Emitter Voltage		BD233 BD235 BD237
$V_{EBO}$			Emitter-Base Voltage	5	V
$I_C$	Collector Current (DC)		2	A	
$I_{CP}$	Collector Current (Pulse)	6	A		
$P_C$	Collector Dissipation ( $T_C=25^{\circ}C$ )	25	W		
$T_J$	Operating Junction Temperature	150	$^{\circ}C$		
$T_{STG}$	Storage Temperature	-65 to +150	$^{\circ}C$		

## Electrical Characteristics @ 25°C Unless Otherwise Specified

Symbol	Parameter	Min	Max	Units
--------	-----------	-----	-----	-------

### OFF CHARACTERISTICS

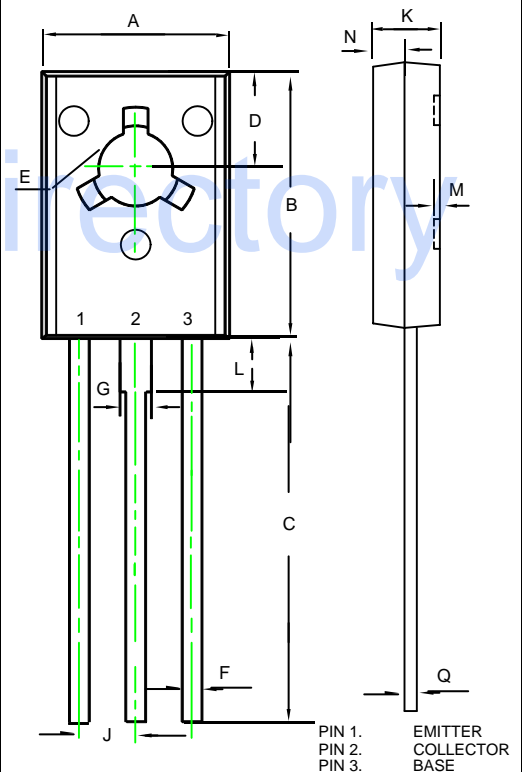
$V_{CEO(sus)}$	Collector-Emitter Breakdown Voltage	45 60 80	---	V
	BD233 ( $I_C=0.1A_{dc}$ , $I_B=0$ )			
	BD235 ( $I_C=0.1A_{dc}$ , $I_B=0$ )			
$I_{CBO}$	Collector Cutoff Current	---	100	$\mu A$
	BD233 ( $V_{CB}=45V_{dc}$ , $I_E=0$ )			
	BD235 ( $V_{CB}=60V_{dc}$ , $I_E=0$ )			
$I_{EBO}$	Emitter Cutoff Current	---	1.0	mA
	( $V_{BE}=5.0V_{dc}$ , $I_C=0$ )			
$h_{FE}$	DC Current Gain	40 25	---	---
	( $V_{CE}=2V$ , $I_C=150mA$ ) ( $V_{CE}=2V$ , $I_C=1A$ )			
$V_{CE(sat)}$	Collector-Emitter Saturation Voltage	---	0.6	V
$V_{BE(on)}$	Base-Emitter ON Voltage	---	1.3	V
$f_T$	Current Gain Bandwidth Product	3	---	MHz
	( $V_{CE}=10V$ , $I_C=0.25A$ )			

\*Pulse Test:  $PW=300\mu s$ , Duty Cycle=1.5% Pulsed

Notes: 1. High Temperature Solder Exemption Applied, see EU Directive Annex Notes 7.

## NPN Plastic-Encapsulate Transistors

TO-18



DIM	INCHES		MM		NOTE
	MIN	MAX	MIN	MAX	
A	0.291	0.307	7.40	7.80	
B	0.417	0.433	10.60	11.00	
C	0.602	0.618	15.30	15.70	
D	0.154	0.161	3.90	4.10	
E	0.118	0.126	3.00	3.20	
F	0.026	0.034	0.66	0.86	
G	0.046	0.054	1.17	1.37	
J	0.090TYP		2.290TYP		
K	0.098	0.114	2.50	2.90	
L	0.083	0.091	2.10	2.30	
M	0.000	0.012	0.00	0.30	
N	0.043	0.059	1.10	1.50	
Q	0.018	0.024	0.45	0.60	

[www.mccsemi.com](http://www.mccsemi.com)

# BD233/235/237



Micro Commercial Components

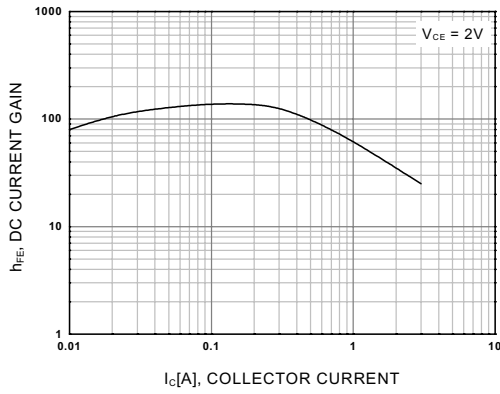


Figure 1. DC current Gain

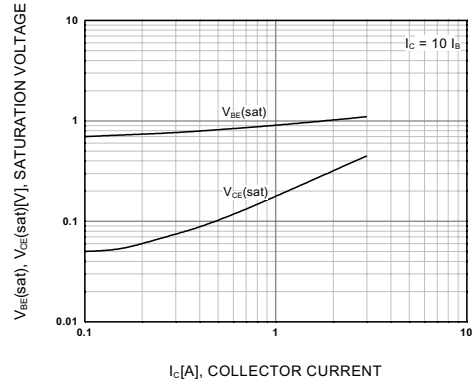


Figure 2. Base-Emitter Saturation Voltage  
Collector-Emitter Saturation Voltage

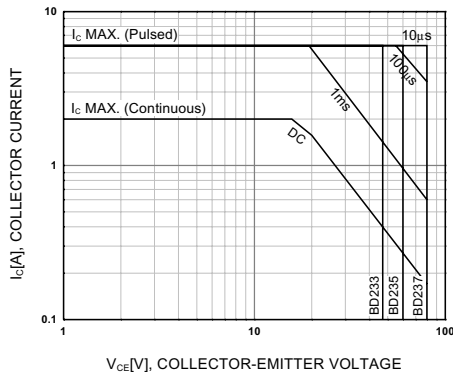


Figure 3. Safe Operating Area

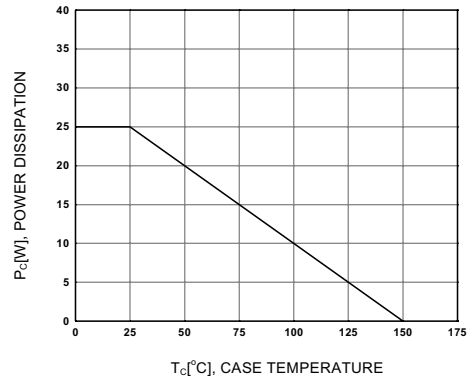


Figure 4. Power Derating



Micro Commercial Components

### Ordering Information :

Device	Packing
Part Number-BP	Bulk; 1Kpcs/Box

Note : Adding "-HF" suffix for halogen free, eg. Part Number-BP-HF

#### \*\*\*IMPORTANT NOTICE\*\*\*

**Micro Commercial Components Corp.** reserves the right to make changes without further notice to any product herein to make corrections, modifications, enhancements, improvements, or other changes. **Micro Commercial Components Corp.** does not assume any liability arising out of the application or use of any product described herein; neither does it convey any license under its patent rights, nor the rights of others. The user of products in such applications shall assume all risks of such use and will agree to hold **Micro Commercial Components Corp.** and all the companies whose products are represented on our website, harmless against all damages.

#### \*\*\*LIFE SUPPORT\*\*\*

MCC's products are not authorized for use as critical components in life support devices or systems without the express written approval of Micro Commercial Components Corporation.

#### \*\*\*CUSTOMER AWARENESS\*\*\*

Counterfeiting of semiconductor parts is a growing problem in the industry. Micro Commercial Components (MCC) is taking strong measures to protect ourselves and our customers from the proliferation of counterfeit parts. MCC strongly encourages customers to purchase MCC parts either directly from MCC or from Authorized MCC Distributors who are listed by country on our web page cited below. Products customers buy either from MCC directly or from Authorized MCC Distributors are genuine parts, have full traceability, meet MCC's quality standards for handling and storage. **MCC will not provide any warranty coverage or other assistance for parts bought from Unauthorized Sources.** MCC is committed to combat this global problem and encourage our customers to do their part in stopping this practice by buying direct or from authorized distributors.

[www.mccsemi.com](http://www.mccsemi.com)