

Component-to-wire connectors **FCI**

DCS-1

2 way sealed female housings for 6.3 mm terminals

Features

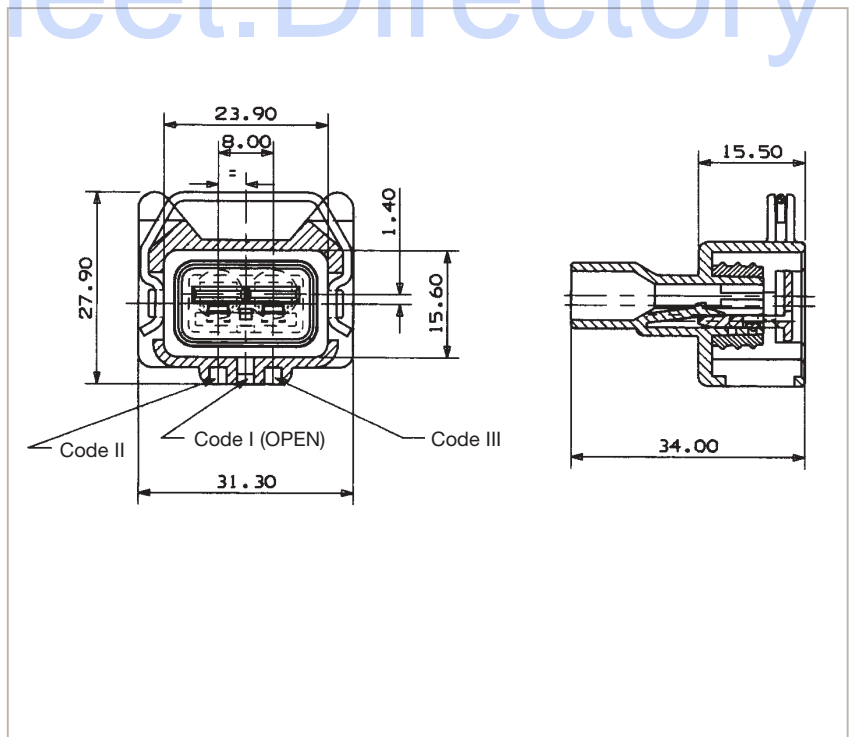
- 8 mm pitch
- Waterproof application with single wire seal
- Circumferential interface seal
- Additional terminal locking device pre-assembled on front part of the housing
- Metal locking feature
- Mechanical polarization
- Several codes available



Performance characteristics

- Temperature range: from -40°C to +120°C
- Contact retention force: > 80 N
- Contact insertion force: < 20 N
- Connector mating force: < 75 N
- Sealing protection: IP 67
- Acceptable wire range: from 0.5 to 4 mm²

Dimensional characteristics



Construction

- Housing material: PBT
- Circumferential interface seal: Silicone

Tooling

- Front device removal tool: Consult us
- Terminal removal tool: Consult us

Connector compatibility

- Usable terminals: DCS-1 6.3 mm female terminals

Part Numbers	No. of Position	Terminal size	Waterproof	Code	Colour
6 020 14 01	2	6.3 mm	No	1	Black
6 040 11 01	2	6.3 mm	Yes	1	Black