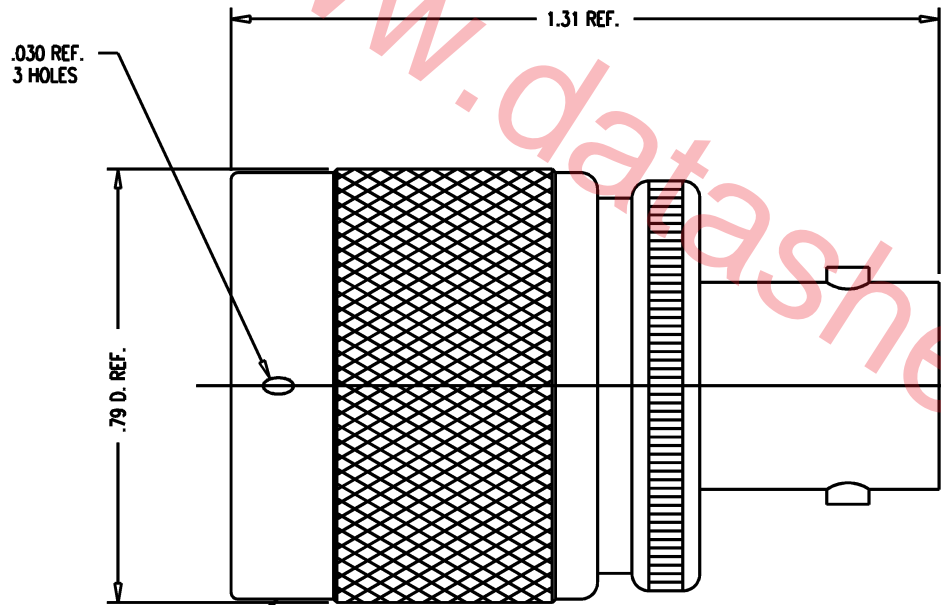


GSD

M55339/20-00201

REVISIONS

ISSUE	CHANGES
6	CN 36131 C REDRAWN ME 02/28/95



STAMP: 91836 M55339/20-00201
1209-7 XXXX (DATE CODE)

- NOTES:**
- INTERFACE PER MIL-STD-348 FIGURES 304-1 AND 301-2.
 - MATERIALS:**
 INSULATOR: TEFLON, ASTM-D-4894
 GASKET: SILICONE RUBBER, ZZ-R-765
 CONTACT: BERYLLIUM COPPER, ASTM-B-196
 C-RING } PHOSPHOR BRONZE, ASTM-B-103
 OUTER CONTACT }
 ALL OTHER PARTS: BRASS, ASTM-B16
 - FINISHES:**
 CONTACT: GOLD PLATE PER MIL-G-45204
 ALL OTHER METAL PARTS: SILVER PLATE PER QQ-S-365
 - ELECTRICAL CHARACTERISTICS:**
 NOMINAL IMPEDANCE: 50~W
 FREQUENCY RANGE: DC-4 GHz
 VOLTAGE RATING: 500 VOLTS RMS

1209-7 QGS0200

SCALE 4:1

APPROX SURFACE AREA

USED ON

REF:

ADAPTER, N-BNC, M-F

DRAWN	ME	02/28/95
DESIGN	TK	02/01/95
APPR.	VLS	02/20/95

KINGS
ELECTRONICS CO., INC.
TUCKAHOE, NEW YORK 10707

M55339/20-00201

GSD