

### Panel and Lamp Body Sealed

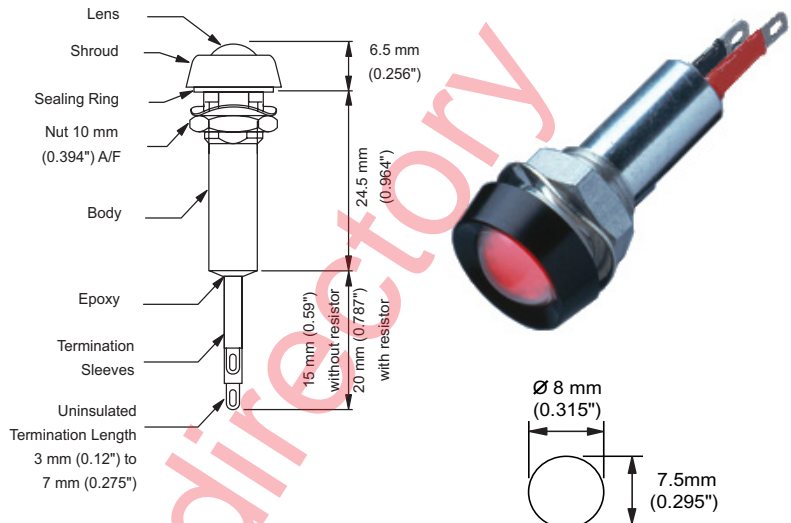
### Dual Polarity

### LED Indicator Mains (ac) Powered

### IP68 - Ø8.0

#### Features

- Loop hole tag terminals
- Panel and lamp body sealed
- Rugged glass and metal construction
- Two voltage variants available
- Sealed to IP68
- Clear diffused lens
- 60° Viewing angle
- Operating temp -40 to 85°C
- Storage temp -55 to 100°C



STR/LH/8/-Ref1

Mounting Hole Details

#### Ordering Information and Technical Characteristics

Ordering Information	Colour	Forward Voltage (V max RMS)	Current (mA)	Luminous Intensity (mcd)
STR/LH/8/110/REF1/AlGaAsRD	Red	110	5	10
STR/LH/8/110/REF1/RD	Red	110	5	5
STR/LH/8/110/REF1/AR	Amber	110	5	3
STR/LH/8/110/REF1/YW	Yellow	110	5	3
STR/LH/8/110/REF1/GN	Green	110	5	10
STR/LH/8/240/REF1/AlGaAsRD	Red	240	2.5	10
STR/LH/8/240/REF1/RD	Red	240	2.5	5
STR/LH/8/240/REF1/AR	Amber	240	2.5	3
STR/LH/8/240/REF1/YW	Yellow	240	2.5	3
STR/LH/8/240/REF1/GN	Green	240	2.5	10

Supply frequency (Hz) 50-60

- 1) Tag Terminations are denoted by REF1 in the part number.
- 2) Unlike neons, LED arrays operate below 50% supply voltage without flicker. Reduction in light output is proportional to fall in supply voltage.
- 3) For high intensity LED colours, including: white, blue, green, yellow and amber, place an **H** in the part number e.g. STR/LH/8/110/Ref1/H/YW
- 4) Customer specials available on request.

**Panel and Lamp Body Sealed**

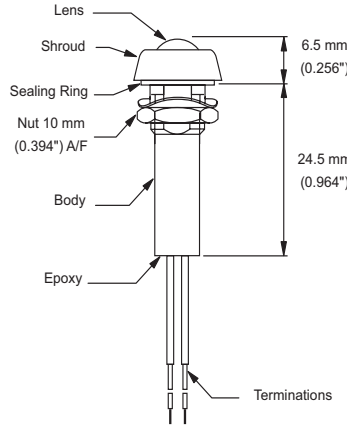
**Dual Polarity**

**LED Indicator Mains (ac) Powered**

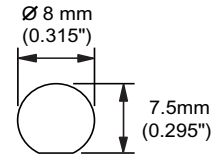
**IP68 - Ø8.0**

**Features**

- Flying lead terminals (standard length of 200mm)
- Panel and lamp body sealed
- Rugged glass and metal construction
- Sealed to IP68
- Two voltage variants available
- Clear diffused lens
- 60° Viewing angle
- Operating temp -40 to 85°C
- Storage temp -55 to 100°C



**STR/LH/8/-**



**Mounting Hole**

**Ordering Information and Technical Characteristics**

Ordering Information	Colour	Forward Voltage V (max RMS)	Current (mA)	Luminous Intensity (mcd)
STR/LH/8/110/AL	AlGaAs Red	110	5	10
STR/LH/8/110/RD	Red	110	5	5
STR/LH/8/110/AR	Amber	110	5	3
STR/LH/8/110/YW	Yellow	110	5	3
STR/LH/8/110/GN	Green	110	5	10
STR/LH/8/240/AL	AlGaAs Red	240	2.5	10
STR/LH/8/240/RD	Red	240	2.5	5
STR/LH/8/240/AR	Amber	240	2.5	3
STR/LH/8/240/YW	Yellow	240	2.5	3
STR/LH/8/240/GN	Green	240	2.5	10

Supply frequency (Hz) 50-60.

- 1) Unlike neons, LED arrays operate below 50% supply voltage without flicker. Reduction in light output is proportional to fall in supply voltage.
- 2) For high intensity LED colours, including: white, blue, green, yellow and amber, place an **H** in the part number e.g. STR/LH/8/110/Ref1/**H**/YW
- 3) Customer specials available on request.