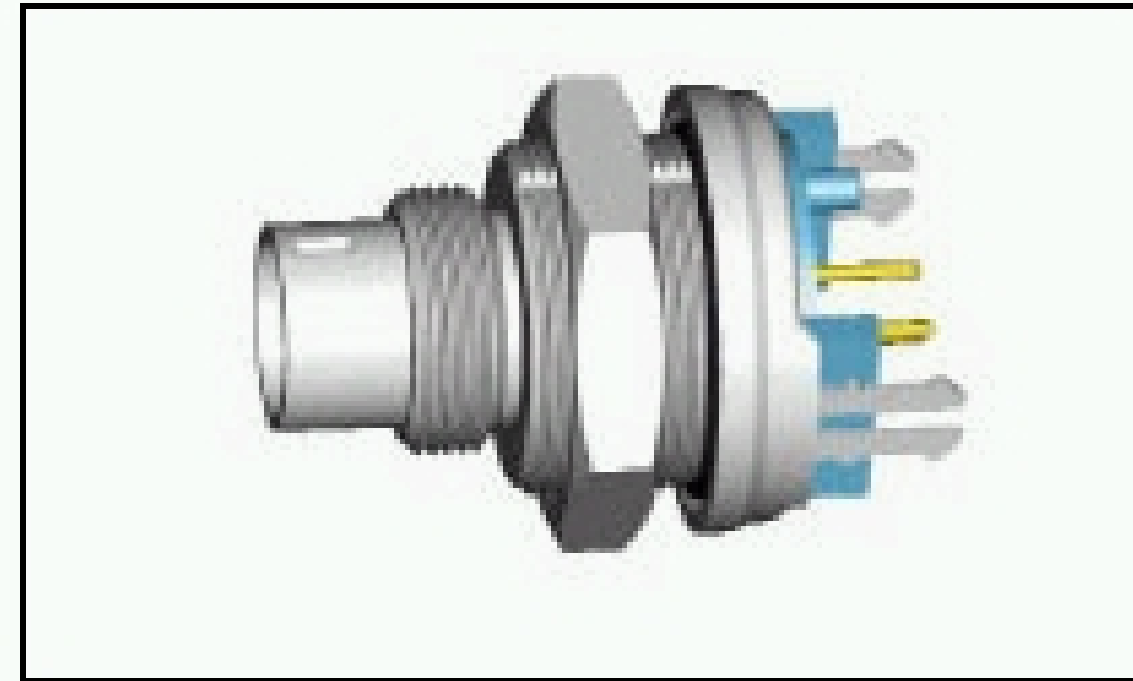


1418048-1 Product Details

[Live Product Chat](#)



1418048-1

TE Part Number: 1418048-1

[Active](#)

[Add to Part List](#)

Shielded Circular Subminiature Connectors (TRIAD™ 01)

[Always EU RoHS/ELV Compliant \(Statement of Compliance\)](#)

Product Highlights:

- Header
- 7 Contacts
- Pin
- Contact Current Rating = 1 Amps.
- Wire Size = 0.14 mm² [AWG]

[View all Features](#) | [Find Similar Products](#)

Quick Links

- ▶ [Check Pricing & Availability](#)
- ▶ [Search for Tooling](#)
- ▶ [Product Feature Selector](#)
- ▶ [Contact Us About This Product](#)

Documentation & Additional Information

Product Drawings:

- [T01 MALE CONN. PANEL MNT. PCB-VER. 7 POS. T01 STIFTS...](#) (PDF, English)

Catalog Pages/Data Sheets:

- None Available

Product Specifications:

- None Available

Application Specifications:

- None Available

Instruction Sheets:

- None Available

CAD Files:

- None Available

Additional Information:

- [Product Line Information](#)

Related Products:

- [Tooling](#)

[List all Documents](#)

Product Features (Please use the Product Drawing for all design activity)

Product Type Features:

- Product Type = Header
- Gender = Pin
- Wire Size (mm² [AWG]) = 0.14
- Mount Angle = Vertical

Electrical Characteristics:

- Contact Current Rating (Amps.) = 1

Contact Related Features:

- Contact Type = Printed Circuit Board

Housing Related Features:

- Number of Contacts = 7

Industry Standards:

- [RoHS/ELV Compliance](#) = RoHS compliant, ELV compliant
- [Lead Free Solder Processes](#) = Wave solder capable to 240°C
- RoHS/ELV Compliance History = Always was RoHS compliant

Other:

- Brand = Tyco Electronics

[Provide Website Feedback](#) | [Need Help?](#)