

Schottky Rectifiers

1.0 to 75 Amperes 20 to 100 Volts

I_O (AMPS)	1.0		2.0	3.0
@ T_L (°C)	100	75	75	95
I_{FSM} (AMPS)	25	30	50	80
CASE	DO-41*		DO-15	DO-201AD
V_{RRM} (VOLTS)				
20	1N5817	CRSH1-2	CRSH2-2	1N5820
30	1N5818	CRSH1-3	CRSH2-3	1N5821
40	1N5819	CRSH1-4	CRSH2-4	1N5822
50		CRSH1-5	CRSH2-5	
60		CRSH1-6	CRSH2-6	
80		CRSH1-8	CRSH2-8	
100		CRSH1-10	CRSH1-10	

V_F MAX @ $I_F = I_O$				
20V	0.45V	0.50V	0.50V	0.475V
30V	0.55V	0.50V	0.50V	0.500V
40V	0.60V	0.50V	0.50V	0.525V
50V		0.70V	0.70V	
60V		0.70V	0.70V	
80V & 100V		0.85V	0.85V	

I_R MAX @ V_{RRM}	1.0mA	0.5mA	0.5mA	2.0mA
-----------------------	-------	-------	-------	-------


* Also available in DO-41SP Case (0.6mm lead diameter) with Radial Tape and Reel (DO-41SP-RPCU). See pages 239 thru 240.

(6-December 2004)

Central[™]
Semiconductor Corp.
www.centalsemi.com

Schottky Rectifiers

(Continued)

I_O (AMPS)	3.0	5.0		8.0
@ T_A (°C)	25	25	25	25
I_{FSM} (AMPS)	100	250	250	250
CASE	 DO-201AD			
V_{RRM} (VOLTS)				
20	CRSH3-2	CN5823	CRSH5-2	CRSH8A-2
30	CRSH3-3	CN5824	CRSH5-3	CRSH8A-3
40	CRSH3-4	CN5825	CRSH5-4	CRSH8A-4
50	CRSH3-5		CRSH5-5	
60	CRSH3-6		CRSH5-6	
80	CRSH3-8			
100	CRSH3-10			

V_F MAX @ $I_F = I_O$				
20V	0.50V MAX @ 3.0A	0.45V MAX @ 5.0A	0.57V MAX @ 5.0A	0.55V MAX @ 8.0A
30V	0.50V MAX @ 3.0A	0.45V MAX @ 5.0A	0.57V MAX @ 5.0A	0.55V MAX @ 8.0A
40V	0.50V MAX @ 3.0A	0.45V MAX @ 5.0A	0.57V MAX @ 5.0A	0.55V MAX @ 8.0A
50V	0.75V MAX @ 3.0A		0.70V MAX @ 5.0A	
60V	0.75V MAX @ 3.0A		0.70V MAX @ 5.0A	
80V	0.85V MAX @ 3.0A			
100V	0.85V MAX @ 3.0A			

I_R MAX @ V_{RRM}	0.5mA	10mA	10mA	10mA

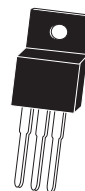
Full Pak Schottky Rectifiers

TO-220FP

8.0 to 16 Amperes

40 to 100 Volts

**FULL
PAK**



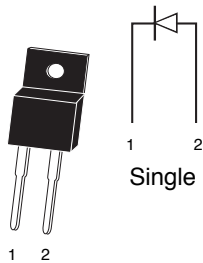
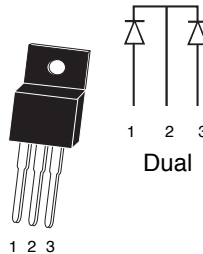
Top View



Bottom View

Full Pak:

- Fully insulated plastic case.
- Suitable for automatic insertion.
- No mica insulator required.
- Does not require non-conductive nylon hardware.
- Can be easily mounted with metal screw or rivet.

I_O (AMPS) @ T_C (°C)	8.0	16
I_{FSM} (AMPS)	150	150
CASE	 TO-220FP 2 LEAD	 TO-220FP
V_{RRM} (Volts)		
40	CRSH8-40FP	CRSH16D-40FP
60	CRSH8-60FP	CRSH16D-60FP
100	CRSH8-100FP	CRSH16D-100FP



V_F MAX @ $I_F = I_O$ @ $T_C = 125^\circ\text{C}$		
40V	0.57V	0.72V
60V	0.65V	0.85V
100V	0.75V	1.00V

(6-December 2004)

Central[™]
Semiconductor Corp.
www.centalsemi.com

Schottky Rectifiers

(Continued)

I_O (AMPS)	25	35	75
@ T_C (°C)	150	150	120
I_{FSM} (AMPS)	800	600	1200
CASE	 DO-4*		 DO-5*
V_{RRM} (VOLTS)			
20	CRSH25-2		
30	CRSH25-3	CRSH35-3	CRSH75-3
40		CRSH35-4	CRSH75-4
50		CRSH35-5	CRSH75-5

V_F MAX @ $I_F=I_O$			
20V	0.58V MAX @ 25A		
30V	0.58V MAX @ 25A	0.63V MAX @ 35A	0.70V MAX @ 75A
40V		0.63V MAX @ 35A	0.70V MAX @ 75A
50V		0.63V MAX @ 35A	0.70V MAX @ 75A

I_R MAX @ V_{RRM}	2.0mA	2.0mA	2.0mA
-----------------------	-------	-------	-------

* Standard polarity is cathode to case. For reverse polarity add "R" suffix to part number.