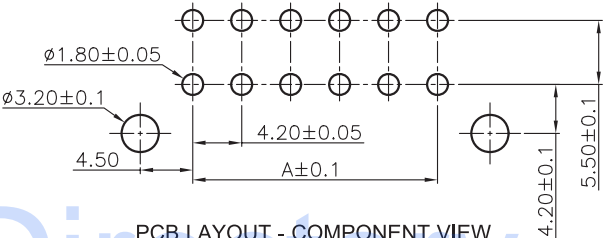


# Datasheet.Directory



PCB LAYOUT - COMPONENT VIEW

**TECHNICAL CHARACTERISTICS**

**MATERIAL**  
 INSULATOR: NYLON 66  
 FLAMABILITY RATING: UL94-V0  
 COLOR: WHITE  
 CONTACT MATERIAL: COPPER ALLOY  
 CONTACT TYPE: STAMPED  
 CONTACT PLATING: TIN  
 QUALITY CLASS: 25 MATING CYCLES  
 PITCH: 4.20 MM

**ENVIRONMENTAL**  
 OPERATING TEMPERATURE: -40 UP TO 105°C  
 COMPLIANCE: LEAD FREE AND ROHS

**ELECTRICAL**  
 CURRENT RATING: 6 TO 9 A

NB CIRCUITS	2-3	4-6	7-10	12-24
AMPERES	9	8	7	6

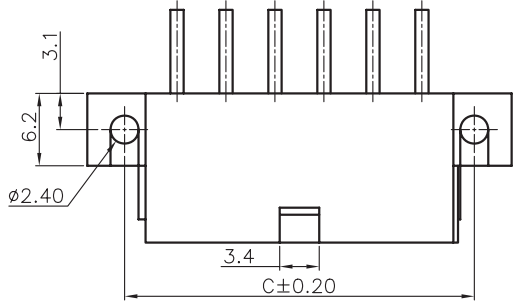
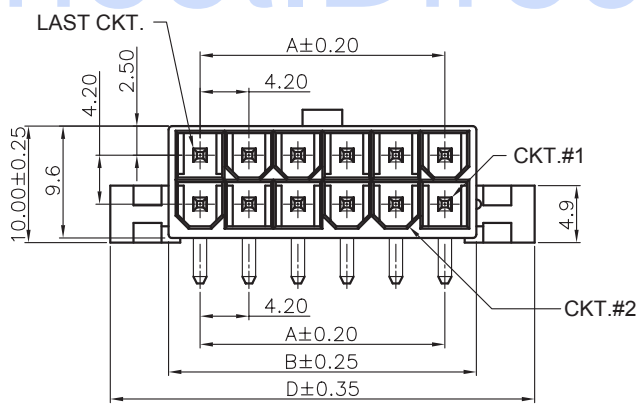
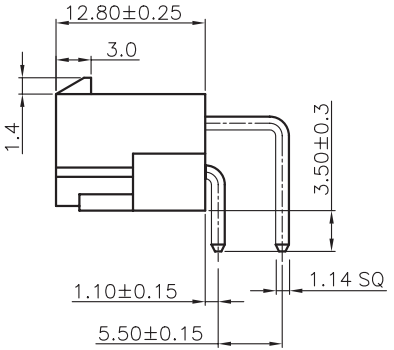
WORKING VOLTAGE: 600 VAC  
 INSULATOR RESISTANCE: >1000 MOHM  
 DIELECTRIC WITHSTANDING VOLTAGE: 1500 VAC/MN  
 CONTACT RESISTANCE: 10 MOHM MAX

**STANDARD**  
 CERTIFIED: E323964

**SOLDERING**  
 JEDEC LEAD FREE WAVE SOLDERING PROCESS

**PACKAGING**  
 TRAY

**DIMENSION**  
 A = 4.20 x (NB. PIN / 2 - 1)  
 B = 4.20 x (NB. PIN / 2) + 1.20  
 C = A + 9.00  
 D = A + 15.40



RoHS Compliant			
J			
I	01-JUL-15	PINNING	AK
H	13-FEB-14	CORRECTIONS	QL
REV	DATE	FILE	BY

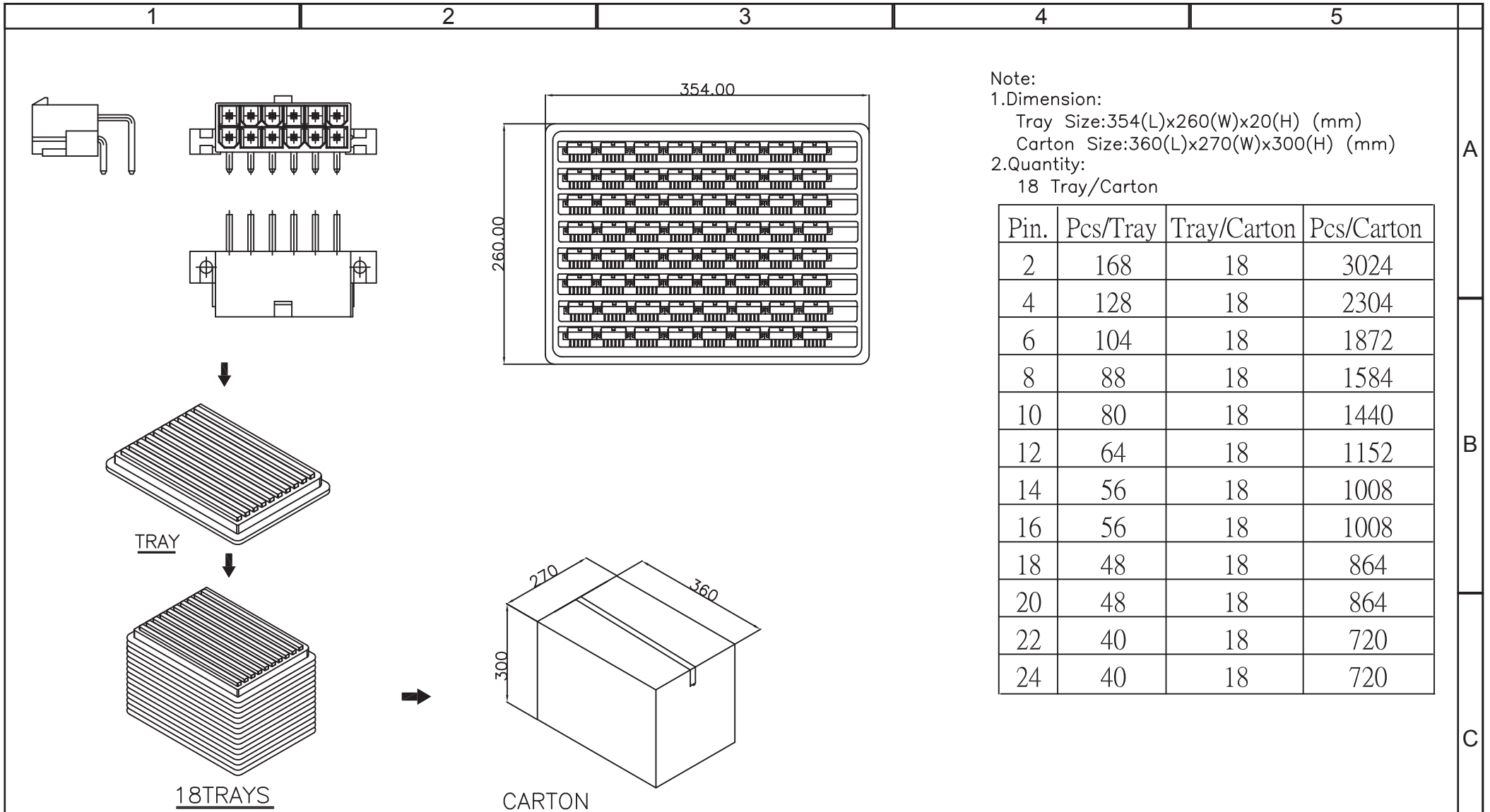
PROJECTION:			
APPROVAL: BBu			

GENERAL TOLERANCE	
.X =	$\pm 0.2$
.XX =	$\pm 0.15$

UNIT: MM
SCALE:
SHEET: 1/3
DRAW: MIKE

DESCRIPTION: 4.20MM MALE DUAL ROW RIGHT ANGLE HEADER WITH MOUNTING FLANGES	
WERI PART NO: 649 0xx 210 22	

SIZE	A4



RoHS Compliant

G			
F			
E			
D			
C			
B			
A			
REV	DATE	FILE	BY

PROJECTION:

GENERAL TOLERANCE  
 .X = +/- 0.2  
 .XX = +/- 0.15

APPROVAL: BBU

UNIT: MM  
 SCALE:  
 SHEET: 2/3  
 DRAW: PEARL



DESCRIPTION: 4.20MM MALE DUAL ROW RIGHT ANGLE HEADER WITH MOUNTING FLANGES  
 WERI PART NO: 649 0xx 210 22

SIZE  
**A4**

1

2

3

4

5

## Cautions and Warnings:

This electronic component is designed and developed with the intention for use in general electronics equipments.

Before incorporating the components into any equipments in the field such as aerospace, aviation, nuclear control, submarine, transportation, (automotive control, train control, ship control), transportation signal, disaster prevention, medical, public information network etc. where higher safety and reliability are especially required or if there is possibility of direct damage or injury to human body, Würth Elektronik must be asked for a written approval.

In addition, even electronic component in general electronic equipments, when used in electrical circuits that require high safety, reliability functions or performance, the sufficient reliability evaluation-check for the safety must be performed before by the user before usage.

A

B

C

RoHS Compliant

G				PROJECTION: 	GENERAL TOLERANCE .X = +/- 0.2 .XX = +/- 0.15		
F							
E							
D							
C				APPROVAL: JC	UNIT: MM	DESCRIPTION: DISCLAIMER	SIZE <b>A4</b>
B					SCALE:		
A	10-SEP-14	PDF	QL		SHEET: 3/3	WERI PART NO: DISCLAIMER	
REV	DATE	FILE	BY		DRAW: QL		

D

# Mouser Electronics

Authorized Distributor

Click to View Pricing, Inventory, Delivery & Lifecycle Information:

## Würth Electronics:

[64900821022](#) [64900221022](#) [64900621022](#) [64901021022](#) [64901421022](#) [64901621022](#) [64901821022](#)  
[64902021022](#) [64902221022](#)