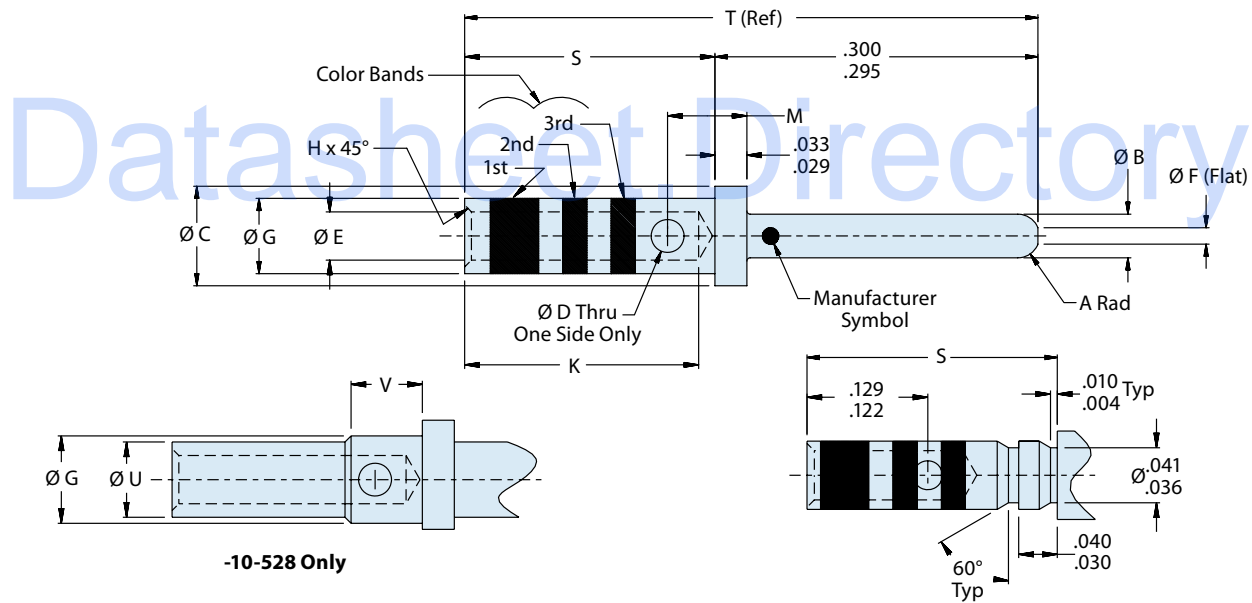


D38999
 Ser. I, II, III, IV

M24308
M55302
M83733
Standard Pin Crimp Contact for MIL-DTL-38999 Series I, II, III and IV Connectors
A


Mating End Size	Wire Accomodation	Military Part Number	Glenair Part Number
22	22-28 AWG	M39029/58-360	850-002-22-360
20	20-24 AWG	M39029/58-363	850-002-20-363
16	16-20 AWG	M39029/58-364	850-002-16-364
12	12-14 AWG	M39029/58-365	850-002-12-365
10	10 AWG	M39029/58-528	850-002-10-528


Material and Finish*

Pin Contact: Copper Alloy/Gold Plated
 Socket Contact: Copper Alloy/Gold Plated
 Socket Contact Hood: Passivated Stainless Steel

* See pages A-4 and A-5 for detailed material specifications

M39029/58
850-002
Standard Duty Electrical Pin Contact



AS39029

A

TABLE I: CONTACT DIMENSIONS

Size	Part Number	Military Number	A (rad)	ø B Min.	ø C	ø D	ø E	ø F	ø G	H
22	850-002-22-360	M39029/58-360	.020 .010	.0305 .0295	.062 .060	.022 .018	.0355 .0335	.011 max	.048 .046	.005 .003
20	850-002-20-363	M39029/58-363	.025 .020	.041 .039	.094 .091	.032 .026	.048 .046	.015 max	.070 .068	.010 .005
16	850-002-16-364	M39029/58-364	.025 .020	.0635 .0616	.130 .127	.042 .036	.068 .066	.030 .011	.103 .101	.010 .005
12	850-002-12-365	M39029/58-365	.025 .020	.095 .093	.182 .179	.042 .036	.102 .098	.062 .043	.151 .148	.016 .005
10	850-002-10-528	M39029/58-528	.025 .020	.126 .124	.242 .238	.052 .040	.140 .134	.094 .074	.213 .207	.016 .005

TABLE I (Continued): CONTACT DIMENSIONS

Size	Part Number	Military Number	K Min.	M	S	T (Ref)	ø U	V	Color Bands		
									1st	2nd	3rd
22	850-002-22-360	M39029/58-360	.141	–	.237 .231	.531	–	–	Orange	Blue	Black
20	850-002-20-363	M39029/58-363	.209	.078 .072	.237 .231	.531	–	–	Orange	Blue	Orange
16	850-002-16-364	M39029/58-364	.209	.088 .082	.237 .231	.531	–	–	Orange	Blue	Yellow
12	850-002-12-365	M39029/58-365	.209	.088 .082	.237 .231	.531	–	–	Orange	Blue	Green
10	850-002-10-528	M39029/58-528	.355	.115 .108	.405 .395	.698	.183 .177	.121 .111	Green	Red	Gray

TABLE II: TOOL COMPATIBILITY

Size	Part Number	Military Number	AWG Handling	Crimp Tool	Positioner	Insertion Tool	Extraction Tool
22	850-002-22-360	M39029/58-360	22, 24, 26, 28	M22520/2-01 M22520/7-01	M22520/2-09 M22520//7-07	M81969/14-01 M81969/8-01	M81969/14-01 M81969/8-02
20	850-002-20-363	M39029/58-363	20, 22, 24	M22520/7-01 M22520/2-01 M22520/1-01	M22520/7-08 M22520/2-10 M22520/1-04 (Red)	M81969/8-05 M81969/14-02	M81969/8-06 M81969/14-02
16	850-002-16-364	M39029/58-364	16, 18, 20	M22520/1-01 M22520/7-01	M22520/1-04 (Blue) M22520/7-04	M81969/8-07 M81969/14-03	M81969/8-08 M81969/14-03
12	850-002-12-365	M39029/58-365	12, 14	M22520/1-01	M22520/1-04 (Yellow)	M81969/8-09 M81969/14-04	M81969/8-10 M81969/14-04
10	850-002-10-528	M39029/58-528	10	Daniels 1716P-1	Daniels 1716P-1	M81969/14-05 and M81969/8-11	M81969/14-05 and M81969/8-12