



MOTOROLA

SEMICONDUCTORS

P.O. BOX 20912 • PHOENIX, ARIZONA 85036

SOT-23 SWITCHING DIODES

These devices are intended for high speed switching applications. . . .

- Various Voltage and Current Ratings
- Various Pin-Out Configurations
- Designed for Space-Saving Applications
- Epoxy Encapsulated
- Body Coated and Laser Marked for Ease of Identification
- Available in 8 mm Tape and Reel
- Can be used with Reflow or Wave Solder Processes
- Package Options — Low Profile or Standard Lead Form

MAXIMUM RATINGS

Rating	Symbol	Value	Unit
Reverse Voltage MMBD2837X MBAV74/MMBD2838X MBAL99/MBAV70/99/MBAW56/MMBD914X/ 2835X/2836X/6050X MBAS16	V_R	30 50 70 75	V
Forward Current MBAL99/MBAV99/MMBD2835X/2836X/2838X MMBD2837X MBAS16/MBAV70/74/MBAW56/MMBD914X/ MMBD6050X		100 150 200	mA

THERMAL CHARACTERISTICS

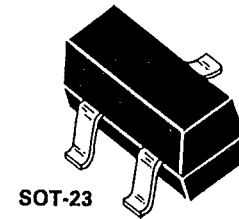
Characteristic	Symbol	Max	Unit
Total Device Dissipation, $T_A = 25^\circ\text{C}$ * Derate above 25°C	P_D	350 2.8	mW mW/°C
Storage Temperature	T_{stg}	150	°C
Thermal Resistance Junction to Ambient*	$R_{\theta JA}$	357	°C/W

*Package mounted on 99.5% alumina 10 x 8 x 0.6 mm.

MBAL99
MBAS16
MBAV70
MBAV74
MBAV99
MBAW56

MMBD914X
MMBD2835X
MMBD2836X
MMBD2837X
MMBD2838X
MMBD6050X

HI SPEED SWITCHING DIODES



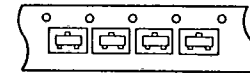
SOT-23

ORDERING INFORMATION

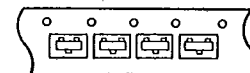
- No Suffix = Standard Lead Form, Bulk Package
- L Suffix = Low Profile Lead Form, Bulk Package
- T1 Suffix = Standard Lead Form, 8 mm Tape and Reel (Option 1)*
- T2 Suffix = Standard Lead Form, 8 mm Tape and Reel (Option 2)*
- LT1 Suffix = Low Profile Lead Form, 8 mm Tape and Reel (Option 1)*
- LT2 Suffix = Low Profile Lead Form, 8 mm Tape and Reel (Option 2)*

Orientation of the Device in 8 mm Embossed Tape

*Option 1 (Preferred)



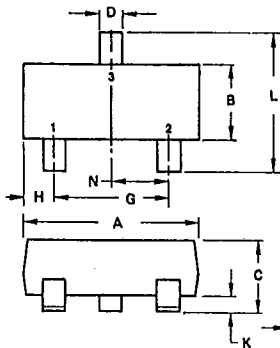
*Option 2



Tape and Reel Information

Minimum order quantity — 9,000

Order must be in increments of 3,000



STYLE 8:
PIN 1. ANODE
2. NO CONNECTION
3. CATHODE

{ MBAS16
MMBD914X
MMBD6050X

STYLE 9:
PIN 1. ANODE
2. ANODE
3. CATHODE

{ MBAV70/74
MMBD2837X
MMBD2838X

STYLE 11:
PIN 1. ANODE
2. CATHODE
3. CATHODE-ANODE

MBAV99

STYLE 12:
PIN 1. CATHODE
2. CATHODE
3. ANODE

{ MBAW56
MMBD2835X
MMBD2836X

STYLE 18:
PIN 1. NO CONNECTION
2. CATHODE
3. ANODE

MBAV99

NOTES:

1. DIMENSIONING AND TOLERANCING PER ANSI Y14.5, 1982.
2. CONTROLLING DIMENSION: MILLIMETERS.

DIM	MILLIMETERS		INCHES	
	MIN	MAX	MIN	MAX
A	2.80	3.04	0.1102	0.1197
B	1.20	1.40	0.0472	0.0551
C	0.85	1.20	0.033	0.0472
D	0.37	0.46	0.015	0.0177
F	0.085	0.13	0.0034	0.0051
G	1.78	2.04	0.0701	0.0807
H	0.51	0.60	0.020	0.0236
K	0.10	0.25	0.004	0.0098
L	2.10	2.50	0.083	0.0984
M	0.45	0.60	0.018	0.0236
N	0.89	1.02	0.035	0.0401

DIM	MILLIMETERS		INCHES	
	MIN	MAX	MIN	MAX
A	2.80	3.04	0.1102	0.1197
B	1.20	1.40	0.0472	0.0551
C	0.89	1.04	0.035	0.0412
D	0.37	0.46	0.015	0.0177
F	0.085	0.13	0.0034	0.0051
G	1.78	2.04	0.0701	0.0807
H	0.51	0.60	0.020	0.0236
K	0.013	0.10	0.0005	0.0040
L	2.10	2.50	0.083	0.0984
M	0.45	0.60	0.018	0.0236
N	0.89	1.02	0.035	0.0401

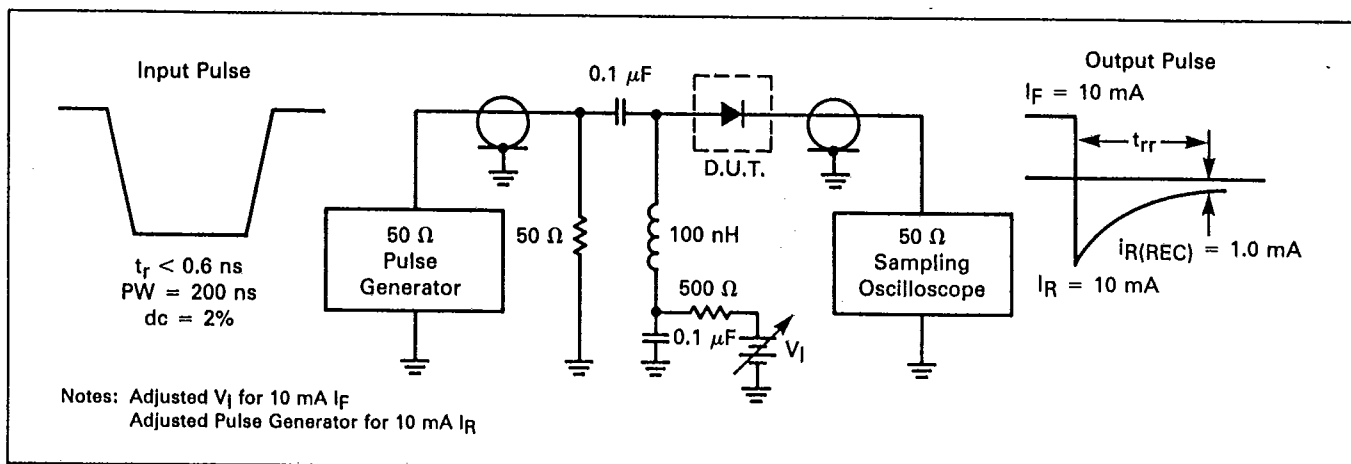
CASE 318-02
TO-236AA
STANDARD

CASE 318-03
TO-236AB
LOW PROFILE

ELECTRICAL CHARACTERISTICS ($T_A = 25^\circ\text{C}$ unless otherwise noted.)

59 DE 6367255 0061865 1

Characteristic	Symbol	Min	Max	Unit
OFF CHARACTERISTICS				
Reverse Voltage Leakage Current ($V_R = 30\text{ V}$) MMBD2835X/2837X ($V_R = 50\text{ V}$) MMBD2836X/2838X/6050X ($V_R = 70\text{ V}$) MBAL99/MBAV99/MBAW56 MBAV70 ($V_R = 75\text{ V}$) MBAS16 MMBD914X	I_R	—	0.1 0.1 2.5 5.0 1.0 5.0	μA
Reverse Breakdown Voltage ($I_{(BR)} = 100\ \mu\text{A}$) MMBD914X/MMBD2837X MMBD2836X MBAL99/MBAV70/MBAW56/MMBD6050X MBAS16/MMBD2835X/MMBD2837X/2838X ($I_{(BR)} = 5.0\ \mu\text{A}$) MBAV74	$V_{(BR)}$	100 75 70 35 50	—	V
Forward Voltage ($I_F = 1.0\text{ mA}$) MBAL99/MBAS16/MBAV70/99/MBAW56 MMBD6050X ($I_F = 10\text{ mA}$) MBAL99/MBAS16/MBAV70/99/MBAW56 MMBD914X/2835X/2836X/2837X/2838X ($I_F = 50\text{ mA}$) MMBD2835X/2836X/2837X/2838X MBAL99/MBAS16/MBAV70/99/MBAW56 ($I_F = 100\text{ mA}$) MBAV74 MMBD6050X MMBD2835X/2836X/2837X/2838X MBAL99/MBAS16/MBAV70/99/MBAW56	V_F	—	.715 1.0 .855 1.0 1.0 1.1 1.0 1.1 1.2 1.3	V
Diode Capacitance ($V_R = 0, f = 1.0\text{ MHz}$) MBAL99/MBAV70/99 MBAS16/MBAV74 MBAW56/MMBD6050X MMBD914X/2835X/2836X/2837X/2838X	C_t	—	1.5 2.0 2.5 4.0	pF
Reverse Recovery Time ($I_F = I_R = 10\text{ mA}$, measured at $I_R = 1.0\text{ mA}$) (Figure 1)	t_{rr}	—	15	ns

FIGURE 1 — t_{rr} REVERSE RECOVERY TIME TEST CIRCUIT

Motorola reserves the right to make changes without further notice to any products herein to improve reliability, function or design. Motorola does not assume any liability arising out of the application or use of any product or circuit described herein; neither does it convey any license under its patent rights nor the rights of others. Motorola and $\text{\textcircled{M}}$ are registered trademarks of Motorola, Inc. Motorola, Inc. is an Equal Employment Opportunity/Affirmative Action Employer.



MOTOROLA Semiconductor Products Inc.

BOX 20912 • PHOENIX, ARIZONA 85036 • A SUBSIDIARY OF MOTOROLA INC.