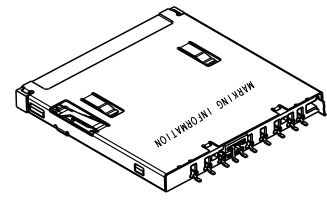
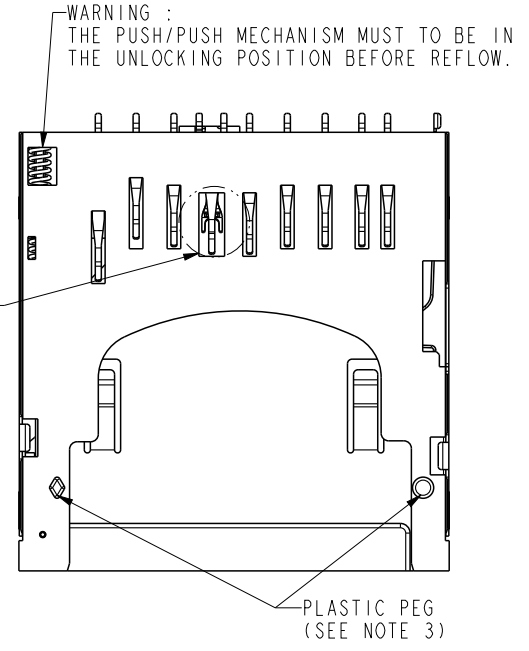
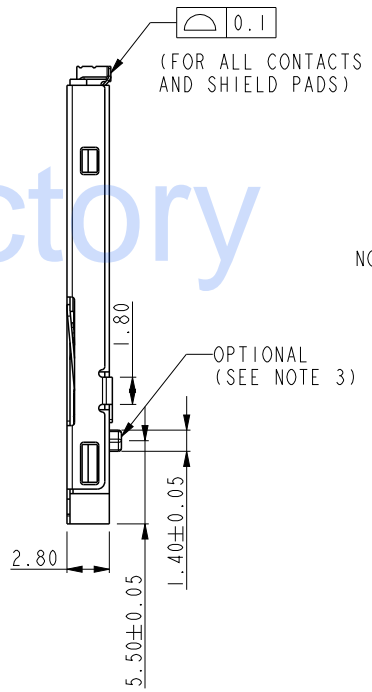
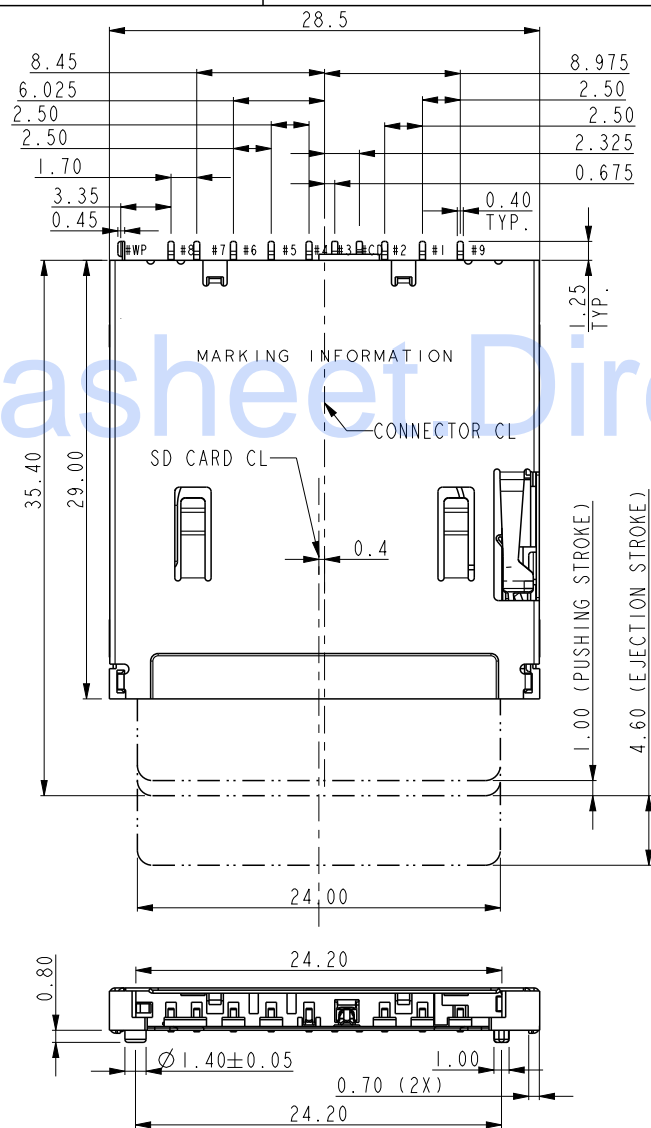




Copyright FCI.

Datasheet Directory



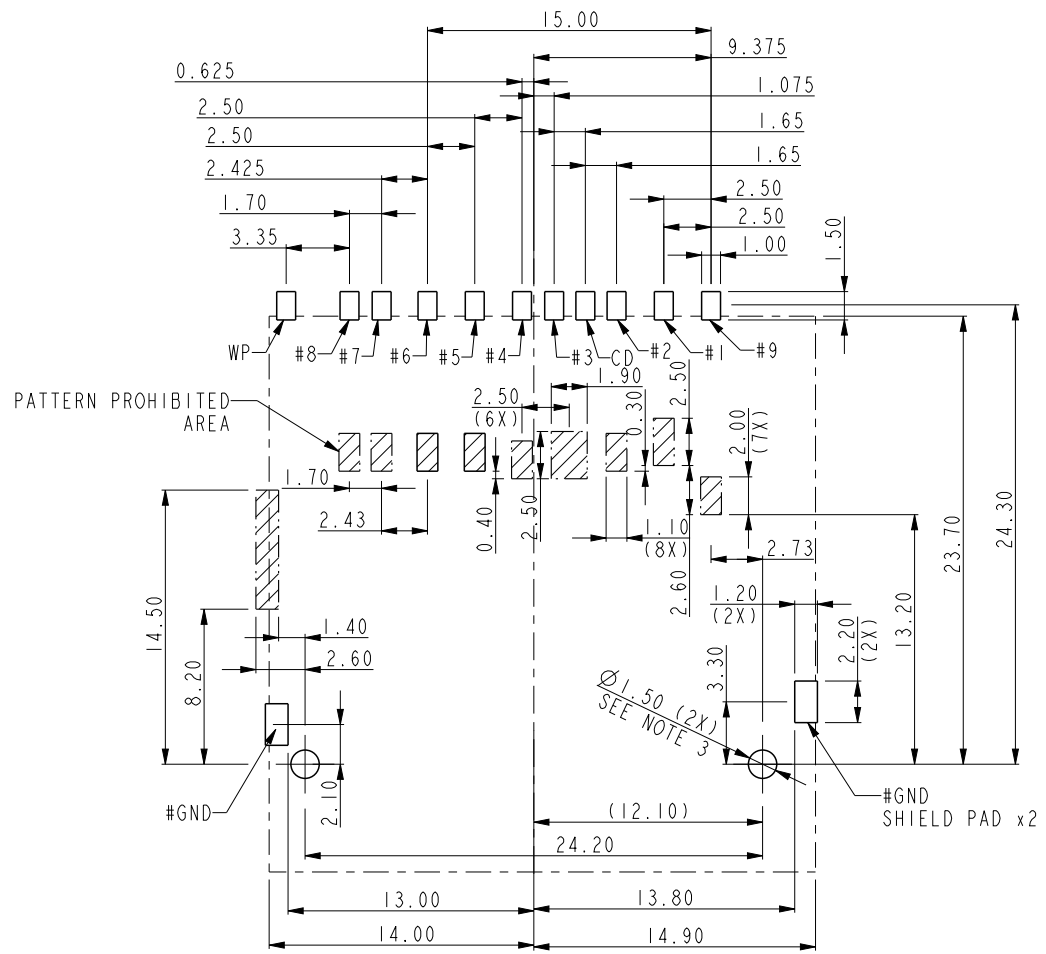
PART NUMBER (NOTE 3)	
10067847-0XXX	10067847-4XXX

spec ref	RELEASED	dr	Bill Lin	2008/09/28	projection	MM	size	A4	scale	1.000
tolerance std	TOLERANCES UNLESS OTHERWISE SPECIFIED	eng	Henry Guo	2014/09/23			ecn no	ELX-N-18850-1		
ASME Y14.5		chr	-	-	product family			SD	rel level	Released
surface	linear	0.X	±0.30		title	ASSEMBLY	dwg no	10067847	rev	K
		0.XX	±0.20							
0.XXX	±0.10									
angular	0°	±2°	www.fci.com	cat. no.	10067847	Product - Customer Drw	sheet 1 of 3			

ProjE File - REV C - 2009-06-09



Copyright FCI.



RECOMMENDED PCB LAYOUT
(FOR 10067847-0XXXLF)

dr	Bill Lin	2008/09/28	projection 	MM 	size	A4	scale	1.000
eng	Henry Guo	2014/09/23			ecn no	ELX-N-18850-1		
chr	-	-			rel level	Released		
appr	Feagle Pan	2014/09/24	product family	SD	rev	K		
www.fci.com		cat. no.	10067847	Product - Customer Drw	sheet 2 of 3			

NOTES:

- 1. MATERIAL
HOUSING : HIGH TEMPERATURE THERMOPLASTIC RESIN.
CONTACT : COPPER ALLOY
SHIELD : STAINLESS.
- 2 PLATING:
CONTACT : 50u" NICKEL UNDERPLATED ALL OVER.
100u" MATTE TIN ON SOLDER TAIL AREA.
GOLD PLATED ON CONTACT AREA (SEE CONTACT PLATING IN NOTE 3).

3. PART NUMBER DESCRIPTION:

10067847-X X X X X

- LF: LEAD FREE PACKING
- R : TAPE & REEL
- T : TRAY PACKAGING
- CONTACT PLATING :
1: 50u" Au OVER Ni
0: WITH PLASTIC PEG
1: WITHOUT PLASTIC PEG
- BASE HOUSING
0: STANDARD TYPE
4: CUSTOMIZED TYPE

PIN ASSIGNMENT

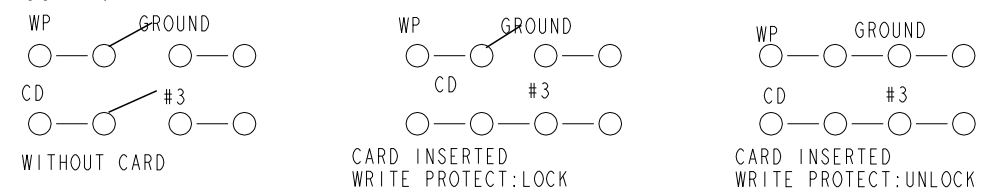
NO.	DESCRIPTION
#1	CD/DAT3
#2	CMD
#3	VSS
#4	VDD
#5	CLK
#6	VSS
#7	DAT0
#8	DAT1
#9	DAT2
#CD	CARD DETECTION
#WP	WRITE PROTECT
#GND	GROUND

4 MARKING INFORMATION

PXXXXXXXXXX

- V2: UD321 LUBRICANT
- V3: UD321 LUBRICANT WITH ENGINEERING CHANGE BASED ON PCN09116.
- PRODUCTION LINE CODE
- DATE CODE THROUGH 01 TO 31
- WEEK NUMBER 01 THROUGH 53
- YEAR CODE:
MOST RIGHT OF DIGIT OF PRODUCTION.
(e.g. 2008=8)
- MANUFACTURE SITE; 1.FOR NANTONG 2 FOR DONGGUAN
- SOURCE; P FOR CHINA

CIRCUIT :



Copyright FCI.

dr	Bill Lin	2008/09/28	projection 	MM 	size	A4	scale	1.000	
eng	Henry Guo	2014/09/23			ecn no	ELX-N-18850-1			
chr	-	-			rel level	Released			
appr	Feagle Pan	2014/09/24	product family	SD	rev				
		title	ASSEMBLY		dwg no	10067847		rev	K
www.fci.com		cat. no.	10067847	Product - Customer Drw			sheet 3 of 3		