

# Molded IR Receiver Packaging Options

Vishay Semiconductors



## IR Receiver Modules for Remote Control Systems

Vishay offers stock Molded IR Receivers in four different packages: loose packed in tubes, mounted on tape for reel or ammpack, or packed bulk in plastic bags.

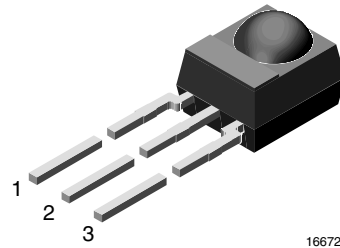
### Features

- Compliant with RoHS 2002/95/EC and WEEE 2002/96/EC



### Available for:

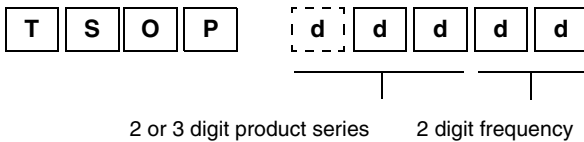
- TSOP344..
- TSOP348..
- TSOP341..
- TSOP44...
- TSOP48...
- TSOP41...
- TSOP324..
- TSOP322..
- TSOP321..
- TSOP24...
- TSOP22...
- TSOP21...
- TSOP14838
- TSOP12238



Datasheet.Directory

### Loose packed in tube

### Ordering Information



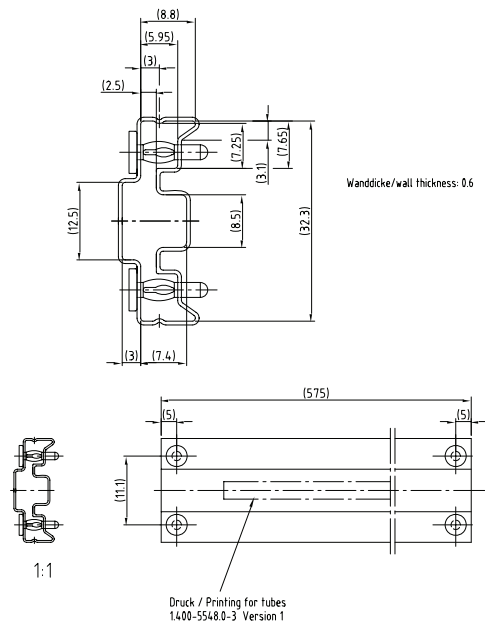
Note:  
d = "digit", please consult the list of available devices to create a valid part number.

**Example: TSOP4838**

### Packing Quantity

- 90 pieces per tube
- 24 tubes per carton

### Packaging Dimensions in millimeters



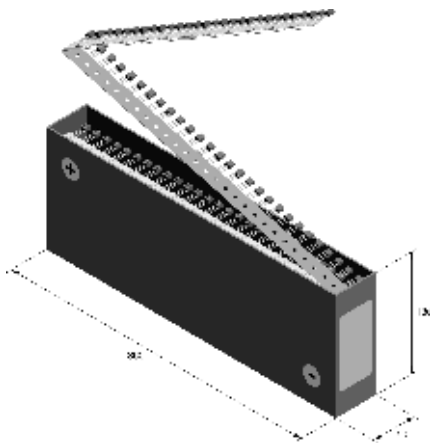
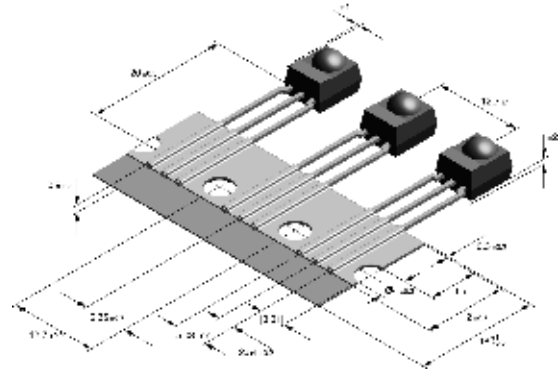
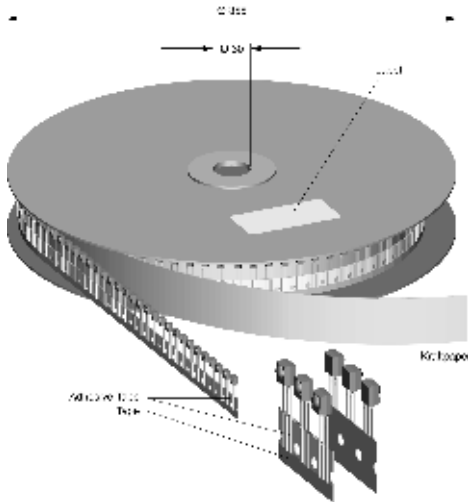
Drawing-No.: 9.700-5185.0-4  
Rev. 13; Date: 20.11.03  
20273-1

## Tape and Reel/Ammopack

Up to 3 consecutive components may be missing if the gap is followed by at least 6 components. A maximum of 0.5 % of the components per reel quantity may be missing. At least 5 empty positions are present at the start and the end of the tape to enable insertion.

Tensile strength of the tape: > 15 N

Pulling force in the plane of the tape, at right angles to the reel: > 5 N



## Ordering Information

T S O P

2 or 3 digit product series

d d d d d

2 digit frequency

S S 1

SS1 for T&R,  
Bulk or Ammpack

B S d d

Tape and reel  
dd = 12 or 21

Z

Ammpack

Note:

d = "digit", please consult the list of available devices to create a valid part number.

**Example: TSOP4838SS1BS12**  
**TSOP12238SS1BS12Z**

## Packing Quantity

- 1000 pieces per reel
- 1000 pieces per ammpack

# Molded IR Receiver Packaging Options

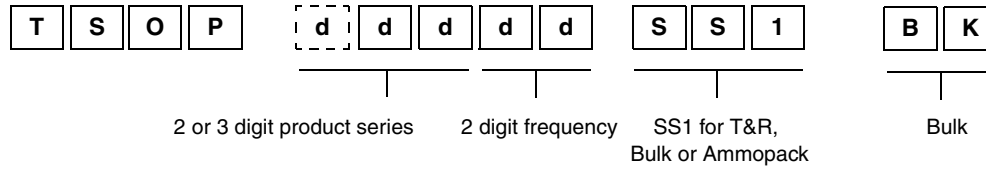


Vishay Semiconductors

## Bulk Packaging

The option "BK" signifies bulk packaging in conductive plastic bags. A maximum of 0.3 % of the components per box may be missing.

## Ordering Information



Note:

d = "digit", please consult the list of available devices create a valid part number.

**Example: TSOP4838SS1BK**  
**TSOP12238SS1BK**

## Packing Quantity

- 250 pieces per bag (each bag is individually boxed)
- 6 bags per carton