

Fig.	Contact Arrangement	Coil Voltage	Coil Current (mA)	Contact Rating (A)	Features	Brand Name	Digi-Key Part No.	Price Each	1	25	50	Mfg. Part No.			
JWD Series Relay															
1A	SPDT	5 VDC	10.0	0.5	Without Diode	Potter & Brumfield	PB824-ND	8.50	7.44	6.73	JWD-172-1				
		12 VDC	24.0				PB825-ND	9.50	8.32	7.53	JWD-172-3				
		24 VDC	10.9				PB826-ND	9.94	8.70	7.87	JWD-172-4				
1B	SPST-NO	5 VDC	10.0	0.5	Without Diode	Potter & Brumfield	PB888-ND	8.50	7.44	6.73	JWD-172-5				
		12 VDC	24.0				PB887-ND	9.94	8.70	7.87	JWD-172-7				
		24 VDC	10.9				PB828-ND	9.50	8.32	7.53	JWD-172-8				
1C	DPST-NO	5 VDC	10.0	0.5	Without Diode	Potter & Brumfield	PB692-ND	4.37	3.83	3.46	JWD-107-1				
		12 VDC	10.0				PB693-ND	4.34	3.81	3.44	JWD-107-3				
		24 VDC	11.6				PB823-ND	7.30	6.39	5.78	JWD-171-5				
2	SPDT	5 VDC	10.0	0.5	With Diode	Potter & Brumfield	PB689-ND	5.18	4.54	4.11	JWD-107-5				
		12 VDC	10.0				PB690-ND	5.18	4.54	4.11	JWD-107-7				
		24 VDC	11.6				PB694-ND	5.59	4.90	4.43	JWD-171-10				
3	SPDT	5 VDC	10.0	0.5	With Diode	Potter & Brumfield	PB818-ND	6.79	5.95	5.38	JWD-171-17				
		12 VDC	10.0				PB819-ND	6.50	5.70	5.15	JWD-171-23				
		24 VDC	10.0				PB820-ND	7.30	6.39	5.78	JWD-171-24				
4	SPDT	5 VDC	10.0	0.5	With Diode	Potter & Brumfield	PB691-ND	7.30	6.39	5.78	JWD-171-25				
		12 VDC	10.0				PB821-ND	7.30	6.39	5.78	JWD-171-27				
		24 VDC	11.6				PB822-ND	7.30	6.39	5.78	JWD-171-28				
T7C Series — Economical Relay (Ideal for Appliance and Automotive Applications)															
2	SPDT	5 VDC	71.4	12	Sealed Type	Potter & Brumfield	PB335-ND	1.66	1.45	1.32	T7CS5D-05				
		6 VDC	60.0				PB336-ND	1.66	1.45	1.32	T7CS5D-06				
		12 VDC	30.0				PB337-ND	1.66	1.45	1.32	T7CS5D-12				
		24 VDC	15.0				PB338-ND	1.66	1.45	1.32	T7CS5D-24				
		5 VDC	71.4				12	Flux-Tight	Potter & Brumfield	PB1003-ND	1.61	1.41	1.28	T7CV5D-05	
12 VDC	30.0	PB441-ND	1.61	1.41	1.28	T7CV5D-12									
24 VDC	15.0	PB1004-ND	1.61	1.41	1.28	T7CV5D-24									
PC Mount Socket for T7C and ORWH Relays								1.06	.93	.84	27E1064				
T7N Series Power Relay															
3	SPST-NO	12 VDC	30.0	10	Low Profile	Potter & Brumfield	PB1005-ND	1.46	1.29	1.16	T7NSD1-12				
		24 VDC	15.0				PB1006-ND	1.46	1.29	1.16	T7NSD1-24				
		5 VDC	71.5				10	Low Profile	Potter & Brumfield	PB379-ND	1.51	1.33	1.20	T7NSD1-05	
12 VDC	30.0	PB380-ND	1.51	1.33	1.20	T7NSD1-12									
24 VDC	15.0	PB381-ND	1.51	1.33	1.20	T7NSD1-24									
3	SPDT	5 VDC	7.5	10	Low Profile	Potter & Brumfield	PB382-ND	1.92	1.68	1.52	T7NSD1-48				
		48 VDC	7.5												
SRUDH Series Relay															
4	SPDT	12 VDC	30.0	12	Sealed Type	OEG	PB1001-ND	1.20	1.05	.95	SRUDH-SH-112D1,000				
		24 VDC	15.0				PB1002-ND	1.25	1.10	.99	SRUDH-SH-124D1,000				
NEW! ORWH Series Relay NEW!															
5	SPDT	12 VDC	30.0	10	Sealed Type	OEG	PB1128-ND	1.15	1.01	.92	ORWH-SH-112H3F,000				
		24 VDC	15.0				PB1127-ND	1.20	1.05	.95	ORWH-SH-124H3F,000				
T73 Series — Low Profile Relay - Meets 3,500 Volt Surge															
6	SPDT	5 VDC	89.0	10	UL Class F	Potter & Brumfield	PB364-ND	2.35	2.06	1.87	T73SD15-05				
		12 VDC	37.5				PB365-ND	2.35	2.06	1.87	T73SD15-12				
		24 VDC	20.9				PB366-ND	2.35	2.06	1.87	T73SD15-24				
ODUH Series Relay — RoHS Compliant															
6	SPDT	12 VDC	37.5	10	Flux-Tight	OEG	PB888-ND	1.63	1.43	1.30	ODUH-SS-112D,000				
T75 Series — Miniature Relay															
7	SPDT	5 VDC	42.4	14	Low Profile, Sealed Type	Potter & Brumfield	PB442-ND	3.55	3.11	2.82	T75SD112-05				
		12 VDC	18.5				PB443-ND	4.97	4.35	3.94	T75SD112-12				
		24 VDC	10.6				PB444-ND	4.25	3.72	3.37	T75SD112-24				
T77 Series Power Relay — Sealed and Semi-sealed															
8	SPST-NO	5 VDC	90.0	10	Sealed Type	Potter & Brumfield	PB367-ND	1.70	1.50	1.35	T77S1D10-05				
		12 VDC	37.5				PB368-ND	1.70	1.50	1.35	T77S1D10-12				
		24 VDC	18.75				PB369-ND	1.70	1.50	1.35	T77S1D10-24				
	8	SPST-NO	5 VDC	40.0	3	Sealed Type	Potter & Brumfield	PB370-ND	1.70	1.50	1.35	T77S1D03-05			
			12 VDC	16.7				PB371-ND	1.70	1.50	1.35	T77S1D03-12			
			24 VDC	8.3				PB372-ND	1.70	1.50	1.35	T77S1D03-24			
8	SPST-NO	5 VDC	18.75	10	Flux-Tight	Potter & Brumfield	PB445-ND	1.70	1.50	1.35	T77V1D10-24				
		24 VDC	18.75												
T81 Series — High Density Telcom Relay															
9	SPDT	5 VDC	89.5	0.5	High Sensitivity	Potter & Brumfield	PB446-ND	3.26	2.86	2.59	T81H5D312-05				
		12 VDC	17.1				PB740-ND	3.79	3.32	3.01	T81H5D312-12				
		24 VDC	8.6				PB741-ND	3.26	2.86	2.59	T81H5D312-24				
		12 VDC	37.5				0.5	Standard Sensitivity	Potter & Brumfield	PB447-ND	4.01	3.51	3.18	T81N5D312-12	
24 VDC	18.75	PB448-ND	3.17	2.78	2.51	T81N5D312-24									
OMI/OMIH Series Relay															
10	SPDT	12 VDC	60.0	10	Sealed Type	OEG	PB878-ND	1.49	1.31	1.18	OMI-SH-112D,394				
		12 VDC	44.4				PB879-ND	1.75	1.54	1.39	OMI-SH-112L,394				
		24 VDC	29.3				PB880-ND	1.75	1.54	1.39	OMI-SH-124D,300				
	24 VDC	21.8	PB881-ND				1.78	1.56	1.41	OMI-SH-124L,394					
	10	DPDT	12 VDC				60.0	5	Sealed Type	OEG	PB882-ND	2.59	2.27	2.06	OMI-SH-212D,594
			24 VDC				21.8				PB883-ND	2.28	2.00	1.81	OMI-SH-224L,594
10	SPDT	5VDC	106.4	16	High Current	OEG	PB1038-ND	2.14	1.87	1.70	OMIH-SH-105L,394				
		12 VDC	44.4				PB885-ND	2.14	1.87	1.70	OMIH-SH-112L,394				
OMR Series Relay															
11	SPST-NO	6 VDC	24.0	0.5	Open Style	OEG	PB886-ND	1.20	1.05	.95	OMR-106H,V000				
		12 VDC	11.4				PB887-ND	2.33	2.04	1.85	OMR-112H,V000				
PCN Series Relay															
12	SPST-NO	24 VDC	5.0	3	Slim Sip	OEG	PB906-ND	1.78	1.56	1.41	PCN-124D3MHZ,000				

† Cut Tape ‡ Tape and Reel

(Continued)

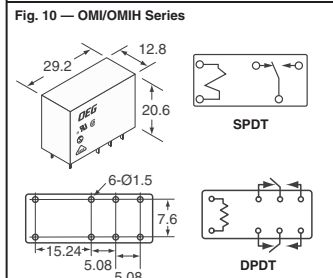
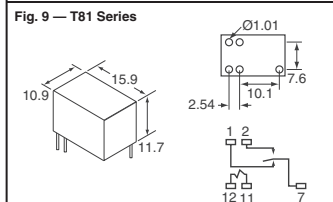
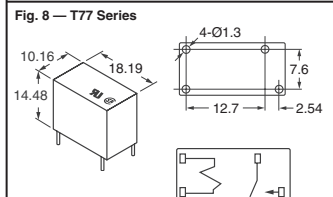
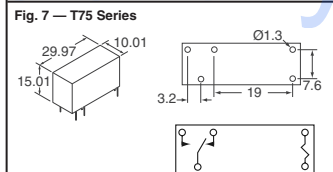
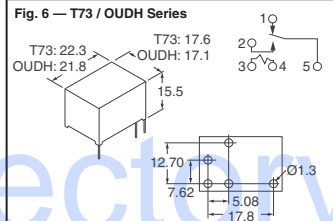
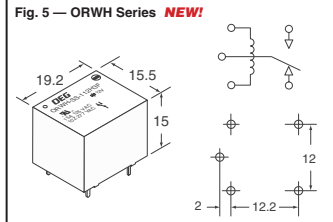


Fig. 11 — OMR Series

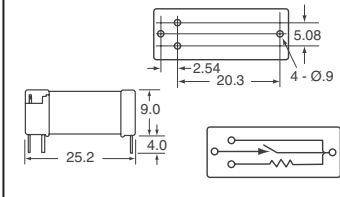


Fig. 12 — PCN Series

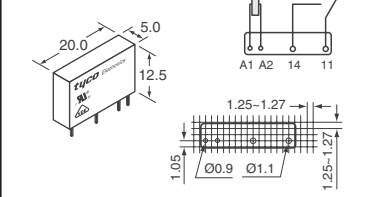


Fig. 13 — IM Series **NEW!**

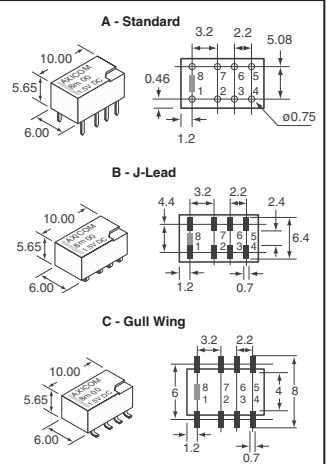
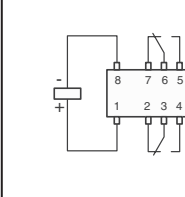
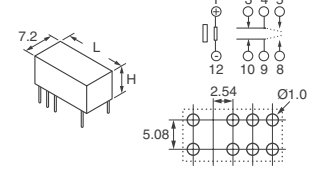


Fig. 14 — V23079 Series



Type	Dimensions - mm	
	L	H
Through-Hole Standard Coil	14.5	9.3
Through-Hole Overmolded Coil	14.6	9.5
SMT Long Pin, Standard Coil	14.5	10.4
SMT Long Pin, Overmolded Coil	14.6	9.9
SMT Short Pin, Overmolded Coil	14.6	9.9

Fig. 15 — V23105 Series

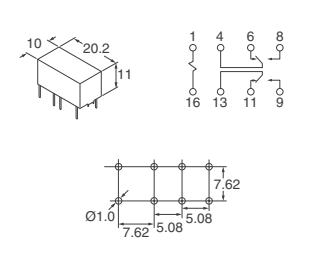


Fig. 16 — V23026 Series

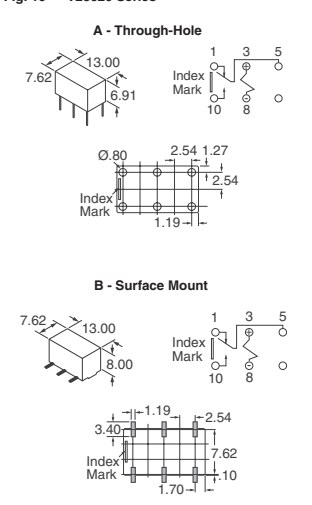


Fig.	Contact Arrangement	Coil Voltage	Coil Current (mA)	Contact Rating (A)	Features	Brand Name	Digi-Key Part No.	Price Each	1	25	50	Mfg. Part No.		
NEW! IM Series — Compact Telecom Relay NEW!														
13A	DPDT	3 VDC	46.8	2	Through-Hole Standard	Axicom	PB1092-ND	2.38	2.08	1.89	IM01TS			
		4.5 VDC	31.0				PB1093-ND	2.38	2.08	1.89	IM02TS			
		5 VDC	28.0				PB1094-ND	2.38	2.08	1.89	IM03TS			
		6 VDC	23.3				PB1095-ND	2.38	2.08	1.89	IM04TS			
		12 VDC	11.6				PB1096-ND	2.57	2.25	2.04	IM06TS			
		24 VDC	8.3				PB1097-ND	2.81	2.46	2.23	IM07TS			
13B	DPDT	3 VDC	46.8	2	SMT J-Lead	Axicom	PB1098CT-ND†	2.38	2.08	1.89	IM01JR			
		3 VDC	46.8				PB1098TR-ND‡	1238.00/1,000			IM01JR			
		4.5 VDC	31.0				PB1099CT-ND†	2.38	2.08	1.89	IM02JR			
		4.5 VDC	31.0				PB1099TR-ND‡	1238.00/1,000			IM02JR			
		5 VDC	28.0				PB1100CT-ND†	2.38	2.08	1.89	IM03JR			
		5 VDC	28.0				PB1100TR-ND‡	1238.00/1,000			IM03JR			
13C	DPDT	3 VDC	46.8	2	SMT Gull Wing	Axicom	PB1060CT-ND†	2.38	2.08	1.89	IM01GR			
		3 VDC	46.8				PB1060TR-ND‡	1238.00/1,000			IM01GR			
		4.5 VDC	31.0				PB1089CT-ND†	2.38	2.08	1.89	IM02GR			
		4.5 VDC	31.0				PB1089TR-ND‡	1238.00/1,000			IM02GR			
		5 VDC	28.0				PB1061CT-ND†	2.38	2.08	1.89	IM03GR			
		5 VDC	28.0				PB1061TR-ND‡	1238.00/1,000			IM03GR			
		12 VDC	11.6	PB1062CT-ND†	2.57	2.25	2.04	IM06GR						
		12 VDC	11.6	PB1062TR-ND‡	1338.00/1,000			IM06GR						
		24 VDC	8.3	PB1090CT-ND†	2.81	2.46	2.23	IM07GR						
		24 VDC	8.3	PB1090TR-ND‡	1463.00/1,000			IM07GR						
		4.5 VDC	22.1	2	SMT Gull Wing, Latching	Axicom	PB1063CT-ND†	2.81	2.46	2.23	IM42GR			
		4.5 VDC	22.1				PB1063TR-ND‡	1463.00/1,000			IM42GR			
5 VDC	20.0	PB1064CT-ND†	2.81				2.46	2.23	IM43GR					
5 VDC	20.0	PB1064TR-ND‡	1463.00/1,000						IM43GR					
12 VDC	8.3	PB1091CT-ND†	2.98				2.61	2.36	IM46GR					
12 VDC	8.3	PB1091TR-ND‡	1550.00/1,000						IM46GR					
V23079 / P2 Series — FCC Part 68, High Dielectric Relay														
14	DPDT	12 VDC	11.6	5	Through-Hole Latching, Standard Coil	Axicom	PB1085-ND NEW!	2.78	2.44	2.21	V23079B1203B301			
		24 VDC	5.8				PB1084-ND NEW!	2.42	2.13	1.92	V23079B1205B301			
		5 VDC	28.0	5	Through-Hole, Standard Coil	Axicom	PB288-ND	2.21	1.94	1.75	V23079A1001B301			
		12 VDC	11.6				PB289-ND	2.21	1.94	1.75	V23079A1003B301			
		24 VDC	5.85	PB290-ND	2.40	2.10	1.90	V23079A1005B301						
		5 VDC	28.0	5	Through-Hole, Overmolded Coil	Axicom	PB1059-ND NEW!	2.21	1.94	1.75	V23079A2001B301			
	12 VDC	11.6	PB1058-ND NEW!				2.21	1.94	1.75	V23079A2003B301				
	5 VDC	28.0	5	SMT Long Pins, Standard Coil	Axicom	PB1083CT-ND† NEW!	2.42	2.13	1.92	V23079D1001B301				
	5 VDC	28.0				PB1083TR-ND‡ NEW!	505.20/400			V23079D1001B301				
	12 VDC	11.6				PB1057CT-ND† NEW!	2.42	2.13	1.92	V23079D1003B301				
	12 VDC	11.6				PB1057TR-ND‡ NEW!	505.20/400			V23079D1003B301				
	24 VDC	5.8				PB1056CT-ND† NEW!	2.66	2.34	2.11	V23079D1005B301				
	24 VDC	5.8				PB1056TR-ND‡ NEW!	555.20/400			V23079D1005B301				
	5 VDC	14.0	5	SMT Long Pins, Latching, Standard Coil	Axicom	PB1079CT-ND† NEW!	2.71	2.38	2.15	V23079F1101B301				
	5 VDC	14.0				PB1079TR-ND‡ NEW!	565.20/400			V23079F1101B301				
	5 VDC	28.0				PB1080CT-ND† NEW!	2.86	2.50	2.27	V23079E1201B301				
	5 VDC	28.0				PB1080TR-ND‡ NEW!	595.20/400			V23079E1201B301				
	5 VDC	28.0				5	SMT Long Pins, Overmolded Coil	Axicom	PB1082CT-ND† NEW!	2.42	2.13	1.92	V23079D2001B301	
5 VDC	28.0	PB1082TR-ND‡ NEW!							2526.00/2,000			V23079D2001B301		
12 VDC	11.6	5	SMT Long Pins, Overmolded Coil	Axicom	PB1081CT-ND† NEW!	2.86	2.50	2.27	V23079D2003B301					
12 VDC	11.6				PB1081TR-ND‡ NEW!	595.20/400			V23079D2003B301					
12 VDC	11.6	5	SMT Short Pins, Overmolded Coil	Axicom	PB1078CT-ND† NEW!	2.42	2.13	1.92	V23079G2003B301					
12 VDC	11.6				PB1078TR-ND‡ NEW!	631.50/500			V23079G2003B301					
V23105 / D2n Series — High Sensitivity Relay														
15	DPDT	5 VDC	30.0	3	High Sensitivity	Axicom	PB383-ND	1.82	1.60	1.45	V23105A5001A201			
		9 VDC	16.6				PB1077-ND NEW!	1.82	1.60	1.45	V23105A5006A201			
		12 VDC	12.5				PB384-ND	1.82	1.60	1.45	V23105A5003A201			
		24 VDC	6.25				PB385-ND	1.97	1.73	1.56	V23105A5005A201			
		5 VDC	40.0				3	Medium Sensitivity	Axicom	PB386-ND	1.82	1.60	1.45	V23105A5301A201
		12 VDC	16.7							PB387-ND	1.82	1.60	1.45	V23105A5303A201
	24 VDC	8.33	PB388-ND	1.97	1.73	1.56				V23105A5305A201				
	48 VDC	4.16	PB389-ND	2.74	2.40	2.17	V23105A5307A201							
	5 VDC	80.6	3	Medium-Low Sensitivity	Axicom	PB1076-ND NEW!	1.80	1.58	1.43	V23105A5401A201				
	12 VDC	33.3				PB1055-ND NEW!	1.80	1.58	1.43	V23105A5403A201				
	24 VDC	16.6				PB1054-ND NEW!	1.92	1.68	1.52	V23105A5405A201				
	48 VDC	8.3	PB1075-ND NEW!	2.69	2.36	2.13	V23105A5407A201							
5 VDC	138.8	3	Low Sensitivity	Axicom	PB1074-ND NEW!	1.80	1.58	1.43	V23105A5501A201					
12 VDC	42.8				PB1073-ND NEW!	1.80	1.58	1.43	V23105A5503A201					
24 VDC	22.8				PB1072-ND NEW!	1.92	1.68	1.52	V23105A5505A201					
V23026 / P1 Series — Miniature Relay (Up to 1 Billion Operations!)														
16A	SPDT	5 VDC	13.5	1	Through-Hole Terminal	Axicom	PB282-ND	4.20	3.88	3.33	V23026A1001B201			
		12 VDC	5.3				PB283-ND	4.20	3.88	3.33	V23026A1002B201			
		24 VDC	5.3				PB284-ND	4.51	3.95	3.58	V23026A1004B201			
16B	SPDT	5 VDC	16.0	1	SMT Terminal	Axicom	PB285CT-ND†	4.61	4.04	3.65	V23026D1021B201			
		5 VDC	16.0				PB285TR-ND‡	1152.00/480			V23026D1021B201			
		12 VDC	6.6				PB286CT-ND†	4.61	4.04	3.65	V23026D1022B201			
	12 VDC	6.6	PB286TR-ND‡	1152.00/480			V23026D1022B201							
	16B	SPDT	5 VDC	16.0	1	SMT Terminal	Axicom	PB287CT-ND†	4.97	4.35	3.94	V23026D1024B201		
			24 VDC	5.3				PB287TR-ND‡	5961.60/2,400			V23026D1024B201		

† Cut Tape ‡ Tape and Reel